

BRIHANMUMBAI MUNICIPAL CORPORATION

Hydraulic Engineer's Department (O.C. Division)

E-TENDER FOR

Name of Work: : **Servicing & Overhauling of electrical actuators, gearbox & head stock units of various butterfly valves at Valve Maint. Section M-III A Panjrapur.**

Maha-tender Bid : **2024_MCGM_1048459**
document no.

Web site : **www.mahatenders.gov.in**

Office of : **Dy.Hydraulic Engineer(M&E)M-IIIA,P.P.**

Administrative Building, 2nd Floor,
Panjrapur Water Treatment Plant,
Post: Vadpa, Taluka: Bhiwandi,
District: Thane. PIN -421302.

Mail ID : - dyhe3appc.he@mcm.gov.in

Prepared by	Checked by	Verified by	Approved by
Sd/ (M. M. Gosavi)	Sd/- (S. B. Godase)	Sd/- (B.V. Sherekar)	Sd/- (A. S. Bhoir)
J.E./S.E.(VM) M-3A, Panj	A.E.(VM) M-3A, Panj I/c	E.E.(M&E) WTP M-3A, Panj I/c	Dy.H.E.(M&E) M-3 A, P.P.

INDEX

SECTION	DESCRIPTION	PG-NO.
1	E-TENDER NOTICE	3-8
2	ELIGIBILITY CRITERIA	9-13
3	DISCLAIMER	14-16
4	INTRODUCTION	17-18
5	E-TENDER ONLINE SUBMISSION PROCESS	19-22
6	INSTRUCTIONS TO APPLICANTS	23-49
7	SCOPE OF WORK	50-52
8	BILL OF QUANTITIES	53-54
9	GENERAL CONDITIONS OF CONTRACT	55-109
10	TECHNICAL SPECIFICATION	110-122
11	FRAUD AND CORRUPT PRACTICES	123-126
12	PRE-BID MEETING	127-128
13	LIST OF APPROVED BANKS	129-131
14	APPENDIX	132-157

SECTION - 1

E-TENDER NOTICE

BRIHANMUMBAI MUNICIPAL CORPORATION

Hydraulic Engineer's Department

Dy.HE/M&E/ 1535/MIIIA/ Panjrapur Dt.03.07.2024

Maha-tender Bid No. 2024_MCGM_1048459

e-TENDER NOTICE

Sub : Servicing & Overhauling of electrical actuators, gearbox & head stock units of various butterfly valves at Valve Maint. Section M-III A Panjrapur.

The Brihanmumbai Municipal Corporation (BMC) invites e-tender on item rate basis to appoint Contractor for the aforementioned work from contractors of reputed, multidisciplinary engineering organizations i.e. eminent firm, Proprietary / Partnership Firms / Private Limited Companies / Public Limited Companies / Companies registered under the Indian companies act 2013, the contractors registered with the Brihanmumbai Municipal Corporation (BMC) in **Class 'A' as per new registration in Either Mechanical or Electrical category and from the contractors / firms equivalent and superior classes registered in Central or State Government / Semi Govt. Organization / Central or State Public Sector Undertakings** will be allowed subject to condition that, the contractors who are not registered with BMC will have to apply for registering their firm within three months time period from the award of contract, otherwise their Bid Security i.e. E.M.D. (Earnest Money Deposit) will be forfeited / recovered and an amount equal to Registration Fee of respective class will be recovered as penalty.

Bidding Process will comprise of THREE stages.

The application form can be downloaded from e-procurement system of Government of Maharashtra (Mahatenders) (<http://mahatenders.gov.in>). The applicants not registered with BMC are mandated to get registered (Vendor Registration) with BMC for e-tendering process & obtain login credentials to participate in the online bidding process.

To download the application form, for those applicants not having vendor registration, need to apply first for vendor registration at the office of Account Officer (FAR), 3rd floor, Municipal Headquarter.

For e-Tendering registration, enrollment for digital signature certificates and user manual, please refer to respective links provided in 'Tenders' tab. Vendors can get digital signature from any one of the Certifying Authorities (CA's) licensed

by controller of certifying authorities namely, Safes crypt, IDRBT, National informatics center, TCS, USTOMS, MTNL, GNFC and e- Mudhra,CA.

Bidder should note that the Tender Scrutiny fee of Rs. **6600/-** + 18 % GST will be payable immediately after opening of Packet A & B and before opening of price bid ('C' packet) in any of the Ward Citizens Facilitation Centers (CFCs) as per Circular No. CA/FRG/03 dt. 11.05.2023.

Name and location of work	Contract period	Estimated Cost of Project
Servicing & Overhauling of electrical actuators, gearbox & head stock units of various butterfly valves at Valve Maint. Section M-III A Panjrapur.	04 Months	Not Applicable being item rate tender

While submitting duly filled tender document through <https://mahatenders.gov.in>, bidder needs to pay total EMD amounting of **Rs.25,475/-** through payment gateways of GoM on URL <http://mahatenders.gov.in>. The bidder shall upload scan copy of online paid EMD along with the bid submission in packet 'A'. The Bid shall be summarily rejected if it is not accompanied by the Earnest Money Deposit as mentioned above. The tender is available on tendering website <https://mahatenders.gov.in>. as mentioned in the Header Data of the tender.

The Applicant has to prepare & submit Tender Documents Online on or before last date of submission as mentioned in tender notice.

- The Applicant should upload the documents in readable form, He should take trial of uploads by taking printout. The unreadable documents shall be treated as null & void. The remaining documents shall be evaluated. The decision of opening Authority regarding this will be binding to all applicants.

- The Municipal Commissioner reserves the right to reject all or any of the e- tender(s) without assigning any reasons at any stage.

- This tender document is not transferable.

Packet A, B & C shall be opened on dates as mentioned in header data. All the responsive and eligible bidders if they so wish can be present at the time of opening of bids, in the office of Dy.Hydraulic Engineer (M&E) M-3A, Pise Panjrapur. The Packet C shall be opened if bids submission in Packet A & B satisfies/includes all the requirements and same are found acceptable to the Authority.

The Municipal Commissioner reserves the right to reject all or any of the e-tender(s) without assigning any reasons at any stage.

The dates and time for submission and opening the bids are as shown in the Header Data. If there are any changes in the dates the same will be displayed on the BMC Portal. (<http://portal.mcgm.gov.in>) as well as mahatenders.gov.in. The Applicants interested for the above referred works may contact the Dy.Hydraulic Engineer (M&E) M-3 A, Pise Panjrapur at the following address on any working day during office hours.

Office of : Dy.Hydraulic Engineer(M&E)M-3 A,P.P.
Administrative Building, 2nd Floor,
Panjrapur Water Treatment Plant,
Post: Vadpa, Taluka: Bhiwandi,
District: Thane. PIN -421302.
E-mail ID:- dyhe3appc.he@mcgm.gov.in

The applicants may wish to visit the site under reference located at Panjrapur Water Treatment Plant, Post: Vadpa, Taluka: Bhiwandi, District: Thane. PIN -421302 and can collect the information of the present status from the department who has invited the bids. The BMC reserves the rights to accept any of the application or reject any or all the application received for above works, without assigning any reasons thereof. The information regarding above subject matter is available on e-Tendering website <https://mahatenders.gov.in>.

Tenderers are requested to submit and upload the tenders in time on or before the stipulated day so as to avoid rush at the closing hours. BMC will not be responsible for poor connectivity of network / internet services / connectivity of servers / snag in system / breakdown of network / or any other interruptions. If any online information uploaded but not received by Bid creator (BMC) within stipulated time limit, BMC will not be held responsible at any cost and such bids cannot be validated. Any online intimation / information asked to be submitted by Bidders /Contractors or sent to bidders/ Contractors, if not receiving or bounced back at the receiving end due to any problem in the server or connectivity, BMC will not be held responsible.

Bidders are also advised to refer "Bidders Manual Kit" available at https://mahatenders.gov.in/nicgep/app?page=BiddersManualKit&service_page for further details about the e-tendering process.

For any help, in the e-Tendering process, can be availed by dialling help-desk number 022- 22046934/22837339 from 11.30 AM to 5.00 PM on all working days. Email: support-eproc@nic.in

SPECIAL NOTE: TENDERERS ARE REQUESTED TO GO THROUGH THE e-TENDER GUIDELINES ON NIC PORTAL (<https://mahatenders.gov.in>). For registration, enrollment for digital signature certificate & user manual, please refer to respective links provided in e-tendering tab. The vendors can get digital signature from any one of the Certifying Authorities (CA's) licensed by the Controller of Certifying Authorities namely Safes crypt, IDRBT, National Informatics Centre, TCS, Customs, MTNL, GNFC and e- Mudhra.

Sd/-

Dy.Hydraulic Engineer (M&E)

M-3 A, Pise Panjrapur

Header Data

Tender ID	2024_MCGM_1048459
Name of Organization	Brihanmumbai Municipal Corporation
Subject	Servicing & Overhauling of electrical actuators, gearbox & head stock units of various butterfly valves at Valve Maint. Section M-III A Panjrapur.
Scrutiny Fee	Rs. 6,600/- + 9% SGST + 9% CGST
Cost of E-Tender (Estimated Cost)	Not Applicable being item rate tender
Bid Security Deposit / EMD	Rs. 25,475/- through payment gateways of GoM on URL http://mahatenders.gov.in .
Date of issue and sale of tender	10.07.2024 from 11:00 Hrs
Last date & time for sale of tender	24.07.2024 up to 16:00 Hrs
Receipt of Bid Security Deposit & Submission of Packet A, B & Packet C (Online)	24.07.2024 up to 16:00 Hrs
Pre-Bid Meeting	NA
Opening of Packet A	25.07.2024 after 16:01 Hrs
Opening of Packet B	26.07.2024 after 16:10 Hrs.
Opening of Packet C	01.08.2024 after 15:00 Hrs.
Website	https://mahatenders.gov.in
Address for communication	Office of the Dy.H.E.(M&E) M-3A, P.P., Administrative Building, 2 nd Floor, Panjrapur Water Treatment Plant, Post: Vadpa, Taluka: Bhiwandi, District: Thane. PIN -421302. E-mail ID:- dyhe3appc.he@mcmgm.gov.in

This tender document is not transferable.

The BMC reserves the rights to accept any of the application or reject any or all the application received for above subject without assigning any reason thereof.

**Sd/-
Dy.H E (M&E) M-III A PP**

SECTION 2
ELIGIBILITY CRITERIA

ELIGIBILITY CRITERIA

1. For Regular, Routine and Maintenance Work

1.1 Technical Capacity:

1.1.1 The tenderer shall be Original Equipment Manufacturer (OEM) or authorized representative of OEM. They should have satisfactorily completed the work of similar nature in BMC /Semi Govt. /Govt. & Public Sector Organizations during last seven (7) years ending last day of month previous to the one in which bids are invited.

a) Three similar completed works each of value not less than the value equal to Rs.7,64,125/- or equivalent to Indian Rupees for work carried out elsewhere.

OR

b) Two similar completed works each of value not less than the value equal to Rs.8,91,475/- or equivalent to Indian Rupees for work carried out elsewhere.

OR

c) One completed work of value equal and or not less than Rs. 12,73,535/- or equivalent to Indian Rupees for work carried out elsewhere.

The value of **completed** works shall be brought to current costing level by enhancing the actual value of work at compound rate of 10 % per annum; calculated from the date of completion to last date of receipt of applications for tenders.

***In case of ongoing works to be considered, the bidder must have received payment bills of 80% of the contract sum for the work/works executed last day of month**

previous to the one in which bids are invited.

1.1.2 Tenderer shall be **butterfly Valve gear box's/ actuators Original Equipment Manufacturer (OEM) OR their authorized representative.** If the bidder is not manufacturer, then bidder has to mandatorily upload scanned copy of the following:

- a) **Butterfly Valve gear box's/ actuator Original Equipment Manufacturers (OEM)'s authorization letter** shall be submitted strictly as per respective format only, mentioned in this SBD and duly filed, signed & sealed by the Valve gear box's Original Equipment Manufacturer (OEM)

All the above required documents shall be strictly as per the given formats only, to be uploaded in packet A/B, failing which tenders offer shall be treated as non-responsive and out rightly rejected.

1.2 Financial capacity

Achieved average annual financial turnover as certified by 'Chartered Accountant' equal to **Rs.7,64,125/-** in **last three (3) financial years** immediately preceding the Financial Year in which bids are invited.

- a) To ascertain this, tenderer(s) shall furnish /upload the financial statement (Audited balance sheet) duly certified by Chartered Accountant.
- b) The turnover can be enhanced by 10% every year to bring the present level.

1.3 Similar Experience:

For assessing the technical capacity of Regular, Routine and Maintenance works; Similar work shall mean, the completed ~~or ongoing~~ works of **"Repair/Replace/SITC/Servicing of butterfly valve gear box or Actuator of valve"** in Brihanmumbai Municipal Corporation, (BMC) /Semi Govt. /Govt. / Public Sector Organizations.

~~2 For Original and New construction work~~

2.1 Technical Capacity (Project Experience)

~~The tenderer(s) in their own name should have satisfactorily executed the work of similar nature Brihanmumbai Municipal Corporation, (BMC)/Semi Govt. /Govt. & Public Sector Organizations during last seven (7) years ending last day of month previous to the one in which bids are invited as a prime Contractor (or as a nominated sub-Contractor, where the subcontract had involved similar nature of work as described in the scope of works in this bid document, provided further that all other qualification criteria are satisfied)~~

- ~~a) **Three similar completed** works or currently executing three works of similar nature **each** costing of estimated cost.*~~

~~-OR~~

- ~~b) **Two similar completed** works or currently executing two works of similar nature **each** costing of estimated cost.*~~

~~OR~~

- ~~c) **One completed** work or currently executing one work of similar nature of aggregate of estimated cost.*~~

~~The value of executed works shall be brought to current costing level by enhancing the actual value of work at compound rate of 10 % per annum; calculated from the date of completion to last date of receipt of applications for tenders.~~

~~*In case of ongoing works to be considered, the bidder must have received payment bills of 80% of the contract sum for the work/works executed last day of month previous to the one in which bids are invited.~~

2.2 Financial Capacity

~~Achieved a average annual financial turnover as certified by 'Chartered Accountant' (in all classes of civil engineering construction works only) equal to of the estimated cost of work in **last three (3) financial years** immediately preceding the Financial Year in which bids are invited.~~

~~⊕ To ascertain this, tenderer(s) shall furnish /upload the financial statement (Audited balance sheet) duly certified by Chartered Accountant.~~

~~⊕ The turnover can be enhanced by 10% every year to bring the present level.~~

2.3 ~~Similar work experience:~~

C) Bid Capacity: **(Not Applicable for this tender)**

The bid capacity of the prospective bidders will be calculated as under:

$$\text{Assessed Available Bid Capacity} = (A * N^2 - B)$$

Where,

A = Maximum value of Civil Engineering works executed in any one year (year means Financial year) during **the last five years** (updated to the price level of the Financial year in which bids are received at a rate of 10% per year) taking into account the completed as well as works in progress.

N = Number of years prescribed for completion of the Project/Works, **excluding monsoon period**, for which these bids are being invited. (E.g. 7 months = 7/12 year) For every intervening monsoon 0.33 shall be added to N.

B = Value of existing commitments (only allotted works) on the last date of submission of bids as per bidding document and on-going works to be completed during the period of completion of the Project/Works for which these bids are being invited.

Note: The statement showing the value of existing commitments and on-going works as well as the stipulated period of completion remaining for each of the works listed should be attached along with certificates duly signed by the Engineer-in Charge, not below the rank of an Executive Engineer or equivalent.

Even though the bidders meet the above qualifying criteria, they are subject to be disqualified if they have:

-made misleading or false representation in the forms, statements and attachments submitted in proof of the qualification requirements; and/or-Record for poor performance such as abandoning the works, not properly completing the contract, inordinate delays in completion, litigation history, or financial failures etc.

SECTION 3
DISCLAIMER

DISCLAIMER

The information contained in this e-tender document or provided to Applicant(s), whether verbally or in documentary or any other form, by or on behalf of the Brihanmumbai Municipal Corporation (BMC), hereafter also referred as “The Authority “, or any of its employees or advisors, is provided to Applicant(s) on the terms and conditions set out in this e-tender and such other terms and conditions subject to which such information is provided.

This e-tender includes statements, which reflect various assumptions and assessments arrived at by the Brihanmumbai Municipal Corporation (BMC) in relation to the Project. Such assumptions, assessments and statements do not purport to contain all the information that each Applicant may require. This e-tender may not be appropriate for all persons, and it is not possible for the Brihanmumbai Municipal Corporation (BMC), its employees or advisors to consider the investment objectives, financial situation and particular needs of each party who reads or uses this e-tender. The assumptions, assessments, statements and information contained in this e-tender may not be complete, accurate, adequate or correct. Each Applicant should therefore, conduct its own investigations and analysis and should check the accuracy, adequacy, correctness, reliability and completeness of the assumptions, assessments, statements and information contained in this e-tender and obtain independent advice from appropriate sources.

Information provided in this e-tender to the Applicant(s) is on a wide range of matters, some of which may depend upon interpretation of law. The information given is not intended to be an exhaustive account of statutory requirements and should not be regarded as a complete or authoritative statement of law. The Brihanmumbai Municipal Corporation (BMC) accepts no responsibility for the accuracy or otherwise for any interpretation or opinion on law expressed here.

The Brihanmumbai Municipal Corporation (BMC), its employees and advisors make no representation or warranty and shall have no liability to any person, including any Applicant or Bidder, under any law, statute, rules or regulations or tort, principles of restitution or unjust enrichment or otherwise for any loss, damages, cost or expense which may arise from or be incurred or suffered on account of anything contained in this e-tender or otherwise, including the accuracy, adequacy, correctness, completeness or reliability of the e-tender and any assessment, assumption, statement or information contained therein or deemed to form part of this e-tender or arising in any way with pre-qualification of Applicants for participation in the Bidding Process. The

Brihanmumbai Municipal Corporation (BMC) also accepts no liability of any nature whether resulting from negligence or otherwise howsoever caused arising from reliance of any Applicant upon the statements contained in this e-tender.

The Brihanmumbai Municipal Corporation (BMC) may, in its absolute discretion but without being under any obligation to do so, update, amend or supplement the information, assessment or assumptions contained in this e-tender.

The issue of this e-tender does not imply that the Brihanmumbai Municipal Corporation (BMC) is bound to select and short-list pre-qualified Applications for Bid Stage or to appoint the selected Bidder or Concessionaire, as the case may be, for the Project and the Brihanmumbai Municipal Corporation (BMC) reserves the right to reject all or any of the Applications or Bids without assigning any reasons whatsoever.

The Applicant shall bear all its costs associated with or relating to the preparation and submission of its Application including but not limited to preparation, copying, postage, delivery fees, expenses associated with any demonstrations or presentations which may be required by The Brihanmumbai Municipal Corporation (BMC) or any other costs incurred in connection with or relating to its Application. All such costs and expenses will remain with the Applicant and the Brihanmumbai Municipal Corporation, (BMC) shall not be liable in any manner whatsoever for the same or for any other costs or other expenses incurred by an Applicant in preparation or submission of the Application, regardless of the conduct or outcome of the Bidding Process.

SECTION 4
INTRODUCTION

INTRODUCTION

Panjrapur Water Treatment Plant was commissioned in the year 1979 and since then it is in continuous service. Most of the portion of main pipelines in complex premises is underground and various sizes of Butterfly valves viz. 1200 mm, 1800 mm, 2400 mm etc. are provided on these main lines at various locations in Panjrapur complex for isolation & inter-connection purpose. Some of the above mentioned valves are installed in chambers for underground pipelines.

The B-10, B-11, B-12, B-13, B-14, I-3, H-31, H-32, H-33, H-34 valve gear boxes and B-12, B-13 & I-3 electrical actuators are required to be serviced & overhauled on the priority basis.

The B-10 & B-11 (2400 mm dia. BFV) are Kirloskar make manually operated butterfly valves which are on the C/C of Inlet of CCT- Compt- I & CCT Compt.-II (Adjacent to inlet of CCT- Compt.I) and C/C of Inlet of CCT Compt.-I & CCT Compt.-II (Adjacent to inlet of CCT Compt.-II). B-12, B-13 (2400 mm dia. BFV) are Kirloskar make electrical actuator operated & B-14 (2400 mm dia. BFV) is Kirloskar make manually operated butterfly valve which are Between CCT Comptt.-I to Pumping station PPC Sump I, Between CCT Comptt.-II to Pumping station PPC Sump II & on C/C of Sump-I & Sump-II (adjacent to sump-I) respectively. The I-3 (2200 mm dia. BFV) is Fouress Boving make electrical actuator operated butterfly valve which is installed on the Raw water incoming line from Pise to Settling tank Mumbai III-A. The H-31, H-32, H-33 & H-34 (1200 mm dia. BFV) are Kirloskar make manually operated butterfly valve which are on C/C on Stage I, Stage-II & stage III delivery mains..

The valves B-10, B-11, B-12, B-13, B-14, H-31, H-32, H-33, H-34 & I-3 are installed in 1984-85 & 2005 respectively. These valves are frequently operated by Valve Maint. Section as per instruction received from MBR section. No major repair or servicing of these valves & head-stock units other than routine maintenance have been carried out since their installation.

SECTION 5
E-TENDERING ONLINE
SUBMISSION PROCESS

e-TENDERING ONLINE SUBMISSION PROCESS

1. The e-Tendering process of BMC is enabled through NIC's Mahatender Portal <https://mahatenders.gov.in/nicgep/app>
2. All the tender notices including e-Tender notices will be published on NIC's Mahatender portal <https://mahatenders.gov.in/nicgep/app>
3. All the information documents are published under the NIC's Mahatender portal.
4. All the interested vendors are required to be registered with NIC's Mahatender portal for e-Tendering process. Vendors not registered with NIC's Mahatender portal can apply online by clicking the link online registration section of NIC's Mahatender portal. "<https://mahatenders.gov.in/nicgep/app?component=%24WebHomeBorder.%24WebRightMenu.%24DirectLink&page=Home&service=direct&session=T>"
5. Manual offers sent by post/Fax or in person will not be accepted against e-tenders even if these are submitted on the Firm's letter head and received in time. All such manual offers shall be considered as invalid offers and shall be rejected summarily without any consideration.
6. Please read the tender document carefully "Instructions and Articles of Agreement" for supply of general items. All documents that are required to be submitted as part of eligible & technical bid, need to be uploaded in the Packets provided for this purpose and commercial bid need to be filled online.
7. This document (Instructions to vendors) and the 'Articles of Agreement' document which are available in the tender document make part of all tender documents unless stated otherwise in the tender document
8. Affixing of digital signature for the bid document while submitting the bid, shall be deemed to mean acceptance of the terms and conditions contained in the tender document as well as confirmation of the bid/bids offered by the vendor which shall include acceptance of special Directions / terms and conditions if any, incorporated.
9. All the documents and data submitted by vendors online shall be digitally signed. The system will prompt for digital signature certificate. It is mandatory for the vendors willing to participate in tender process to procure digital signature certificate of class-2/class-3 and Company Type.
10. Digital Signature Certificates: Vendors can procure digital signature certificate from any of the certifying authorities (CA) in India. However, for the convenience of the vendors, a team from one of the certifying authorities is made available to help them for obtaining digital signature certificates. Interested vendors may approach helpdesk for details.
11. The browser settings required for digitally signing the uploaded documents are listed in the link "**Site Compatibility**" available on Mahatender Portal

12. In order to participate in the tender process, the registered vendors need to follow the steps given in the section “Guidelines for hassle free Bid submission” and “Bidders Manual Kit-Open Source Software Link” available on Mahatender portal

Open the e-Tendering application by clicking the link available in on <https://www.mahatenders.gov.in/>

Make the Browser Settings as per the guidance available in “**Site Compatibility**” section. Carry out the necessary settings and root certificates installation as mentioned in the document. Vendors to note that the computer user should have administrative rights to the computer to be able to work with e-Tendering application.

Login to the application with your credentials and follow the instructions given in the document “User Manual for Vendors - Bidding Process” which is available in the “For Partners” section of Mahatender Portal.

Instead of Tender fee Scrutiny fee with 18% GST will be applicable .The scrutiny fee will be payable immediately after opening of Packet A & B and before opening of price bid at any CFC centre of BMC

Pay EMD and other charges, where applicable, as per the instructions given in the Tender Notice and / or Tender Document.

Upload the administrative & technical bid documents. System will prompt for digital signature certificate while uploading the document.

Ensure that documents are uploaded properly by downloading them after uploading.

Submitting the commercial bid by filling in the values on the screen. All the inputs given on this screen need to be digitally signed.

The administrative, technical and commercial bids can be submitted only online on or before the due date and due time mentioned for submission of bids.

The bids can be modified till the end date and time for bid submission. However, if a new version of a document is to be uploaded, please ensure to delete the old version.

Ensure that bid is submitted by ensuring that the “status” of the bid in the initial bids listing screen is “Bid submitted”.

13. Vendors should ensure to submit their bids well in advance before the due date and due time. Vendors trying to submit the bid at last moment just before due date and due time and failing to do so due to system problems at their end, internet problems, User Id locking problems etc. shall note that no complaints in this regard will be entertained.
14. It is the responsibility of the vendors to maintain their computers, which are used for submitting their bids, free of viruses, all types of malware etc. by installing appropriate anti- virus software and regularly updating the same with virus free signatures etc. Vendors should scan all the documents before uploading the same.

15. The administrative, technical and commercial evaluation documents will be available for all the participating vendors after completion of the evaluation.
16. Additional information can be availed by referring to FAQs in the e-Procurement section of Mahatender portal.
17. For any help, in the e-Tendering process, can be availed by dialing help-desk number 022-24811275/76 (BMC IT Cell) from 10.30 AM to 6.00 PM on all working days of BMC.

Email support- Working hours 10.00 AM to 6.00 PM (Monday to Friday)

Tele Support- Working hours 10.00 AM to 6.00 PM (Monday to Friday)

NOTE- Support will not be available on Public Holiday & Saturday-Sunday

SPECIAL NOTE :

In order to participate in the tender process, the registered vendors need to follow the steps given in the section “Guidelines for hassle free Bid submission” and “Bidders Manual Kit-Open Source Software Link” available on Mahatender portal

For registration, enrollment for digital signature certificate & user manual, please refer to respective links provided in e-tendering tab. The vendors can get digital signature from any one of the Certifying Authorities (CA"s) licensed by the Controller of Certifying Authorities namely Safes crypt, IDRBT, National Informatics Centre, TCS, Customs, MTNL, GNFC and e-Mudhra.

SECTION 6
INSTRUCTIONS TO
APPLICANTS

INSTRUCTIONS TO APPLICANTS

Scope of Application

The Authority wishes to receive Applications for qualification in order to SELECT experienced and capable Applicants for the Bid Stage.

Eligibility of Applicants

The Brihanmumbai Municipal Corporation (BMC) invites e-tender to appoint Contractor for the aforementioned work from contractors of repute, multidisciplinary engineering organizations i.e. eminent firm, Proprietary/ Partnership Firms/ Private Limited Companies/ Public Limited Companies/ Companies registered under the Indian companies act 2013, the contractors registered with the Brihanmumbai Municipal Corporation, (BMC) in **Class 'A' as per new registration** and from the contractors/ firms equivalent and superior classes registered in Central or State Government/Semi Govt.Orgанизation/Central or State Public Sector Undertakings will be allowed subject to condition that, the contractors who are not registered with Brihanmumbai Municipal Corporation will have to apply for registering their firm within three months time period from the award of contract, otherwise their Bid Security i.e. E.M.D (Earnest Money Deposit) will be forfeited/ recovered and an amount equal to Registration Fee of respective class will be recovered as penalty. To be eligible for pre-qualification and short-listing, an Applicant shall fulfill the following conditions of eligibility:

1. For Regular, Routine and Maintenance Work

1.1 Technical Capacity:

1.1.1 The tenderer shall be Original Equipment Manufacturer (OEM) or authorized representative of OEM. They should have satisfactorily completed the work of similar nature in BMC /Semi Govt. /Govt. & Public Sector Organizations during last seven (7) years ending last day of month previous to the one in which bids are invited.

a) Three similar completed works each of value not less than the value equal to Rs.7,64,125/- or equivalent to Indian Rupees for work carried out elsewhere.

OR

b) Two similar completed works each of value not less than the value equal to Rs.8,91,475/- or equivalent to Indian Rupees for work carried out elsewhere.

OR

- c) **One completed work of value equal and or not less than Rs. 12,73,535/- or equivalent to Indian Rupees for work carried out elsewhere.**

The value of **completed** works shall be brought to current costing level by enhancing the actual value of work at compound rate of 10 % per annum; calculated from the date of completion to last date of receipt of applications for tenders.

***In case of ongoing works to be considered, the bidder must have received payment bills of 80% of the contract sum for the work/works executed last day of month previous to the one in which bids are invited.**

- 1.1.2 Tenderer shall be **butterfly Valve gear box's/ actuators Original Equipment Manufacturer (OEM) OR their authorized representative**. If the bidder is not manufacturer, then bidder has to mandatorily upload scanned copy of the following:

- a) **Butterfly Valve gear box's/ actuators Original Equipment Manufacturers (OEM)'s authorization letter** shall be submitted strictly as per respective format only, mentioned in this SBD and duly filed, signed & sealed by the Valve gear box's Original Equipment Manufacturer (OEM)

All the above required documents shall be strictly as per the given formats only, to be uploaded in packet A/B, failing which tenders offer shall be treated as non-responsive and out rightly rejected.

1.2 Financial capacity

Achieved average annual financial turnover as certified by 'Chartered Accountant' equal to **Rs. 7,64,125/-** in **last three (3) financial years** immediately preceding the Financial Year in which bids are invited.

- a) To ascertain this, tenderer(s) shall furnish /upload the financial

statement (Audited balance sheet) duly certified by Chartered Accountant.

- b) The turnover can be enhanced by 10% every year to bring the present level.

1.3 Similar Experience:

For assessing the technical capacity of Regular, Routine and Maintenance works; Similar work shall mean, the completed ~~or ongoing~~ works of “**Repair/ Replace/ SITC/ Servicing of butterfly valve gear box or Actuator of valve**” in Brihanmumbai Municipal Corporation, (BMC) /Semi Govt. /Govt. / Public Sector Organizations.

2 ~~For Original and New construction work~~

2.1 ~~Technical Capacity (Project Experience)~~

~~The tenderer(s) in their own name should have satisfactorily executed the work of similar nature Brihanmumbai Municipal Corporation, (BMC)/Semi Govt. /Govt. & Public Sector Organizations during last seven (7) years ending last day of month previous to the one in which bids are invited as a prime Contractor (or as a nominated sub-Contractor, where the subcontract had involved similar nature of work as described in the scope of works in this bid document, provided further that all other qualification criteria are satisfied)~~

- a) ~~Three similar **completed** works or currently executing three works of similar nature **each** costing of estimated cost.*~~

~~OR~~

- b) ~~Two similar **completed** works or currently executing two works of similar nature **each** costing of estimated cost.*~~

~~OR~~

- c) ~~One **completed** work or currently executing one work of similar nature of aggregate of estimated cost.*~~

~~The value of executed works shall be brought to current costing level by enhancing the actual value of work at compound rate of 10 % per annum; calculated from the date of completion to last date of receipt of applications for tenders.~~

~~*In case of ongoing works to be considered, the bidder must have received payment bills of 80% of the contract sum for the work/works executed last day of month previous to the one in which bids are invited.~~

~~2.2 Financial Capacity~~

~~Achieved a average annual financial turnover as certified by 'Chartered Accountant' (in all classes of civil engineering construction works only) equal to of the estimated cost of work in **last three (3) financial years** immediately preceding the Financial Year in which bids are invited.~~

~~⊕ To ascertain this, tenderer(s) shall furnish /upload the financial statement (Audited balance sheet) duly certified by Chartered Accountant.~~

~~⊕ The turnover can be enhanced by 10% every year to bring the present level.~~

~~2.3 Similar work experience:~~

C) Bid Capacity: (Not Applicable for this tender)

The bid capacity of the prospective bidders will be calculated as under:

$$\text{Assessed Available Bid Capacity} = (A * N * 2 - B)$$

Where,

A = Maximum value of Civil Engineering works executed in any one year (year means Financial year) during **the last five years** (updated to the price level of the Financial year in which bids are received at a rate of 10% per year) taking into account the completed as well as works in progress.

N = Number of years prescribed for completion of the Project/Works, **excluding monsoon period**, for which these bids are being invited. (E.g. 7 months = 7/12 year) For every intervening monsoon 0.33 shall be added to N.

B = Value of existing commitments (only allotted works) on the last date of submission of bids as per bidding document and on-going works to be completed during the period of completion of the Project/Works for which these bids are being invited.

Note: The statement showing the value of existing commitments and on-going works as well as the stipulated period of completion remaining for each of the works listed should be attached along with certificates duly signed by the Engineer-in Charge, not below the rank of an Executive Engineer or equivalent.

Even though the bidders meet the above qualifying criteria, they are

subject to be disqualified if they have:

- made misleading or false representation in the forms, statements and attachments submitted in proof of the qualification requirements; and/or- Record for poor performance such as abandoning the works, not properly completing the contract, inordinate delays in completion, litigation history, or financial failures etc.

2.0 For Original and New construction work :

2.1 Technical Capacity (Project Experience):

~~The tenderer(s) in their own name should have satisfactorily executed the work of similar nature Brihanmumbai Municipal Corporation, (BMC) /Semi Govt. /Govt. & Public Sector Organizations during **last seven (7) years** ending last day of month previous to the one in which bids are invited as a prime Contractor (or as a nominated sub-Contractor, where the subcontract had involved similar nature of work as described in the scope of works in this bid document, provided further that all other qualification criteria are satisfied)~~

~~a) **Three similar completed** works or currently executing three works of similar nature **each** costing of estimated cost.*~~

~~—OR~~

~~b) **Two similar completed** works or currently executing two works of similar nature **each** costing of estimated cost.*~~

~~OR~~

~~e) **One completed** work or currently executing one work of similar nature of aggregate of estimated cost.*~~

~~The value of executed works shall be brought to current costing level by enhancing the actual value of work at compound rate of 10 % per annum; calculated from the date of completion to last date of receipt of applications for tenders.~~

~~***In case of ongoing works to be considered, the bidder must have received payment bills of 80% of the contract sum for the work/works executed last day of month previous to the one in which bids are invited.**~~

2.2 Financial Capacity

~~Achieved a average annual financial turnover as certified by 'Chartered Accountant' (in all classes of civil engineering construction works only) equal to of the estimated cost of work in **last three (3) financial years**~~

immediately preceding the Financial Year in which bids are invited.

~~① To ascertain this, tenderer(s) shall furnish /upload the financial statement (Audited balance sheet) duly certified by Chartered Accountant.~~

~~① The turnover can be enhanced by 10% every year to bring the present level.~~

C) Bid Capacity: (Not Applicable for this tender)

The bid capacity of the prospective bidders will be calculated as under:

Assessed Available Bid Capacity = (A* N* 2 - B) , Where,

A = Maximum value of Civil Engineering works executed in any one year (year means Financial year) during **the last five years** (updated to the price level of the Financial year in which bids are received at a rate of 10% per year) taking into account the completed as well as works in progress.

N = Number of years prescribed for completion of the Project/Works, **excluding monsoon period**, for which these bids are being invited. (E.g. 7 months = 7/12 year) For every intervening monsoon 0.33 shall be added to N.

B = Value of existing commitments (only allotted works) on the last date of submission of bids as per bidding document and on-going works to be completed during the period of completion of the Project/Works for which these bids are being invited.

Note: The statement showing the value of existing commitments and on-going works as well as the stipulated period of completion remaining for each of the works listed should be attached along with certificates duly signed by the Engineer-in Charge, not below the rank of an Executive Engineer or equivalent.

Even though the bidders meet the above qualifying criteria, they are subject to be disqualified if they have:

- made misleading or false representation in the forms, statements and attachments submitted in proof of the qualification requirements; and/or- Record for poor performance such as abandoning the works, not properly completing the contract, inordinate delays in completion, litigation history, or financial failures etc.

D. Equipment Capabilities as required for this work:

a) Regular and Routine works:

The successful bidder will make the arrangements of the required equipment on the day of commencement or with respect to the progress of the

work in phases, as per the instructions of site in charge. The successful bidder and, to that effect he **will ensure commitment on an undertaking on Rs.500 stamp paper to be submitted along with the Bid in Packet B. However, this condition in no way shall dilute the respective condition in Registration Rules of Brihanmumbai Municipal Corporation. (if applicable)**

b) New and Original Works:- (Not applicable to this tender)

~~The bidder should, undertake their own studies and furnish with their bid, a detailed construction planning and methodology supported with assessment study of requirements of equipment/plants & machineries to allow the employer to review their proposal. The bidder will ensure his commitment to make the arrangements of the required equipment on the day of commencement or with respect to the progress of the work in phases, as per the instructions of site in charge on an undertaking on Rs.500 stamp paper to be submitted along with the Bid in Packet B. However, this condition in no way shall dilute the respective condition in Registration Rules of Brihanmumbai Municipal Corporation, (BMC).~~

e) Special Works: ~~The concerned Ch. Eng. shall enlist the equipments in the tender document justified for the project and ensure the capacity of the bidder for the same with the approval of concerned AMC.~~

Note: Bidders shall submit the undertaking for equipment capability and other undertakings as such on a single **Rs.500/- stamp paper** to be submitted along with the bid in packet B.

E. Technical Personal**General Guidelines for Fixing Requirement of Technical Staff**

Cost of work (Rs in Crore)	Requirement of Technical Staff		Min Experien ce(year)	Designation
	Qualification	Number		
5 to 10	i) Graduate Engineer	1	5	Principal Technical Representative Project/Site Engineer
	ii) Graduate Engineer or Diploma Engineer	2	2	
		2	5	
More than 1.5 to 5	i) Graduate Engineer	1	5	Principal Technical Representative Project/Site Engineer Billing Engineer
	ii) Graduate Engineer or Diploma Engineer	1	2	
		1	5	
Up to 1.5	i) Graduate Engineer or Diploma Engineer	1	2	Principal Technical Representative Project/Site Engineer/ Billing Engineer
		1	5	

Notes- 1. "Cost of work", in table above, shall mean the agreement amount of the work.

2. Rate of recovery in case of non-compliance of the clause be stipulated at following rates:-

Sr. No	Qualification	Experience (years)	Rate of Recovery
1	Project Manager with degree	10	Rs.30000/-p.m.
2	Graduate Engineer	5	Rs.25000/-p.m.
3	Graduate Engineer	2	Rs.15000/-p.m.
4	Diploma Engineer	5	Rs.15000/-p.m.

F. TIME PERIOD OF THE PROJECT:

Entire project should be completed and delivered within **04 months** of time from the date of award of contract.

The time allowed for carrying out the work as entered in the Tender shall be strictly observed by the Contractor and shall be reckoned from the date on which the **Purchase Order (P.O.)** is given to the Contractor. The work shall throughout the stipulated period of the Contract be proceeded with all due diligence as time being deemed to be the essence of the contract on the part of the Contractor. On failing to do so, the Contractor shall pay as compensation an amount which shall be governed as per Clause -8(e) of Standard General Conditions of Contract.

The Contractor should complete the work as per phase given below

~~¼ of the work in .. ¼ of the time,~~

~~½ of the work in .. ½ of the time,~~

~~¾ of the work in .. ¾ of the time~~

Full of the work in .. Full of the time

Full work shall be completed in **04 months**.

The programme for completion of work shall be a part of the Contract Document in the form of Bar Chart / GANTT Chart. The Contractor is supposed to carry out the work and keep the progress as per Bar Chart / GANTT Chart. The Contractor shall complete the work as per the Schedule given in the Contract and the programme submitted by the Contractor.

G. Contract Execution

All required documents for execution of the contract shall be submitted within 30 days from the date of issue of letter of acceptance. **If the documents are not submitted within the stipulated time a penalty of Rs 5000/- per day will be applicable to the contractor.** All contract documents need to be duly affixed with stamp duty properly signed along with evidence/proof of payment of security/contract deposit/ within 30 days from the date of letter of acceptance received by him.

H. If the amount of the Contract Deposit to be paid above is not paid within 30 days from the date of issue of Letter of Acceptance, the Tender / Contractor already accepted shall be considered as cancelled and legal steps be taken against the contractor for recovery of the amounts.

I. The amount of Security Deposit retained by the Brihanmumbai Municipal Corporation shall be released after expiry of period up to which the contractor has agreed to maintain the work in good order is over. In the event of the contractor failing or neglecting to complete the rectification work within the period up to which the contractor has agreed to maintain the work in good order,

the amount of security deposit retained by Brihanmumbai Municipal Corporation shall be adjusted to-wards the excess cost incurred by the Department on rectification work.

J. Action when whole of security deposit is forfeited: In any case in which under any Clause of this contract, the contractor shall have rendered himself liable to pay compensation amounting to the whole of this security deposit whether paid in one sum or deducted by installments or in the case of abandonment of the work owing to serious illness or death of the contractor or any other cause, the Engineer on behalf of the Municipal Commissioner shall have power to adopt any of the following process, as he may deem best suited to the interest of Brihanmumbai Municipal Corporation –

(a) To rescind the contract (for which recession notice in writing to the contractor under the head of Executive Engineer shall be conclusive evidence) and in that case, the security deposit of the contract shall stand forfeited and be absolutely at the disposal of Brihanmumbai Municipal Corporation.

(b) To carry out the work or any part of the work departmentally debiting the contractor with the cost of the work, expenditure incurred on tools and plant, and charges on additional supervisory staff including the cost of work-charged establishment employed for getting the un-executed part of the work completed and crediting him with the value of the work done departmentally in all respects in the same manner and at the same rates as if it had been carried out by the contractor under the terms of his contract. The certificate of the Executive Engineer as to the costs and other allied expenses so incurred and as to the value of the work so done departmentally shall be final and conclusive against the contractor.

(c) To order that the work of the contractor be measured up and to take such part thereof as shall be un-executed out of his hands, and to give it to another contractor to complete, in which case all expenses incurred on advertisement for fixing a new contracting agency, additional supervisory staff including the cost of work charged establishment and the cost of the work executed by the new contract agency will be debited to the contractor and the value of the work done or executed through the new contractor shall be credited to the contractor in all respects and in the same manner and at the same rates as if it had been carried out by the contractor under the terms of his contract. The certificate of the Executive Engineer as to all the cost of the work and other expenses incurred as aforesaid for or in getting the un-executed work done by the new contractor and as to the value of the work so done shall be final and conclusive against the contractor.

In case the contract shall be rescinded under Clause (a) above, the contractor shall not be entitled to recover or be paid any sum for any work therefore actually performed by him under this contract unless and until the Executive Engineer shall have certified in writing the performance of such work and the amount payable to him in respect thereof and he shall only be entitled to be paid the amount so certified. In the event of either of the courses referred to in Clause (b) or (c) being adopted and the cost of the work executed departmentally or through a new contractor and other allied expenses exceeding the value of such work credited to the contractors amount of excess shall be deducted from any money due to the contractor, by Brihanmumbai Municipal Corporation under the contract or otherwise, howsoever, or from his security deposit or the sale proceeds thereof provided, however, the contractor shall have no claim against Brihanmumbai Municipal Corporation even if the certified value of the work done departmentally or through a new contractor exceeds the certified cost of such work and allied expenses, provided always that whichever of the three courses mentioned in clauses (a), (b) or (c) is adopted by the Executive Engineer, the contractor shall have no claim to compensation for any loss sustained by him by reason of his having purchase or procured any materials or entered in to any engagements or made any advance on account of or with a view to the execution of the work or the performance of the contract.

K. Contract may be rescinded and security deposit forfeited for bribing a public officer contractor becomes insolvent

If the contractor assigns or sublets his contracts or attempt so to do, or become insolvent or commence any proceeding to get himself adjudicated and insolvent or make any composition with his creditors, or attempt so to do or if bribe, gratuity, gift, loan, perquisite, reward or advantage, pecuniary or otherwise, shall either directly or indirectly be given promised or offered by the contractor or any of his servants or agents through any public officer, or person in the employ of Brihanmumbai Municipal Corporation/Govt. in any way relating to his office or employment, or if any such officer or person shall become in any way directly or indirectly interested in the contract the Engineer In-charge may thereupon, by notice in writing rescind the contract and the Security Deposit of the Contractor shall thereupon stand forfeited and be absolutely at the disposal of Brihanmumbai Municipal Corporation and the same consequences shall ensure as if the contract had been rescinded under above clause J hereof; and in addition the contractor shall not be entitled to recover or be paid for any work therefore actually performed under the contract.

Submission of Tenders

PACKET – A

The Packet 'A' shall contain scanned certified copies of the following documents
Scrutiny of this packet will be done strictly with reference to only the scanned copies of Documents uploaded online in packet 'A'

- a) Valid Registration Certificate.
- b) Valid Bank Solvency Certificate of Minimum Solvency amount **Rs. 08 Lakhs** as governed by Registration Rules in force for respective Class of Contractor for Civil and M & E works.
- c) A document in support of Registration under GST Act.as per GST Act as applicable.
- d) Certified copies of valid 'PAN' documents and photographs of Individuals, owners, Karta of Hindu undivided Family, firms, private limited companies, registered co-operative societies, partners of partnership firms and at least two Directors, if number of Directors are more than two in case of Private Limited Companies, as the case may be. However, in case of Public Limited companies, Semi Government Undertakings, Government Undertakings, no 'PAN' documents will be insisted.
- e) Latest Partnership Deed in case of Partnership firm duly registered with Chief Accountant (Treasury) of Brihanmumbai Municipal Corporation.
- f) The tenderer shall pay total **EMD**/Bid Security amounting to Rs.**25,475/-** through payment gateways of GoM on URL <http://mahatenders.gov.in> .
- g) The bidders shall categorically provide their Email-ID in packet 'A'.

NOTE:

- If the tenderer(s) withdraw tender offer during the tender validity period, his 100% (entire EMD Amount) E.M.D shall be forfeited.
- If it is found that the tenderer has not submitted required documents in Packet "A" then, the shortfalls will be communicated to the tenderer through e-mail only and compliance required to be made within a time period of **three working days** otherwise they will be treated as non- responsive.

PACKET – B

The Packet ‘B’ shall contain scanned certified copies of the following documents –

a) The list of similar type of works as stated in Para ‘A’ of Post qualification successfully completed during the last seven years in prescribed proforma, in the role of prime contractor. Information furnished in the prescribed proforma (Proforma – I) shall be supported by the certificate duly self-attested. Documents stating that it has successfully completed during the last seven years at least one contract of similar works as stated in para ‘A’ of post qualification..

b) Annual financial turnover for preceding three financial years as certified by Chartered Accountant preceding the Financial Year in which bids are invited. Copies of Applicants duly audited balance sheet and profit and loss account for the preceding three financial years preceding the Financial Year in which bids are invited. (Proforma – II)

c) Documents stating that, it has access to or has available liquid assets, unencumbered assets, lines of credit and other financial means (independent of any contractual advance payment) sufficient to meet the construction cash flow requirements for the subject contract in the event of stoppage, start-up, or other delay in payment of the minimum 15% of the cost of the work tendered for, net of the Tenderer’s commitment of other contracts (Certificate from Bankers / C.A./Financial Institution shall be accepted as a evidence).

d) The bidder shall give undertaking on **Rs 500/-stamp paper** that it is his/their sole responsibility to arrange the required machinery either owned/on lease or hire basis, at site before start of the work

e) **Copy of Manufacturer's authorization certificate as per attached format in draft tender for authorized dealer who is tenderer.**

i) **Regular and Routine works:** The successful bidder shall make the arrangements of the required equipment on the day of commencement or with respect to the progress of the work in phases, as per the instructions of site in charge. The successful bidder and, to that effect he will ensure commitment on an undertaking on **Rs.500 stamp paper** to be submitted along with the Bid in Packet B. However, this condition in no way shall dilute the respective condition in Registration Rules of Brihanmumbai Municipal Corporation. (If Applicable)

ii) ~~**New and Original Works:** The bidder should, undertake their own studies and furnish with their bid, a detailed construction planning and methodology supported with assessment study of requirements of equipment/plants & machineries to allow the employer to review their proposal. The bidder shall~~

~~ensure his commitment to make the arrangements of the required equipment on the day of commencement or with respect to the progress of the work in phases, as per the instructions of site in charge on an undertaking on Rs.500 stamp paper to be submitted along with the Bid in Packet B. However, this condition in no way shall dilute the respective condition in Registration Rules of Brihanmumbai Municipal Corporation.~~

~~iii) **Special Works:** The concerned Ch.Eng. shall enlist the equipments in the tender document justified for the project and ensure the capacity of the bidder for the same with the approval of concerned AMC.~~

~~iv) Details of works in hand (Proforma VI-A & VI-B) (original), along with copies of work orders & attested copies of percentage of works completed or part thereof (Not applicable)~~

~~v) Statement showing assessed available Bid Capacity. (Not Applicable)~~

~~vi) The undertaking of Rs.500/- stamp paper as per the proforma annexed in Annexure B, C, E & G.~~

~~vii) All undertaking as mentioned in the tender Document~~

Note: Bidders shall submit the undertaking for equipment capability and other undertakings as such on a single Rs.500/- stamp paper

vii) The tenderers shall upload work plan as per the following outline:

- 1 GANTT chart/ PERT/ CPM chart showing the completion of work within prescribed time period, considering major activities.
- 2 Organizational set up envisaged by the contractors.
- 3 Plant & equipment proposed to be deployed for this work.
- 4 ~~Site Offices and Laboratories proposed to be set up.~~
- 5 A note on how the whole work will be carried out (work plan including methodology).
- 6 Quality management plan.
- 7 All the activities in the Scope of Work shall be covered in work plan.

e) Tenderer shall submit the undertaking stating that he will submit licence certification from office of labour commissioner after issue of work order and before commencing the work if the work is allotted to him. (The undertaking of Rs.500/- stamp paper) **(if applicable)**

f) information on litigation history in which tenderer involved (proforma-VII) for last 5 years from date of submission of bid as per direction given in the circular U/No. MGC/F/6565 Dt.25.09.2018.

~~i) The Electrical / Mechanical work shall be got carried out by the civil contractors through the contractors registered with Brihanmumbai Municipal Corporation, (BMC) in Electrical Category. Information about the registered contractors shall be obtained from the office of the Ch.E. (M&E)/ E.E. (Monitoring & Registration Cell). Attested scanned copy of the valid registration certificate in Electrical Category shall be uploaded with the tender along with the undertaking from the registered Electrical Contractor stating his willingness to carry out the tender work.~~

ii) The successful bidder shall submit valid registration certificate under E.S.I.C., Act 1948, if the tenderer has more than 10 employees /persons on his establishment (in case of production by use of energy) and 20 employees /persons on his establishment (in case of production without use of energy) to Brihanmumbai Municipal Corporation as and when demanded. In case of less employees/persons mentioned above then the successful bidder has to submit an undertaking to that effect on Rs. 200 stamp paper as per circular u/no.CA/FRD/I/65 of 30.03.2013.

iii) The successful bidder shall submit valid registration certificate under E.P.F.& M.P., Act 1952, if tenderer has more than 20 employees/persons on his establishment, to Brihanmumbai Municipal Corporation as and when demanded. In case if the successful bidder has less employees/persons mentioned above then the successful bidder has to submit an undertaking to that effect on Rs. 200 stamp paper as per circular u/no. CA/FRD/I/44 of 04.01.2013.

Note:

● If it is found that the tenderer has not submitted required documents in Packet “B” then, the shortfalls will be communicated to the tenderer **through e-mail only** and compliance required to be made within a time period of three working days otherwise they will be treated as non-responsive.

PACKET – C

~~a. Online tender filled in either percentage plus or minus (above or below), or at par. (There is no separate provision to quote % in physical form, this is a part in Header Data of online Tendering). For Packet ‘C’ tenderer(s) will fill data in ‘Item Data Tab’ in Service Line Item via Details and quotes his percentage variation figures. (If entered ‘0’ it will be treated as ‘at par’. By default the value is zero only).~~

Note: 1) In case of rebate / premium of 15% and above as quoted by the tenderer, the rate analysis of major items shall be submitted by L1 and L2 bidder after

demand notification by email to bidders by concerned Dy. Ch.Eng. The format for rate analysis is annexed at Annexure D.

~~2) Rate analysis in prescribed format shall be submitted online to the engineer in-charge within 3 working days from the date of communication on email, failing to which EMD will be forfeited, and the bid will be rejected, and next successful/ Responsive bidder will be considered. Thereafter, negotiation will be done with the said successive/responsive bidder with respect to his quoted rate.~~

Bidder shall submit the price bid in packet C by filling the values on the screen (base rate).

BID SECURITY OR EMD

- The Bidder shall furnish, as part of the Bid, Bid Security/EMD, in the amount specified in the Bid Data Sheet. This bid security shall be in favor of the authority mentioned in the Bid Data Sheet and shall be valid till the validity of the bid.

- As per the circular no. CA / Finance / Project / 19 / Dtd: 04.03.2024, The tenderer shall pay total EMD/Bid Security amount as specified in the bid amounting through payment gateways of GOM on URL <https://mahatenders.gov.in>. The bidder shall upload the scan copy of online paid EMD along with the bid submission in Packet 'A'

- Any bid not accompanied by an acceptable Bid Security and not secured as indicated in sub-clause mentioned above, shall be rejected by the Employer as non-responsive.

- The Bid Security/EMD of the successful Bidder will be discharged when the Bidder has signed the Agreement and furnished the required Security Deposits.

- Except successful bidder all other unsuccessful bidders 100% EMD paid online will be refunded automatically.

- In case, the successful bidder become non responsive or successful bidder withdraw the bid or is unwilling to extend the bid validity period, in such circumstances, if L-2 bidder is agreeable to extend the bid validity period and ready to deposit the requisite amount of bid security/ EMD / ASD to the department within the stipulated time period i.e.15 days, the department will process further as per normal procedure.

- The Bid Security may be forfeited:

- a) if the Bidder withdraws the Bid after bid opening (opening of technical qualification part of the bid during the period of Bid validity)

- b) in the case of a successful Bidder, if the Bidder fails within the

specified time limit to:

- i) sign the Agreement; and/or
- ii) Furnish the required Security Deposits.

- c) In case of non workable rate analysis and misleading information submitted by the bidder, EMD shall be forfeited and bid will be rejected.

1. The cases wherein if the shortfalls are not complied by a contractor, will be informed to Registration and Monitoring Cell. Such non-submission of documents will be considered as **'Intentional Avoidance'** and if three or more cases in 12 months are re-reported, shall be viewed seriously and disciplinary action against the defaulters such as banning/de-registration, etc. shall be taken by the registration cell with due approval of the concerned AMC.

2. If the bidder is found non-responsive after scrutiny of packet 'A'/'B' in such circumstances, **the bidder will be made non-responsive and financial packet 'C' of non-responsive bidder will not be opened. However, there will not be any forfeiture of EMD.**

Note:

- I) **Curable Defect shall mean shortfalls in submission such as:**
 - a. **Non-submission of following documents,**
 - i) **Valid Registration Certificate**
 - ii) **Valid Bank Solvency**
 - iii) **Goods & Service Tax Certificate (GST)**
 - iv) **Certified Copies of PAN documents and photographs of individuals, owners, etc**
 - v) **Partnership Deed and any other documents (if any)**
 - vi) **Undertakings as mentioned in the tender document.**
 - vii) **Wrong calculation of Bid Capacity.**

In packet 'A' as well as packet 'B', 05 nos. of shortfall in curable defects will be allowed and in case, if curable defects are not compiled by bidder within the given time period the bidder shall be treated as Non Responsive.

Non-curable Defect shall mean

II)

- i) **In-adequate submission of EMD/ASD amount,**
- ii) **In-adequacy of technical and financial capacity with respect to Eligibility criteria as stipulated in the tender.**
- iii) **No proper submission of experience certificates and other documents, etc.**

BID VALIDITY

● Bids shall remain valid for a period of not less than one eighty (180) days after the deadline date for bid submission specified in Bid Data Sheet. A bid valid for a shorter period shall be rejected by the Employer as non-responsive.

● In exceptional circumstances, prior to expiry of the original time limit, the Employer may request that the bidders may extend the period of validity for a specified additional period. The request and the bidders' responses shall be made in writing or by cable. A bidder may refuse the request without forfeiting his Bid Security. A bidder agreeing to the re-quest will not be required or permitted to modify his bid, but will be required to extend the validity of his bid security for a period of the extension.

DEFECT LIABILITY PERIOD

● The Contractor is expected to carry out the ~~construction~~ work in Workmen like manner so as to meet the requirement and specification for the work/~~project~~. It is expected that the Workmanship and materials will be reasonably fit for the purpose for which they are required.

● Defects or defective work is where standard and quality of workmanship and materials as specified in the contract is deficient. Defect is defined as a failure of the completed work/~~project~~ to satisfy the express or implied quality or quantity obligations of the ~~construction~~ contract. Defective ~~construction~~ works are as the works which fail short of complying with the express descriptions or requirements of the contract, especially any drawings or specifications with any implied terms and conditions as to its quality, workmanship, durability, aesthetic, performance or design. ~~Defects in construction projects are attributable to various reasons.~~

● ~~Some of the defects are structural defects results in cracks or collapse of~~

~~faulty defective plumbing, inadequate or faulty drainage system, inadequate or faulty ventilation, cooling or heating systems, inadequate fire systems etc. The defects could be various on accounts of different reasons for variety of the projects.~~

- The Engineering In charge/Project Officer shall issue the practical completion certificate for the project. During the Defect Liability Period which commences on completion of the work, the Engineering In charge shall inform or the contractor is expected to be informed of any defective works by the Employer's representative of the defects and make good at contractor's cost with an intention of giving opportunity to the contractor of making good the defects appeared during that period. It is the contractor's obligation under the contract to rectify the defects that appear during Defect Liability Period and the contractor shall within a reasonable time after receipt of such instructions comply with the same at his own cost. The Engineering In charge/Project Officer shall issue a certificate to that effect and completion of making good defects shall be deemed for all the purpose of this contract to have taken place on the day named in such defect liability certificate.

- If defective work or workmanship or design have been knowingly covered-up or concealed so as to constitute fraud, commencement of the Defect Liability Period may be delayed. The decided period may be delayed until discover actually occurs on at least the defect could have been discovered with reasonable diligence, whichever is earlier.

- **The DLP shall be as below:**

Department	Type of work	DLP
Hydraulic Engineer	Servicing & Overhauling of electrical actuators, gearbox & head stock units of various butterfly valves at Valve Maint. Section M-III A Panjrapur.	3 years

- Also, in case of defect, the Engineer shall give notice to the Contractor of any Defects before the end of the Defects Liability Period, which begins at. The Defects Liability Period shall be extended for as long as Defects remain to be corrected. Every time notice of Defect/Defects is given, the Contractor shall correct the notified Defect/Defects within the duration of time specified by the Engineer's notice. The Engineer may issue notice to the Contractor to carry out removal of

defects or deficiencies, if any, noticed in his Inspection, or brought to his notice. The Contractor shall remove the defects and deficiencies within the period specified in the notice and submit to the Engineer a compliance report.

- It is the Completion Stage when the contractor has completed all of the works and fixed all of the defects that were on the list of issue by Engineer-in-charge. When this happens, the engineer must issue a 'Certificate of Completion'. On the issue of 'Certificate of Completion', the 'Defect Liability Period' starts. The contractor also must issue a 'Certificate statement' as an acknowledgment to the engineer not later than 14 days after the 'Certificate of Completion' has been issued. During the 'Defect Liability Period', the contractor has to obey all written instructions from the engineer to carry out repairs and fix any defects which appear in the Permanent Works. If the contractor does not, due to his own faults finish the repair works or fix the defects by the end of 'Defect Liability Period', the 'Defect Liability Period' will continue until all works instructed by engineer is done.

- During the Defect Liability Period (DLP), the completed work shall be periodically inspected by the site staff along with the contractor and defects noticed, if any shall be got rectified immediately from the contractor as per provision of contract. The above compliance report shall be mandatory prerequisite before releasing the deposits/retention money of the work. Accordingly, the contractor shall prepare the periodical checklist and get it approved from BMC Engineers on or before work completion.

SECURITY DEPOSIT AND PERFORMANCE GUARANTEE

A. Security Deposit :-

The security deposit shall mean and comprise of

- I) Contract Deposit and
- II) Retention Money.

I) Contract Deposit :- The successful tender, here after referred to as the contractor shall pay an amount equal to **two (2)** percent of the contract sum shall be paid within thirty days from the date of issue of letter of acceptance.

The said contract deposit shall be paid in the form of Demand Draft (D.D.) only.

II) Retention Money – (Not Applicable)– The retention money equal to 15.00% of the Contract Sum will be recovered from the contractors every bill i.e. interim / running / final bill. The clause of retention money will not be applicable to M & E Department.

B. Additional Security Deposit: (NOT APPLICABLE TO THIS TENDER)

The Additional Security Deposit shall be applicable as under:

Rebate quoted by contractor	ASD Applicable
Up to 12 % Rebate	No ASD
Rebate above 12.00 % on estimated cost	At 2.00% of Estimated cost for each % rebate & part thereof, in D. D. only

The bidders shall submit the ASD as applicable in the form of Demand Draft, which is to be submitted during office hours minimum one day before opening of packet 'C' to respective Head Clerk (Expenditure) of the Engineer in-charge of the HE Division in sealed envelope. If ASD is not applicable then the bidders shall submit sealed envelope mentioning on their letter head 'ASD is not applicable'.

If the bidders fails to submit the sealed envelope as mentioned above at least one day before opening of packet 'C' within office hours then the EMD of the respective bidders will be forfeited and the company with their Directors/Partners and other companies with the said Directors / Partners will be further debarred from any tendering process for the period of at least 2 years.

C. Performance Guarantee: (Not Applicable)

The successful tender, here after referred to as the contractor shall pay in the form of "Performance Guarantee" at different rates for different slabs as stated below:

Offer	PG applicable %
For premium, at par and rebate 0 to 12%	PG= 0.92% x contract sum applicable for rebate of 12%
For rebate of 12.01%	P.G. = {0.92% x contract sum applicable for rebate of 12%} +(X) x contract sum, where X= percentage rebate quoted more than 12%

Note: Contract sum shall mean amount after application of rebate/premium as quoted by the contractor with contingencies only and excluding price variation. The PG shall be paid in one the following forms.

- 1) Cash (In case guarantee amount is less than Rs.10,000/-)
- 2) Demand Draft (In case guarantee amount is less than Rs.1,00,000/-)
- 3) Government securities
- 4) Fixed Deposit Receipts (FDR) of a Schedule Bank.

- 5) An electronically issued irrevocable bank guarantee bond of any Schedule bank or f in the prescribed form given in Annexure.

Performance Guarantee is applicable over and above the clause of Security Deposit. Performance Guarantee will have to be paid & shall be valid till the defect liability period or finalization of final bill whichever is later.

This deposit will be allowed in the form of I to V as mentioned above and shall be paid within 15 days after receipt of Letter of Acceptance.

Note: Following exceptions shall be adopted for 'Demolition Tenders':

- ◆ Irrespective of the offer (Rebate/ at par/ premium), ASD shall be differed and only PG of 10% of contract sum be taken from the successful bidder on award of contract only.
- ◆ Brihanmumbai Municipal Corporation departments shall ensure to incorporate specific condition regarding above in bid document and e-tender notice.

D. Refund of Security Deposit

I. Refund of Contract Deposit

The Contract Deposit shall be released within 30 days after completion of 3rd year of DLP (in case of 5 years DLP) and after issue of 'Defect Liability Certificate' (in case of 1 or 2 or 3 years DLP) subject to no recoveries are pending against the said work, provided that the Engineer is satisfied that there is no demand outstanding against the Contractor. No claim shall be made against the Balance Contract Deposit after the issue of Defects Liability Certificate.

II. Refund of Retention Money (Not Applicable)

The Retention Money will be refunded after completion of defect liability period and after issue of "Defect Liability Certificate" (in case of 1 or 3 or 5 years DLP) provided that the Engineer is satisfied that there is no demand outstanding against the Contractor. In the event of different Defects Liability Periods have been specified or become applicable to different sections or parts of the Permanent Works, the said moneys will be released within 30 days on expiration of such Defects Liability Periods. In the event the Engineer issues a Taking-over Certificate for a section or part of the Permanent Works, only such proposition thereof as the Engineer determines (having regard to the relative value of such section or part of the Works) shall be considered by the Engineer for payment to the Contractor.

III. Refund of Additional Security Deposit (Not Applicable)

One-half (50 %) of the additional security deposited (ASD) shall be released after the completion of 50% financial progress of the work. The balanced ASD shall be released within 30 days of issue of 'Certificate of Completion' with respect to the whole of the Works. In the event the Engineer issues a Taking-over Certificate for a section or part of the Permanent Works, only such proportion thereof as the Engineer determines (having regard to the relative value of such section or part of the Works) shall be considered by the Engineer for Refund of ASD to the contractor.

IV. Refund of Performance Guarantee (Not Applicable)

The Deposit on account of performance guarantee shall be released within 30 days of completion of Defects Liability Certificate subject finalization of final bill whichever is later and no recoveries are pending against the said work, provided that the Engineer is satisfied that there is no demand outstanding against the Contractor.

Summary of time of Refund of deposit is tabulated as follows:

a. Time of Refund for works having 5 years DLP (Not Applicable)

Deposits refunded after completion	After 3 yrs of DLP	After Completion of DLP
ASD + 50% of RM	CD+50% of RM	PG

b. Time of Refund for works having 1 or 2 or 3 years DLP

Deposits refunded after completion	After Completion of DLP
ASD + 50% of RM	GD +50% of RM+PG

***Note:**

a) It shall be clearly mentioned that the BG shall be applicable for individual work/contract and clubbing of various contracts of the said contractor will not be allowed. In case of obtaining Bank Guarantee, it is necessary to mention that the same shall be valid further 6 months from the completion of defect liability period/ warranty period.

b) It shall be the responsibility of the bidder to keep the submitted B.G. "VALID" for the stipulated time period in the tender & in case of its expiry it will attract penalization.

c) Bank Guarantee should be issued by way of General Undertaking and Guarantee issued on behalf of the Contractor by any of the Nationalized or Scheduled banks or branches of foreign banks operating under Reserve Bank of India regulations located in Mumbai upto Virar & Kalyan. List of approved Banks is appended at the end of Instructions to Bidders (ITB). The Bank Guarantee

~~issued by branches of approved Banks beyond Kalyan and Virar can be accepted only if the said Bank Guarantee is countersigned by the Manager of a Regional Branch of the same bank within the Mumbai City Limit categorically endorsing thereon that the said Bank Guarantee is binding on the endorsing Branch of the Bank or the Bank itself within Mumbai Limits and is liable to be enforced against the said Branch of the Bank or the bank itself in case of default by the Contractors furnishing the Bank Guarantee. The Bank Guarantee shall be renewed as and when required and/or directed from time to time until the Contractor has executed and completed the works and remedied any defects therein.~~

E. Legal + Stationary Charges :- (As per applicable circular)

Successful tenderer shall pay the Legal Charges +Stationary charges as given below or as per existing circular while executing contract.

Contract Value	Legal+ Stationery Charges
Upto Rs.50,000/-	Nil
From Rs.50,000/- to Rs.1,00,00,000/-	0.10% of contract value (Rounded in multiples of Rs.100/-) + 18% GST. (Minimum Rs.1,000/- + GST & Maximum Rs.10,000/- + GST)
From Rs. 1,00,00,001/- to Rs. 10,00,00,000/-	Rs.10,000/- for contract value upto 1,00,00,000/- + 0.5% above contract value of Rs.1,00,00,000/- (Rounded in multiples of Rs.100/-) + 18% GST
from Rs.10,00,00,001/- & above contract value	Rs.55,000/- for contract value of Rs.10,00,00,000/- + 0.01% on contract value of Rs.10,00,00,000/- (Rounded in multiples of Rs.100/-) + 18% GST

The tenderer's are requested to note that stationary charges as given in the table above will be recovered from the successful tenderer for supply of requisite prescribed forms for preparing certificate bills in respect of the work.

F. Stamp Duty: - (As per applicable circular at the time of award of contract)

It shall be incumbent on the successful tenderer to pay stamp duty on the contract.

- i) As per the provision made in Article 63, Schedule I of Bombay Stamp Act 1958, stamp duty is payable for "works contract" that is to say, a contract for works and labour or services involving transfer of property in goods (whether as goods or in some other form) in its execution and includes a sub-contract, as under :

a	Where the amount or value set forth in such contract does not	Five Hundred rupees stamp duty
---	---	--------------------------------

	exceeds Rs. Ten Lakhs	
b	Where it exceeds rupees ten lakhs	Five hundred rupees plus 0.1% of the amount above rupees ten lakh subject to the maximum of rupees twenty five lakh stamp duty.

- ii. The successful bidder shall enter into a contract agreement with Brihanmumbai Municipal Corporation. within 30 days from the date of issue of Work Order and the same should be adjudicated for payment of Stamp Duty by the successful bidder.
- iii. Further shortfall if any, in amount of stamp duty paid as against prescribed amount for the documents executed in Mumbai City & Mumbai Suburban District be recovered from the concerned work contractors and to deposit the deficit or unpaid Stamp Duty and penalty by two separate Demand Draft or Pay Order in favor of “Superintendent of Stamp, Mumbai” within 15 days from intimation thereof.
- iv. All legal charges and incidental expenses in this respect shall be borne and paid by the successful tenderer.
- v. ~~Bank Guarantee: As per article 54 read with 40 (b) of stamp duty act, stamp duty of 0.5% for the amount secured by such deed subject to the maximum of Rs. 10 Lakhs will be applicable to the all Bank Guarantee submitted and also which are required to be renewed after expiry of time period. (Stamp Duty payable on BG Minimum Rs. 500/- or 0.5% of total BG amount)~~

IMPORTANT DIRECTIONS

1. All the information uploaded shall be supported by the corroborative documents in absence of which the information uploaded will be considered as baseless and not accepted for qualification criteria. All the documents shall be uploaded with proper pagination. The page No. shall be properly mentioned in the relevant places. The information shall be uploaded in the sequence as asked for with proper indexing etc. The Bidder shall be fully responsible for the correctness of the information uploaded by him.

2. Applicants/Bidders shall refer “<https://mahatenders.gov.in/Help> for contractors” for the guidelines.

Any queries or request for additional information concerning this TENDER shall be submitted by e-mail to **dyhe3appc.he@mcmgm.gov.in** & **eemne3atpppc.he@mcmgm.gov.in**. The subject shall clearly bear the following identification/ title: "Queries/ Request for Additional Information: TENDER for **“Servicing & Overhauling of electrical actuators, gearbox & head stock units of various butterfly valves at Valve Maint. Section M-III A Panjrapur..”** Any changes in mail ID will be intimated on the portal.

3. In case of Equal Percentage of lowest bidders (L1), the allotment of work shall be done by giving 48 hrs (2 working days) from the day of opening of packet C on same BID-Document number for re-quoting and such development needs to done by IT department in Brihanmumbai Municipal Corporation’s SRM system. Till such development is made; ‘Sealed Bids’ shall be called from the bidders quoting the same rates i.e. L1.

In case of equal percentage of lowest bidders is obtained even after re-quoting, then the successful bidder will be decided by lottery system by H.E. The bidder shall need to submit the ASD if applicable within 7 days after receipt of notification issued by concerned Chief Engineer. Also, the Performance Guarantee shall be paid in 15 days after receipt of Letter of Acceptance.

4. Barricading shall be provided free of cost as per Circular u/No.MGC/F6342 dated 05.05.2018 and as per Annexure I, II and III of Standard drawings and specifications with slogans and department wise colour codes.

5. Penalty will be applicable as per clause no. 7.4(Scope of work) in Section 10, Technical Specification.

SECTION 7

SCOPE OF WORK

BRIHANMUMBAI MUNICIPAL CORPORATION

(Hydraulic Engineer's Department)

Sub: Servicing & Overhauling of electrical actuators, gearbox & head stock units of various butterfly valves at Valve Maint. Section M-III A Panjrapur.

Preamble:-

Panjrapur Water Treatment Plant was commissioned in the year 1979 and since then it is in continuous service. Most of the portion of main pipelines in complex premises is underground and various sizes of Butterfly valves viz. 1200 mm, 1800 mm, 2400 mm etc. are provided on these main lines at various locations in Panjrapur complex for isolation & inter-connection purpose. Some of the above mentioned valves are installed in chambers for underground pipelines.

The B-10, B-11, B-12, B-13, B-14, I-3, H-31, H-32, H-33, H-34 valve gear boxes and B-12, B-13 & I-3 electrical actuators are required to be serviced & overhauled on the priority basis.

The B-10 & B-11 (2400 mm dia. BFV) are Kirloskar make manually operated butterfly valves which are on the C/C of Inlet of CCT- Compt- I & CCT Compt.-II (Adjacent to inlet of CCT- Compt.I) and C/C of Inlet of CCT Compt.-I & CCT Compt.-II (Adjacent to inlet of CCT Compt.-II). B-12, B-13 (2400 mm dia. BFV) are Kirloskar make electrical actuator operated & B-14 (2400 mm dia. BFV) is Kirloskar make manually operated butterfly valve which are Between CCT Comptt.-I to Pumping station PPC Sump I, Between CCT Comptt.-II to Pumping station PPC Sump II & on C/C of Sump-I & Sump-II (adjacent to sump-I) respectively. The I-3 (2200 mm dia. BFV) is Fouress Boving make electrical actuator operated butterfly valve which is installed on the Raw water incoming line from Pise to Settling tank Mumbai III-A. The H-31, H-32, H-33 & H-34 (1200 mm dia. BFV) are Kirloskar make manually operated butterfly valve which are on C/C on Stage I, Stage-II & stage III delivery mains..

The valves B-10, B-11, B-12, B-13, B-14, H-31, H-32, H-33, H-34 & I-3 are installed in 1984-85 & 2005 respectively. These valves are frequently operated by Valve Maint. Section as per instruction received from MBR section. No major repair or servicing of these valves & head-stock units other than routine maintenance have been carried out since their installation.

It has been observed that during last two to three years, the number of isolation, frequent breakdown of plants, machinery and equipment has been increased due to aging. In such cases as per requirement from user section the specific pipeline portion is needed to be Isolated in limited time span by operating various valves. In the recent isolation work, it has been found that these valves are very hard for manual operation and need additional manpower for valve operation and consumed more time. The actuators of B-12, B-13 and I-3 are making abnormal sound and due for servicing and overhauling, The actuators and control panels of B-12, B-13 & I-3 valves are required replacement of lubricating oil, indicating bulbs and other consumables. Hence, it is necessary to carry out complete overhauling and servicing of gear box and head-stock units of B-10, B-11, B-12, B-13, B-14 (2400mm dia each), I-3 (2200 mm dia.) butterfly valves & H-31, H-32, H-33, H-34 (1200mm dia each) butterfly valves and the actuators and control panels of B-12, B-13 & I-3 valves at Panjrapur for steady and smooth operating the BFV in limited time span.

SCOPE OF WORK:- The work involves:-

- 1) Complete overhauling & servicing of butterfly valve gear boxes, its head-stock units, electrical actuators, control panel.
- 2) Any damaged or broken parts in the gearbox assembly, head-stock unit, electrical actuators, control panel shall be replaced with new parts.
- 3) The tenderers are advised to visit Panjrapur site to get acquainted with nature of work involved. The negligence of scope of work will be to the account of contractor.
- 4) The contractor shall give satisfactory trials for the smooth functioning of gearbox assembly, head-stock unit, electrical actuators, control panel in presence of B.M.C. Engineers.
- 5) All relevant operations shall be performed as per directions of Site Engineer.
- 6) The contractor shall carry out the work with best workmanship with standard practice.

SECTION 8
BILL OF QUANTITIES

BRIHANMUMBAI MUNICIPAL CORPORATION

Hydraulic Engineer's Department (O. C. Division)

Sub: Servicing & Overhauling of electrical actuators, gearbox & head stock units of various butterfly valves at Valve Maint. Section M-III A Panjrapur.

BILL OF QUANTITIES AND RATES

Sr. No.	Description	Unit	Rate/ Unit.	Qty.	Amount in Rs.
1)	Servicing & Overhauling of electrical actuators	Job		03	
2)	Servicing & Overhauling of gearbox of 1200 mm BFV	Job		04	
3)	Servicing & Overhauling of gearbox of 2200 mm BFV	Job		01	
4)	Servicing & Overhauling of gearbox of 2400 mm BFV	Job		05	
			GST %	CGST@	
				9 %	
				SGST	
				@ 9 %	
				Other Taxes if any	
				Grand Total:	
	In words:-				

Note:

- 1 This "Bill of Quantities and Rates" is for information purpose only.
- 2 The tenderer shall not fill & upload price bid here otherwise the tender shall be outrightly rejected.
- 3 The tenderer shall fill the price bid on-line in Packet "C" by filling the values on the screen (base rate)
- 4 All inputs given on the screen need to be digitally signed.

SECTION 9
GENERAL CONDITIONS OF
CONTRACT

General Conditions of Contract

A. General

1. Definitions

1.1 Terms which are defined in the Contract Data are not also defined in the Conditions of Contract but keep their defined meanings. Capital initials are used to identify defined terms.

The “Contract” shall mean the tender and acceptance thereof and the formal agreement if any, executed between the Contractor, Commissioner and the Corporation together with the documents referred to therein including these conditions and appendices and any special conditions, the specifications, designs, drawings, price schedules, bills of quantities and schedule of rates. All these documents taken together shall be deemed to form one Contract and shall be complementary to one another.

The Contract Data defines the documents and other information which comprise the Contract.

The “Contractor” shall mean the individual or firm or company whether incorporated or not, whose tender has been accepted by the employer and the legal successor of the individual or firm or company, but not (except with the consent of the Employer) any assignee of such person.

The Bidder is a person or corporate body who has desired to submit Bid to carry out the Works, including routine maintenance till the tender process is concluded.

The Contractor's Bid is the completed bidding document submitted by the Contractor to the Employer.

The “Contract Sum” means the sum named in the letter of acceptance including Physical contingencies subject to such addition thereto or deduction there-from as may be made under the provisions hereinafter contained.

Note :

The contract sum shall include the following –

- In the case of percentage rate contracts the estimated value of works as mentioned in the tender adjusted by the Contractor’s percentage.
- In the case of item rate contracts, the cost of the work arrived at after finalization of the quantities shown in schedule of items / quantities by the item rates quoted by the Tenderer’s for various items and summation of the extended cost of each item.
- In case of lump sum contract, the sum for which tender is accepted.
- Special discount / rebate / trade discount offered by the tenderer if any and accepted by the Corporation.

- Additions or deletions that are accepted after opening of the tenders.

The “Contract Cost” means the Contract Sum. This cost shall be included in the letter of acceptance.

A Defect is any part of the Works not completed in accordance with the Contract.

The Defects Liability Certificate is the certificate issued by the Engineer, after the Defect Liability Period has ended and upon correction of Defects by the Contractor.

Drawings means all the drawings, calculations and technical information of a like nature provided by the Engineer to the Contractor under the Contract and all drawings, calculations, samples, patterns, models, operation & maintenance manual and other technical information of like nature submitted by the Contractor and approved by the Engineer.

The Authority shall mean Brihanmumbai Municipal Corporation (BMC)

The “Employer” shall mean the Brihanmumbai Municipal Corporation (BMC) / Municipal Commissioner for Brihanmumbai Municipal Corporation (BMC), for the time being holding the said office and also his successors and shall also include all “Additional Municipal Commissioners, Director (Engineering Services & Projects)” and the Deputy Municipal Commissioner, to whom the powers of Municipal Commissioner, have been deputed under Section 56 and 56B of the Mumbai Municipal Corporation Act.

The Engineer in-charge shall mean the Executive Engineer in executive charge of the works and shall include the superior officers of the Engineering department i.e. Dy.Ch.Eng / Ch.Eng. and shall mean and include all the successors in Brihanmumbai Municipal Corporation (BMC)

The Engineer's Representative shall mean the Assistant Engineer, Sub. Engineer/Jr. Engineer in direct charge of the works and shall include Sub Eng./ Jr. Eng of Civil section/ Mechanical section/ Electrical section appointed by Brihanmumbai Municipal Corporation (BMC).

The “Engineer” shall mean the City Engineer / the Hydraulic Engineer / the Chief Engineer / the Special Engineer, appointed for the time being or any other officer or officers of the Municipal Corporation who may be authorized by the commissioner to carry out the functions of the City Engineer / the Hydraulic Engineer / the Chief Engineer / the Special Engineer or any other competent person appointed by the employer and notified in writing to the Contractor to act in replacement of the Engineer from time to time.

Contractor's Equipment means all appliances and things of whatsoever nature required for the execution and completions of the Works and the remedying of

any defects therein, but does not include plant material or other things intended to form or forming part of the Permanent Works.

The Initial Contract Price is the Contract Price listed in the Employer's Letter of Acceptance.

The Intended Completion Date is the date on which it is intended that the Contractor shall complete the construction works. The Intended Completion Date is specified in the Contract Data. The Intended Completion Date may be revised only by the Engineer by issuing an extension of time.

Materials are all supplies, including consumables, used by the Contractor for incorporation in the Works and works of routine maintenance.

Plant is any integral part of the Works that shall have a mechanical, electrical, electronic, chemical, or biological function.

Routine Maintenance is the maintenance of activities of the completed structure for five years as specified in the Contract Data.

The "Site" shall mean the land and other places including water bodies more specifically mentioned in the special conditions of the tender, on, under in or through which the permanent works or temporary works are to be executed and any other lands and places provided by the Municipal Corporation for working space or any other purpose as may be specifically designated in the contract as forming part of the site.

Site Investigation Reports are those that were included in the bidding documents and are reports about the surface and subsurface conditions at the Site.

"Specification" shall mean the specification referred to in the tender and any modification thereof or addition or deduction thereto as may from time to time be furnished or approved in writing by the Engineer.

The Start Date/Commencement Date is given in the Contract Data. It is the date when the Contractor shall commence execution of the Works. It does not necessarily coincide with any of the Site Possession Dates.

A Nominated Sub-Contractor is a person or corporate body who has a Contract with the Contractor to carry out a part of the construction work and/or routine maintenance in the Contract, which includes work on the Site.

Temporary Works are works designed, constructed, installed, and removed by the Contractor that are needed for construction or installation of the Works.

Variation means a change to the:-

i) Specification and /or Drawings (if any) which is instructed by the Employer.

ii) Scope in the Contract which is instructed by the Employer.

iii) Price in the Contract which is instructed by the Employer.

The Works, as defined in the Contract Data, are what the Contract requires the Contractor to construct, install, maintain, and turn over to the Employer. Routine maintenance is defined separately.

Jurisdiction: In case of any claim, dispute or difference arising in respect of a contract, the cause of action thereof shall be deemed to have arisen in Mumbai and all legal proceedings in respect of any claim, dispute or difference shall be instituted in a competent court in the City of Mumbai only.

2. Interpretation

2.1 In interpreting these Conditions of Contract, singular also means plural, male also means female or neuter, and the other way around. Headings have no significance. Words have their normal meaning under the language of the Contract unless specifically defined. The Engineer will provide instructions clarifying queries about these Conditions of Contract.

2.2 If sectional completion is specified in the Contract Data, references in the Conditions of Contract to the Works, the Completion Date, and the Intended Completion Date apply to any Section of the Works (other than references to the Completion Date and Intended Completion Date for the whole of the Works).

2.3 The documents forming the Contract shall be interpreted in the following documents: (1) Agreement, (2) Letter of Acceptance, (3) Notice to Proceed with the Work , (4) Contractor's Bid, (5) Contract Data, (6) Special Conditions of Contract Part (7) General Conditions of Contract Part I, (8) Specifications, (9) Drawings, (10) Bill of Quantities, and (11) Any other document listed in the Contract Data.

3. Engineer's Decisions

3.1 Except where otherwise specifically stated, the Engineer will decide contractual matters between the Employer and the Contractor in the role representing the Employer. However, if the Engineer is required under the rules and regulations and orders of the Employer to obtain prior approval of some other authorities for specific actions, he will so obtain the approval, before communicating his decision to the Contractor.

3.2 Except as expressly stated in the Contract, the Engineer shall not have any authority to relieve the Contractor of any of his obligations under the contract.

4. Delegation

4.1 The Engineer, with the approval of the Employer, may delegate any of his duties and responsibilities to other person(s), except to the Adjudicator, after notifying the Contractor, and may cancel any delegation after notifying the Contractor.

5. Communications

All certificates, notices or instructions to be given to the Contractor by Employer/ Engineer shall be sent on the address or contact details given by the Contractor of Bid. The address and contact details for communication with the Employer/ Engineer shall be as per the details given in Contract Data. Communications between parties that are referred to in the conditions shall be in writing. The Notice sent by facsimile (fax) or other electronic means shall be effective on confirmation of the transmission. The Notice sent by Registered post or Speed post shall be effective on delivery or at the expiry of the normal delivery period as undertaken by the postal service.

6. Subcontracting

- 6.1 Unless specifically mentioned in the contract subletting will not be allowed. Subletting, where otherwise provided by the contract shall not be more than 25% of the contract price.
- 6.2 The Contractor shall not be required to obtain any consent from the Employer for:
 - a. the sub-contracting of any part of the Works for which the Subcontractor is named in the Contract;
 - b. the provision for labour, or labour component.
 - c. the purchase of Materials which are in accordance with the standards specified in the Contract.
- 6.3 Beyond what has been stated in clauses 6.1 and 6.2, if the Contractor proposes sub contracting any part of the work during execution of the Works, because of some unforeseen circumstances to enable him to complete the Works as per terms of the Contract, the Employer will consider the following before according approval:
 - a. The Contractor shall not sub-contract the whole of the Works.
 - b. The permitted subletting of work by the Contractor shall not establish any contractual relation-ship between the sub-contractor and the Brihanmumbai Municipal Corporation and shall not relieve the Contractor of any responsibility under the Contract.
- 6.4 The Engineer should satisfy himself before recommending to the Employer whether
 - a. the circumstances warrant such sub-contracting; and
 - b. the sub-Contractor so proposed for the Work possesses the

experience, qualifications and equipment necessary for the job proposed to be entrusted to him.

7. Other Contractors

7.1 The Contractor shall cooperate and share the Site with other Contractors, public authorities, utilities, and the Employer between the dates given in the Schedule of Other Contractors, as referred to in the Contract Data. The Contractor shall also provide facilities and services for them as described in the Schedule. The Employer may modify the Schedule of Other Contractors, and shall notify the Contractor of any such modification.

7.2 The Contractor should take up the works in convenient reaches as decided by the Engineer to ensure there is least hindrance to the smooth flow and safety of traffic including movement of vehicles and equipment of other Contractors till the completion of the Works.

8. Personnel

8.1 The Contractor shall employ for the construction work and routine maintenance the key personnel including technical personnel named in the Contract Data or other personnel approved by the Engineer. The Engineer will approve any proposed replacement of technical personnel only if their relevant qualifications and abilities are substantially equal to those of the personnel stated in the Contract Data.

8.2 The Contractor's personnel shall appropriately be qualified, skilled and experienced in their respective trades or occupations. The Engineer shall have authority to remove, or cause to be removed, any person employed on the site or works, who carries out duties incompetently or negligently and persists in any conduct which is prejudicial to safety, health or the protection of the environment.

8.3 If the Engineer asks the Contractor to remove a person who is a member of the Contractor's staff or work force, stating the reasons, the Contractor shall ensure that the person leaves the Site within seven days and has no further connection with the Works in the Contract.

8.4 The Contractor shall not employ any retired Gazetted officer who has worked in the Engineering Department of the Brihanmumbai Municipal Corporation /State Government and has either not completed two years after the date of retirement or has not obtained Brihanmumbai Municipal Corporation/State Government's permission to employment with the Contractor.

9. Employer's and Contractor's Risks

9.1 The Employer carries the risks which this Contract states are Employer's risks, and the Contractor carries the risk which this contract states are Contractors risks.

10. Employer's Risks

10.1 The Employer is responsible for the excepted risks which are (a) in so far as they directly affect the execution of the Works in the Employer's country, the risks of war, invasion, act of foreign enemies, rebellion, revolution, insurrection or military or usurped power, civil war, riot, commotion or disorder (unless restricted to the Contractor's employees) and contamination from any nuclear fuel or nuclear waste or radioactive toxic explosive, or (b) a cause due solely to the design of the Works, other than the Contractor's design.

11. Contractor's Risks

11.1 All risks of loss of or damage to physical property and of personal injury and death which arise during and in consequence of the performance of the Contract other than the excepted risks, referred to in clause 11.1, are the responsibility of the Contractor.

12. Insurance

12.1 The Contractor at his cost shall provide, in the joint names of the Employer and the Contractor, insurance cover from the Start Date to the end of Defects Liability Period, in the amounts and deductibles stated in the Contract Data for the following events which are due to the Contractor's risks:

- a) Loss of or damage to the Works, Plant and Materials;
- b) Loss of or damage to Equipment;
- c) Loss of or damage to property (other than the Works, Plant, Materials, and Equipment) in connection with the Contract; and d) Personal injury or death.

12.2 Insurance policies and certificates for insurance shall be delivered by the Contractor to the Engineer for the Engineer's approval before the Start Date. All such insurance shall provide for compensation to be payable in the types and proportions of currencies required to rectify the loss or damage incurred.

12.3 Alterations to the terms of insurance shall not be made without the approval of the Engineer.

12.4 Both parties shall comply with any conditions of the insurance policies.

12.5 If the Contractor does not provide any of the policies and certificates required, the Employer may affect the insurance which the Contractor should have provided and recover the premiums the Employer has paid, from payments

otherwise due to the Contractor or if no payment is due, the payment of premiums shall be debt due.

13. Site Investigation Reports

13.1 The Contractor, in preparing the Bid, may rely, at his own risk, on any Site Investigation Reports referred to in the Contract Data, supplemented by any other information available to him, before submitting the bid.

14. Queries about the Contract Data

14.1 The Engineer will clarify queries on the Contract Data.

15. Contractor to Construct the Works and Undertake Maintenance (if specified in the tender)

15.1 The Contractor shall construct, and install and maintain the Works in accordance with the Specifications and Drawings and as per instructions of the Engineer.

15.2 The Contractor shall construct the works with intermediate technology, i.e., by manual means with medium input of machinery required to ensure the quality of works as per specifications. The Contractor shall deploy the equipment and machinery as required in the contract.

15.3 The Contractor shall take all reasonable steps to protect the environment on and off the Site and to avoid damage or nuisance to persons or to property of the public or others resulting from pollution, noise or other causes arising as a consequence of his methods of operation. During continuance of the contract, the Contractor and his sub-contractors shall abide at all times by all existing enactments on environmental protection and rules made there under, regulations, notifications and byelaws of the State or Central Government, or local authorities and any other law, bye-law, regulations that may be passed or notification that may be issued in future by the State or Central Government or the local authority. Salient features of some of the major laws that are applicable are given below:

- The Water (Prevention and Control of Pollution) Act, 1974, this provides for the prevention and control of water pollution and the maintaining and restoring of wholesomeness of water. 'Pollution' means such contamination of water or such alteration of the physical, chemical or biological properties of water or such discharge of any sewage or trade effluent or of any other liquid, gaseous or solid substance into water (whether directly or indirectly) as may, or is likely to, create a nuisance or render such water harmful or injurious to public health or safety, or to domestic, commercial, industrial, agricultural or other legitimate uses, or to the life and health of animals or plants or of aquatic organisms.
- The Air (Prevention and Control of Pollution) Act, 1981, this provides for prevention, control and abatement of air pollution. 'Air Pollution' means the

presence in the atmosphere of any 'air pollutant', which means any solid, liquid or gaseous substance (including noise) present in the atmosphere in such concentration as may be or tend to be injurious to human beings or other living creatures or plants or property or environment.

- The Environment (Protection) Act, 1986, this provides for the protection and improvement of environment and for matters connected therewith, and the prevention of hazards to human beings, other living creatures, plants and property. 'Environment' includes water, air and land and the inter-relationship which exists among and between water, air and land, and human beings, other living creatures, plants, micro-organism and property.

- The Public Liability Insurance Act, 1991, This provides for public liability insurance for the purpose of providing immediate relief to the persons affected by accident occurring while handling hazardous substances and for matters connected herewith or incidental thereto. Hazardous substance means any substance or preparation which is defined as hazardous substance under the Environment (Protection) Act 1986, and exceeding such quantity as may be specified by notification by the Central Government.

16. The Works and Routine Maintenance to be completed by the Intended Completion Date

16.1 The Contractor may commence execution of the Works on the Start Date and shall carry out the Works and Routine Maintenance, if specified in the tender, in accordance with the Programme submitted by the Contractor, as updated with the approval of the Engineer, and complete them by the Intended Completion Date.

17. Approval by the Engineer

~~17.1 The Contractor shall submit Specifications and Drawings showing the proposed Temporary Works to the Engineer, who is to approve them if they comply with the Specifications and Drawings.~~

~~17.2 The Contractor shall be responsible for design and safety of Temporary Works.~~

~~17.3 The Engineer's approval shall not alter the Contractor's responsibility for design and safety of the Temporary Works.~~

~~17.4 The Contractor shall obtain approval of third parties to the design of the Temporary Works, where required.~~

~~17.5 All Drawings prepared by the Contractor for the execution of the temporary or permanent Works, are subject to prior approval by the Engineer before their use.~~

18. Safety

18.1 The Contractor shall be responsible for the safety of all activities on the Site. He shall comply with all applicable safety requirements and take care of safety of all persons entitled to be on the site and the works. He shall use reasonable efforts to keep the site and the works, both during construction and maintenance, clear of unnecessary obstruction so as to avoid danger to the persons and the users.

- i) Workers employed on mixing asphaltic materials, cement and lime mortars shall be provided with protective footwear and protective goggles.
- ii) Stone breaker shall be provided with protective goggles and protective clothing and seated at sufficiently safe intervals.
- iii) The area should be barricaded or cordoned off by suitable means to avoid mishaps of any kind. Power warning signs should be displayed for the safety of the public whenever cleaning works are undertaken during night or day.
- iv) The workers engaged for cleaning the manholes/sewers should be properly trained before allowing working in the manhole.

18.2 Safety Programs:-

- i. Have adequate safety supervision in place to ensure that safety programs set up by the firms/agencies are in compliance with prevalent laws and regulations.
- ii. Review safety programs developed by each of the trade firms, prepare and submit a comprehensive safety program.
- iii. Monitor day to day implementation of safety procedures.

18.3 First Aid Facilities: -

- i. At every work place there shall be provided and maintained, so as to be easily accessible during working hours, first-aid boxes at the rate of not less than one box for 150 contract labour or part thereof ordinarily employed.
- ii. The first-aid box shall be distinctly marked with a red cross on white background.
- iii. Adequate arrangements shall be made for immediate recoupment of the equipment when necessary.
- iv. Nothing except the prescribed contents shall be kept in the First-aid box.
- v. The first-aid box shall be kept in charge of a responsible person who shall

always be readily available during the working hours of the work place.

- vi. A person in charge of the First-aid box shall be a person trained in First-aid treatment, in the work places where the number of contract labour employed is 150 or more.

19. Discoveries

- 19.1 Anything of historical or other interest or of significant value unexpectedly discovered on the Site shall be the property of the Employer. The Contractor shall notify the Engineer of such discoveries and carry out the Engineer's instructions for dealing with them.

20. Possession of the Site

- ~~20.1 The Employer shall handover complete or part possession of the site to the Contractor 7 days in advance of construction programme. At the start of the work, the Employer shall handover the possession of at least 75% of the site free of all encumbrances, the remaining 25 % of the possession as per contractor's construction programme.~~

21. Access to the Site

- 21.1 The Contractor shall allow access to the Site and to any place where work in connection with the Contract is being carried out, or is intended to be carried out to the Engineer and any person/persons/agency authorized by:
 - a. The Engineer
 - b. The Employer or authorized by the Employer.

22. Instructions

- 22.1 The Contractor shall carry out all instructions of the Engineer, which comply with the applicable laws where the Site is located.

- 22.2 The Contractor shall permit the appointed and/or authorized persons to inspect the Site and/or accounts and records of the Contractor and its subcontractors relating to the performance of the Contract, and to have such accounts and records audited by auditors appointed, if so required. The Contractor's attention is invited to Clause of 'Fraud and Corruption', which provides, inter alia, that acts intended to materially impede the exercise of the inspection and audit rights provided for under the Clause & constitute an obstructive practice subject to contract termination.

- 22.3 Engineer to have power to issue further drawings or instructions:

The Engineer shall have the power and authority from time to time

and at all times to make and issue such further drawings and to give such further instructions and directions as may appear to him necessary or proper for the guidance of the contractor and the good and sufficient execution of the works according to terms of the specifications and Contractor shall receive, execute, obey and be bound by the same, according to the true intent and meaning thereof, as fully and effectually as though the same had accompanied or had been mentioned or referred to in the specification, and the Engineer may also alter or vary the levels or position of nature of works contemplated by the specifications, or may order any of the works contemplated thereby to be omitted, with or without the substitution of any other works in lieu thereof, or may order any work or any portion of work executed or partially executed, to be removed, changed or altered, added if needful, may order that other works shall be substituted instead thereof and difference of expense occasioned by any such diminution or alteration so ordered and directed shall be added to or deducted from the amount of this Contract, as provided under condition no.10(a) hereinafter.

No work which radically changes the original nature of the Contract shall be ordered by the Engineer and in the event of any deviation being ordered which in the opinion of the Contractor changes the original nature of Contract he shall nevertheless carry it out and disagreement as to the nature of the work and the rate to be paid therefore shall be resolved in accordance with condition no.13d.

The time for completion of the Works, shall be in even of any deviations resulting in additional cost over the contract price being ordered, be extended or reduced reasonably by the Engineer. The Engineer's decision in this case shall be final.

B. Time Control

23. Programme

23.1 Within the time stated in the Contract Data, the Contractor shall submit to the Engineer for approval a Programme, including Environment Management Plan showing the general methods, arrangements, order, and timing for all the activities in the Works, along with monthly cash flow forecasts for the construction of works.

After the completion of the construction works, the programme for the Routine Maintenance Work, showing the general methods,

arrangements, order and timing for all the activities involved in the Routine Maintenance will also be submitted by the Contractor to the Engineer for approval if specified in the tender. The programme for Routine Maintenance will be submitted in each year for the period of Maintenance.

- 23.2 The Contractor shall submit the list of equipment and machinery being brought to site, the list of key personnel being deployed, the list of machinery/ equipments being placed in field laboratory and the location of field laboratory along with the Programme. The Engineer shall cause these details to be verified at each appropriate stage of the programme.
- 23.3 An update of the Programme shall be a programme showing the actual progress achieved on each activity and the effect of the progress achieved on the timing of the remaining Works, including any changes to the sequence of the activities.
- 23.4 The Contractor shall submit to the Engineer for approval an updated Programme at intervals no longer than the period stated in the Contract Data. If the Contractor does not submit an updated Programme within this period, the Engineer may withhold the amount stated in the Contract Data from the next payment certificate and continue to withhold this amount until the next payment after the date on which the overdue Programme has been submitted.
- 23.5 The Engineer's approval of the Programme shall not alter the Contractor's obligations. The Contractor may revise the Programme and submit it to the Engineer again at any time. A revised Programme shall show the effect of Variations and Compensation Events.

24. Extension Of Time In Contracts:

Subject to any requirement in the contract as to completion of any portions or portions of the works before completion of the whole, the contractor shall fully and finally complete the whole of the works comprised in the contract (with such modifications as may be directed under conditions of this contract) by the date entered in the contract or extended date in terms of the following clauses:

a)Extension attributable to Brihanmumbai Municipal Corporation

(i) Extension Due To Modification: If any modifications have been ordered which in the opinion of the Engineer have materially increased the magnitude of the work, then such extension of the contracted date of completion may be

granted as shall appear to the Engineer to be reasonable in the circumstances, provided moreover that the Contractor shall be responsible for requesting such extension of the date as may be considered necessary as soon as the cause thereof shall arise and in any case **should not be less than 30 days before the expiry of the date fixed for completion of the works.**

(ii) Extension For Delay Due To Brihanmumbai Municipal Corporation: In the event of any failure or delay by the Brihanmumbai Municipal Corporation to hand over the Contractor possession of the lands necessary for the execution of the works or to give the necessary notice to commence the works or to provide the necessary drawings or instructions or any other delay caused by the Brihanmumbai Municipal Corporation due to any other cause whatsoever, then such failure or delay shall in no way affect or vitiate the contract or alter the character thereof or entitle the contractor to damages or compensation therefore, but in any such case, the Brihanmumbai Municipal Corporation may grant such extension(s) of the completion date as may be considered reasonable.

Note: For extension of time period as governed in (i) and (ii) above, any modifications in design/drawings, specifications, quantities shall be needed to be justified with recorded reasons with approval of Ch.Eng. for not anticipating the same while preparing estimates and draft tender.

(b) Extension Of Time For Delay Due To Contractor:

The time for the execution of the work or part of the works specified in the contract documents shall be deemed to be the essence of the contract and the works must be completed no later than the date(s) / the programme for completion of work as specified in the contract. If the contractor fails to complete the works within the time as specified in the contract for the reasons other than the reasons specified in above as (a.i) and (a.ii), the Brihanmumbai Municipal Corporation may, if satisfied that the works can be completed by the contractor within reasonable short time thereafter, allow the contractor for further extension of time as the Engineer may decide. On such extension the Brihanmumbai Municipal Corporation will be entitled without prejudice to any other right and remedy available on that behalf, to recover the compensation as governed by Clause 8(e) of GCC.

For the purpose of this Clause, the contract value of the works shall be taken as value of work as per contract agreement including any supplementary work order/contract agreement issued.

Further, competent authority while granting extension to the currency of contract under Clause (b) of as above may also consider levy of penalty, as

deemed fit based on the merit of the case. Also, the reasons for granting extension shall be properly documented.

25. Delays Ordered by the Engineer

25.1 The Engineer may instruct the Contractor to delay the start or progress of any activity within the Works. Delay/delays totaling more than 30 days will require prior written approval of the DMC/AMC.

26. Management Meetings

26.1 The Engineer may require the Contractor to attend a management meeting. The business of a management meeting shall be to review the plans for progress of the Works.

26.2 The Engineer shall record the business of management meetings and provide copies of the record to those attending the meeting. The responsibility of the parties for actions to be taken shall be decided by the Engineer either at the management meeting or after the management meeting and stated in writing to all those who attended the meeting.

C. Quality Control

27.1. Work to be open to Inspection and Contractor or Responsible agent to be present:

All works under or in course of execution or executed in pursuance of the contract shall at all times be open to the inspection and supervision of the Eng-in-charge and his subordinates and the contractor shall at all times during the usual working hours, at all other times, during the usual working hours and at all other times at which reasonable notice of the intention of the Eng-in-charge and his subordinates to visit the works shall have been given to the contractor, either himself be present to receive orders and instruction or have responsible agent duly accredited in writing present for that purpose. Order given to the contractors' duly authorized agent shall be considered to have the same force and effect as if they had been given to the contractor himself.

27.2. Notice To Be Given Before Work Is Covered Up:

The contractor shall give not less than ten days' notice in writing to the Eng-In-Charge or his subordinate in-charge of the work before covering up or otherwise placing beyond the reach of measurement any work in order that the same may be measured and correct dimension thereof taken before the same is so covered up or placed beyond the reach of measurements and shall not cover up or place beyond the reach of measurement any work without the consent in writing of the Eng-In-Charge or his subordinate in-charge of the work, and if any work shall be covered up or placed beyond the reach of measurement, without such notice having been given or consent obtained the same shall be uncovered at the

contractors expenses, and in default thereof no payment or allowance shall be made for such work or for the materials with which the same was executed

27.3 Works to be executed in accordance with specifications / drawings / orders etc. :

The contractor shall execute the whole and every part of the work the most substantial and workman like manner and both has regards material and every other respect in strict accordance with specifications. The contractor shall also confirm exactly, fully and faithfully to the designs, drawings and instructions in writing relating to the work signed by the Engineer In-charge and lodged in his office and to which the contractor shall be entitled to have access for the purpose of inspection at such office, or on the site or work during office hours. The contractor shall be entitled to receive three sets of contract drawings and working drawings as well as one certified copy of the accepted tender along with the work order free of cost.

27.4 Ready mix concrete/Asphalt Mix

~~i) The contractor shall have to arrange Ready Mix concrete (RMC)/Asphalt from RMC/ASPHALT producing plants registered with Brihanmumbai Municipal Corporation~~

~~ii) The contractor shall, within a 7 days of award of the work, submit a list of at least three RMC/Asphalt producers with details of such plants including details and number of transit, mixers & pumps etc. to be deployed indicating name of owner/company, its location, capacity, technical establishment.~~

~~The Engineer in charge will reserve right to inspect at any stage and reject the concrete if he is not satisfied about quality of product at the user's end.~~

~~iii) The Engineer in charge reserves the right to exercise control over the:-~~

~~a) Calibration check of the RMC/Asphalt plant.-~~

~~b) Weight and quantity check on the ingredients, water and admixtures added for batch mixing for RMC plants~~

~~c) Time of mixing of concrete/grade of asphalt.~~

~~d) Testing of fresh concrete/asphalt mix, recording of results and declaring the mix fit or unfit for use. This will include continuous control on the work ability during production and taking corrective action, if required.~~

~~e) For exercising such control, the Engineer in charge shall periodically depute his authorized representative at the RMC/Asphalt plant. It shall be responsibility of the contractor to ensure that all necessary equipment, manpower & facilities are made available to Engineer in charge and or his authorized representative at RMC/Asphalt plant.~~

~~f) All required relevant records of RMC/Asphalt mix shall be made available to the Engineer in charge or his authorized representative. Engineer in charge shall, as required, specify guidelines & additional procedures for quality control~~

~~& other parameters in respect of material production & transportation of concrete mix which shall be binding on the contractor & the RMC/Asphalt plant. Only concrete as approved in design mix by Engineer in charge shall be produced in RMC plant and transported to the site.~~

~~g) The contractor shall have to produce a copy of challan receipts/SCADA reports/VTS reports as issued by the RMC/Asphalt plant as a documentary proof in lieu of supply of RMC/Asphalt mix before releasing payment.~~

28. Identifying Defects

28.1 The Engineer shall check the Contractor's work and notify the Contractor of any Defects that are found. Such checking shall not affect the Contractor's responsibilities. The Engineer may instruct the Contractor to search for a Defect and to uncover and test any work that the Engineer considers may have a Defect.

28.2 The Contractor shall permit the Employer's technical person(s) to check the Contractor's work and notify the Engineer and Contractor if any defects that are found.

29. Tests (If applicable)

29.1 For carrying out mandatory tests as prescribed in the specifications, the Contractor shall establish field laboratory at the location decided by Engineer. The field laboratory will have minimum of equipments as specified in the Contract Data. The contractor shall be solely responsible for:

- a. Carrying out the mandatory tests prescribed in the Specifications, and
- b. For the correctness of the test results, whether performed in his laboratory or elsewhere.

29.2 If the Engineer instructs the Contractor to carry out a test not specified in the Specification/ Quality Assurance Handbook to check whether any work has a Defect and the test shows that it does, the Contractor shall pay for the test and any samples. If there is no defect, the test shall be a compensation event.

When required by the Engineer-in-charge the contractor(s) shall supply for the purpose of testing samples of all materials proposed to be used in the works. Samples submitted either to govern bulk supplies or required for testing before use shall be in suitable packages to contain them and shall be provided free of charge by the contractor. The cost of testing shall be borne by the contractor even if the result of the sample confirm or do not confirm to the relevant BIS code specifications.

- i. All expenditure required to be incurred for taking the samples conveyance, packing shall be borne by the contractor himself.
- ii. The failed material shall be removed from the site by the contractor at his own cost within a week time of written order of the Engineer-in-charge.

29.3 ~~Setting of Site Laboratories:~~

~~Contractors shall set up a laboratory at site before commencement of work at their cost for performing various tests and at least the following machines and equipments shall be provided therein—~~

- ~~1. Set of Sieves as per I.R.C. /I.S.~~
- ~~2. Compressive Testing Machine (For new works)~~
- ~~3. Oven, Electrically Operated~~
- ~~4. Weighing Balance (20 kg capacity)~~
- ~~5. 3 m straight edge~~
- ~~6. Sieve shaker~~
- ~~7. First Aid Box~~
- ~~8. Measuring Jar (for silt content)~~
- ~~9. Other Machines/apparatus as may be directed by the~~

~~Engineer~~

- ~~10. Vernier Caliber~~
- ~~11. Level / Theodolite~~

~~All the test records shall be maintained in the site office and made available as and when required. The laboratory must be established within 15 days from the date of receipt of the orders from Engineer In charge. On failure to do so, a penalty of Rs 1000/- per day shall be imposed.~~

~~The contractor shall install testing equipment at site. The contractor shall ensure and certify the calibration of the equipment so installed and shall maintain the same in working order throughout the period of construction. The contractor shall also provide necessary technically qualified experienced trained staff for carrying out such tests for using such equipment. The tests shall be carried out under the supervision of the Engineer in charge. The calibration shall be checked every twelve months as directed by Engineer in charge.~~

30. Correction of Defects noticed during the Defects Liability Period.

(a) The Engineer shall give notice to the Contractor of any Defects before the end of the Defects Liability Period, which begins at Completion and ends after five years. The Defects Liability Period shall be extended for as long as Defects remain to be corrected.

(b) Every time notice of Defect/Defects is given, the Contractor shall correct the notified Defect/Defects within the duration of time specified by the Engineer's notice.

(c) The Engineer may issue notice to the Contractor to carry out removal of defects or deficiencies, if any, noticed in his inspection, or brought to his notice.

The Contractor shall remove the defects and deficiencies within the period specified in the notice and submit to the Engineer a compliance report.

31. Uncorrected Defects and Deficiencies

31.1 If the Contractor has not corrected a Defect pertaining to the Defect Liability Period under clause and deficiencies in maintenance, to the satisfaction of the Engineer, within the time specified in the Engineer's notice, the Engineer will assess the cost of having the Defect or deficiency corrected, and the Contractor shall pay this amount, on correction of the Defect or deficiency by another agency.

D. Cost Control

32. Variations (Not applicable)

The Engineer shall, having regard to the scope of the Works and the sanctioned estimated cost, have power to order, in writing, Variations within the scope of the Works he considers necessary or advisable during the progress of the Works. Such Variations shall form part of the Contract and the Contractor shall carry them out and include them in updated Programmes produced by the Contractor. Oral orders of the Engineer for Variations, unless followed by written confirmation, shall not be taken into account.

33. Payments for Variations (Not applicable)

33.1 If rates for Variation items are specified in the Bill of Quantities, the Contractor shall carry out such work at the same rate.

33.2 The rate for Extra/Excess shall be governed by clause 10.A of Standard General Condition of Contract

34. Cash Flow Forecasts

When the Programme is updated, the Contractor shall provide the Engineer with an updated cash flow forecast.

35. Payment Certificates

The payment to the Contractor will be as follows for construction work:

- a) A bill shall be submitted by the Contractor monthly or before the date fixed by the Engineer In-charge for all works executed in the previous month, and the Engineer In-charge shall take or cause to be taken requisite measurement for the purpose of having the same verified and the claim, so far as it is admissible, shall be adjusted, if possible, within 10 days from the presentation of the bill. If the contractor does not submit the bill within

the time fixed as aforesaid, the Engineer In-charge may depute a subordinate to measure up the said work in the presence of the contractor or his duly authorized agent whose counter signature to the measurement list shall be sufficient warrant, and Engineer In-Charge may prepare a bill from such list which shall be binding on the contractor in all respects.

- b) The Engineer shall check the Contractor's fortnightly/monthly statement within 14 days and certify the amount to be paid to the Contractor.
- c) The value of work executed shall be determined, based on measurements by the Engineer.
- d) The value of work executed shall comprise the value of the quantities of the items in the Bill of Quantities completed.
- e) The value of work executed shall also include the valuation of Variations and Compensation Events.
- f) The Engineer may exclude any item certified in a previous certificate or reduce the proportion of any item previously certified in any certificate in the light of later information.
- g) The contractor shall submit all bills on the printed forms at the office of Engineer In-charge. The charges to be made in the bills shall always be entered at the rates specified in tender.

36. Payments

36.1 Payments shall be adjusted for deductions for advance payments, retention, security deposit, other recoveries in terms of the Contract and taxes at source, as applicable under the law. The Employer shall pay the Contractor the amounts certified by the Engineer within 15 days of the date of each certificate.

36.2 All sums payable by a contractor by way of compensation under any of these conditions, shall be considered as a reasonable compensation to be applied to the use of Brihanmumbai Municipal Corporation without reference to the actual loss or damage sustained and whether any damage has or has not been sustained.

36.3 The payment of 100 % of total contact cost will be made only after satisfactory completion of work of installation testing and commissioning as per technical specification and scope of work within 30 days upon submission of invoice/ bill thereafter. (max 03 RA Bill)

37. The Contractor shall not be entitled to compensation to the extent that the Employer's interests are adversely affected by the Contractor for not having given early warning or not having cooperated with the Engineer.

38. Tax

G.S.T. and other state levies /cess which are not subsumed under GST will be applicable. The tenderer shall quote inclusive of all taxes applicable at the time of bid submission. It is clearly understood that BMC will not bear any additional liability towards payment of any Taxes & Duties. Wherever the Services to be provided by the Tenderers falls under Reverse Charge Mechanism, the Price quoted shall be exclusive of GST, but inclusive of Taxes / Duties / Cess other than GST, if any. Rates accepted by BMC shall hold good till completion of work and no additional individual claim shall be admissible on account of fluctuations in market rates; increase in taxes / any other levies / tolls etc. except that payment / recovery for overall market situation shall be made as per price variation and if there is any subsequent change (after submission of bid) in rate of GST applicable on the work / services to be executed as per tender, i.e. any increase will be reimbursed by BMC whereas any reduction in the rate of GST shall be passed on to BMC as per the provisions of the GST ACT.

39. Currencies

All payments will be made in Indian Rupees.

40. Liquidated Damages

Both, the Contractor and the Employer have agreed that it is not feasible to precisely estimate the amount of losses due to delay in completion of works and the losses to the public and the economy, therefore, both the parties have agreed that the Contractor shall pay liquidated damages to the Employer and not by way of penalty, at the rate per week or part thereof stated in the Contract Data for the period that the Completion Date is later than the Intended Completion Date. Liquidated damages at the same rates shall be withheld if the Contractor fails to achieve the milestones prescribed in the Contract Data. However, in case the Contractor achieves the next milestone, the amount of the liquidated damages

already withheld shall be restored to the Contractor by adjustment in the next payment certificate. The Employer and the contractor have agreed that this is a reasonable agreed amount of liquidated damage. The Employer may deduct liquidated damages from payments due to the Contractor. Payment of liquidated damages shall not affect the Contractor's other liabilities.

41. Cost of Repairs

Loss or damage to the Works or Materials to be incorporated in the Works between the Start Date and the end of the Defects Correction periods shall be remedied by the Contractor at his cost if the loss or damage arises from the Contractor's acts or omissions.

E. Finishing the Contract

42. Completion of Construction and Maintenance

42.1 The Contractor shall request the Engineer to issue a certificate of completion of the construction of the works, and the Engineer will do so upon deciding that the works is completed. This shall be governed as per clause no.8(g) of Standard General Conditions of Contract.

43. Taking Over

43.1 The Employer shall take over the works within seven days of the Engineer issuing a certificate of completion of works. The Contractor shall continue to remain responsible for its routine maintenance during the maintenance period if specified in the contract.

44. Final Account

Final joint measurement along with the representatives of the contractor should be taken recorded and signed by the Contractors. Contractors should submit the final bill within 1 month of physical completion of the work. If the contractor fails to submit the final bill within 1 month, the Brihanmumbai Municipal Corporation staff will prepare the final bill based on the joint measurement within next 3 months. Engineer's decision shall be final in respect of claims for defect and pending claims against contractors. No further claims should be made by the Contractor after submission of the final bill and these shall be deemed to have been waived and extinguished. Payment of those items of the bills in respect of which there is no dispute and of items in dispute, for quantities and rates as approved by the Commissioner shall be made within a reasonable period as may be necessary for the purpose of verification etc.

After payment of the final bill as aforesaid has been made, the contractor may, if he so desires, reconsider his position in respect of a disputed portion of the final bills and if he fails to do so within 84 days, his disputed claim shall be dealt with as provided in the contract. A percentage of the retention money, over and above the actual retention money as indicated below shall be held back from payments till the finalization of final bill to be submitted as per above and will be paid within 30 days of acceptance of the final bill.

Sr. No.	Amount of Contract Cost	Minimum Payable Amount in final bill
1.	Upto Rs.5 Crs.	Rs.10 Lacs or final bill whichever is more
2.	Upto Rs.25 Crs.	Rs.1 Crore or final bill amount whichever is more
3.	Upto Rs. 50 Crs.	Rs.2 Crores or final bill amount whichever is more

4.	Upto Rs.100 Crs.	Rs.4 Crore or final bill amount whichever is more
5.	More than Rs.100 Crs.	Rs.7 Crore or final bill amount whichever is more

The contractor have to submit the bill for the work carried out within 15 days from the date of completion of the work to the respective executing department. If the contractor fails to submit their bills to concerned executing department, penalty or action as shown below will be taken for each delayed bill:-

After 15 days from the date of completion/running bill upto certain date, upto next 15 days i.e. upto 30 days	Equal to 5% of bill amount
Next 15 days upto 45 days from the date of completion/running bill upto specified date	Equal to 10% of bill amount
If not submitted within 45 days from the date of completion/ R.A. bill	Bill will not be admitted for payment.

45. Operating and Maintenance Manuals

45.1	If "as built" Drawings and/or operating and maintenance manuals are required, the Contractor shall supply them by the dates stated in the Contract Data.
45.2	If the Contractor does not supply the Drawings and/or manuals by the dates stated in the Contract Data, or they do not receive the Engineer's approval, the Engineer shall withhold the amount stated in the Contract Data from payments due to the Contractor.

46. Termination

46.1 The Employer or the Contractor may terminate the Contract if the other party causes a fundamental breach of the Contract.

46.2 Fundamental breaches of Contract shall include, but shall not be limited to, the following:

- a) The Contractor stops work for 30 days when no stoppage of work is shown on the current Programme and the stoppage has not been authorized by the Engineer;
- b) The Contractor is declared as bankrupt or goes into liquidation other than for approved reconstruction or amalgamation;
- c) The Engineer gives Notice that failure to correct a particular Defect is a fundamental breach of Contract and the Contractor fails to correct it within a reasonable period of time determined by the Engineer;

- d) The Contractor does not maintain a Security, which is required;
- e) The Contractor has delayed the completion of the Works by the number of days for which the maximum amount of liquidated damages can be paid, as defined in relevant clause.
- f) The Contractor fails to provide insurance cover as required under relevant clause .
- g) If the Contractor, in the judgment of the Employer, has engaged in the corrupt or fraudulent practices as defined in GCC in competing for or in executing the Contract.
- h) If the Contractor fails to set up a field laboratory with the prescribed equipment, within the period specified in the Contract Data; and
- i) Any other fundamental breaches as specified in the Contract Data.
- j) If the Contractor fails to deploy machinery and equipment or personnel as specified in the Contract Data at the appropriate time.

46.3 When either party to the contract gives notice of a breach of contract to the Engineer for a cause other than those listed above, the Engineer shall decide whether the breach is fundamental or not.

46.4 Notwithstanding the above, the Employer may terminate the Contract for convenience.

46.5 If the Contract is terminated, the Contractor shall stop work immediately, make the Site safe and secure, and leave the Site as soon as reasonably possible.

47. Payment upon Termination

47.1 If the Contract is terminated because of a fundamental breach of Contract by the Contractor, the Engineer shall issue a certificate for value of the work done and materials ordered less liquidated damages, if any, less advance payments received up to the date of the issue of the certificate and less the percentage to apply to the value of the work not completed, as indicated in the Contract Data. If the total amount due to the Employer exceeds any payment due to the Contractor, the difference shall be recovered from the security deposit, and performance security. If any amount is still left un-recovered it will be a debt due from the Contractor to the Employer

47.2 If the Contract is terminated at the Employer's convenience, the Engineer shall issue a certificate for the value of the work done, the reasonable cost of removal of Equipment, repatriation of the Contractor's personnel

employed solely on the Works, and the Contractor's costs of protecting and securing the Works and less advance payments received up to the date of the certificate, less other recoveries due in terms of the Contract, and less taxes due to be deducted at source as per applicable law.

48. Property

All Materials on the Site, Plant, Equipment, Temporary Works, and Works shall be deemed to be the property of the Employer for use for completing balance construction work if the Contract is terminated because of the Contractor's default, till the Works is completed after which it will be transferred to the Contractor and credit, if any, given for its use.

49. Release from Performance

If the Contract is frustrated by the outbreak of war or by any other event entirely outside the control of the Employer or the Contractor, the Engineer shall certify that the Contract has been frustrated. The Contractor shall make the Site safe and stop work as quickly as possible after receiving this certificate and shall be paid for all work carried out before receiving it and for any work carried out afterwards to which a commitment was made.

A) Other Conditions of Contract

50. Labour

50.1 The Contractor shall, unless otherwise provided in the Contract, make his own arrangements for the engagement of all staff and labour, local or other, and for their payment, housing, feeding and transport.

50.2 The Contractor shall, if required by the Engineer, deliver to the Engineer a return in detail, in such form and at such intervals as the Engineer may prescribe, showing the staff and the number of the several classes of labour from time to time employed by the Contractor on the Site and such other information as the Engineer may require.

51. Compliance with Labour Regulations

- a) During continuance of the Contract, the Contractor and his sub-Contractors shall abide at all times by all existing labour enactments and rules made there under, regulations, notifications and bye laws of the State or Central Government or local authority and any other labour law (including rules), regulations, bye laws that may be passed or notification that may be issued under any labour law in future either by the State or

the Central Government or the local authority.

- b) Furthermore, the Contractor shall keep the Employer indemnified in case any action is taken against the Employer by the competent authority on account of contravention of any of the provisions of any Act or rules made there under, regulations or notifications including amendments. If the Employer is caused to pay or reimburse, such amounts as may be necessary to cause or observe, or for non-observance of the provisions stipulated in the notifications/bye laws/Acts/Rules/regulations including amendments, if any, on the part of the Contractor, the Engineer/Employer shall have the right to deduct any money due to the Contractor including his amount of performance guarantee. The Employer/Engineer shall also have right to recover from the Contractor any sum required or estimated to be required for making good the loss or damage suffered by the Employer.
- c) The Contractor shall require his employees to obey all applicable laws, including those concerning safety at work.
- d) The employees of the Contractor and the Sub-Contractor in no case shall be treated as the employees of the Employer at any point of time.

52. Drawings and Photographs of the Works

52.1 The Contractor shall do photography/video photography of the site firstly before the start of the work, secondly mid-way in the execution of different stages of work as required by Engineer In-charge and lastly after the completion of the work. No separate payment will be made to the Contractor for this.

52.2 The Contractor shall not disclose details of Drawings furnished to him and works on which he is engaged without the prior approval of the Engineer in writing. No photograph of the works or any part thereof or plant employed thereon, except those permitted under above clause, shall be taken or permitted by the Contractor to be taken by any of his employees or any employees of his sub-Contractors without the prior approval of the Engineer in writing. No photographs/ Video photography shall be published or otherwise circulated without the approval of the Engineer in writing.

53. The Apprentices Act, 1961:

The Contractor shall duly comply with the provisions of the Apprentices Act 1961 (III of 1961), the rules made there under and the orders that may be issued from time to time under the said Act and the said Rules and on his failure or neglect to do so, he shall be subject to all liabilities and penalties provided by the said Act and said Rules.

54. Contract Document

The documents forming the contract are to be taken as mutually explanatory of one another. Unless otherwise provided in the contract, the priority of the documents forming the contract shall be, as follows:

- 1) Contract Agreement (if completed)
- 2) The letter of Acceptance
- 3) The Bid:
- 4) Addendum to Bid; if any
- 5) Tender Document
- 6) The Bill of Quantities:
- 7) The Specification:
- 8) Detailed Engineering Drawings
- 9) Standard General Conditions of Contracts (GCC)
- 10) All correspondence documents between bidder/contractor and Brihanmumbai Municipal Corporation.

55. Conflict of Interest

The Applicant shall not have a conflict of interest (the "Conflict of Interest") that affects the Bidding Process. Any Applicant found to have a Conflict of Interest shall be disqualified. An Applicant shall be deemed to have a Conflict of Interest affecting the Bidding Process, if

- 1) A constituent of such Applicant is also a constituent of another Applicant;
or
- 2) Such Applicant has the same legal representative for purposes of this Application as any other Applicant; or
- 3) Such Applicant, or any Associate thereof has a relationship with another Applicant, or any Associate thereof, directly or through common third party/ parties, that puts either or both of them in a position to have access to each other's information about, or to influence the Application of either or each other; or
- 4) The Applicant shall be liable for disqualification if any legal, financial or technical adviser of the Authority in relation to the Project is engaged by the

Applicant, its Member or any Associate thereof, as the case may be, in any manner for matters related to or incidental to the Project. For the avoidance of doubt, this disqualification shall not apply where such adviser was engaged by the Applicant, its Member or Associate in the past but its assignment expired or was terminated 6 (six) months prior to the date of issue of this TENDER. Nor will this disqualification apply where such adviser is engaged after a period of 3(three) years from the date of commercial operation of the Project.

56. Applications and costs thereof

No Applicant shall submit more than one Application for the Project. An applicant applying individually shall not be entitled to submit another application either individually. The Applicant shall be responsible for all of the costs associated with the preparation of their Applications and their participation in the Bid Process. The Authority will not be responsible or in any way liable for such costs, regardless of the conduct or outcome of the Bidding Process.

57. Acknowledgment by Applicant

It shall be deemed that by submitting the Application, the Applicant has:

- a) made a complete and careful examination of the tender;
- b) received all relevant information requested from the Authority;
- c) accepted the risk of inadequacy, error or mistake in the information provided in the tender or furnished by or on behalf of the Authority relating to any of the matters referred; and
- d) Agreed to be bound by the undertakings provided by it under and in terms hereof.

“The Authority” shall not be liable for any omission, mistake or error in respect of any of the above or on account of any matter or thing arising out of or concerning or relating to the TENDER or the Bidding Process, including any error or mistake therein or in any information or data given by the Authority.

58. Right to accept or reject any or all Applications/ Bids

Notwithstanding anything contained in this TENDER, “The Authority” reserves the right to accept or reject any Application and to annul the Bidding Process and reject all Applications/ Bids, at any time without any liability or any obligation for such acceptance, rejection or annulment, and without assigning any reasons therefore. In the event that the Authority rejects or annuls all the

Bids, it may, in its discretion, invite all eligible Bidders to submit fresh Bids hereunder.

“The Authority” reserves the right to reject any Application and/ or Bid if:

(a) at any time, a material misrepresentation is made or uncovered,

or

(b) the Applicant does not provide, within the time specified by the Authority, the supplemental information sought by the Authority for evaluation of the Application.

In case it is found during the evaluation or at any time before signing of the Agreement or after its execution and during the period of subsistence thereof including the concession thereby granted by “The Authority”, that one or more of the pre-qualification conditions have not been met by the Applicant, or the Applicant has made material misrepresentation or has given any materially incorrect or false information, the Applicant shall be disqualified forthwith if not yet appointed as the Successful Bidder either by issue of the LOA (Letter of Approval) or entering into of the Agreement, and if the Applicant has already been issued the LOA or has entered into the Concession Agreement, as the case may be, the same shall, notwithstanding anything to the contrary contained therein or in this TENDER, be liable to be terminated, by a communication in writing by “The Authority” to the Applicant, without the Authority being liable in any manner whatsoever to the Applicant and without prejudice to any other right or remedy which the Authority may have under this TENDER, the Bidding Documents, the Concession Agreement or under applicable law.

“The Authority” reserves the right to verify all statements, information and documents submitted by the Applicant in response to the TENDER. Any such verification or lack of such verification by the Authority shall not relieve the Applicant of its obligations or liabilities hereunder nor will it affect any rights of the Authority there under.

59. The bid shall be rejected if the bidder-

- a. Stipulates the validity period less than 180 days.
- b. Stipulates own condition/conditions.
- c. Does not fill and (digital) sign undertaking forms, which are incorporated, in the document.

60. Clarifications

Applicants requiring any clarification on the tender may notify “the Authority” in writing or by fax or e-mail. They should send in their queries before the date specified in the header data. “The Authority” shall Endeavor to respond to the queries within the period specified therein. The responses will be sent by fax

and/or e-mail. The Authority will forward all the queries and its responses thereto, to all purchasers of the TENDER without identifying the source of queries.

“The Authority” shall Endeavor to respond to the questions raised or clarifications sought by the Applicants. However, the Authority reserves the right not to respond to any question or provide any clarification, in its sole discretion, and nothing in this Clause shall be taken or read as compelling or requiring the Authority to respond to any question or to provide any clarification, but not later than the date provided in header data.

“The Authority” may also on its own motion, if deemed necessary, issue interpretations and clarifications to all Applicants. All clarifications and interpretations issued by the Authority shall be deemed to be part of the tender. Verbal clarifications and information given by Authority or its employees or representatives shall not in any way or manner be binding on the Authority.

61. Amendment of tender

At any time prior to the deadline for submission of Application, the Authority may, for any reason, whether at its own initiative or in response to clarifications requested by an Applicant, modify the tender by the issuance of Addendum.

Any Addendum thus issued will be sent in writing/ Fax/ Email to all those who have purchased the tender.

In order to afford the Applicants a reasonable time for taking an Addendum into account, or for any other reason, the Authority may, in its sole discretion, extend the Application Due Date.

62. Language

The Application and all related correspondence and documents in relation to the Bidding Process shall be in English language. Supporting documents and printed literature furnished by the Applicant with the Application may be in any other language provided that they are accompanied by translations of all the pertinent passages in the English language, duly authenticated and certified by the Applicant. Supporting materials, which are not translated into English, may not be considered. For the purpose of interpretation and evaluation of the Application, the English language translation shall prevail.

63. Format and signing of Application

The Applicant shall provide all the information sought under this TENDER. The Authority will evaluate only those Applications that are received in the required formats and complete in all respects. Incomplete and /or conditional Applications shall be liable to rejection.

The Applicant will upload bid in One Folder in electronic form which shall contain the scanned certified copies of the documents given below and the documents uploaded has to be digitally signed by the bidder. These copies shall be certified by Practicing Notary approved by the Govt. of Maharashtra or Govt. of India with his stamp, clearly stating his name & registration number, except where original documents are demanded

64. Marking of Applications

The Applicant shall submit the Application in the format specified at Appendix-I, together with the documents, upload in folder as “VENDOR” together with their respective enclosures

Applications submitted by fax, telex, telegram shall not be entertained and shall be rejected outright.

65. Late Applications:-Applications received by the Authority after the specified time on the Application Due Date shall not be eligible for consideration and shall be summarily rejected.

66. Confidentiality

Information relating to the examination, clarification, evaluation, and recommendation for the short-listed qualified Applicants shall not be disclosed to any person who is not officially concerned with the process or is not a retained professional advisor advising the Authority in relation to or matters arising out of, or concerning the Bidding Process. The Authority will treat all information, submitted as part of Application, in confidence and will require all those who have access to such material to treat the same in confidence. The Authority may not divulge any such information unless it is directed to do so by any statutory entity that has the power under law to require its disclosure or is to enforce or assert any right or privilege of the statutory entity and/ or the Authority or as may be required by law or in connection with any legal process.

67. Clarification of Financial Bids

To assist in the examination, evaluation and comparison of Bids, the Engineer may, at his discretion, ask any bidder for clarification of his Bid, including breakdown of unit rates. The request for clarification and the response shall be in writing or by post/facsimile/e-mail. No Bidder shall contact the Engineer on any matter relating to his bid from the time of the bid opening to the time the contract is awarded. Any effort by the Bidder to influence the Engineer in the Engineer’s bid evaluation, bid comparison or contract award decisions may result in the rejection of the Bidder’s bid.

68. Inspection of site and sufficiency of tender:

1. The Contractor shall inspect and examine the site and its surrounding and shall satisfy himself before submitting his tender as to the nature of the ground and subsoil (so far as is practicable), the form and nature of the site, the quantities and nature of the work and materials necessary for the completion of the works and means of access to the site, the accommodation he may require and in general shall himself obtain all necessary information as to risk, contingencies and other circumstances which may influence or affect his tender. He shall also take into consideration the hydrological and climatic conditions.

2. The Employer may make available to the Contractor data on hydrological and sub-surface conditions as obtained by or on his behalf from investigations relevant to the works but the Contractor shall be responsible for his own interpretation thereof. The contractor shall engage his investigating agency with prior approval of the Engineer from the approved list of such agencies by Brihanmumbai Municipal Corporation or Govt at his cost initially before commencing actual work and which shall be reimbursed immediately subject to satisfaction of the Engineer for faithful compliance and submission of required data regarding such investigation within specified time.

3. The Contractor shall be deemed to have satisfied himself before tendering as to the correctness and sufficiency of his tender for the works and of the rates and prices quoted in the schedule of works / items / quantities, or in Bill of Quantities, which rates and prices shall, except as otherwise provided cover all his obligations under the Contract and all matters and things necessary for proper completion and maintenance of the works. No extra charges consequent on any misunderstanding.

4. **Not Foreseeable Physical Obstructions or Conditions:** If, however, during the execution of the Works the Contractor encounters physical obstructions or physical conditions, other than climatic conditions on the Site, which obstructions or conditions were, in his opinion, not foreseeable by an experienced contractor, the Contractor shall forthwith give notice thereof to the Engineer. On receipt of such notice, the Engineer shall, if in his opinion such obstructions or conditions could not have been reasonably foreseen by an experienced contractor, after due consultation with the Contractor, determine:

- any extension of time to which the Contractor is entitled and
- The amount of any costs which may have been incurred by the Contractor by reason of such obstructions or conditions having been encountered, which shall be added to the Contract Price.

- and shall notify the Contractor accordingly. Such determination shall take account of any instruction which the Engineer may issue to the Contractor in connection therewith, and any proper and reasonable measures acceptable to the Engineer which the Contractor may take in the absence of specific instructions from the Engineer. However such costing shall be got approved by the competent authority as governed vide rules prevailing with authority.

5. Office for the Engineer (Works costing upto Rs.50 Lakhs) (Not applicable to this Tender)

The Contractor shall at his own cost and to satisfaction of the Engineer provide a small temporary office, at the work-site which will include tables, chairs and lockers for keeping the records. He shall also make necessary arrangements for drinking water, telephone with a pre-requisite of e-governance and electronic communication. These offices are not to be allowed on public roads without the written instruction of the Engineer. These offices should be preferably located within 50 to 500 m of the work site. In case the office is more than 500m away from the work site, the contractor is to provide conveyance for Municipal Staff.

6. Office for the Engineer (Works costing above Rs.50 lakhs) (Not applicable)

The Contractor shall at his own cost and to satisfaction of the Engineer provide a temporary office at the work-site which will include tables, chairs and lockers for keeping the records. He shall also make necessary arrangements for drinking water, latrines, with doors, windows, locks, bolts and fastenings sufficient for security for the Engineer, and his subordinates, as close to the works from time to time in progress as can be conveniently arranged, and shall at his own cost furnish the office with such chairs, tables, lockers, locks and fastenings as may be required by the Engineer, and no expense of any kind in connection with the erection or upkeep of the offices or fittings shall be borne by the Corporation, but all such work shall be carried out by the Contractor and the expenses thereof defrayed by him. The Contractor shall also make water connections and fit up stand pipe with a bib tap at each office. The latrines and the water connections shall be subject to all the conditions herein elsewhere laid down for temporary water connection and latrines generally with all requisite equipments for e-governance and electronic and digital communication. These offices are not to be allowed on public roads without the written instruction of the Engineer. These offices should be preferably located within 50 to 500 m of the work site. In case the office is more than 500m away from the work site, the contractor is to provide conveyance. Also, for staff working beyond working hours the contractor has to provide conveyance.

**7. Permission for provision and removal of office on completion of work:
(Not applicable to this Tender)**

The tenderer shall obtain permission for provision of site office, cement go-down, store, etc. on payment of necessary cost implication. The cement go-down, Watchman cabins, etc. shall be provided as directed and shall be removed by the Tenderers on completion of the work at their cost. It is binding on the Tenderer to fulfill requirements of Environmental Authorities. The location of such office shall be finalized and got approved from the Engineer before erection/commencement work.

8. Contractor's office near works: The Contractor shall have an office near the works at which notice from the Commissioner or the Engineer may be served and shall, between the hours of sunrise and sunset on all working days, have a clerk or some other authorized person always present at such office upon whom such notices may be served and service of any notices left with such clerk or other authorized person or at such office shall be deemed good service upon the Contractor and such offices shall have pre-requisite facilities for e-governance.

69. Official Secrecy:

The Contractor shall of all the persons employed in any works in connection with the contract that the India Official Secrets Act 1923 (XIX of 1923) applies to them and will continue to apply even after execution of the said works and they will not disclose any information regarding this contract to any third party. The contractor shall also bring into notice that, any information found to be leaked out or disclosed the concern person as well as the Contractor will be liable for penal action; further the Corporation will be at liberty to terminate the contract without notice.

70. Subsequent Legislation:

If on the day of submission of bids for the contract, there occur changes to any National or State statute, Ordinance, decree or other law or any regulation or By-laws or any local or other duly constituted authority or the introduction of any such National or State Statute, Ordinance, decree or by which causes additional or reduced cost to the Contractor, such additional or reduced cost shall, after due consultation with the Contractor, be determined by the concerned Engineering Department of Brihanmumbai Municipal Corporation and shall be added to or deducted from the Contract Price with prior approval of competent authority and the concerned Engineering Department shall notify the Contractor accordingly with a copy to the Employer. Brihanmumbai Municipal Corporation reserve the right to take decision in respect of addition/reduction of cost in contract.

71. Patent, Right and Royalties:

The contractor shall save harmless and indemnify the Corporation from and against all claims and proceedings for or on account of infringement of any Patent rights, design trademark or name of other protected rights in respect of any constructional plant, machine work, or material used for or in connection with the Works or any of them and from and against all claims, proceedings, damages, costs, charges and expenses whatsoever in respect thereof or in relation thereto. Except where otherwise specified, the contractor shall pay all tonnage and other royalties, rent and other payments or compensation, if any, for getting stone, sand, gravel, clay or other materials required for the works or any of them.

72. Payments, Tax and Claims:**● The limit for unforeseen claims**

Under no circumstances whatever the contractor shall be entitled to any compensation from Brihanmumbai Municipal Corporation on any account unless the contractor shall have submitted a claim in writing to the Eng-in-change within 1 month of the case of such claim occurring.

● No interest for delayed payments due to disputes, etc:

It is agreed that the Brihanmumbai Municipal Corporation or its Engineer or Officer shall not be liable to pay any interest or damage with respect of any moneys or balance which may be in its or its Engineer's or officer's hands owing to any dispute or difference or claim or misunderstanding between the BMC or its Engineer or Officer on the one hand and the contractor on the other, or with respect to any delay on the part of the BMC or its Engineer or Officers in making periodical or final payments or in any other respect whatever.

73. Settlement of Disputes:**● Termination of contract for death**

If the Contractor is an individual or a proprietary concern and the individual or the proprietor dies and if the Contractor is a partnership concern and one of the legal representative of the individual Contractor or the proprietor of the proprietary concern and in case of partnership, the surviving partners, are capable of carrying out and completing the contract, the Commissioner shall be entitled to cancel the contract as to its uncompleted part without the Corporation being in any way liable to payment of any compensation to the estate of the deceased Contractor and or to the surviving partners of the Contractor's firm on account of the cancellation of the contract. The decision of the Commissioner that the legal representative of the deceased Contractor or surviving partners of the Contractor's firm cannot carry out and complete the contract shall be final

and binding on the parties. In the event of such cancellation the Commissioner shall not hold estate of the deceased Contractor and or surviving partners of the Contractor's firm liable in damages for not completing the contract.

● **Settlement of Disputes:**

If any dispute or differences of any kind whatsoever other than those in respect of which, the decision of any person is, by the Contract, expressed to be final and binding) shall arise between the Employer and the Contractor or the Engineer and the Contractor in connection with or arising out of the Contract or carrying out of the Works (Whether during the progress of the Works or after their completion and whether before or after the termination, abandonment or breach of the Contract) it, the aggrieved party may refer such dispute within a period of 7 days to the concerned Addl. Municipal Commissioner who shall constitute a committee comprising of three officers i.e. concerned Deputy Municipal Commissioner or Director (ES&P), Chief Engineer other than the Engineer of the Contract and concerned Chief Accountant. The Committee shall give decision in writing within 60 days. Appeal on the Order of the Committee may be referred to the Municipal Commissioner within 7 days. Thereafter the Municipal Commissioner shall constitute a Committee comprising of three Addl. Municipal Commissioners including Addl. Municipal Commissioner in charge of Finance Department. The Municipal Commissioner within a period of 90 days after being requested to do so shall give written notice of committee's decision to the Contractor. Save as herein provided such decision in respect of every matter so referred shall be final and binding upon both parties until the completion of the works, and shall forthwith be given effect to by the Contractor who shall proceed with the works with due diligence, whether he requires arbitration as hereinafter provided or not. If the Commissioner has given written notice of the decision to the Contractor and no Claim to arbitration has been communicated within a period of 90 days from receipt of such notice the said decision shall remain final and binding upon the Contractor.

74. Arbitration and Jurisdiction:

If the Commissioner shall fail to give notice of the decision as aforesaid within a period of 90 days after being requested as aforesaid, or if the Contractor be dissatisfied with any such decision, then and in any such case the Contractor may within 90 days after receiving notice of such decision or within 90 days after the expirations of the first named period of 90 days (as the case may be) require that the matter or matters in dispute be referred to arbitration as hereinafter provided. All disputes or differences in respect of which the decision (if any) of the Commissioner has not become final and binding as aforesaid shall be finally settled by Arbitration as follows:

Arbitration shall be effected by a single arbitrator agreed upon the parties. The arbitration shall be conducted in accordance with the provisions of the Arbitration Act, 1996 or any statutory modifications thereof, and shall be held at such place and time within the limits of Brihan Mumbai as the arbitrator may determine. The decision of the arbitrator shall be final and binding upon the parties hereto and the expense of the arbitration shall be paid as may be determined by the arbitrator. Performance under the Contract shall, if reasonably be possible, continued during the arbitration proceedings and payment due to the Contractor by the Employer shall not be withheld unless they are the subject matter of arbitration proceedings. The said arbitrator shall have full power to open up, review and revise any decision, opinion, direction, certification or valuation of the Commissioner and neither party shall be limited in the proceedings before such arbitrator to the evidence or arguments put before the Commissioner for the purpose of obtaining his said decision. No decision given by the Commissioner in accordance with the foregoing provisions shall disqualify him from being called as a witness and giving evidence before the arbitrator on any matters whatsoever relevant to the disputes or difference referred to the arbitrator as aforesaid. All awards shall be in writing and for claims equivalent to 5,00,000 or more such awards shall state reasons for amounts awarded. The expenditure of arbitration shall be paid as may be determined by arbitrator.

In case of any claim, dispute or difference arising in respect of a contract, the cause of action thereof shall be deemed to have arisen in Mumbai and all legal proceedings in respect of any claim, dispute or difference shall be instituted in a competent court in the City of Mumbai only.

75. Copyright:

The copyright of all drawings and other documents provided by the Contractor under the contract shall remain vested in the Contractor or his sub-contractors as the case may be the employer shall have a license to use such drawings and other documents in connection with the design, construction, operation, maintenance of the works. At any time the Employer shall have further license without additional payment to the Contractor to use any such drawings or documents for the purpose of making any improvement of the works or enlargement or duplication of any part thereof, provided that such improvement, enlargement, or duplication by itself or in conjunction with any other improvements, enlargements or duplications already made in accordance with the further license does not result in the duplication of the whole works.

76. Receipts to be signed in firm's name by any one of the partners:

Every receipt for money which may become payable or for any security which may become transferable to the Contractor under these present shall, if signed in the partnership name by any one of the partners, be a good and sufficient discharge to the Commissioner and Municipal Corporation in respect of the money or security purporting to be acknowledged thereby, and in the event of death of any of the partners during the pendency of this contract, it is hereby expressly agreed that every receipt by any one of the surviving partners shall, if so signed as aforesaid, be good and sufficient discharge as aforesaid provided that nothing in this clause contained shall be deemed to prejudice or effect any claim which the Commissioner or the Corporation may hereafter have against the legal representatives of any partners so dying or in respect of any breach of any of the conditions thereof, provided also that nothing in this clause contained shall be deemed prejudicial or affect the respective rights or obligations of the Contractors and of the legal representatives of any deceased Contractors interest.

77. Proprietary data

All documents and other information supplied by the Authority or submitted by an Applicant to the Authority shall remain or become the property of the Authority. Applicants are to treat all information as strictly confidential and shall not use it for any purpose other than for preparation and submission of their Application. The Authority will not return any Application or any information provided along therewith.

78. Correspondence with the Applicant

Save and except as provided in this TENDER, the Authority shall not entertain any correspondence with any Applicant in relation to the acceptance or rejection of any Application.

79. Price Variation Clause (NOT APPLICABLE)

The Contractor shall be reimbursed or shall refund to the Corporation as he case may be the variation in the value of the work carried out from time to time, depending on whether the prices of material and labour as a whole rise or fall, and the method adopted for such computations shall be as given below, it being clearly understood that the contractor shall have no claim for being reimbursed on the ground that the price of a particular material or group of materials have risen beyond the limits of the presumptions made in the following paras, however, no price variations shall be made applicable for contracts up to 12 months:

a) Controlled materials: Price variations shall be permitted in respect of these materials the price level of which is controlled by the Government or its agency. The rate ruling on the date of submission of the tender shall be considered as the

basic price of such material for adjustment. Any variation in this rate shall be considered for reimbursement to the contractor or refund to be claimed from the contractor as the case may be. The contractor shall, for the purpose of adjustment submit in original the relevant documents from the suppliers.

b) Labour and other materials: For the purpose of this contract and for allowing reimbursement of refund on account of variation of prices of (i) labour, and (ii) materials other than materials mentioned in A above, computation will be based on the formula enunciated below which is based on the presumptions that :

i. The general price level of labour, rises or falls in proportion to the rise or fall of consumer price index number 9 (general) for working class in Mumbai.

ii. The general price level of materials rises or falls in proportion to rise or fall of whole-sale price index as published by 'Economic Adviser to Govt. of India'.

iii. And that the component of labour is to the extent of 30 percent of 88 percent and the component of materials is to the extent of 70 percent of 88 percent of the value of the work carried out. The remaining 12 percent being the presumptive profit of the contractor.

a. Formula for Labour component:

$$VL = \frac{(0.88 R) \times 30}{100} \times \frac{(I - IO)}{IO}$$

b. Formula for Material component :

$$VM = \frac{(0.88 R \times 70 - C)}{100} \times \frac{(W - WO)}{WO}$$

Where -

VL = Amount of price variation to be reimbursed or claimed as refund on account of general rise or fall of index referred to above.

I = Consumer Price Index number of working class for Mumbai (declared by the Commissioner of Labour and Director of Employment, Mumbai) applicable to the period under reference (base year ending 2004-05 as 100 i.e. new series of indices).

IO = Consumer price index number for working class for Mumbai (declared by the Commissioner of labour and Director of Employment, Mumbai) prevailing, on the day of 28 days prior to the date of submission of the tender.

VM = The amount of price variation to be reimbursed or claimed as refund on account of general rise or fall of wholesale price index for period under reference.

W = Average wholesale price index as published by Economic Adviser to Govt. of India applicable to the period under reference.

WO = Wholesale price index as stated above prevailing on the day of 28 days prior to the date of submission of the tender.

R = Total value of the work done during the period under reference as recorded in the Measurement Book excluding water charges and sewerage charges but including cost of excess in respect of item upto 50 percent

C = Total value of Controlled materials used for the works as recorded in Measurement Book and paid for at original basic rate plus the value of materials used.

i. The quantity of the Controlled material adopted in working out the value of 'C' shall be inclusive of permitted wastages as / if mentioned in specifications.

ii. The basic rate for the supply of controlled material shall be inclusive of all the components of cost of materials excluding transport charges incurred for bringing the material from place of delivery to the site. Computations based on the above formula will be made for the period of each bill separately and reimbursement will be made to (when the result is plus) and refund will claimed from (when the result is minus) the contractor's next bill. The above formulae will be replaced by the formulae in Annexure-I as and when mentioned in special conditions of contract The operative period of the contract for application of price variation shall mean the period commencing from the date of commencement of work mentioned in the work order and ending on the date when time allowed for the work order and ending on the date when time allowed for the work specified in the contract for work expires, taking into consideration, the extension of time, if any, for completion of the work granted by Engineer under the relevant clause of the conditions of contract in cases other than those where such extension is necessitated on account of default of the contractor. The decision of the Engineer as regards the operative period of the contract shall be final and binding on the contractors.

i. Where there is no supply of controlled items to contractor the component 'C' shall be taken as zero.

C) Adjustment after completion: If the Contractor fails to complete the works within the time for completion adjustment of prices thereafter until the date of completion of the works shall be made using either the indices or prices relating to the prescribed time for completion, or the current indices or prices whichever is more favorable to the employer, provided that if an extension of time is granted, the above provision shall apply only to adjustments made after the expiry of such extension of time.

D) Price variation will be calculated similarly and separately for extra items and / or excess quantities and provisional sums calculated under Sub Clause 10 (b)A (i)&(ii) and Sub Clause 10

(b) B(ii) based on the above formula/formulae in Annexure-I as and when mentioned in Special conditions of contract; IO and WO being the indices applicable to the date on which the rates under Sub Clause 10 (a)A (i)&(ii) and Sub Clause 10 (a) B(iii) are fixed. No price variation shall be admissible for FAIR items created during execution.

80. Maximum Price Variation shall be as follows: N.A. as per clause no. 79 above.

Time Period of Project	Maximum limit of Price Variation
Up to 12 months	No variation allowed
Above 12 months to 24 months	5%
Above 24 months	10 %

***Approval of AMC/MC shall be obtained before invitation of tender in case of any changes in above.**

Note:

1) The extension in time period for the projects originally estimated including monsoon results in change of price variation slabs as mentioned above i.e. from first slab to second slab or from second slab to third slab, then the maximum limit of original slab will prevail.

2) Operative period shall mean original or extended time period of contract. **For example:**

Extension of Time period	Maximum Price Variation
If original period of 11 months including monsoon extends to 16. The operative period will be 11+5 months.	No variation allowed
If original period of 11 months excluding monsoon extends to 16. The operative period will be 11+5 months.	Maximum 5% variation allowed

Price Variation during Extended Period of Contract:

i. Extension Due To Modification & Extension for delay due to Brihanmumbai Municipal Corporation :

The price variation for the period of extension granted shall be limited to the amount payable as per the Indices. In case the indices increases or decreases, above/below the indices applicable, to the last month of the original or extended period vide clause 8(1)(a)(i) and (ii) of standard GCC

ii. Extension Of Time For Delay Due To Contractor :

a. The price variation for the period of extension granted shall be limited to the amount payable as per the Indices in case the indices increase, above the indices applicable, to the last month of the original completion period or the extended period vide above clause 8(l) (a)(i) and (ii) of standard GCC.

b. The price variation shall be limited to the amount payable as per the indices, in case the indices decrease or fall below the indices applicable, to the last month of original / extended period of completion period vide above clause 8(l)(b) of standard GCC, then lower indices shall be adopted.

i. Extension of Time For Delay due to reasons not attributable to Brihanmumbai Municipal Corporation and Contractor (Reference Cl.8(d) of Standard GCC):

The price variation for the period of extension granted shall be limited to the amount payable as per the Indices in case the indices increases or decreases, above/below the indices applicable, to the last month of the original period.

81. Payment:

Interim Payment:(Not applicable)

i) Interim bills shall be submitted by the Contractor from time to time (but at an interval of not less than one month) for the works executed. The Engineer shall arrange to have the bills verified by taking or causing to be taken, where necessary, the requisite measurement of work.

ii) Payment on account for amount admissible shall be made on the Engineer certifying the sum to which the Contractor is considered entitled by way of interim payment for all the work executed, after deducting there from the amount already paid, the security deposit / retention money and such other amounts as may be deductible or recoverable in terms of the contract.

iii) On request, the contractor will be paid upto 75 percent of the value of the work carried out as an adhoc payment in the first week of next month after deducting there from recoveries on account of advances, interest, retention money, income tax etc. The balance payment due will be paid thereafter.

iv) No interim payment will be admitted until such time the Contractor have fully complied with the requirement of the Condition no.8 (g) and 8 (h) concerning submission and approval of Network Schedule for the works, as detailed in Condition 8 (h). A fixed sum shall be held in abeyance at the time of next interim payment for non-attainment of each milestone in the network and shall be released only on attainment of the said milestone.

v) An interim certificate given relating to work done or material delivered may be modified or corrected by a subsequent interim certificate or by the final certificate. No certificate of the Engineer supporting an interim payment shall of

itself be conclusive evidence that any work or materials to which it relates is / are in accordance with the contract.

82. Banning/De-Registration of Agencies of Construction works in Brihanmumbai Municipal Corporation

The regulations regarding Demotion/ Suspension Banning for specific period or permanently / De-Registration shall be governed as per the respective condition in Contractor Registration Rules of Brihanmumbai Municipal Corporation.

83. JOINT VENTURE: (Not Applicable): In case if Joint Venture is allowed for the Project, the guidelines for JV as follows shall be incorporated in the Tender Document:

- a) Joint Venture should be allowed only when the number of identifiable different works is more than one and/or the estimated cost of tender is more than Rs.100 Crores. JV shall also be allowed for complex technical work below Rs.100 Crores with the approval of concerned AMC
- b) Separate identity/name shall be given to the Joint Venture firm.
- c) Number of members in a JV firm shall not be more than three in normal circumstances, if the work involves only one discipline (say Civil or Electrical). If number of members in JV is required to be more than three, then approval of concerned AMC needs to be sought.
- d) A member of JV firm shall not be permitted to participate either in individual capacity or as a member of another JV firm in the same tender.
- e) The tender form shall be purchased and submitted in the 'name of the JV firm or any constituent member of the JV.
- f) Normally EMD shall be submitted only in the name of the JV and not in the name of constituent member. However, EMD in the name of lead partner can be accepted subject to submission of specific request letter from lead partner stating the reasons for not submitting the EMD in the name of JV and giving written confirmation from the JV partners to the effect that the EMD submitted by the lead partner may be deemed as EMD submitted by JV firm.
- g) One of the members of the JV firm shall be the lead member of the JV firm who shall have a majority (at least 51%) share of interest in the JV firm. The other members shall have a share of not less than 20% each in case of JV firms with up to three members and not less than 10% each in case of JV firms with more than three members. In case of JV firm with foreign member(s), the lead member has to be an Indian firm with a minimum share of 51%.

h) A copy of Letter of Intent or Memorandum of Understanding (MoU) executed by the JV members shall be submitted by the JV firm along with the tender. The complete details of the members of the JV firm, their share and responsibility in the JV firm etc. particularly with reference to financial technical and other obligation shall be furnished in the agreement.

i) Once the tender is submitted, the agreement shall not be modified/ altered/terminated during the validity of the tender. In case the tenderer fails to observe/comply with this stipulation, the full Earnest Money Deposit (EMD) shall be forfeited. In case of successful tenderer, the validity of this agreement shall be extended till the currency of the contract expires.

j) Approval for change of constitution of JV firm shall be at the sole discretion of the Brihanmumbai Municipal Corporation.

The constitution of the JV firm shall not be allowed to be modified after submission of the tender bid by the JV firm except when modification becomes inevitable due to succession laws etc. and in any case the minimum eligibility criteria should not get vitiated. In any case the Lead Member should continue to be the Lead Member of the JV firm. Failure to observe this requirement would render the offer invalid.

k) Similarly, after the contract is awarded, the constitution of JV firm shall not be allowed to be altered during the currency of contract except when modification become inevitable due to succession laws etc. and in any case the minimum eligibility criteria should not get vitiated. Failure to observe this stipulation shall be deemed to be breach of contract with all consequential penal action as per contract condition.

l) On award of contract to a JV firm, a single Performance Guarantee shall be required to be submitted by the JV firm as per tender conditions. All the Guarantees like Performance Guarantee, Bank Guarantee for Mobilization advance, machinery Advance etc. shall be accepted only in the name of the JV firm and no splitting of guarantees amongst the members of the JV firm shall be permitted.

m) On issue of LOA, an agreement among the members of the JV firm (to whom the work has been awarded) has to be executed and got registered before the Registrar of the Companies under Companies Act or before the Registrar / Sub-Registrar under the Registration Act, 1908. This agreement shall be submitted by the JV firm to the Brihanmumbai Municipal Corporation before signing the contract agreement for the work. (This agreement format should invariably be part of the tender condition). In case the tenderer fails to observe/comply with this stipulation, the full Earnest Money Deposit (EMD) shall be forfeited and

other penal actions due shall be taken against partners of the JV and the JV. This joint venture agreement shall have, inter-alia, following clauses:-

i) **Joint and Several liability** - The members of the JV firm to which the contract is awarded, shall be jointly and severally liable to the Employer (Brihanmumbai Municipal Corporation) for execution of the project in accordance with General and Special conditions of the contract. The JV members shall also be liable jointly and severally for the loss, damages caused to the Brihanmumbai Municipal Corporation during the course of execution of the contract or due to no execution of the contract or part there-of.

ii) **Duration of the Joint Venture Agreement** -It shall be valid during the entire period of the contract including the period of extension if any and the maintenance period after the work is completed.

iii) **Governing Laws**-The Joint Venture Agreement shall in all respect be governed by and interpreted in accordance with Indian Laws.

iv) **Authorized Member** -Joint Venture members shall authorize one of the members on behalf of the Joint Venture firm to deal with the tender, sign the agreement or enter into contract in respect of the said tender, to receive payment, to witness joint measurement of work done, to sign measurement books and similar such action in respect of the said tender/contract. All notices/correspondences with respect to the contract would be sent only to this authorized member of the JV firm. No member of the Joint Venture firm shall have the right to assign or transfer the interest right or liability in the contract without the written consent of the other members and that of the employer in respect of the said tender / contract.

a) Documents to be enclosed by the JV firm along with the tender:

i. In case one or more of the members of the JV firm is/are partnership firm(s), following documents shall be submitted:

a) Notary certified copy of the Partnership Deed,

b) Consent of all the partners to enter into the Joint Venture Agreement on a stamp paper of appropriate value (in original).

c) Power of Attorney (duly registered as per prevailing law) in favor of one of the partners to sign the MOU and JV Agreement on behalf of the partners and create liability against the firm.

ii. In case one or more members is/are Proprietary Firm or HUF, the following documents shall be enclosed:

a) Affidavit on Stamp Paper of appropriate value declaring that his Concern is a Proprietary Concern and he is sole proprietor of the Concern OR he is in posi-

tion of "KARTA" of Hindu Undivided Family and he has the authority, power and consent given by other partners to act on behalf of HUF.

iii. In case one or more members is/are limited companies, the following documents shall be submitted:

a) Notary certified copy of resolutions of the Directors of the Company, permitting the company to enter into a JV agreement, authorizing MD or one of the Directors or Managers of the Company to sign MOU, JV Agreement, such other documents required to be signed on behalf of the Company and enter into liability against the company and/or do any other act on behalf of the company.

b) Copy of Memorandum and articles of Association of the Company.

c) Power of Attorney (duly registered as per prevailing law) by the Company authorizing the person to do/act mentioned in the para (a) above.

a) All the members of the JV shall certify that they have not been black listed or debarred by Brihanmumbai Municipal Corporation from participation in tenders/contract in the past either in their individual capacity or the JV firm or partnership firm in which they were members / partners.

b) Credentials & Qualifying criteria: Technical and financial eligibility of the JV firm shall be adjudged based on satisfactory fulfillment of the following criteria:

Technical eligibility criteria: In case of Work involving single discipline, the Lead member of the JV firm shall meet at least 35% requirement of technical capacity as stipulated in tender document.

OR

In case of composite works (e.g. works involving more than one distinct component such as Civil Engineering works, M&E works, Electrical works, etc. and in the case of major bridges,

substructure and superstructure etc.), at least one member should have satisfactorily completed 35% of the value of any one component of the project work so as to cover all the components of project work or any member having satisfactorily completed 35% of the value of work of each component during last seven financial years.

In such cases, what constitutes a component in a composite work shall be clearly defined as part of the tender condition without any ambiguity.

Financial eligibility criteria: The contractual payments received by the JV firm or the arithmetic sum of contractual payments received by all the members of JV firm in any one of the previous three financial years and shall be at least **100% of the estimated value** of the work as mentioned in the tender.

84. Compensation for delay:

If the Contractor fails to complete the works and clear the site on or before the Contract or extended date(s) / period(s) of completion, he shall, without prejudice to any other right or remedy of Municipal Corporation on account of such breach, pay as agreed compensation, amount calculated as stipulated below (or such smaller amount as may be fixed by the Engineer) on the contract value of the whole work or on the contract value of the time or group of items of work for which separate period of completion are given in the contract and of which completion is delayed for every week that the whole of the work of item or group of items of work concerned remains uncompleted, even though the contract as a whole be completed by the contract or the extended date of completion. For this purpose the term 'Contract Value' shall be the value of the work at Contract Rates as ordered including the value of all deviations ordered:

- Completion period for projects (originally stipulated or as extended) not exceeding 6 months: **to the extent of maximum 1 percent per week.**
- Completion period for projects (originally stipulated or as extended) exceeding 6 months and not exceeding 2 years: **to the extent of maximum ½ percent per week.**
- Completion period for projects (originally stipulated or as extended) exceeding 2 years: **to the extent of maximum ¼ percent per week.** When the delay is not a full week or in multiple of a week but involves a fraction of a week the compensation payable for that fraction shall be proportional to the number of days involved.

Provided always that the total amount of compensation for delay to be paid this condition shall not exceed the under noted percentage of the Contract Value of the item or group of items of work for which a separate period of completion is given.

i)	Completion period (as originally stipulated or as extended) not exceeding 6 months: 10 percent.
ii)	Completion period (as originally stipulated or as extended) exceeding 6 months and not exceeding 2 years: 7½ percent.
iii)	Completion period (as originally stipulated or as extended) exceeding 2 years: 5 percent.

The amount of compensation may be adjusted set off against any sum payable to the contractor under this or any other contract with the Municipal Corporation.

85. Action and Compensation Payable In Case Of Bad Work And Not Done As Per Specifications

All works under or in course of execution or executed in pursuance of the contract, shall at all times be open and accessible to the inspection and supervision of the Engineer-in-charge, his authorized subordinates in charge of the work and all the superior officers, officer of the Vigilance Department of the Brihanmumbai Municipal Corporation or any organization engaged by the Brihanmumbai Municipal Corporation for Quality Assurance and the contractor shall, at all times, during the usual working hours and at all other times at which reasonable notice of the visit of such officers has been given to the contractor, either himself be present to receive orders and instructions or have a responsible agent duly accredited in writing, present for that purpose. Orders given to the Contractor's agent shall be considered to have the same force as if they had been given to the contractor himself.

If it shall appear to the Engineer-in-charge or his authorized subordinates in-charge of the work or to the officer of Vigilance Department, that any work has been executed with unsound, imperfect or unskillful workmanship or with materials of any inferior description, or that any materials or articles provided by him for the execution of the work are unsound or of a quality inferior to that contracted for or otherwise not in accordance with the contract, the contractor shall, on demand in writing which shall be made within twelve months of the completion of the work from the Engineer-in-Charge specifying the work, materials or articles complained of notwithstanding that the same may have been passed, certified and paid for forthwith rectify, or remove and reconstruct the work so specified in whole or in part, as the case may require or as the case may be, remove the materials or articles so specified and provide other proper and suitable materials or articles at his own charge and cost. In the event of the failing to do so within a period specified by the Engineer-in-Charge in his demand aforesaid, then the contractor shall be liable to pay compensation at the same rate as under clause 8.e. of the general condition of contract in section 9 of tender document (for Compensation for delay) for this default. In such case the Engineer-in Charge may not accept the item of work at the rates applicable under the contract but may accept such items at reduced rates as the Engineer in charge may consider reasonable during the preparation of on account bills or final bill if the item is so acceptable without detriment to the safety and utility of the item and the structure or he may reject the work outright without any payment and/or get it and other connected and incidental items rectified, or

removed and re-executed at the risk and cost of the contractor. Decision of the Engineer-in-Charge to be conveyed in writing in respect of the same will be final and binding on the contractor.

If the penalization amount exceeds maximum limit with respect to Clause 8.e of Standard General Conditions of Contract, then a show cause notice shall necessarily be issued to the contract as to why the contract should not be terminated.

86. Contractors remain liable to pay compensation:

In any case in which any of the powers conferred upon the Engineer In-charge by the **relevant clauses** in documents that form a part of contract as exercised or is exercisable in the event of any future case of default by the Contractor, he is declared liable to pay compensation amounting to the whole of his security deposit. The liability of the Contractor for past and future compensation shall remain unaffected.

In the event of the Executive Engineer taking action against these **relevant clauses**, he may, if he so desires, take possession of all or any tools and plant, materials and stores in or upon the work of site thereof or belonging to the Contractor or procured by him and intended to be used for the execution of the work or any part thereof paying or allowing for the same in account at the contract rates, or in the case of contract rates not being applicable at current market rates to be certified by the Executive Engineer, may after giving notice in writing to the Contractor or his staff of the work or other authorized agent require him to remove such tools and plants, materials or stores from the premises within a time to be specified in such notice and in the event of the Contractor failing to comply with any such requisition, the Executive Engineer may remove them at the contractors expense or sell them by auction or private sell on account of the Contractor at his risk in all respects and certificate of the Executive Engineer as to the expense of any such removal and the amount of the proceeds an expense of any such sell be final and conclusive against the Contractor.

87. No Claim to Any Payment or Compensation or Alteration in or Restriction of Work:-

(a) If at any time after the execution of contract documents, the Engineer shall for any reason whatsoever, desires that the whole or any part of the works specified in the Tender should be suspended for any period or that the whole or part of the work should not be carried out, at all, he shall give to the Contractor a Notice in writing of such desire and upon the receipt of such notice, the Contractor shall forthwith suspend or stop the work wholly or in part as required after having due

regard to the appropriate stage at which the work should be stopped or suspended so as not to cause any damage or injury the work already done or endanger the safety thereof, provided that the decision of the Engineer as to the stage at which the work or any part of it could be or could have been safely stopped or suspended shall be final and conclusive against the contractor.

The Contractor shall have no claim to any payment or compensation whatsoever by reason of or in pursuance of any notice as aforesaid, on account of any suspension, stoppage or curtailment except to the extent specified hereinafter.

(b) Where the total suspension of Work Order as aforesaid continued for a continuous period exceeding 90 days the contractor shall be at liberty to withdraw from the contractual obligations under the contract so far as it pertains to the unexecuted part of the work by giving 10 days prior notice in writing to the Engineer within 30 days of the expiry of the said period of 90 days, of such intention and requiring the Engineering to record the final measurement of the work already done and to pay final bill. Upon giving such Notice, the Contractor shall be deemed to have been discharged from his obligations to complete the remaining unexecuted work under his contract. On receipt of such notice the Engineer shall proceed to complete the measurement and make such payment as may be finally due to the contractor within a period of 90 days from the receipt of such Notice in respect of the work already done by the contractor. Such payment shall not in any manner prejudice the right of the contractor to any further compensation under the remaining provisions of this clause.

(c) Where the Engineer required to Contractor to suspend the work for a period in excess of 30 days at any time or 60 days in the aggregate, the Contractor shall be entitled to apply to the Engineer within 30 days of the resumption of the work after such suspension for payment of compensation to the extent of pecuniary loss suffered by him in respect of working machinery remained ideal on the site of on the account of his having an to pay the salary of wages and labour engaged by him during the said period of suspension provided always that the contractor shall not be entitled to any claim in respect of any such working machinery, salary or wages for the first 30 days whether consecutive or in the aggregate or such suspension or in respect of any such suspension whatsoever occasion by unsatisfactory work or any other default on his part, the decision of the Engineer in this regard shall be final and conclusive against the contractor.

88. Contractor to supply plant, ladder, scaffolding, etc and is liable for damages arising from non provision of lights, fencing, etc.

The Contractor shall supply at his own cost all material, plant, tools, appliances, implements, ladders, cordage, tackle scaffolding and temporary works requisite or proper for the proper execution of the work, whether, in the original altered or substituted form and whether included in the specification of other documents forming part of the contract or referred to in these conditions or not and which may be necessary for the purpose of satisfying or complying with the requirements of the Eng-In-Charge as to any matter as to which under these conditions is entitled to be satisfied, or which is entitled to require together with the carriage therefore to and from the work.

The Contractor shall also supply without charge, the requisite number of person with the means and materials necessary for the purpose of setting out works and counting, weighing and assisting in the measurements of examination at any time and from time to time of the work or materials, failing which the same may be provided by the Engineer In-charge at the expense of the contractor and the expenses may be deducted from any money due to the contractor under the contract or from his security deposit or the proceeds of sale thereof, or offers sufficient portion thereof.

The contractor shall provide all necessary fencing and lights required to protect the public from accident and shall also be bound to bear the expenses of defence of every suit, action or other legal proceedings, that may be brought by any person for injury sustained owing to neglect of the above precautions and to pay any damages and cost which may be awarded in any such suit action or proceedings to any such person or which may with the consent of the contractor be paid for compromising any claim by any such person.

89. Prevention of Fire:

The contractor shall not set fire to any standing jungle, trees, brushwood or grass without a written permit from the Engineer In-charge. When such permit is given, and also in all cases when destroying cut or dug up trees brushwood, grass, etc., by fire, the contractor shall take necessary measure to prevent such fire spreading to or otherwise damaging surrounding property. The Contractor shall make his own arrangements for drinking water for the labour employed by him.

90. Compensation for all damages done intentionally or unintentionally by contractor's labour whether in or beyond the limits of Brihanmumbai Municipal Corporation property including any damage caused by spreading the fire shall be estimated by the Engineer In-charge or such other officer as he may appoint and

the estimate of the Engineer in-charge to the decision of the Dy. Chief Engineer on appeal shall be final and the contractor shall be bound to pay the amount of the assessed compensation on demand failing which the same will be recovered from the Contractor as damages or deducted by the Engineer In-charge from any sums that may be due or become due from Brihanmumbai Municipal Corporation to contractor under this Contract or otherwise. Contractor shall bear the expenses of defending any action or other legal proceedings that may be brought to prevent the spread of fire and he shall pay any damages and costs that may be awarded by the Court in consequence.

91. In the case of Tender by partners, any change in the constitution of the firm shall be forthwith, notified by the contractor through the Engineer In-charge for his information.

92. Action where no specifications:

In the case of any class of work for which there is no such specifications, such works shall be carried out in accordance with the specifications and in the event of there being no such specifications, then in such case, the work shall be carried out in all respects in accordance with all instructions and requirements of the Engineer In-charge.

93. Safety and medical help :

(i) The Contractor shall be responsible for and shall pay the expenses of providing medical help to any workmen who may suffer a bodily injury as a result of an accident. If such expenses are incurred by Brihanmumbai Municipal Corporation, the same shall be recoverable from the contractor forthwith and be included without prejudice to any other remedy of Brihanmumbai Municipal Corporation from any amount due or that may become due to the Contractor.

(ii) The contractor shall provide necessary personal safety equipment and first-aid box for the use of persons employed on the site and shall maintain the same in condition suitable for immediate use at any time.

(iii) The workers shall be required to use the safety equipments so provided by the contractor and the contractor shall take adequate steps to ensure the proper use of equipments by those concerned.

(iv) When the work is carried on in proximity to any place where there is risk or drawing all necessary equipments shall be provided and kept ready for use and all necessary steps shall be taken for the prompt rescue of any person in danger.

94. No compensation shall be allowed for any delay caused in the starting of the work on account of acquisition of land or in the case of clearance of works, on account of ant delay in according to sanction of estimates.

95. Anti-malaria and other health measures: (Not applicable)

Anti-Malaria and other health measures shall be taken as directed by the Executive Health Officer of Brihanmumbai Municipal Corporation. Contractor shall see that mosquito-genic conditions are created so as to keep vector population to minimum level. Contractor shall carry out anti-malaria measures in the area as per the guidelines issued by the Executive Health Officer of Brihanmumbai Municipal Corporation from time to time.

In case of default, in carrying out prescribed anti-malaria measures resulting in increase in malaria incidence, contractor shall be liable to pay Brihanmumbai Municipal Corporation on anti-malaria measures to control the situation in addition to fine.

Section 10 Technical Specifications

BRIHANMUMBAI MUNICIPAL CORPORATION

(Hydraulic Engineer's Department) O.C. Division

Sub: Servicing & Overhauling of electrical actuators, gearbox & head stock units of various butterfly valves at Valve Maint. Section M-III A Panjrapur.

Technical specifications:

I) Overhauling & servicing of valve gear box of 1200 mm, 2200 mm & 2400 mm butterfly valve:-

- 1 Dewatering and cleaning of the valve chamber shall be done before servicing of gear-box assembly.
- 2 The valve shall be locked from Non-driving end and only then dismantling of the gearbox shall be started. Dismantling of the gear box assembly shall be carried out without any damage to the parts. If any damage happens, the cost of the same shall be borne by the contractor.
- 3 Broken or damaged valve indicator glass, valve indicating scale shall be replaced with new one for each gear box as per sample.
- 4 Damaged valve indicator plate having arrow for showing open or close position of the valve shall be replaced with new one as per sample if required.
- 5 Damaged fasteners shall be replaced with suitable size and quantity.
- 6 Damaged parts like 'O' rings, circlips, keys, bearings etc. shall be replaced with new one.
- 7 Old used grease shall be removed from chamber and quality grease shall be used for lubrication.
- 8 Proper oiling or greasing shall be done to all the moving parts of the gear box assembly after proper cleaning with suitable cleaning agent.
- 9 Suitable size Gasket shall be used wherever required. Removal of existing gear box, damaged / corroded protective cap of locking arrangement of gear box shall be replaced by providing new cap at non drive end.
- 10 Care shall be taken while carrying out assembly work.

- 11 Apply anti-corrosive red oxide to gear boxes. After then apply epoxy sky blue colour to the gear box.
- 12 Trial operation of gear box assembly shall be carried out in presence of BMC engineers. Before trial operation of gear box, the locking arrangement at non driving end shall be removed. Cleaning of the valve chamber shall be done after completion of gear box servicing.
- 13 Any activity for proper working of the gear box assembly which is not mentioned in technical specification and scope of work should be carried out by the contractor.
- 14 Drawings supplied by BMC are only for reference.

II) Overhauling & servicing of head-stock unit:-

- 1 The extension shaft shall be held with the help of rope before dismantling of the head-stock assembly. Only then remove the key from the universal joints near the primary gearbox and near the bottom of the head-stock assembly. Dismantling of the extension shaft shall be carried out without any damage to the parts. If any damage happens, the cost of the same shall be borne by the contractor.
- 2 Damaged fasteners shall be replaced with suitable size and quantity.
- 3 Damaged parts like 'O' rings, circlips, keys, bearings, bush etc. shall be replaced with new one.
- 4 Scrap and clean the threaded shaft with the help of wire brush and clean with diesel.
- 5 Damaged threaded screw, check nut, valve indicating scale, brass gear, bearing etc. shall be replaced with new one as per sample if required.
- 6 Damaged valve indicator scale & pointer for showing open or close position of the valve shall be replaced with new one as per sample if required.
- 7 Proper oiling and greasing shall be done to all the moving parts of the head-stock assembly after proper cleaning with cleaning agent.
- 8 Adjust the check nut position with respect to the actual valve position. Fix the valve indicating pointer as per exact valve position of arrow of gear box.
- 9 Care should be taken while carrying out the assembly work.
- 10 Apply anti-corrosive red oxide to MS channel frame. Apply epoxy smoke grey

colour to the Head stock and MS 'C' channel frame.

- 11 The extension shaft shall be properly assembled by fitting the key in the universal joint near the bottom of the adapter and near the primary gearbox.
- 12 Trial operation of gear box assembly and head-stock assembly shall be carried out in presence of BMC engineers.
- 13 Any activity for proper working of the head-stock assembly which is not mentioned in technical specification and scope of work shall be carried out by the contractor.
- 14 Drawings supplied by BMC are only for reference.

III) Overhauling & servicing of electrical Actuators :-

- 1 The contractor shall replace spares & consumables like O-ring kit, oil seals, gear oil, or grease, Indication lamps, damaged bolts. The Contractor shall supply the spares & consumables of original Equipment Manufacturer.
- 2 The contractor shall check limit switch and Torque switch operation.
- 3 The oil in the line assembly of the actuator shall be replaced with approved and recommended grade.
- 4 All major components shall be overhauled and defective parts shall be replaced as instructed by BMC Engineers except major critical component whose quote shall be given separately, if required.
- 5 In case of damage of main items like Gears, Motors, supply circuits of actuators it will be procured by BMC. The labour cost for installation for the same shall be under contractor's scope.
- 6 The critical components such as electrical contactors shall be serviced, cleaned and the contacts shall be replaced.
- 7 The actuator motor shall be dismantled and cleaned by blower.
- 8 The contractor shall check & note down actuator motor Resistance.
- 9 The bearings in the actuators and gear box shall be replaced if required and greased with grease of approved quality.
- 10 The alignment of actuators shall be checked properly.
- 11 The contractor shall check and adjust the torque force in the torque assembly for smooth operation.
- 12 The indicators shall be checked & show the correct position of opening and

closing position.

- 13 Necessary setting and adjustments in the torque assembly shall be done to ensure the stopping of motor by proper functioning of limits within the fully opened and fully closed position of the valve spindle.
- 14 The contractor shall carry out visual checking of Enclosure.
- 15 Check manually operation of Valve through hand wheel.
- 16 Check smooth operation of valve through actuator in electrical mode.
- 17 The contractor shall submit service report of each valve actuator.
- 18 The Contractor shall hand over all the removed material, spares & consumables to BMC.
- 19 The Tenderer shall consider the circular no. Ch.E.(Vig.)/2673/B dated 02.03.2022, clause no. 11, Which states that :-
During the Defect Liability Period (DLP), the completed work shall be periodically inspected by the site staff along with the contractor and defects noticed, if any shall be got rectified immediately from the contractor as per provision of contract. The above compliance report shall be mandatory prerequisite before releasing the deposits/retention money of the work.
Accordingly, the contractor shall prepare the periodical checklist and get it approved from BMC Engineers on or before work completion.

Safety Requirements:-

The contractor while performing the works shall take into consideration safety aspects against electrical, mechanical and health hazards to the workmen as well as safety of the installation and plan his work and shall take into consideration following points.

The work involves working in valve chambers which are about 10-15 meter deep and the contractor is requested to fulfill all safety requirements and follow all required safety procedures.

- 1 The contractor shall provide safety apparels, like hand gloves, safety shoes, safety helmets, harness belts, disposable aprons, wader suit, etc. whichever applicable to his workmen and the same shall be used depending upon the nature of work and as directed by engineer. First aid box & personnel material like toilet soap, hand cleaner etc. shall be provided at site.
- 2 Sufficient ventilation and lighting arrangement shall be made for safe and comfortable working in the confined space.
- 3 Lowering and lifting of material / equipment in confined space shall be done with utmost care and with all safety measures.

- 4 The contractor shall follow all safety rules and regulations while carrying out the work.
- 5 The contractor shall take all safety measures while carrying out electrical works and shall follow applicable I.E. rules.
- 6 BMC will not be responsible for any mishap happened to men, material of the contractor due to the negligence on account of non observance of the safety aspects by his staff.
- 7 The contractor shall not employ the person below 18 years of age.
- 8 Work Permit: since the entire work involves risk of working at heights and valve chambers, the contractor shall obtain work permit from the concerned BMC Engineer. Extra personnel if required at work should be got entered in the work permit before starting the work. No change in work other than what mentioned in the work permit will be allowed. If the contractor desires to change the work, separate work permit will have to be obtained from concerned BMC Engineer.
- 9 It is the sole responsibility of the contractor to get every personnel employed at the work, insured before starting the work, for the risk of life. In order to avoid any kind of mishap, all the safety precautions and measures should be taken by the contractor before commencement of the work. BMC shall be no way responsible for any accident / mishap.

General Instructions :

- 1 The contractor are advised visit the site at Valve Maintenance section MIIIA, Panjrapur Complex before submitting the tender document to verify and conversant with the volume and scope of work by inspecting existing site conditions
- 2 The technical specifications for the work and drawings included in this tender are prepared with care with a view, not to create any additional item/work. However, all the items and works which are required for satisfactory completion and guaranteed performance of the system/projects are deemed to be included in the offer and no extra cost will be paid by BMC.
- 3 Entry permissions, drawing approval and commissioning trial are included in contract period. No separate period will be allowed.
- 4 The contractor shall extend full co-operation and interaction with other agencies at site, if involved.
- 5 Specifying various equipment/fittings by BMC does not absolve tenderer's responsibility from proper working of the system as a whole.
- 6 The contractor must have facilities to undertake this job including adequate plant and machinery. The contractor shall have their own

- arrangement for welding equipment, gas cutting equipment, grinders etc. For minor welding works electrical supply will be provided free of cost. Required cabling switching fuses etc. arrangement shall be arranged by the successful contractor for tapping the electrical supply.
- 7 Successful tenderer shall use their own man power, own tools, tackles, machines, equipment, scaffolding, ladders, vehicles etc. required for the work
 - 8 The work shall be carried out with good workmanship following standard Engineering practice.
 - 9 The contractor shall depute the workmen of best knowledge of carrying out the work.
 - 10 Any damage caused to municipal property due to faulty workmanship shall be rectified by the contractor free of cost.
 - 11 The contractor shall provide "Identity Card" to all the work force at site.
 - 12 The contractor shall obtain work permit before starting the work from BMC authority
 - 13 The successful tenderer shall submit work planning schedule in the form of bar chart for the execution of work for complete contract period. The bar chart submitted shall be utilized for monitoring the work progress.
 - 14 The contractor shall submit action plan for Servicing & Overhauling of electrical actuators, gearbox & head stock units of various butterfly valves well in advance and same shall be approved by BMC engineers. However BMC reserves right to modify the schedule as per BMC convenience as it requires isolation etc.
 - 15 The tenderer shall take photographs with date and time of all hidden items of work before, during and after completion and maintain the photographic records of all the items executed to justify execution of the work at the 'Risk and Cost' of contractors.
 - 16 The successful tenderer shall obtain the entry permit to their vehicles and staff well in advance from the office of Dy. Hydraulic Engineer, Mumbai-IIIA, Pise Panjrapur Complex, by following due procedure for carrying out the work.
 - 17 The tenderer shall consider the circular no.Ch.E.(vig.)/2673/B dated 02.03.2022,clause no.11,which states that:-During the defect liability period (DLP),the completed work shall be periodically inspected by the site staff along with the contractor and defects noticed if any shall be got rectified immediately from the contractor as per provision of contract. The above compliance report shall be mandatory prerequisite before releasing the deposits/retention money of the work. Accordingly, the contractor shall prepare the periodical checklist and

get it approved from BMC Engineers on or before work completion.

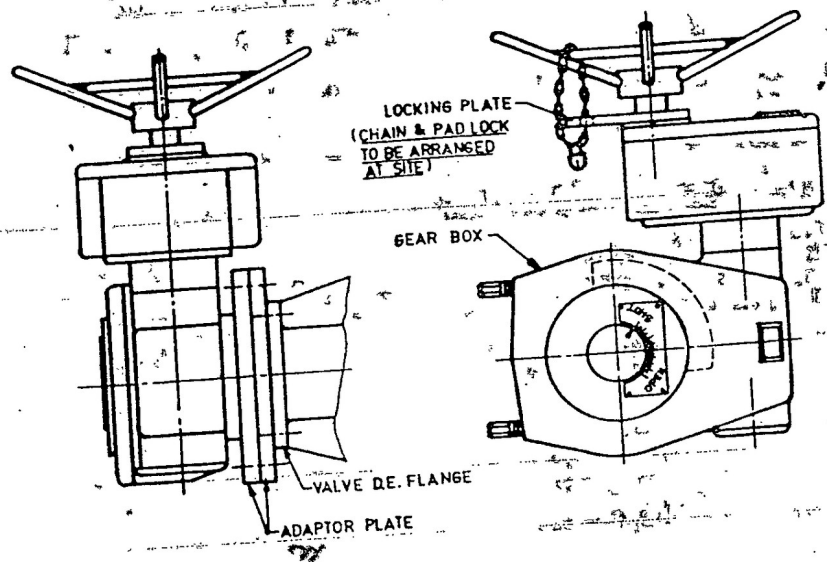
- 18 The contract period for the completion of the work is **04 Months** from the date of receipt of P.O.
- 19 It is the responsibility of the contractor to include all the items required for successful commissioning of the system irrespective of tender specifications. No extra payment will be made for the same.

Butterfly Valve Gear Box

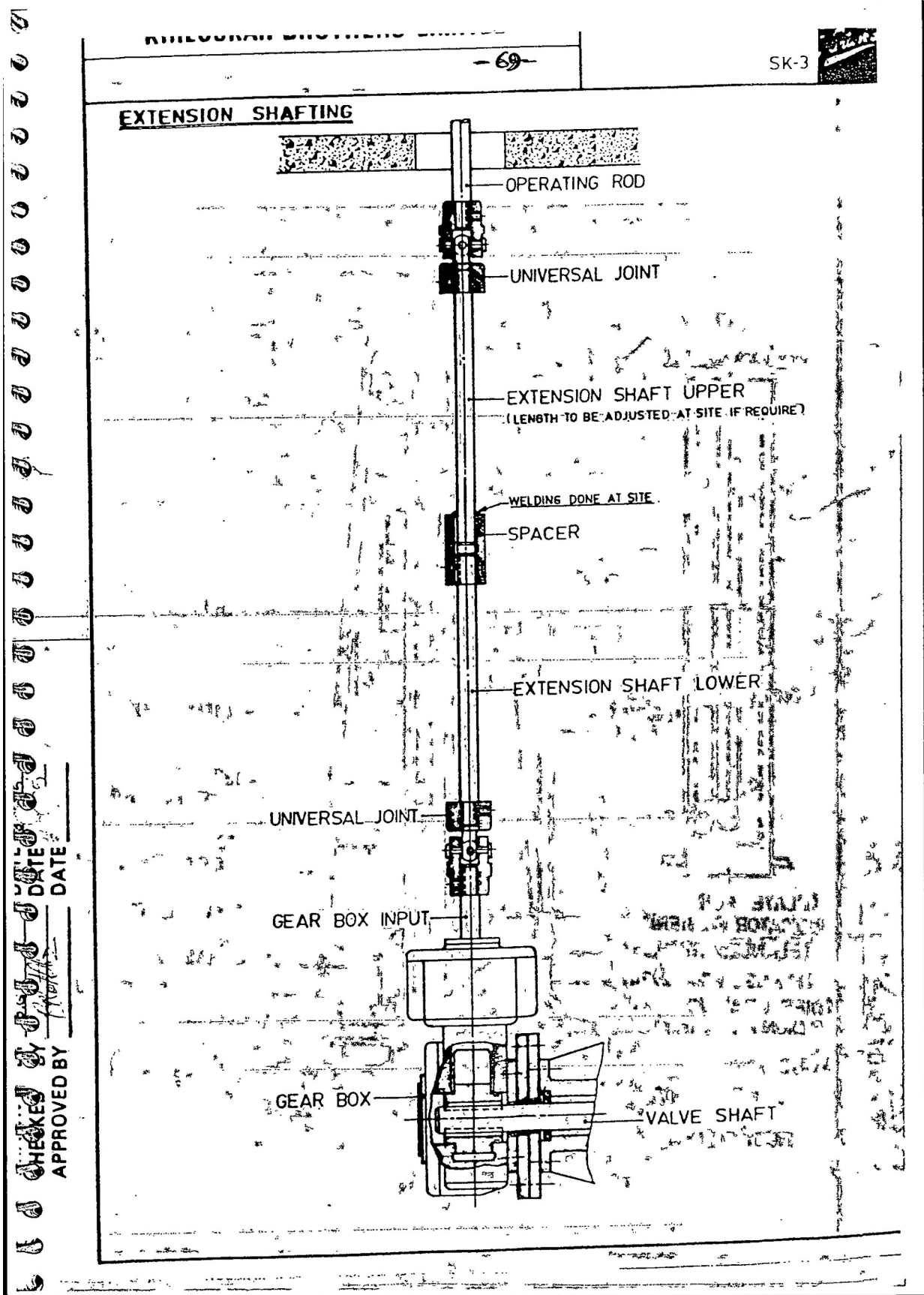
SK-2

CHECKED BY _____
APPROVED BY _____
DATE 8.5 _____
DATE _____

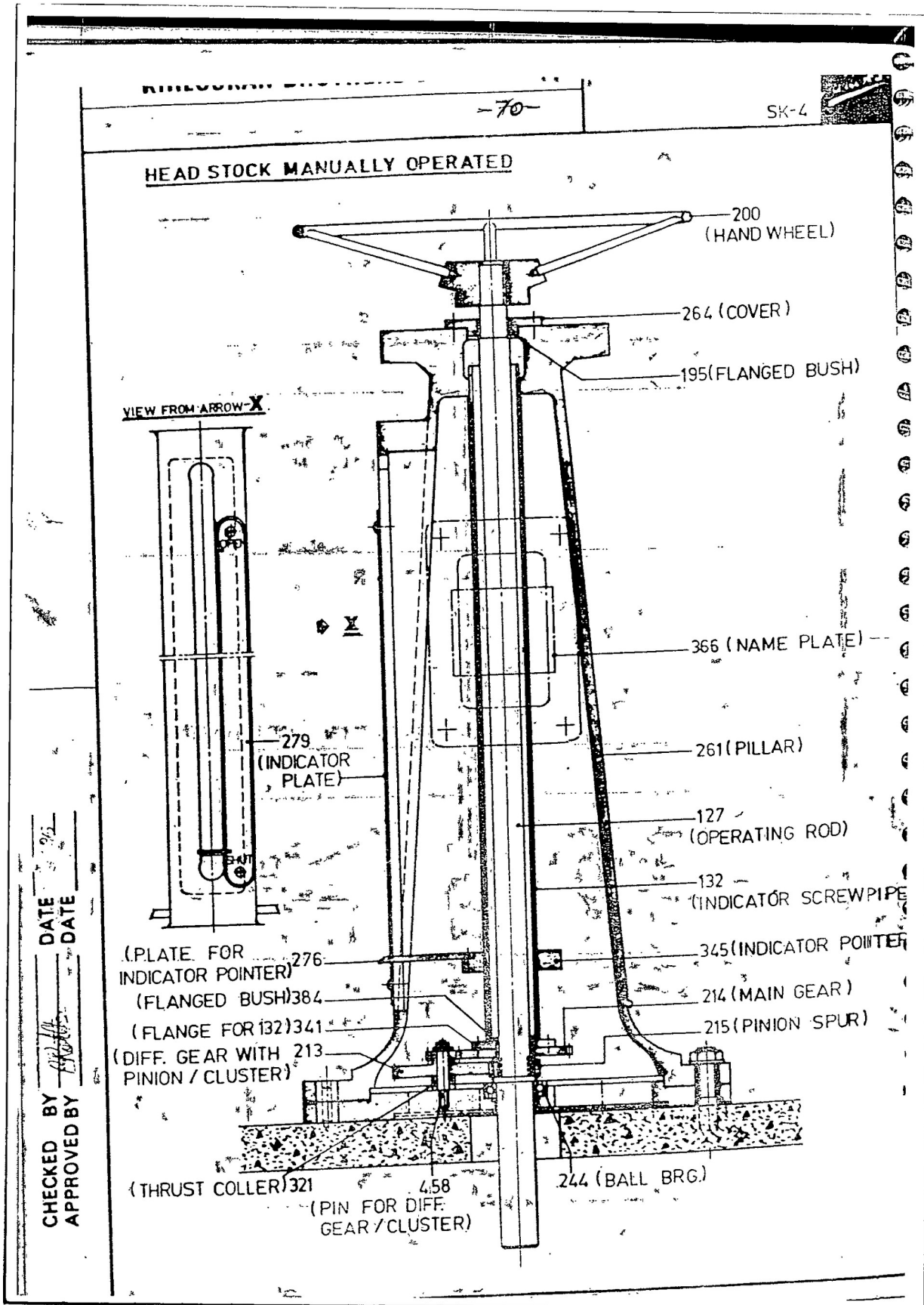
GEAR BOX



Extension shaft Assembly



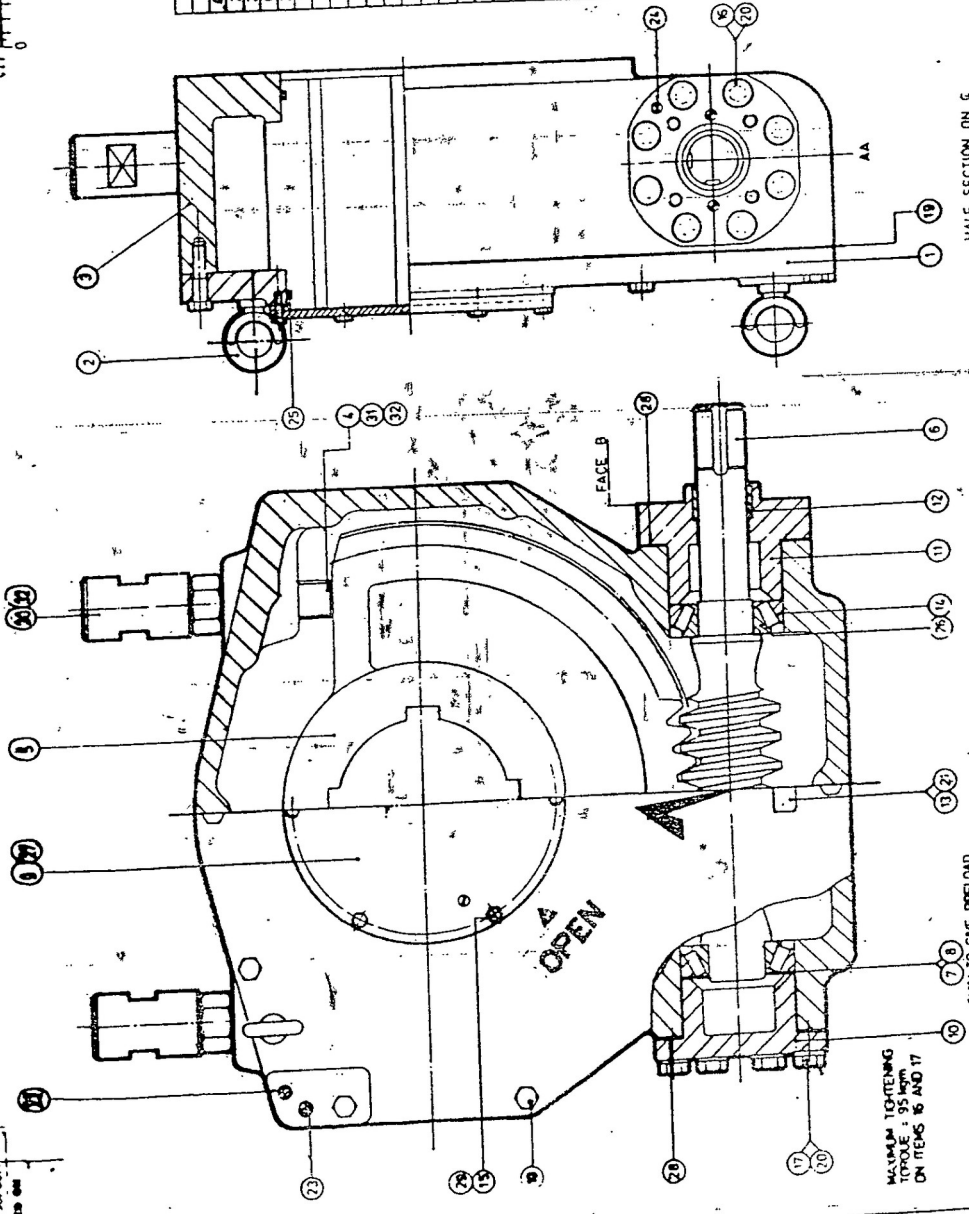
Head-stock Unit





1/4" 45° ANGLE PROJECTION

17-7750-000
UNLESS NOTED



QTY	DESCRIPTION	PART NO.
4	WASHER	0201-9860-072
2	NUT	0202-0300-078
2	DOZENITY	M02-9745-P1
6	WASHER	0201-0400-007
2	WASHER	M07-9057-P1
1	WASHER	M08-9537-P1
1	WORM SHAFT	M02-10044-P112
1	QUADRANT	M02-9644-P16
2	INNER BEARING	M02-9693-P02
2	O RING	M01-9462-P1
1	DOWEL	0611-0100-204
2	SCREW	0019-0703-256
2	SCREW	0046-0703-24
15	WASHER	0101-0703-24
1	GEAR CASE (ASSET)	M01-0638-P1
12	BOLT	0103-1100-116
8	ROD	0013-0703-27
6	SCREW	0003-0703-175
6	SCREW	0003-0703-175
2	DRILL BEARING	0100-0703-091
1	NAMEPLATE	M09-9302-P1
1	BUSH	M08-9544-P1
1	END CAP OPEN	M07-9640-P1
1	END CAP CLOSED	M08-9634-P1
1	BLANKING CAP	M02-9519-P2
1	AIR/AIR SHIM	M02-9612-P1
1	WORM SHAFT	M02-9644-P16
2	STOP SCREW	M02-9626-P1
1	GEAR CASE	M01-9648-P1
1	EYEBOLT	M01-9648-P1
1	COVER	M01-9607-P15
62	01	DESCRIPTION
72	01	DESCRIPTION
125	UNIT BUILD	
115	UNIT BUILD	

- NOTES
- GREASE FILL UNIT ON ASSEMBLY
 - APPLY JOINT SEALING COMPOUND TO FACES OF ITEMS 1 & 10
 - APPLY JOINT SEALING COMPOUND ON FACE B WHEN FITTING PRR SPUR.

HALE SECTION ON C-AA
HALE SECTION ON C-AA

MAXIMUM TIGHTENING TORQUE: 95 N·m ON ITEMS 16 AND 17
PRELOAD SPECIFICATION OF 0.00070.000mm

TYPICAL C.S. ASSEMBLY OF QUARTER TURN WORM GEAR OPERATOR

ASSEMBLY OF QUARTER TURN WORM GEAR OPERATOR SPECIFICATION 5150/077

REV	DATE	DESCRIPTION
1		

UNIT NO. 1000000000

SECTION 11
FRAUD
AND
CORRUPT
PRACTICES

FRAUD AND CORRUPT PRACTICES

- The Applicants and their respective officers, employees, agents and advisers shall observe the highest standard of ethics during the Bidding Process. Notwithstanding anything to the contrary contained herein, the Authority may reject an Application without being liable in any manner whatsoever to the Applicant if it determines that the Applicant has, directly or indirectly or through an agent, engaged in corrupt practice, fraudulent practice, coercive practice, undesirable practice or restrictive practice in the Bidding Process.

- Without prejudice to the rights of the Authority under relevant Clause herein above, if an Applicant is found by the Authority to have directly or indirectly or through an agent, engaged or indulged in any corrupt practice, fraudulent practice, coercive practice, undesirable practice or restrictive practice during the Bidding Process, such Applicant shall not be eligible to participate in any tender or RFQ issued by the Authority during a period of 2 (two) years from the date such Applicant is found by the Authority to have directly or indirectly or through an agent, engaged or indulged in any corrupt practice, fraudulent practice, coercive practice, undesirable practice or restrictive practice, as the case may be.

- For the purposes of this Clause , the following terms shall have the meaning hereinafter respectively assigned to them:

A. “corrupt practice” means the offering, giving, receiving, or soliciting, directly or indirectly, of anything of value to influence the actions of any person connected with the Bidding Process (for avoidance of doubt, offering of employment to, or employing, or engaging in any manner whatsoever, directly or indirectly, any official of the Authority who is or has been associated in any manner, directly or indirectly, with the Bidding Process or the LOA or has dealt with matters concerning the Concession Agreement or arising there from, before or after the execution thereof, at any time prior to the expiry of one year from the date such official resigns or retires from or otherwise ceases to be in the service of the Authority, shall be deemed to constitute influencing the actions of a person connected with the Bidding Process); or save and except as permitted under the relevant sub clause, engaging in any manner whatsoever, whether during the Bidding Process or after the issue of the LOA or after the execution of the Concession Agreement, as the case may be, any person in respect of any matter relating to the Project or the LOA or the Concession Agreement, who at any time has been or is a legal, financial or technical adviser of the Authority in relation to any matter concerning the Project;

B. “fraudulent practice” means a misrepresentation or omission of facts or suppression of facts or disclosure of incomplete facts, in order to influence the Bidding Process ;

C. “coercive practice” means impairing or harming or threatening to impair or harm, directly or indirectly, any person or property to influence any persons participation or action in the Bidding Process;

D. “undesirable practice” means (i) establishing contact with any person connected with or employed or engaged by the Authority with the objective of canvassing, lobbying or in any manner influencing or attempting to influence the Bidding Process; or (ii) having a Conflict of Interest; and

E. “Restrictive practice” means forming a cartel or arriving at any understanding or arrangement among Applicants with the objective of restricting or manipulating a full and fair competition in the Bidding Process.

F. If the Employer/Financier determines that the Contractor has engaged in corrupt, fraudulent, collusive, coercive or obstructive practices, in competing for or in executing the Contract, then the Employer may, after giving 14 days’ notice to the Contractor, terminate the Contractor's employment under the Contract and expel him from the Site, and the provisions of relevant Clause shall apply as if such expulsion had been made.

G. Should any employee of the Contractor be determined to have engaged in corrupt, fraudulent, collusive, coercive, or obstructive practice during the execution of the Works, then that employee shall be removed in accordance with relevant Clause.

For the purposes of this Sub-Clause:

i. “corrupt practice” is the offering, giving, receiving to soliciting, directly or indirectly, of anything of value to influence improperly the actions of another party;

ii. “another party” refers to a public official acting in relation to the procurement process or contract execution. In this context, “public official” includes Financial staff and employees of other organizations taking or reviewing procurement decisions.

iii. “fraudulent practice” is any act or omission, including a misrepresentation, that knowingly or recklessly misleads, or attempts to mislead, a party to obtain a financial or other benefit or to avoid an obligation;

iv. “collusive practice” is an arrangement between two or more parties designed to achieve an improper purpose, including to influence improperly the actions of another party;

- v. “coercive practice” is impairing or harming, or threatening to impair or harm, directly or indirectly, any party or the property of the party to influence improperly the actions of a party;
- vi. “obstructive practice” is deliberately destroying, falsifying, altering or concealing of evidence material to the investigation or making false statements to investigators in order to materially impede the Financier investigation into allegations of a corrupt, fraudulent, coercive or collusive practice; and/or threatening, harassing or intimidating any party to prevent it from disclosing its knowledge of matters relevant to the investigation or from pursuing the investigation; or acts intended to materially impede the exercise of the Finance’s inspection and audit rights provided
- vii. acts intended to materially impede the exercise of the Finance’s inspection and audit rights provided .
- viii. “party” refers to a public official; the terms “benefit” and “obligation” relate to the procurement process or contract execution; and the “act or omission” is intended to influence the procurement process or contract execution.
- ix. ”parties” refers to participants in the procurement process (including public officials) attempting to establish bid prices at artificial, noncompetitive levels.
- x. a “party” refers to a participant in the procurement process or contract execution.

SECTION 12
PRE BID MEETING

PRE BID MEETING (NOT APPLICABLE)

Pre-bid meeting of the interested parties shall be convened at the designated date, time and place. A maximum of three representatives of each Applicant shall be allowed to participate on production of authority letter from the Applicant.

During the course of Pre bid meeting, the Applicants will be free to seek clarifications and make suggestions for consideration of the Authority. The Authority shall Endeavour to provide clarifications and such further information as it may, in its sole discretion, consider appropriate for facilitating a fair, transparent and competitive Bidding Process.

SECTION -13

LIST OF APPROVED BANKS

List of approved bank for Acceptance of Bank Guarantee

1. The following banks with their Branches in Greater Mumbai from Church gate to Virar & from CST to Kalyan have been approved only for the purpose of accepting Banker's guarantee from 1994-95 onwards until further instructions.
2. The Banker's guarantee issued by branches of approved Banks beyond Kalyan and Virar can be accepted only if the said Banker's Guarantee is countersigned by the Manager of a Branch of the same bank within the Mumbai city limits, categorically endorsing thereon that the said Banker's Guarantee is binding on the endorsing Branch of the Bank within Mumbai limits and is liable to be enforced against the said Branch of the Bank in case of default by the bidder / supplier furnishing the Banker's Guarantee.

List of approved bank

A	S.B.I and its subsidiary Banks
1	State Bank Of India.
2	State Bank Of Bikaner & Jaipur.
3	State Bank Of Hyderabad.
4	State Bank Of Mysore.
5	State Bank Of Patiyala.
6	State Bank Of Saurashtra.
7	State Bank Of Travankore.
B	Nationalized Banks
8	Allahabad Bank.
9	Andhra Bank.
10	Bank Of Baroda.
11	Bank Of India.
12	Bank Of Maharashtra.
13	Central Bank Of India.
14	Dena Bank.
15	Indian Bank.
16	Indian Overseas Bank.
17	Oriental Bank Of Commeree.
18	Punjab National Bank.
19	Punjab & Sindh Bank.
20	Syndicate Bank.
21	Union Bank Of India.
22	United Bank Of India.
23	UCO Bank.
24	Vijaya Bank.
24A	Corporation Bank.
C	Scheduled Commercial Banks
25	Bank Of Madura Ltd.
26	Bank Of Rajasthan Ltd.
27	Banaras State Bank Ltd.
28	Bharat Overseas Bank Ltd
29	Catholic Syrian Bank Ltd.
30	City Union Bank Ltd.
31	Development Credit Bank.

32	Dhanalakshmi Bank Ltd.
33	Federal Bank Ltd.
34	Indsind Bank Ltd.
35	I.C.I.C.I Banking Corporation Ltd.
36	Global Trust Bank Ltd.
37	Jammu & Kashmir Bank Ltd.
38	Karnataka Bank Ltd.
39	KarurVysya Bank Ltd.
40	Laxmi Vilas Bank Ltd.
41	Nedugundi Bank Ltd.
42	Ratnakar Bank Ltd.
43	Sangli Bank Ltd.
44	South Indian Bank Ltd.
45	S.B.I Corporation & Int Bank Ltd.
46	Tamilnadu Mercantile Bank Ltd.
47	United Western Bank Ltd.
48	Vysya Bank Ltd.
D	Schedule Urban Co-op Banks
49	Abhyudaya Co-op Bank Ltd.
50	Bassein Catholic Co-op Bank Ltd.
51	Bharat Co-op Bank Ltd.
52	Bombay Mercantile Co-op Bank Ltd.
53	Cosmos Co-op Bank Ltd.
54	Greater Mumbai Co-op Bank Ltd.
55	JanataSahakari Bank Ltd.
56	Mumbai District Central Co-op Bank Ltd.
57	Maharashtra State Co-op Bank Ltd.
58	New India Co-op Bank Ltd.
59	North Canara G.S.B. Co-op Bank Ltd.
60	Rupce Co-op Bank Ltd.
61	Sangli Urban Co-op Bank Ltd.
62	Saraswat Co-op Bank Ltd.
63	ShamraoVithal Co-op Bank Ltd.
64	Mahanagar Co-op Bank Ltd.
65	Citizen Bank Ltd.
66	Yes Bank Ltd.
E	Foreign Banks
67	ABM AMRO (N.Y.) Bank.
68	American Express Bank Ltd.
69	ANZ Grindlays Bank Ltd.
70	Bank Of America N.T. & S.A.
71	Bank Of Tokyo Ltd.
72	Bankindosuez.
73	BanqueNationale de Paris.
74	Barelays bank.
75	City Bank N.A.
76	Hongkong & Shanghai banking Corporation.
77	Mitsui Taiyokbe Bank Ltd.
78	Standard Chartered Bank.
79	Cho Hung Bank.

SECTION -14

APPENDIX

FORM OF TENDER

To,
The Municipal Commissioner for BMC
Sir,

I/ We have read and examined the following documents relating to the work of

-
- i. Notice inviting tender.
 - ii. Directions to tenderers (General and special)
 - iii. General condition of contract for M & E Works of the Brihanmumbai Municipal Corporation municipal corporation as amended up to date.
 - iv. Relevant drawings
 - v. Specifications.
 - vi. Special directions
 - vii. Annexure A and B.
 - viii. Bill of Quantities and Rates.

1A. I/We _____
 (full name in capital letters, starting with surname), the Proprietor/ Managing Partner/ Managing Director/ Holder of the Business, for the establishment / firm / registered company, named herein below, do hereby offer to

Referred to in the specifications and schedule to the accompanying form of contract of the rates entered in the schedule of rates sent herewith and signed by me/ us” (strike out the portions which are not applicable).

- 1B. I/We do here by state and declare that I/We, whose names are given herein below in details with the addresses, have not filled in this tender under any other name or under the name of any other establishment /firm or otherwise, nor are we in any way related or concerned with the establishment /firm or any other person, who have filled in the tender for the aforesaid work.”
- 2. I/We hereby tender for the execution of the works referred to in the aforesaid documents, upon the terms and conditions, contained or referred to therein and in accordance with the specifications designs, drawings and other relevant details in all respects.
- 3. According to your requirements for payment of Earnest Money amounting to Rs. _____/-
 (Rs. _____)

I/We have deposited the amount through online payment gateways with the C.E. of the Corporation not to bear interest.

- 4. I/We hereby request you not to enter into a contract with any other person/s for the execution of the works until notice of non/acceptance of this tender has first been communicated to me/us, and in consideration of yours agreeing to refrain from so doing I/ we agree not to withdraw the offer constituted by this tender before the date of communication to me/us of such notice of on / acceptance, which date shall be not later than ten days from the date of the decision of the Standing Committee or Education Committee of the Corporation, as maybe required under the Mumbai Municipal Corporation Act, not to accept this tender.(Subject to condition 5 below).
- 5. I/We also agree to keep this tender open for acceptance for a period of 180 days from the date fixed for opening the same and not to make any modifications in its terms and conditions which are not acceptable to the Corporation.

6. I/We agree that the Corporation shall, without prejudice to any other right or remedy, be at liberty to forfeit the said earnest money absolutely, if.
 - a. I/We fail to keep the tender open as aforesaid.
 - b. I/We fail to execute the formal contract or make the contract deposit when called upon to do so.
 - c. I/we do not commence the work on or before the date specified by the Engineer in his work order.
7. I/We hereby further agree to pay all the charges of whatsoever nature in connection with the preparation, stamping and execution of the said contract.
8. I/We further agree that, I/we shall register ourselves as 'Employer' with the Bombay Iron and Steel Labour Board' and fulfill all the obligatory provisions of Maharashtra Mathadi, Hamal and other Manual workers (Regulation of Employment and Welfare) Act 1969 and the Bombay Iron and Steel unprotected workers Scheme 1970.
9. "I/We..... have failed in the accompanying tender with full knowledge of liabilities and, therefore, we will not raise any objection or dispute in any manner relating to any action, including forfeiture of deposit and blacklisting, for giving any information, which is found to be incorrect and against the instructions and directions given in this tender.
10. "I/We further agree and undertake that in the event it is revealed subsequently after the allotment of work/contract to me/us, that any information given by me/us in this tender is false or incorrect, I/We shall compensate the Brihanmumbai Municipal Corporation for any such losses or inconvenience caused to the Corporation in any manner and will not resist any claim for such compensation on any ground whatsoever. I/we agree and undertake that I/we shall not claim in such case any amount by way of damages or compensation for cancellation of the contract given to me/us or any work assigned to me/us or is with-drawn by the Corporation,"

Address

Yours faithfully,

.....

..... Digital Signature of the Tenderer or the Firm

- 1.....
- 2.....
- 3.....
- 4.....
- 5.....

Full Name and private residential address of all the

partners constituting the Firm

A/c No.

.....

1.
2.
3.
4.
5.

Name of Bank

.....

Name of Branch

.....

Vender No.

.....

.....

AGREEMENT FORM

Tender / Quotation dated 20...
DMC (SE)/ AMC (P) / MC's sanction / Standing Committee Resolution No.
.....

CONTRACT FOR THE WORKS
.....
.....

This agreement made this day of day of

Two thousand
..... Between.....
.....

Inhabitants of Mumbai, carrying on business at.....
.....

in Bombay under the style and name of Messrs
.....
..... (Hereinafter called "the contractor) of the one
part and Shri

the Dy. Municipal Commissioner (hereinafter called "the commissioner" in which
expression are included unless the inclusion is inconsistent with the context, or
meaning thereof, his successor or successors for the time being holding the office
of Dy. Municipal Commissioner of the second part and the Brihanmumbai Muni-
cipal Corporation (hereinafter called "the Corporation") of the third part,
WHEREAS the contractor has tendered for the construction, completion and
maintenance of the works described above and his tender has been accepted by
the Commissioner (with the approval of the Standing Committee of the Corpora-
tion) NOW THIS THIS AGREEMENT WITNESSETH as follows:-

- 1) In this agreement words and expressions shall have the same meanings as
are respectively assigned to them in the General Conditions of Contract for
works hereinafter referred to:-
- 2) The following documents shall be deemed to form and be read and con-
structed as a part of this agreement viz.
 - a) The letter of Acceptance
 - b) The Bid:
 - c) Addendum to Bid; if any
 - d) Tender Document
 - e) The Bill of Quantities:

- f) The Specification:
 - g) Detailed Engineering Drawings
 - h) Standard General Conditions of Contracts (GCC)
 - i) All correspondence documents between bidder and Brihanmumbai Municipal Corporation
- 3) In consideration of the payments to be made by the Commissioner to the contractor as hereinafter mentioned the contractor hereby covenants with the _____ Commissioner _____ to _____
- in conformity in all respects with the provision of the contract.
- 4) The Commissioner hereby convenient to pay to the Contractor in consideration of _____ carrying out the _____ works of _____ the _____
- _____ the contract sum, at times and in the manner prescribed by the contract.

IN WITNESS WHERE OF the parties hereto have caused their respective common seals to be herein to affixed (or have hereunto set their respective hands and seals) the day and year above written.
Signed, Sealed and delivered by the contractors

In the presence of _____ Trading under the name and style of _____

Full Name _____
Address _____ Contractors

Signed by the Dy. Municipal Commissioner

in the presence of _____ Dy. Municipal Commissioner

The Common seal of the Brihanmumbai Municipal Corporation was hereunto affixed on the 20 in the presence of two members of the Standing Committee.

1. _____ 1. _____
2. _____ 2. _____

And in the presence of the Municipal Secretary _____ Municipal Secretary

EE (M&E)MIIIA WTP Panj. Dy. HE(M&E) MIIIA PP HE

Note: The successful bidder will have to pay for preparing contract documents, legal charges, stamp duty and stationery charges as mentioned in section 6.

ANNEXURE " A "

- 1 Name of work : Servicing & Overhauling of electrical actuators, gearbox & head stock units of various butterfly valves at Valve Maint. Section M-III A Panjrapur.
- The Engineer for this work : Hydraulic Engineer
Engineer In Charge : Dy.HE (M&E)M-III A, P.P./
EE(M&E) WTP M-III A, Panj.
- 2 Estimated cost of Tender : Not applicable being Item rate tender
- Sr. No. Description of work : Total Amount Rs.
- 1 Civil Work : -
- 2 Electrical Work : -
- 3 Total Amount : -
- 3 Earnest Money : Rs.25,475.00
- 4 Completion Period : 04 Months

Annexure- B
(On Rs. 500/- Stamp Paper)

PRE-CONTRACT INTEGRITY PACT

The Bidder commits himself to take all measures necessary to prevent corrupt practices, unfair means and illegal activities during any stage of his bid or during any pre-contract or post-contract stage in order to secure the contract or in furtherance to secure it and in particular commits himself to the following: -

1.The Bidder will not offer, directly or through intermediaries, any bribe, gift, consideration, reward, favour, any material or immaterial benefit or other advantage, commission, fees, brokerage or inducement to any official of the Brihanmumbai Municipal Corporation, connected directly or indirectly with the bidding process, or to any person, organization or third party related to the contract in exchange for any advantage in the bidding, evaluation, contracting and implementation of the Contract.

2.The Bidder further undertakes that he has not given, offered or promised to give, directly or indirectly any bribe, gift, consideration, reward, favour, any material or immaterial benefit or other advantage, commission, fees, brokerage or inducement to any official of the Brihanmumbai Municipal Corporation or otherwise in procuring the Contract or forbearing to do or having done any act in relation to the obtaining or execution of the Contract or any other Contract with the Government for showing or forbearing to show favour or disfavour to any person in relation to the Contract or any other Contract with the Government.

3.The Bidder will not collude with other parties interested in the contract to impair the transparency, fairness and progress of the bidding process, bid evaluation, contracting and implementation of the contract.

4.The Bidder will not accept any advantage in exchange for any corrupt practice, unfair means and illegal activities.

5.The Bidder, either while presenting the bid or during pre-contract negotiations or before signing the contract, shall disclose any payments he has made, is committed to or intends to make to officials of the Brihanmumbai Municipal Corporation or their family members, agents, brokers or any other intermediaries in connection with the contract and the details of services agreed upon for such payments.

6.The Bidder shall not use improperly, for purposes of competition or personal gain, or pass on to others, any information provided by the Brihanmumbai Municipal Corporation as part of the business relationship, regarding plans, technical proposals and business details, including information contained in any electronic data carrier. The Bidder also undertakes to exercise due and adequate care lest any such information is divulged.

7.The Bidder commits to refrain from giving any complaint directly or through any other manner without supporting it with full and verifiable facts.

8.The Bidder shall not instigate or cause to instigate any third person to commit any of the actions mentioned above.

9. The Bidder and their respective officers, employees, agents and advisers shall observe the highest standard of ethics during the Bidding Process. Notwithstanding anything to the contrary contained herein, the Authority may reject an Application without being liable in any manner whatsoever to the Applicant if it determines that the Applicant has, directly or indirectly or through an agent, engaged in corrupt practice, fraudulent practice, coercive practice, undesirable practice or restrictive practice in the Bidding Process. For the purposes of this Clause 9, the following terms shall have the meaning herein after respectively assigned to them:

“fraudulent practice” means a misrepresentation or omission of facts or suppression of facts or disclosure of incomplete facts, in order to influence the Bidding Process;

“coercive practice” means impairing or harming or threatening to impair or harm, directly or indirectly, any person or property to influence any person’s participation or action in the Bidding Process;

“undesirable practice” means (i) establishing contact with any person connected with or employed or engaged by the Authority with the objective of canvassing, lobbying or in any manner influencing or attempting to influence the Bidding Process; or (ii) having a Conflict of Interest; and “restrictive practice” means forming a cartel or arriving at any understanding or arrangement among Applicants with the objective of restricting or manipulating a full and fair competition in the Bidding Process.

Signature of Tenderer/Bidder

UNDERTAKING-CUM-INDEMNITY BOND

(On 500/- Stamp Paper)

I, _____ of _____, do hereby declared and undertake as under.

1. I declare that I have submitted certificates as required to Executive engineer (Monitoring) at the time of registration of my firm/company _____ and there is no change in the contents of the certificates that are submitted at the time of registration.

2. I declare that I _____ in capacity as Manager/Director/Partners/Proprietors of _____ has not been charged with any prohibitory and /or penal action such as banning (for specific time or permanent)/de-registration or any other action under the law by any Government and/or Semi Government and/or Government undertaking.

3. I declare that I have perused and examined the tender document including addendum, condition of contract, specifications, drawings, bill of quantity etc. forming part of tender and accordingly, I submit my offer to execute the work as per tender documents at the rates quoted by me in capacity as _____ of _____.

4. I further declare that if I am allotted the work and I failed to carry out the allotted work in accordance with the terms and conditions and within the time prescribed and specified, BMC is entitled to carry out the work allotted to me by any other means at my risk and cost, at any stage of the contract.

5. I also declare that I will not claim any charge/damages/compensation for non availability of site for the contract work at any time.

6. I declare that I will positively make the arrangements of the required equipment on the day of commencement or with respect to the progress of the work in phases, as per the instructions of site in charge

Signature of Tenderer/Bidder

BANKERS GURANTEE IN LIEU OF CONTRACT DEPOSIT

THIS INDENTURE made this _____ day of _____ BETWEEN

THE _____ BANK incorporated under the English/Indian Companies Acts and carrying on business in Mumbai (hereinafter referred to as 'the bank' which expression shall be deemed to include its successors and assigns) of the first part

_____ inhabitants carrying on business at _____ in Mumbai under the style and name of Messer's _____ (hereinafter referred to as 'the consultant') of the second part Shri. _____

~~THE MUNICIPAL COMMISSIONER FOR GREATER MUMBAI (hereinafter referred to as 'the commissioner' which expression shall be deemed, also to include his successor or successors for the time being in the said office of Municipal Commissioner) of the third part and THE Brihanmumbai Municipal Corporation (hereinafter referred to as 'the Corporation') of the fourth part WHEREAS the consultants have submitted to the Commissioner tender for the execution of the work of " _____ and the terms of such tender /contract require that the consultants shall deposit with the Commissioner as/contract deposit/ earnest money and /or the security a sum of Rs. _____ (Rupees _____) AND WHEREAS if and when any such tender is accepted by the Commissioner, the contract to be entered into in furtherance thereof by the consultants will provide that such deposit shall remain with and be appropriated by the Commissioner towards the Security deposit to be taken under the contract and be redeemable by the consultants, if they shall duly and faithfully carry out the terms and provisions of such contract and shall duly satisfy all claims properly chargeable against them there under AND WHEREAS the consultants are constituents of the Bank and in order to facilitate the keeping of the accounts of the consultants, the Bank with the consent and concurrence of the consultants has requested the Commissioner to accept the undertaking of the Bank hereinafter contained, in place of the contractors depositing with the Commissioner the said sum as earnest money and /or security as aforesaid AND WHEREAS accordingly the Commissioner has agreed to accept such undertaking NOW THIS AGREEMENT WITNESSES that in consideration of the premises, the Bank at the request of the consultants (hereby testified) UNDERTAKES WITH the commissioner to pay to the commissioner upon demand in writing , whenever required by him , from time to time , so to do , a sum not exceeding in the whole Rs. _____ (Rupees _____) under the terms of the said tender and /or the contract .The B.G. Is valid up to _____” Notwithstanding anything what has been stated above, our liability under the above guarantee is restricted to Rs. _____ only and guarantee shall remain in force upto _____ unless the~~

~~demand or claim under this guarantee is made on us in writing on or before
_____ all your right under the above guarantee shall be forfeited and we shall be
released from all liabilities under the guarantee thereafter”~~

IN WITNESS WHEREOF

WITNESS (1) _____

Name and _____

address _____

~~WITNESS (2) _____~~

Name and _____ the duly constituted Attorney Manager

address _____

~~the Bank and the said Messer's _____~~

_____ (Name of the Bank)

WITNESS (1) _____

Name and _____

address _____

WITNESS (2) _____

Name and _____

For Messer's _____

address _____

have here into set their respective hands the day and year first above written.

**~~The amount shall be inserted by the Guarantor, representing the Contract
Deposit in Indian Rupees.~~**

PROFORMAS:

PROFORMA- I

The list of similar works as stated in eligibility criteria during last Seven years–

PROFORMA- I					
Sr.No.	Name of the Project	Name of the employer	Stipulated date of completion	Actual date of completion	Actual cost of work done
1	2	3	4	5	6

NOTE:

Scanned Attested copies of completion/performance certificates from the Engineer-in-Charge for each work should be annexed in the support of information furnished in the above proforma.

Works shall be grouped financial year-wise.

PROFORMA- II

Yearly turnover of works during the last three years.

ROFORMA- II				
Sr.No.	Financial year	Annual Turnover of Works	Updated value to current year	Average of last 5years
1				
2				
3				
4				
5				
Total				

NOTE: The above figures shall tally with the audited balance sheets uploaded by the tenderers duly certified by Chartered Accountant.

PROFORMA- III

At least similar work, as stated in eligibility criteria,

PROFORMA- III						
Name of the Project	Name of the Employer	Cost of the Project	Date of issue of work Order	Stipulated Date of Completion	Actual Date of Completion	Actual cost of work done
1	2	3	4	5	6	7

Note: Scanned Attested copies of completion/performance certificates from the Engineer-in-charge for each work should be annexed in support of information furnished in the above proforma.

PERSONNEL:

PROFORMA- IV				
Sr. No.	Post	Name	Qualification	Work Experience
		(Prime Candidate/ Alternate)		No. of Years
1	Project Manager			
2	Quality Control Engineer			
3	Site Engineer			
4	Site Supervisor			

NOTE: Scanned Attested copies of qualification certificates and details of work experience shall be submitted /uploaded.

MACHINERY: (for special work only)

PROFORMA- V/A			
Sr.No.	Equipment	Number	Owned/Leased/Assured access
1	2	3	4

PROFORMA- V/B			
Sr.No.	Equipment	Number	Owned
1	2	3	4

Note: The tenderer(s) shall furnish/upload the requisite Scanned Attested documents of ownership/leased of machineries. The undertaking from the suppliers will not be accepted.

PROFORMA - VI / A

Details of Existing Commitments and ongoing works –

PROFORMA - VI / A						
Description of work	Place	Contract No. & Date	Name & Addresses of employer	Value of Contract in Rs.	Scheduled date of completion	Value of work remaining to be completed
1	2	3	4	5	6	7

Note: Scanned Attested copies of completion/performance certificates from the Engineer-in-Charge for each work should be annexed in the support of information furnished in the above proforma.

PROFORMA - VI / B

Details of works for which bids are already uploaded –

PROFORMA - VI / B					
Description of work	Place	Name & Addresses of employee	Value of Contract in Rs.	Time Period	Date on which decision is expected
1	2	3	4	5	6

Note: Scanned Attested copies of certificates from the Engineer-in-charge for each work shall be annexed.

PROFORMA- VII

Information on Litigation History in which the applicant is involved.

PROFORMA - VII				
Other Party (/Parties)	Employer	Cause of Dispute	Amount involved	Remarks showing Present Status.
1	2	3	4	5

Note: Scanned Attested copies of completion / performance certificates from the Engineer-in-charge for each work should be annexed and uploaded.

Annexure- C
UNDERTAKING FOR BEST PRICE

(On stamp paper of Rs. 500/- duly notarized by notary with red seal and registration number)

Tender / Bid No. _____

To,
The Brihanmumbai Municipal Commissioner
For Brihanmumbai Municipal Corporation

Sir,

“I / We(Full Name in capital letters starting with surname), the Proprietor / Managing Partner / Managing Director / Holder of the Business / Manufacturer / Authorized Dealer, for the establishment / firm / registered company , named herein below , do hereby , state and declare that I/We ----- whose names are given herein below in details with the addresses have not filled in this tender under any other name or under the name of any other establishment / firm or otherwise , nor are We in any way related or concerned with any establishment / firm or any other person , who have filled in the tender for the aforesaid work.”

“I / We do hereby further undertake that, we have offered the best prices for the subject supply / work as per the present market rates. **Further, we do here by undertake and commit that we have not offered / supplied the subject product / similar product / system or sub system in the past one year in the Maharashtra State for quantity variation up to - 50% or + 10 % at a price lower than that offered in the present bid to any other outside agencies including Govt. / Semi Govt. agencies and within the Brihanmumbai Municipal Corporation also.** Further, we have filled in the accompanying tender with full knowledge of the above liabilities and therefore we will not raise any objection or dispute in any manner relating to any action, including forfeiture of deposit and blacklisting, for giving any information which is found to be incorrect and against the instructions and directions given in this behalf in this tender.

I / We further agree and undertake that in the event it is revealed subsequently after the allotment of work / contract to me / us , that any information given by me / us in this tender is false or incorrect , I / We shall compensate the Brihanmumbai Municipal Corporation for any such losses or inconvenience caused to the Corporation in any manner and will not resist any claim for such compensation on any ground whatsoever , I / We agree and undertake that I / We shall not claim in such case any amount , by way of

damages or compensation for cancellation of the contract given to me / us or any work assigned to me / us or is withdrawn by the Corporation.”

However, in case of price difference, if it is a result of differential tax structures, different dollar value of Rupee, differential logistic of transport etc. Considering this aspect, before invoking the penalty, black-listing, I/We will be given a reasonable opportunity of being heard by representing our case as to why such price variation / differential has been arisen.

In case if the explanation submitted by me / us is unsatisfactory then action including forfeiture of despite and black-listing may be taken against me/ us.

**TENDERER'S FULL SIGNATURE WITH
FULL NAME AND RUBBER STAMP**

Annexure- D

Rate Analysis

Sr. No.	Description of rate analysis parameters	Unit	Quantity	Rate	Amount
1	Basic Material (Rate should be inclusive of all taxes)				
2	Machinery Hire Charges				
3	Labour Type		(labour components)		
4	Total of all components				
5	Overhead & Profit 15% on 4				
6	Total Rate (4+5)				
7	Per unit rate				

Sign & Seal of the Tenderer

Annexure-E

Irrevocable Undertaking

(on Rs. 500/- Stamp paper duly notarized)

I Shri/Smt..... aged,.....years Indian
Inhabitant. Proprietor/ Partner/ Director of M/s.
.....resident at..... do hereby give
Irrevocable undertaking as under;

- 1 I say & undertake that as specified in section 171 of CGST Act, 2017, any reduction in rate of tax on supply of goods or services or the benefit of input tax credit shall be mandotarily passed on to Brihanmumbai Municipal Corporation by way of commensurate reduction in prices.
- 2 I further say and undertake that I understand tat in case the same is not passed on and is discovered at any later stage, Brihanmumbai Municipal Corporation shall be at liberty to initiate legal action against me for its recovery including, but not limited to, an appeal to the Screening Committee of the GST Counsel.
- 3 I say that above said irrevocable undertaking is binding upon me/my partners/ company/ other Directors of the company and upon my/our legal heirs, assignee, Executor, administrator etc.
- 4 If I fail to compliance with the provisions of the GST Act, I shall be liable for penalty/ punishment or both as per the provisions of GST Act.
- 5 Whatever has been stated here in above is true & correct to my/ own knowledge & belief.

Solemnly affirmed at
DEPONANT
This day of
BEFORE ME

Interpreted Explained and Identified by me.

BRIHANMUMBAI MUNICIPAL CORPORATION

(Hydraulic Engineer's Department)

Tender No. :

Sub: Servicing & Overhauling of electrical actuators, gearbox & head stock units of various butterfly valves at Valve Maint. Section M-III A Panjrapur.

The Tenderer shall state briefly any deviation from the specifications, contained in his main offer.

DEVIATION SCHEDULE

Sr. No.	Item	Deviation	Remarks

Signature of authorized person of concern/company

BRIHANMUMBAI MUNICIPAL CORPORATION

CIRCULAR

U/No.MGC/F/6342 dated 5.5.2018

Sub.: Revised guidelines regarding barricades being used during the execution of various infrastructure development projects by Brihanmumbai in Mumbai.

Various infrastructure development projects are being executed by Brihanmumbai Municipal Corporation for the betterment of citizens of Mumbai. During the course of execution of the projects, it is necessary to

A) Only two type of barricades having department wise colour coding are proposed to be used depending upon the nature of work i.e. Minor and Major.

i) Minor works: Barricading made out of 1.5 mm thick MS plate fixed on M.S. angle post/ frame of 65 mm X 65 mm X 6 mm having height of 1.5 m supported on as shown in

Annex-I.

ii) Major works: Structural steel barricade made out of 1.50 mm thick M.S. Plate ISMB 250, ISLC 250X50mm and ISA 50mmX50mmX6 mm having of size 2.5 m X 2 m as shown in Annex-II.

B) The department wise colour coding for the barricading shall be as under:-

i) H.E. & W.S.P. department – Blue

ii) Roads, Traffic, Bridges and Coastal Roads department– Yellow

iii) S.P. & S.O department – Green

iv) S.W.D., Building Maintenance department & for ward works – Red

C) The basic principle behind installing secured and continuous barricading is to ensure the

safety of vehicular as well as pedestrian traffic and residents in the nearby vicinity of the project. Due to non-installation of appropriate barricades on sites if any mishap occurs leading to injury or loss of life, then the contractor and contractor's Engineer in-charge will be liable for the consequent action.

D) During the course of execution of project, if it is noticed that the contractor has not provided barricading then a penalty of Rs.1000/- per meter per day will be imposed upon the contractor and will be deducted from the due Bill. This penalty shall be a part of penalty as per tender condition.

E) Details of the work shall be prominently displayed on the central panel of the barricades alongwith the Social Slogans as given in Annexure III and the Cycle of the same shall be maintained.

F) The contractor shall provide and install the barricading alongwith the slogans printed as per the Annexure III, at his own cost and no payment will be made for

this, however the contractor shall quote the bid accordingly by considering the cost of barricading.

The condition shall be included in the tender as given below.

“ Barricading shall be provided free of cost as per Circular vide U/No.MGC/F/6342 dated 5.5.2018 and as per Annexure I, II and III of Standard drawings and specifications with slogans and department wise colour codes.” The copy of circular will be attached to the tender as a part of tender document. This circular will be applicable for the new tenders proposed to be invited from 01.06.2018 and also the corrigendum shall be attached to tenders which are uploaded. However, for the projects wherein the tenders are already invited, the barricading shall be provided strictly as per tender condition. All the details (Annexure I, II & III of Standard drawings and specifications with slogans and department wise colour codes, sketches and department wise colour coding) are uploaded on Brihanmumbai Municipal Corporation portal.

This circular shall come in force with immediate effect.

ANNEXURE-G

GRIEVANCE REDRESSAL MECHANISM

(To be submitted with Technical Packet-B)

BMC has formed a Grievance Redressal Mechanism for redressal of bidder's grievances. Any Bidder or prospective Bidder aggrieved by any decision, action or omission of the procuring entity being contrary to the provisions of the tender or any rules or guidelines issued therein. in Packet A. B&C can make an application for review of decision of responsiveness in Packet "A B & C within a period of 7 days or any such other period, as may be specified in the Bid document.

While making such an application to procuring entity for review, aggrieved bidders or prospective bidders shall clearly specify the ground or grounds in respect of which he feels aggrieved.

Provided that after declaration of a bidder as a successful in Packet A (General Requirements), an application for review may be filed only by a bidder who has participated in procurement proceedings and after declaration of successful bidder in Packet 'B' (Technical Bid). an application for review may be filed only by successful bidders of Packet A. Provided further that, an application for review of the financial bid can be submitted, by the bidder whose technical bid is found to be acceptable/responsive.

Upon receipt of such application for review, BMC may decide whether the bid process is required to be suspended pending disposal of such review. The BMC after examining the application and the documents available to him, give such reliefs, as may be considered appropriate and communicate its decision to the Applicant and if required to other bidders or prospective bidders, as the case may be.

BMC shall deal and dispose off such application as expeditiously as possible and in any case within 10 days from the date of receipt of such application or such other period as may be specified in pre-qualification document, bidder registration document or bid documents, as the case may be.

Where BMC fails to dispose off the application within the specified period or if the bidder or prospective bidder feels aggrieved by the decision of the procuring entity, such bidder or prospective bidder may file an application for redressal before the "Internal Procurement Redressal Committee" within 7 days of the expiry of the allowed time or of the date of receipt of the decision as the case may be. Every such application for internal redressal before Redressal Committee shall be accompanied by fee of Rs.25,000/- and fee shall be paid in the form of D.D. in favour of M.C.G.M.

1" Appeal by the bidder against the decision of C.E./ HOD/ Dean can be made concerned DMC/Director who should decide appeal in 7 days, If not satisfied, 2nd Appeal by the bidder can be made to concerned A.M.C. decision.

Grievance Redressal Committee (CRC) is headed by concerned D.M.CJ Director of particular department for the first appeal grievances by the bidder against the decision for responsiveness/non-responsiveness in Packet A Packet 11' or Packet C and if not satisfied, concerned A.M.C. will take decision as per second appeal made by the bidder.

This Grievance Redressal Committee (GRC) will be operated through DMC (CPD) office where appeals of aggrieved bidder will be received with fee of Rs. 25,000/- from aggrieved bidder. The necessary correspondence in respect of said applications to the aggrieved bidder & concerned department, issuing notices, arranging of Grievance Redressal Committee (GRC) with D.M.C. and further proceeding will be carried out through registrar appointed by B.M.C.

No application shall be maintainable before the redressal Committee in regard of any decision of the BMC relating to following issues:

- Determination of need of procurement,
- the decision of whether or not to enter into negotiations,
- Cancellation of a procurement process for certain reasons.

On receipt of recommendation of the Committee, It will be communicate his decision thereon to the Applicant within 10 days or such further time not exceeding 20 days, as may be considered necessary from the date of receipt of the recommendation and in case of non-acceptance of any recommendation, the reason of such non-acceptance shall also be mentioned in such communication.

Additional Municipal Commissioner and/or Grievance Redressal Committee, if found, come to the conclusion that any such complaint or review is of vexatious, frivolous or malicious nature and submitted with the intention of delaying or defeating any procurement or causing loss to the procuring entity or any other bidder, then such complainant shall be punished with fine, which may extend to Five Lac rupees or two percent of the value of the procurement, whichever is higher.

Full Signature of the tenderer with Official Seal and

Address

**PROFORMA LETTER TO BE SUBMITTED BY AUTHORIZED DEALER
FROM THEIR MANUFACTURERS**

(To be submitted on Original Equipment Manufacturers (OEM)'s company letterhead along with stamp and signature and its scan copy shall be mandatorily uploaded by bidder in packet A/B, failing which tenders offer shall be treated as non-responsive and out rightly rejected.)

Date: DD/MM/YYYY

To,

The Dy. Hydraulic Engineer (M&E) M-3 A, P.P.,
Municipal Corporation of Greater Mumbai.
Administrative Building, 2nd Floor,
Panjrapur Water Treatment Plant,
Post: Vadpa, Taluka: Bhiwandi,
District: Thane. PIN -421302.

BMC Bid Number: _____ Due on: _____

Sub.: e-Tender for-----

Dear Sir,

We, _____ (Name of the manufacturing concern) are an established manufacturer of _____ having factory at _____ (factory address) do hereby authorize M/s. _____

_____ (Name and address of the dealer/ agent) to represent us to tender and conclude the contract for the above goods manufactured by us with you against invitation of e-tender No. _____ due on _____.

We hereby assure quantity and quality as per the contract for the goods offered. We also assure uninterrupted supply of spares, material, service, etc. included in Bill of Quantities in the tender for till the completion of entire contract period (Inclusive of defect liability period of 3 years).

Authorized Signatory_____

Company Stamp and Seal_____

Name and Designation of signing authority_____

Place:

Date:

Note: This letter of authority shall be in original on the letterhead of the manufacturing concern and should be signed by a person competent and having the power of attorney to bind the manufacturers.

**PROFORMA LETTER TO BE SUBMITTED BY BIDDER WHO ARE
MANUFACTURERS**

(To be submitted with Technical Packet)

To,
The Commissioner,
Brihanmumbai Municipal Corporation,
MUMBAI-400 001.

Sub.: _____
e-Tender No. _____

Dear Sir,

We, _____ (Name of the manufacturing concern) are an established manufacturer of _____ (description of product) having factory at _____ (factory address)

We hereby assure quantity and quality as per the contract for the goods offered for supply against this invitation for tender and undertake to abide by the said clause. We also assure uninterrupted supply of spares, material, service, etc. included in Bill of Quantities in the tender for till the completion of entire contract period (Inclusive of defect liability period of 3 years).

For and on behalf of M/s. _____ (Name of manufacturer)

Note:- This Proforma is meant for manufacturers who are participating in the tendering themselves. This letter shall be submitted with the tender in original on the letterhead of the manufacturing concern and signed by a person competent to sign the same.

BRIHANMUMBAI MUNICIPAL CORPORATION
(Hydraulic Engineer's Department)

Acceptance Letter

In e-bid -

Name of work: - Servicing & Overhauling of electrical actuators, gearbox & head stock units of various butterfly valves at Valve Maint. Section M-III A Panjrapur.

I / We certified that I/We have read all tender conditions//Corrigendum/ Addendums and same has been consider while submitting the tender.

Signature of tenderer:

For:

Address:

Date:

Seal of

(Note: this document shall be signed, stamped and uploaded in packet A in Bidder Doc folder)