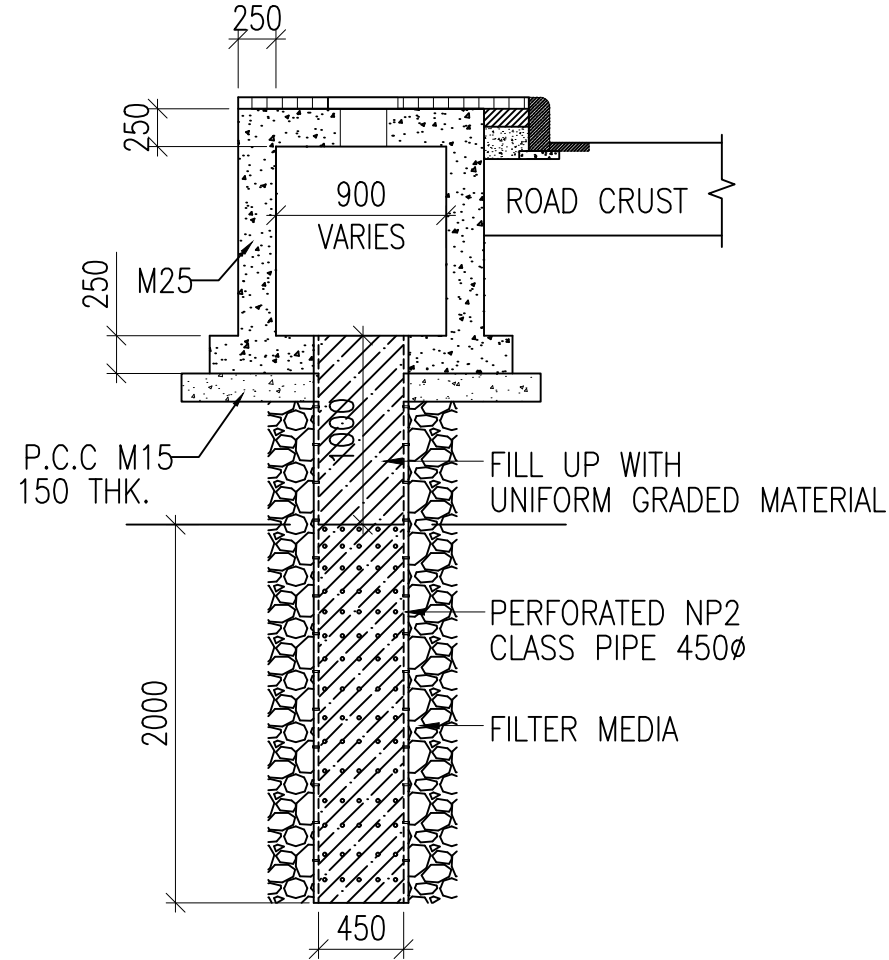
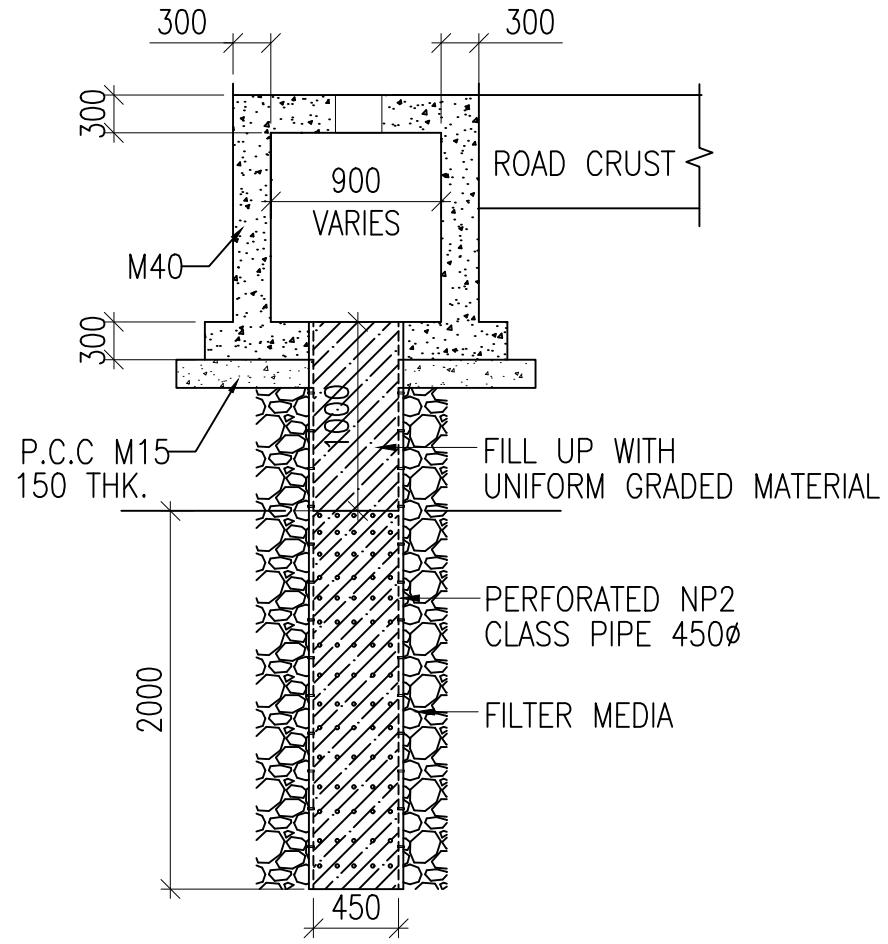


SKETCH NO. : B3395-TYP-SK1
DATE : 27.07.2022
DESIGNED BY : MAHALE
DRAWN BY : C.P

NAME OF WORK:- IMPROVEMENT OF VARIES ROADS IN E.S, MUMBAI
PARTICALARS :- DETAILS OF SOAK PIT IN SWD DRAIN



SOAK PIT DETAIL FOR NORMAL DRAIN



SOAK PIT DETAIL FOR FLUSH DRAIN