

**GREATER MUMBAI**  
**DEVELOPMENT PLAN-2034**  
**DEVELOPMENT CONTROL AND PROMOTION**  
**REGULATIONS-2034**

### Certification

This Development Control & Promotion Regulation – 2034 is sanctioned by the State Government vide notification / corrigendum Nos.

1. TPB -4317/629/CR-118/2017/DP/UD-11 dated 08/5/2018,
2. TPB-4317/629/CR-118/2017/DP/UD-11 dated 22/6/2018,
3. TPB- 4317/629/CR-118/2017/DP/UD-11 dated 29/6/2018,
4. TPB-4317/629/CR-118(III)/2017/EP(DCPR)/UD-11 dated 21/9/2018,
5. TPB-4317/629/CR-118(III)/2017/EP(DCPR)/UD-11 dated 23/10/2018
6. TPB-4317/629/CR-118(III)/2017/EP(DCPR)/UD-11 dated 12/11/2018



  
Deputy Secretary  
Urban Development Deptt  
Mantralaya, Mumbai - 32



# महाराष्ट्र शासन राजपत्र

## भाग एक-कोकण विभागीय पुरवणी

वर्ष ४, अंक २०]

गुरुवार ते बुधवार, मे १७-२३, २०१८ / वैशाख २७-ज्येष्ठ २, शके १९४०

[पृष्ठे १०७२

प्राधिकृत प्रकाशन

शासकीय अधिसूचना, नेमणुका इत्यादी

अधिसूचना

URBAN DEVELOPMENT DEPARTMENT

Mantralaya, Mumbai 400 032, dated 8th May 2018.

NOTIFICATION

No. TPB. 4317/629/CR-118/2017/DP/UD-11—Whereas, the Municipal Corporation of Greater Mumbai is the Planning Authority for jurisdiction of Greater Mumbai (hereinafter referred to as “ the said Corporation ”) as per the provisions of the Maharashtra Regional and Town Planning Act, 1966 (hereinafter referred as “ the said act ”).The first Development Plan prepared by the said Corporation, was sanctioned in the year 1964-1967. Thereafter, the said Corporation revised the first Development Plan as per provisions of the said act, and said revised Development Plan was sanctioned by State Government in the year 1991-1994. The last part of said Revised Development Plan was sanctioned on 4th March 1994 and has come into force accordingly ;

And whereas, the said Corporation *vide* their Resolution No.767, dated 20th October 2008 declared their intention to revise the Sanctioned Revised Development Plan of Greater Mumbai within its jurisdiction as laid down under section 38 read with section 23(1) of the said act. Accordingly, notice to that effect, was published in the *Official Government Gazette* on 1st July 2009. Thereafter the survey of Existing Land Use of the entire area within the jurisdiction of the said Corporation was carried out as laid down under section 25 of the said Act and the Existing Land Use maps were prepared ;

And whereas, the said Corporation had prepared the Draft Revised Development Plan along with Development Control Regulations and after obtaining sanction from General Body, *vide* Resolution No.1195 dated 23rd February 2015 published a Notice in the *Maharashtra Government Gazette* dated 25th February 2015 under sub-section (1) of section 26 of the said act for inviting suggestions/ objections from general public on the Draft Revised Development Plan ;

And whereas, the suggestions/objections received by the said Corporation in respect of errors in Draft Revised Development Plan and representations from organization, general public, members of Legislative Assembly/Council, the State Government has issued direction *vide* letter dated 23rd April 2015 under section 154(1) of the said Act, to the said Corporation to revamp/

(१)

recast the draft revised Development Plan after examining all the errors on the basis of existing site conditions and its merits by considering the planning and legal issues and republish the Draft Revised Development Plan after incorporating all the corrections for the purpose of inviting suggestion/objections as per the provision of section 26 of the said Act ;

And whereas, as per direction of the State Government, the Draft Revised Development Plan along with Development Control Regulations were prepared by the said Corporation within the time extension granted under section 26(A) introduced by the way of an ordinance No. XVIII of 2015, dated 29th August 2015 by the State Government and after obtaining sanction from General Body, *vide* Resolution No.307 dated 27th May 2016, a notice for inviting suggestions/objections from the general public as required under the provision of sub-section (1) of section 26 the said Act is republished in the *Maharashtra Government Gazette* dated 27th May 2016 (hereinafter referred to as “ the said Draft Development Plan ”) ;

And whereas, the Planning Committee constituted under section 28(2) of the said Act, has considered the suggestions and / or objections to the said Draft Development Plan received within stipulated period by the said Corporation and submitted their report along with their recommendations to the said Corporation under section 28(3) of the said Act on 6th March 2017 ;

And whereas, after considering the report of the Planning Committee, the said Corporation *vide* its Resolution No.393, dated 31st July 2017 has sanctioned the Draft Development Plan with modifications or changes carried out by Planning Committee subject to the modifications suggested by the said Corporation, which were published under section 28(4) of the said Act and submitted in accordance with the provisions of sub-section (1) of section 30 of the said Act, to the State Government for sanction *vide* letter dated 2nd August 2017 ;

And whereas, in accordance with sub-section (1) of section 31 of the Said Act, after making necessary enquiries and after consulting the Director of Town Planning, Maharashtra State, Pune the State Government has accorded sanction to the Draft Development Plan (Part) of Greater Mumbai in K/E, S, G/S Ward *vide* notification No. TPB. 4317/629/CR-118/2017/UD-11, dated 9th November 2017 and notification No. TPB. 4317/778/CR-267/2017/UD-11, dated 7th February 2018 ;

And whereas, the Director of Town Planning, *vide* his Marathi letter. No.1225, dated 21st February 2018 has submitted his Report on the modified Draft Development Plan and the Draft Development Control and Promotion Regulations in respect of proposal of Development plan of Greater Mumbai 2034 to Government for sanction ;

And whereas, in accordance with provisions of sub section (1) of section 31 of the Said Act, after making necessary enquiries and after consulting the Director of Town Planning, Maharashtra State, Pune, the State Government has accorded sanction to the Draft Development Plan of Greater Mumbai with modification shown in **SCHEDULE-A** appended to this **Notification No. TPB. 4317/629/CR-118/2017/DP/UD-11, Dated 8 May 2018** excluding the **substantial Modification** as shown in **SCHEDULE-B** appended hereto.

Now therefore, in exercise of the powers conferred by sub-section (1) of section 31 of the Said Act and of all other powers enabling it on that behalf, the Government of Maharashtra hereby :—

(A) Accords Sanction to the Draft Development Plan 2034 of Greater Mumbai excluding the part portion of sanctioned Development Plan *vide* Notification dated 9th November 2017 and 7th February 2018. with following policy notes and conditions which are applicable to entire Development Plan 2034.

(1) The word used on Plan/Report/DCPR as “designated” for the purpose of showing respective existing facilities/amenities shall be changed to “Existing”. So the prefix “D” at all the places shall be replaced by prefix “E” eg. DE, DOS, DSA etc shall be changed to EE, EOS, ESA etc.

(2) If the commissioner found that the designation shown on plan is not as per site condition and it is a draftsman's error, he may pass a suitable specific order to correct it and shall issue a written, well-reasoned, speaking order modifying Development Plan to that effect and copy of such order along with certified part plan in original shall be forwarded to Government in Urban Development Department and the Director of Town Planning, Maharashtra State, Pune for record. In any case the commissioner shall not delegate his power to do so, to any officer sub-ordinate to him :

Provided that such proposal shall be submitted by the concerned land owner to the commissioner within a period of 3 months from the date on which the D.P. come into force and commissioner shall take the decision on it within next 6 months.

(3) All the reservations proposed on the layout R.G. shall be deleted by the commissioner under his special permission, as and when noticed or brought to the notice to him. For such deletion the commissioner shall pass a special well reasoned, speaking order, modifying Development Plan to that effect and copy of such order along with certified part plan showing such modification in original shall be forwarded to the Director of Town Planning, Maharashtra State, Pune and Government in Urban Development Department for record. In any case the commissioner shall not delegate his power to do so, to any officer sub-ordinate to him.

(4) Where Public Parking Lots (PPL) has been proposed or developed on Partial land or on some floors of Residential/Commercial buildings and on such lands, under the provisions of regulations, Where the proposed reservation/designation of Public Parking Lot (PPL) is shown in Development plan, then all such reservation/designation shall deemed to be deleted and land under such reservation/designation shall be included in the adjoining pre-dominant land use.

(5) Where the public parking lots (PPL) have been handed over to Municipal Corporation after development by getting the approval of Corporation then such sites be shown as existing Public Parking Lot (PPL).

(6) The reservations for Petrol pump are proposed to be sanctioned as proposed under section 30 of MR & TP Act, 1966.

(7) Alignment of nalla shall be considered as continuous even if it is shown as broken in some part due to covered portion if such broken alignment come into notice or brought to the notice of the commissioner, he shall issue a written, well-reasoned, speaking order modifying Development Plan to that effect and copy of such order along with certified part plan in original shall be forwarded to the Director of Town Planning, Maharashtra State, Pune and Government in Urban Development Department for record. In any case the commissioner shall not delegate his power to do so, to any officer sub-ordinate to him.

(8) The designation shown for petrol pump on Development Plan shall be considered only up to the minimum area and access as otherwise required under these regulations for the user of petrol pump. Excess area of such designation shall be considered as deleted from such designation. If it is brought to the notice of Commissioner then he shall issue a written, well-reasoned, speaking order modifying Development Plan to that effect and copy of such order along with certified part plan in original shall be forwarded to the Director of Town Planning, Maharashtra State, Pune and Government in Urban Development Department for record. In any case the commissioner shall not delegate his power to do so, to any officer sub-ordinate to him.

(9) 30m buffer line is shown on Development Plan along last track of railway line. If any deviation is found regarding this 30m distance, then the commissioner shall correct such line and shall issue a written, well-reasoned, speaking order modifying Development Plan to that effect and copy of such order along with certified part plan in original shall be forwarded to the Director of Town Planning, Maharashtra State, Pune and Government in

Urban Development Department for record. In any case the commissioner shall not delegate his power to do so, to any officer sub-ordinate to him.

(10) At the time of Implementation, if the alignment of coastal road varies from the alignment shown on D.P. due to site situation, then such variations shall be permitted and the alignment on DP shall be treated as stand modified to that effect. The area released due to such deviation shall be considered as included in adjoining zone.

(11) The appropriate authority for all the reservation for "Government Office" shall be changed to "PWD/GAD".

(12) Where the I to R/C proposal is sanctioned by Corporation but still the land under such proposal is shown in industrial zone, then notwithstanding to that, separate permission for I to R/C shall not be required and no any procedure to that effect is necessary.

(13) In case of sanctioned I to R/C proposals once the amenity space is handed over and final Occupancy Certificate is granted, the zone of such lands shall be treated as the zone for which it is converted even if they are shown as Industrial on D.P.

(14) In case of sanctioned Accommodation Reservation proposals, if the share of MCGM along with the construction if any thereon is handed over and final Occupation Certificate is granted to it, then the share of land retained with the owner shall be declared as free from reservation by the commissioner and he shall issue a written, well-reasoned, speaking order modifying Development Plan to that effect and copy of such order along with certified part plan in original shall be forwarded to the Director of Town Planning, Maharashtra State, Pune and Government in Urban Development Department for record. In any case the commissioner shall not delegate his power to do so, to any officer sub-ordinate to him.

(15) If the land shown as a Natural Area (N.A.), does not fulfills the criteria set for it, then the commissioner, with the prior approval from the Government, under his special permission shall pass a well reasoned order to consider that land is in No Development Zone/Special Development Zone (NDZ/SDZ). In any case the commissioner shall not delegate his power to do so, to any officer sub-ordinate to him.

(16) If any reservation in the earlier sanctioned Development Plan is lapsed in pursuance of notice under section 49 or 127 of the MRTP Act, 1966 or as directed by the Hon. High court/Supreme Court in respect of such notice, then the corresponding reservation shall stand lapsed in the Revised Development Plan to the extent of area covered in the said notice.

(17) The proposal of the 1991 D.P. on the government lands, which are granted by the government to any institute or persons excepting textile mill, during the period from the date of sanction of the concerned part of the 1991 D.P. and the date of publication of draft D.P. 2034 under section 26(i.e. 27th May 2016) which are valid, shall prevail, irrespective of any proposal in the 2034 D.P. subject to the stipulations of the order of the said grant of land/ consent term if any/court order if any, in this regard.

Provided that the above provision shall also be applicable to the land allotted by the MCGM/ MMRDA and to the lands for which the land use decided by competent court and to the lands for which the consent terms submitted by government in the competent court. Provided further that, such proposals shall be submitted by the allottee to the commissioner within a period of three months from the date on which the D.P. come into force and the commissioner shall take decision on it within next six months.

(18) Reservation for which the appropriate authority is shown a private person/private institute shall be considered to be lapsed. The development permission on such land shall be permitted as otherwise permissible on the adjoining land and as per the DCR 2034.

(19) In case of any variation proposal to the final TPS is sanctioned by the government, the proposals of the final D.P. stands modified to that effect.

(20) If the SRS is sanctioned considering proposals of 1991 Development Plan and also by rearranging the reservations and road proposals of 1991 D.P. and such sanction is still valid and if new reservations are proposed in 2034 D.P. on such land then new reservations of 2034 D.P. shall be deemed to be deleted. In such cases, the rearranged proposal as per sanctioned SRS if any shall prevail over 2034 D.P.

(21) Where layouts are approved and IOD granted prior to 27th May 2016 (*i.e.* date of publication of D.P. under section 26 of MRTP) which are valid then the proposals of 1991 D.P., on such land shall prevail over proposal under 2034 D.P.

(22) Draftsman's error - Draftsman's errors which are required to be corrected as per actual situation on site and / or correction in existing boundaries of the establishments is required to be corrected as per city survey record or revenue record or as per acquisition and possession of lands or as per valid sanctioned layout etc. may be corrected by the Municipal Commissioner. In respect of High Tension Line, the alignment shown on D.P. is to be corrected or deleted wherever required by the Municipal Commissioner in consultation with the concerned department. However, due to shifting or deletion of such High Tension Line, the land use zone of lands (before shifting) under H.T. Line shall be the zone of adjoining land.

The Municipal Commissioner, after due verification and satisfying himself regarding such error, shall issue a written, well-reasoned, speaking order modifying Development Plan to that effect and copy of such order in original shall be forwarded to the Government in Urban Development Department and Director of Town Planning, Maharashtra State, Pune for record. In any case the commissioner shall not delegate his power to do so, to any officer sub-ordinate to him.

(23) The areas of reserved sites as mentioned in Development Plan are approximate and tentative. The exact areas as measured on site as per the boundaries shown on the Development Plan shall be considered as the area of reserved site.

(24) The private or rental premises shown as designated in Public-Semipublic zone/use will continue to be in public-semipublic zone/use as long as Public-Semipublic user exists. If such user is shifted or closed then the Authority shall allow development permission on such land considering adjoining predominant land use zone, after due verification Commissioner may pass a suitable specific order to correct it and shall issue a written, well-reasoned, speaking order modifying Development Plan to that effect and copy of such order along with certified part plan in original shall be forwarded to the Director of Town Planning, Maharashtra State, Pune and Government in Urban Development Department for record. In any case the commissioner shall not delegate his power to do so, to any officer sub-ordinate to him.

(25) On lands acquired for public purpose from the earlier Sanctioned Development Plan where reservation is continued in this revised Development Plan for the another public purpose, in such cases such lands shall be available as per revised Development Plan reservation for public purpose.

(26) Existing Features Shown On Development Plan - The existing features shown on Development Plan are indicative and stand modified on Development Plan as per actual position. Merely mention of particular existing use on Development Plan, shall not bar the owner from development permission in that zone. Also, the boundaries of s. no., alignment of existing road / nala and other physical features of land shall be as per measurement plan of Land Records Department.

(27) Wherever the boundaries of Gaothan/Koliwada/Adivasi Pada are not shown on the Development Plan will be considered as and when the same is finalized by the Revenue Department.

महाराष्ट्र शासन राजपत्र भाग एक—कोकण विभागीय पुरवणी, गुरुवार ते बुधवार, मे १७-२३, २०१८ / वैशाख २७-ज्येष्ठ २, शके १९४०

(28) Every order passed by the commissioner, involving changes in D.P. proposals shall be send along with part plan to the Director of Town Planning, Maharashtra State, Pune and Government of Maharashtra in Urban Development Department for record purpose.

(B) Accords sanctioned to the Draft Development control and promotion regulations - 2034 for Greater Mumbai excluding the part portion specified in Schedule-B and more specifically given in the booklet available on the Government website.

(C) Extends the period prescribed under section 31(1) of the Said Act, for sanctioning the Said Development Plan upto and inclusive of the date of this notification.

(D) Fixes the date, one month after publication of this Notification in the *Official Gazette* to be the date on which the said sanctioned Development Plan of Greater Mumbai-2034 shall come into force.

The aforesaid part Final Development Plan of Greater Mumbai Sanctioned by the State Government *vide* this Notification shall be kept open for inspection by the general public during office hours on all working days for a period of one month from the date of coming into force of this Notification, at the office of the—

(1) Chief Engineer (Development Plan), Municipal Corporation of Greater Mumbai, Mahapalika Marg, Mumbai 400 001.

(2) Deputy Director of Town Planning, Greater Mumbai, ' E ' Block, ENSA Hutment, Azad Maidan, Mahapalika Marg, Mumbai 400 001.

This Notification shall also be available on the Government of Maharashtra website : [www.maharashtra.gov.in](http://www.maharashtra.gov.in) (कायदे व नियम)

By order and in the name of Governor of Maharashtra.

PRADEEP GOHIL,  
Under Secretary to Government.





# महाराष्ट्र शासन राजपत्र असाधारण भाग एक—कोकण विभागीय पुरवणी

वर्ष ४, अंक २६]

शुक्रवार, जून २२, २०१८/आषाढ १, शके १९४०

[ पृष्ठे २, किंमत : रुपये ११.००

असाधारण क्रमांक ३६

प्राधिकृत प्रकाशन

URBAN DEVELOPMENT DEPARTMENT

Mantralaya, Mumbai 400 032, dated 22nd June, 2018

CORRIGENDUM

No. TPB-4317/629/CR-118/2017/DP/UD-11.—Whereas, in accordance with the provisions of sub-section (1) of section 31 of the Maharashtra Regional and Town Planning Act, 1966 (hereinafter referred to as “ the said Act ”), the State Government *vide* Notification No. TPB-4317/629/CR-118/2017/DP/UD-11, dated 8th May 2018 (hereinafter referred to as “ the said Notification ”) has accorded sanction to the Draft Development Plan of Greater Mumbai with modification shown in SCHEDULE-A appended to the said Notification excluding the substantial Modification as shown in SCHEDULE-B appended to the said Notification;

And whereas, copies of sanctioned Development Plan are not yet uploaded on Government / MCGM web site. And whereas, due to unavailability of Sanctioned Development Plan to General Public, it is necessary to extent date on which the Sanctioned Development Plan will come into force. And whereas, for that purpose corrections is needed in the said notification and for that purpose it is necessary to issue a Corrigendum to the said Notification.

Now, therefore, this Corrigendum is issued to the said Notification as mentioned in Annexure-I appended hereto.

Copy of this Corrigendum is kept open for the inspection of the public in the following offices during office hours on all working days.

- (1) Chief Engineer (Development Plan), Municipal Corporation of Greater Mumbai, Mahapalika Marg, Mumbai 400 001.
- (2) Deputy Director of Town Planning, Greater Mumbai, 'E' Block, ENSA Hutment, Azad Maidan, Mahapalika Marg, Mumbai 400 001.

This Notification shall also be available on the Government of Maharashtra website : [www.maharashtra.gov.in](http://www.maharashtra.gov.in) (कायदे व नियम).

By order and in the name of the Governor of Maharashtra,

SANJAY BANAIT,  
Deputy Secretary to Government.

(१)

**(Appended to the Urban Development Departments Corrigendum  
No. TPB-4317/629/CR-118/2017/DP/UD-11, dated 22nd June, 2018)**

Corrigendum to Notification No. TPB-4317/629/CR-118/2017/DP/UD-11, dated 8th May 2018.

*CORRIGENDUM*

Para of Notification	<i>Instead of</i>	<i>Read as</i>
D	D) Fixes the date, one month after publication of this Notification in the <i>Official Gazette</i> to be the date on which the said sanctioned Development Plan of Greater Mumbai-2034 shall come into force.	D) Fixes the date, <del>one month after publication of this Notification in the <i>Official Gazette</i></del> 1/09/2018 to be the date on which the said sanctioned Development Plan of Greater Mumbai-2034 shall come into force.

SANJAY BANAIT,  
Deputy Secretary to Government



# महाराष्ट्र शासन राजपत्र

## असाधारण भाग एक—कोकण विभागीय पुरवणी

वर्ष ४, अंक २७]

शनिवार, जून ३०, २०१८/आषाढ ९, शके १९४०

[ पृष्ठे ४०, किंमत : रुपये ११.००

असाधारण क्रमांक ३८

प्राधिकृत प्रकाशन

नगरविकास विभाग

मंत्रालय, मुंबई ४०० ०२१, दिनांक २९ जून २०१८

अधिसूचनेस शुद्धिपत्रक व पूरकपत्र

क्रमांक टीपीबी-४३१७/६२९/प्र.क्र. ११८/२०१७/वि.यो./नवि-११.—ज्याअर्थी, महाराष्ट्र प्रादेशिक व नगररचना अधिनियम, १९६६ (यापुढे याचा उल्लेख “उक्त अधिनियम” असा करण्यात आलेला आहे.) चे कलम ३१, पोट-कलम (१) अन्वये प्राप्त अधिकारांचा वापर करून राज्य शासनाने अधिसूचना क्रमांक टीपीबी-४३१७/६२९/प्र.क्र. ११८/२०१७/वि.यो./नवि-११, दिनांक ८ मे २०१८ (यापुढे याचा उल्लेख “उक्त अधिसूचना” असा करण्यात आलेला आहे) द्वारे बृहन्मुंबई प्रारूप विकास योजना, २०३४ ला उक्त अधिसूचनेसोबतचे परिशिष्ट-ब मध्ये दर्शविलेले मंजुरीतून वगळलेले सारभूत स्वरूपाचे फेरबदल (ई.पी.) वगळून उक्त अधिसूचनेसोबतचे परिशिष्ट-अ मध्ये दर्शविलेल्या सुधारणेसह मंजुरी दिली आहे आणि शासनाने उक्त अधिसूचनेस सम क्रमांकाचे शुद्धिपत्रक दिनांक २२ जून २०१८ रोजी पारित केले आहे ;

आणि ज्याअर्थी, उक्त अधिसूचनेत आणि परिशिष्ट-अ मध्ये काही टंकलेखनाच्या त्रुटी व चुका असल्याचे निदर्शनास आले आहे आणि त्याकरिता सोबत जोडलेले जोडपत्र I मध्ये नमूद केलेले शुद्धिपत्रक व पूरकपत्र निर्गमित करणे आवश्यक आहे ;

आणि त्याअर्थी, उक्त अधिसूचनेत व परिशिष्ट-अ मध्ये अशा सुधारणा करण्यासाठी जोडपत्र-I मध्ये नमूद केल्याप्रमाणे शुद्धिपत्रक व पूरकपत्र निर्गमित करण्यात येत आहे.

उक्त अधिसूचनेस शुद्धिपत्रक व पूरकपत्राची प्रत नागरिकांचे अवलोकनार्थ तीस दिवसांचे कालावधीपर्यंत खालील ठिकाणी कार्यालयीन वेळेमध्ये उपलब्ध राहिल :—

(१) प्रमुख अभियंता (विकास नियोजन), बृहन्मुंबई महानगरपालिका, महापालिका मार्ग, फोर्ट, मुंबई ४०० ००१.

(२) उप संचालक, नगररचना, बृहन्मुंबई, इन्सा हटमेंट्स, ई-ब्लॉक, आज्ञाद मैदान, महापालिका मार्ग, मुंबई ४०० ००१.

सदर अधिसूचनेस शुद्धिपत्रक व पूरकपत्र महाराष्ट्र शासनाच्या [www.maharashtra.gov.in](http://www.maharashtra.gov.in) (कायदे व नियम) या वेबसाईटवर प्रसिद्ध करण्यात आली आहे.

महाराष्ट्राचे राज्यपाल यांच्या आदेशानुसार व नावाने,

प्रदीप गोहिल,  
शासनाचे अवर सचिव.

(१)

(नगरविकास विभागाकडील शुद्धीपत्रक व पूरकपत्र क्रमांक टीपीबी. ४३१७/६२९/प्र.क्र. ११८/२०१७/वि.यो./नवि-११, दिनांक २९ जून २०१८ सोबतचे जोडपत्र)  
(अ) अधिसूचना क्रमांक टीपीबी. ४३१७/६३९/प्र.क्र. ११८/२०१७/वि.यो./नवि-११, दिनांक ८ मे २०१८ ला शुद्धीपत्रक.

अधिसूचनेस शुद्धीपत्रक

अधिसूचनेतील परिच्छेद (१)	या एवजी (२)	असे वाचावे (३)
17	<p>17. The proposal of the 1991 D.P. on the government lands, which are granted by the government to any institute or persons excepting textile mill, during the period from the date of sanction of the concerned part of the 1991 D.P. and the date of publication of draft D.P. 2034 under section 26 (i.e. 27.05.2016) which are valid, shall prevail, irrespective of any proposal in the 2034 D.P. subject to the stipulations of the order of the said grant of land/ consent term if any/court order if any, in this regard. : Provided that the above provision shall also be applicable to the land allotted by the MCGM/MMRDA and to the lands for which the consent terms decided by competent court and to the lands for which the consent terms submitted by government in the competent court. Provided further that, such proposals shall be submitted by the allottee to the commissioner within a period of three months from the date on which the D.P. come into force and the commissioner shall take decision on it within next six months.</p>	<p>17. The Proposal of the 1991 D.P. on the Government lands, which are granted by the Government to any institute or persons excepting textile mill, during the period from the date of sanction of the concerned part of the 1991 D.P. and the date of publication of draft D.P.2034 under section 26 (i.e.27.05.2016) which are valid, shall prevail, irrespective of any proposal in the 2034 D.P. subject to the stipulations of the order of the said grant of land/ consent term if any / court order if any, in this regard. : Provided that the above provision shall also be applicable to the land allotted by the MCGM / MMRDA and to the lands for which the land use decided by competent court and to the lands for which the consent terms submitted by government in the competent court. <b>Provided further that, modifications sanctioned by Government u/s 37 of MRTP Act, 1966 to the proposal of 1991, D.P. which are not incorporated in 2034 D.P. shall prevail irrespective of any proposal in 2034 D.P.</b> Provided further that, such proposals shall be submitted by the allottee/applicant to the Commissioner within a period of three months from the date on which the D.P. come into force and the commissioner shall take decision on it within next six months.</p>

**URBAN DEVELOPMENT DEPARTMENT**

Mantralaya, Mumbai 400 032, dated the 29th June 2018.

*Corrigendum and Addendum to Notification*

No. TPB. 4317/629/CR-118/2017/DP/UD-11.—Whereas, in exercise of the powers conferred by sub-section (1) of Section 31 of the Maharashtra Regional and Town Planning Act, 1966 (hereinafter referred to as “ the said Act ”), the State Government *vide* Notification No. 4317/629/CR-118/2017/DP/UD-11, dated 8th may 2018 (hereinafter referred to as “ the said Notification ”) has accorded sanction to the Draft Development Plan-2034 of Greater Mumbai with modifications shown in SCHEDULE-A appended to the said Notification excluding the substantial modifications as shown in SCHEDULE-B appended to the said Notification and Government has issued corrigendum of even number dated 22nd June 2018 to the said Notification ;

And Whereas, it is noticed that there are some typographical Errors and mistakes, in the said Notification and SCHEDULE-A and for that purpose it is necessary to issue a Corrigendum and Addendum for the same as mentioned in Annexure-I, appended hereto ;

Now, therefore, this Corrigendum and addendum is issued in respect of such corrections and additions in the said Notification and SCHEDULE-A as mentioned in Annexure-I appended hereto.

Copy of this Corrigendum and Addendum is made available for the inspection of the public in the following offices during office hours on all working days for period of thirty days.

(1) Chief Engineer (Development Plan), Municipal Corporation of Greater Mumbai, Mahapalika Marg, Mumbai 400 001.

(2) Deputy Director of Town Planning, Greater Mumbai, ‘ E ’ Block ENSA Hutment, Azad Maidan, Mahapalika Marg, Mumbai 400 001.

This Notification Shall also be available on the Government of Maharashtra website : [www.maharashtra.gov.in](http://www.maharashtra.gov.in) (**Acts and Rules**).

By order and in the name of the Governor of Maharashtra,

**PRADEEP GOHIL,**  
Under Secretary to Government.

## Annexure-1

Appended to the Urban Development Department's Corrigendum and Addendum No. TPB-4317/629/CR-118/2017/DPP/UD-11, dated 29th June 2018

(A) Corrigendum to Notification No. TPB. 4317/629/CR-118/2017/DPP/UD-11, dated 8th May 2018.

## Corrigendum to Notification

Para of Notification (1)	Instead of (2)	Read as (3)
17	17. The proposal of the 1991 D.P. on the government lands, which are granted by the government to any institute or persons excepting textile mill, during the period from the date of sanction of the concerned part of the 1991 D.P. and the date of publication of draft D.P. 2034 under section 26 (i.e. 27.05.2016) which are valid, shall prevail, irrespective of the 2034 D.P. subject to the stipulations of the order of the said grant of land/ consent term if any/court order if any, in this regard. Provided that the above provision shall also be applicable to the land allotted by the MCGM/MMRDA and to the lands for which the land use decided by competent court and to the lands for which the consent terms submitted by government in the competent court.	17. The Proposal of the 1991 D.P. on the Government lands, which are granted by the Government to any institute or persons excepting textile mill, during the period from the date of sanction of the concerned part of the 1991 D.P. and the date of publication of draft D.P.2034 under section 26 (i.e.27.05.2016) which are valid, shall prevail, irrespective of any proposal in the 2034 D.P. subject to the stipulations of the order of the said grant of land/ consent term if any / court order if any, in this regard. Provided that the above provision shall also be applicable to the land allotted by the MCGM / MMRDA and to the lands for which the land use decided by competent court and to the lands for which the consent terms submitted by government in the competent court. <b>Provided further that, modifications sanctioned by Government u/s 37 of MRTP Act, 1966 to the proposal of 1991, D.P. which are not incorporated in 2034 D.P. shall prevail irrespective of any proposal in 2034 D.P.</b> Provided further that, such proposals shall be submitted by the allottee/applicant to the Commissioner within a period of three months from the date on which the D.P. come into force and the commissioner shall take decision on it within next six months.



# महाराष्ट्र शासन राजपत्र

## असाधारण भाग एक-कोकण विभागीय पुरवणी

वर्ष ४, अंक ४२]

सोमवार, सप्टेंबर २४, २०१८/आश्विन २, शके १९४०

[पृष्ठे ८७९, किंमत : रुपये ११.००

असाधारण क्रमांक ५९

प्राधिकृत प्रकाशन

नगर विकास विभाग

मंत्रालय, मुंबई ४०० ०३२, दिनांक २१ सप्टेंबर २०१८

अधिसूचना

क्रमांक टीपीबी. ४३१७/६२९/प्र.क्र.११८(III)/२०१७/ई.पी.(विनिवप्रोनि)/नवि-११. — ज्याअर्थी, महाराष्ट्र प्रादेशिक व नगररचना अधिनियम, १९६६ (यापुढे याचा उल्लेख “ उक्त अधिनियम ” असा करणेत आलेला आहे.) च्या तरतुदीनुसार बृहन्मुंबई महानगरपालिकेच्या अधिकारक्षेत्राकरिता बृहन्मुंबई महानगरपालिका (यापुढे याचा उल्लेख “ उक्त महानगरपालिका ” असा करणेत आलेला आहे) हे नियोजन प्राधिकरण आहे. उक्त महानगरपालिकेने तयार केलेला पहिला विकास आराखडा शासनाने सन १९६४-६७ मध्ये मंजूर केला. तदनंतर उक्त अधिनियमाच्या तरतुदीनुसार सदर पहिला विकास आराखडा उक्त महानगरपालिकेने सुधारित केला व त्यानुसार सुधारीत विकास आराखडा हा सन १९९१-१९९४ या कालावधीत राज्य शासनाकडून मंजूर करण्यात आला. सदर सुधारित विकास आराखड्याचा शेवटचा भाग दिनांक ४ मार्च, १९९४ रोजी मंजूर होऊन त्यानुसार अंमलातही आलेला आहे ;

आणि ज्याअर्थी, उक्त अधिनियमाच्या कलम २३ (१) सह कलम ३८ च्या तरतुदीनुसार उक्त महानगरपालिकेने दिनांक २० ऑक्टोबर, २००८ चा ठराव क्र. ७६७ अन्वये बृहन्मुंबई महानगरपालिकेच्या अधिकारक्षेत्रातील क्षेत्राकरिता, विकास आराखडा सुधारीत करण्याच्या उद्देशास मंजुरी दिली. त्यानुसार या संदर्भातील सूचना दिनांक १ जुलै, २००९ च्या शासकीय राजपत्रात प्रसिद्ध करण्यात आली. तदनंतर, महाराष्ट्र प्रादेशिक व नगररचना अधिनियम, १९६६ च्या कलम २५ मधील तरतुदीनुसार बृहन्मुंबई महानगरपालिका क्षेत्रातील जमिनीच्या विद्यमान भू-वापराचे सर्वेक्षण करण्यात येऊन त्यानुसार विद्यमान भू-वापर नकाशे तयार करण्यात आले होते ;

आणि ज्याअर्थी, उक्त महानगरपालिकेने प्रारूप सुधारित विकास आराखडा-२०३४ विकास नियंत्रण नियमावलीसह तयार केलेला होता आणि सर्वसाधारण सभेची दिनांक २३ फेब्रुवारी, २०१५ च्या ठराव क्र. ११९५ अन्वये मंजुरी घेऊन प्रारूप सुधारित विकास आराखड्यावर नागरिकांच्या हरकती/सूचना मागविणारी उक्त अधिनियमाच्या कलम २६ च्या पोट-कलम (१) खालील सूचना दिनांक २५ फेब्रुवारी, २०१५ रोजीच्या शासन राजपत्रामध्ये प्रकाशित करणेत आली होती ;

आणि ज्याअर्थी, सुधारित प्रारूप विकास आराखडा-२०३४ मध्ये असलेल्या त्रुटीच्या अनुषंगाने प्राप्त झालेल्या हरकती/सूचना, सर्वसाधारण जनतेची तसेच विविध संस्थांची निवेदने, विधानसभा/विधानपरिषद सदस्य यांची निवेदने विचारात घेऊन शासनाने उक्त अधिनियमाच्या कलम १५४(१) अन्वये, योजनेमधील सर्व त्रुटींची सखोल शहानिशा करून जागेवरील परिस्थितीनुसार, गुणवत्तेनुसार, नियोजनाचे दृष्टीने व कायदेशीर बाबी तपासून, त्यानुसार दुरुस्ती करून प्रारूप सुधारित विकास योजना-२०३४ उक्त अधिनियमाच्या कलम २६ अन्वये नागरिकांच्या हरकती/सूचनांसाठी पुनर्प्रसिद्ध करणेचे निदेश दिनांक २३ एप्रिल, २०१५ रोजी उक्त महानगरपालिकेस दिलेले होते ;

आणि ज्याअर्थी, शासनाच्या निदेशाप्रमाणे उक्त महानगरपालिकेने, शासनाने उक्त अधिनियमाच्या कलम २६(१) अन्वये वाढवून दिलेल्या कालावधीमध्ये प्रारूप सुधारित विकास योजना-२०३४ विकास नियंत्रण नियमावली-२०३४ सह तयार केलेली होती आणि महासभेची दिनांक २७ मे, २०१६ च्या ठराव क्र. ३०७ अन्वये मंजुरी घेऊन, उक्त अधिनियमाच्या कलम २६ च्या पोट-कलम (१) च्या तरतुदीनुसार आवश्यक असलेल्या नागरिकांच्या हरकती/सूचना मागविणारी सूचना महाराष्ट्र शासन राजपत्र, दिनांक २७ मे २०१६ मध्ये पुनर्प्रसिद्ध केलेली होती (यापुढे याचा उल्लेख “ उक्त प्रारूप विकास योजना ” असा केलेला आहे.) ;

आणि ज्याअर्थी, उक्त अधिनियमाच्या कलम २८(२) अन्वये गठीत केलेल्या नियोजन समितीने उक्त प्रारूप विकास योजनेबाबत महानगरपालिकेकडे विहित मुदतीत प्राप्त झालेल्या हरकती आणि/वा सूचना विचारात घेऊन उक्त अधिनियमाचे कलम २८(३) नुसार, दिनांक ६ मार्च, २०१८ रोजी उक्त महानगरपालिकेस त्यांच्या शिफारशीसह अहवाल सादर केलेला होता ;

आणि ज्याअर्थी, नियोजन समितीचा अहवाल विचारात घेऊन उक्त महानगरपालिकेने ठराव क्र. ३९३, दिनांक ३१ जुलै, २०१७ अन्वये महानगरपालिकेने सुचविलेल्या फेरबदलास अधीन राहून नियोजन समितीने सुचविलेल्या बदलासह उक्त प्रारूप विकास योजनेस मंजूरी दिलेली असून, सदर फेरबदल उक्त अधिनियमाचे कलम २८(४) नुसार प्रसिद्ध करून, उक्त अधिनियमाचे कलम ३० पोट-कलम (१) चे तरतुदीनुसार उक्त प्रारूप विकास योजना सह विकास नियंत्रण व प्रोत्साहन नियमावली-२०३४ शासनास दिनांक २ ऑगस्ट, २०१७ रोजीचे पत्रान्वये मंजूरीसाठी सादर केलेली आहे ;

आणि ज्याअर्थी, उक्त अधिनियमाचे कलम ३१ चे पोट-कलम (१) अन्वये योग्य ती चौकशी करून तसेच संचालक, नगररचना, महाराष्ट्र राज्य, पुणे यांचेशी बृहन्मुंबई प्रारूप विकास योजनेसंदर्भात सल्लामसलत करून के/पूर्व, एस व जी/दक्षिण प्रभागाच्या भागशः प्रस्तावाच्या संदर्भात अधिसूचना टीपीबी/४३१७/प्र.क्र.११८/२०१७/नवि-११, दिनांक ९ ऑक्टोबर, २०१७ आणि अधिसूचना क्रमांक टीपीबी/४३१७/७७८/प्र.क्र.२६७/२०१७/नवि-११, दिनांक ७ फेब्रुवारी, २०१८ अन्वये शासनाने मंजूरी दिली आहे ;

आणि ज्याअर्थी, उक्त अधिनियमाचे कलम ३१ चे पोट-कलम (१) अन्वये योग्य ती चौकशी करून तसेच संचालक, नगररचना, महाराष्ट्र राज्य, पुणे यांचेशी सल्लामसलत करून शासनाने बृहन्मुंबईचे प्रारूप विकास योजना सह विकास नियंत्रण व प्रोत्साहन नियमावली-२०३४ ला शासन अधिसूचना क्रमांक टीपीबी. ४३१७/६२९/प्र.क्र.११८/ २०१७/विनि/नवि-११, दिनांक ८ मे, २०१८ सह समक्रमांकाचे दिनांक २२ जून, २०१८ व दिनांक २९ जून, २०१८ रोजीचे समक्रमांकाचे शुद्धीपत्रक व पुरकपत्रक अन्वये सदर अधिसूचनेसोबतचे परिशिष्ट-ब मध्ये नमूद केलेले मंजूरीतून वगळलेले सारभूत स्वरूपाचे फेरबदल (ई.पी.) वगळून अधिसूचनेसोबतचे परिशिष्ट-अ मध्ये दर्शविलेल्या सुधारणेसह मंजूरी दिली आहे.

आणि ज्याअर्थी, शासनाने प्रारूप विकास योजना-२०३४ ला भागशः मंजूरी देताना मंजूरीतून वगळलेले विकास नियंत्रण व प्रोत्साहन नियमावली -२०३४ मधील सारभूत स्वरूपाचे फेरबदल ई.पी.-१ ते ई.पी.-१६८ संबंधाने सर्वसाधारण जनतेकडून हरकती आणि/ वा सूचना मागविण्यासाठी सूचना क्र. टीपीबी. ४३१७/६२९/प्र.क्र.११८/२०१७ / (ई.पी.)/नवि-११, दिनांक ८ मे, २०१८ सह शुद्धीपत्रक दिनांक २२ जून, २०१८ व दिनांक २९ जून, २०१८ द्वारे प्रसिद्ध करण्यात आली आहे आणि ज्याअर्थी सदर सूचना दिनांक ८ मे, २०१८ महाराष्ट्र शासनाचे राजपत्र, कोकण विभाग पुरवणीमध्ये दिनांक १७-२३ मे, २०१८ आणि सम क्रमांकाचे शुद्धीपत्रक दिनांक २२ जून, २०१८ व दिनांक २९ जून, २०१८ ही शासनाचे राजपत्र कोकण विभाग पुरवणीमध्ये दिनांक ३० जून, २०१८ रोजी प्रसिद्ध करण्यात आली आहे ;

आणि ज्याअर्थी, उप संचालक, नगररचना, बृहन्मुंबई यांना उक्त सुचनेनुसार प्राप्त होणाऱ्या हरकती/सूचनांना सुनावणी देऊन अहवाल सादर करणेसाठी अधिकारी म्हणून नियुक्त केले आहे ;

आणि ज्याअर्थी, उक्त अधिकारी यांनी विकास नियंत्रण व प्रोत्साहन नियमावली-२०३४ मधील मंजूरीतून वगळलेल्या सारभूत स्वरूपाचे फेरबदल ई.पी.-१ ते ई.पी.-१६८ संबंधी जनतेकडून प्राप्त हरकती आणि/वा सूचनादारांना सुनावणी देऊन त्यांचेकडील दिनांक २४ ऑगस्ट २०१८ रोजीचे पत्राद्वारे ई.पी.-१ ते ई.पी.-१६८ बाबत नगररचना संचालनालयामार्फत अहवाल सादर केला आहे. तसेच संचालक, नगररचना, महाराष्ट्र राज्य, पुणे यांनी त्यांचेकडील दिनांक २९ ऑगस्ट, २०१८ रोजीचे पत्राद्वारे उक्त अधिकारी यांचे अहवालावर अभिप्राय सादर केले आहेत ;

आणि ज्याअर्थी, उक्त अधिनियमाचे कलम ३१ चे पोट-कलम (१) अन्वये प्राप्त अधिकारात आणि त्या अनुषंगाने असलेल्या अधिकारांचा वापर करून तसेच संचालक, नगररचना, महाराष्ट्र राज्य, पुणे यांचेशी सल्लामसलत करून शासन याद्वारे :-

(अ) सोबतचे परिशिष्ट-अ मध्ये नमूद केलेल्या विकास नियंत्रण व प्रोत्साहन नियमावली-२०३४ मधील सदरहु सारभूत स्वरूपाचे बदल - ई.पी.-१ ते ई.पी.-१६८ ला (ठराविक ई.पी.-व निर्णयास्तव प्रलंबित ठेवलेल्या ठराविक तरतुदी वगळून ) मान्यता देण्यात येत आहे.

(ब) उक्त परिशिष्ट-अ नुसार मंजूरी दिलेल्या सारभूत स्वरूपाचे बदल (ई.पी.) दिनांक २४ ऑक्टोबर, २०१८ पासून अंमलात येतील.

(क) विकास नियंत्रण व प्रोत्साहन नियमावली-२०३४ मधील शासनाने मंजूरी दिलेले सारभूत स्वरूपाचे बदल (ई.पी.) मंजूरीची प्रत सर्वसाधारण जनतेच्या निरीक्षणासाठी प्रमुख अभियंता (विकास नियोजन), बृहन्मुंबई महानगरपालिका, महापालिका मार्ग, फोर्ट, मुंबई ४०० ००१ यांचे कार्यालयात सर्व कामकाजाच्या दिवशी कार्यालयीन वेळेत उपलब्ध राहिल.

सदर अधिसूचना महाराष्ट्र शासनाच्या [www.maharashtra.gov.in](http://www.maharashtra.gov.in) (कायदे व नियम) या वेबसाईटवर प्रसिद्ध करण्यात आली आहे.

महाराष्ट्राचे राज्यपाल यांच्या आदेशानुसार व नावाने.

प्रदीप गोहिल,

शासनाचे अवर सचिव.



## URBAN DEVELOPMENT DEPARTMENT

Mantralaya, Mumbai 400 032, dated 21st September 2018

### NOTIFICATION

No. TPB-4317/629/CR-118(III)/2017/EP(DCPR)/UD-1.— Whereas, the Municipal Corporation of Greater Mumbai is the Planning Authority for Jurisdiction of Greater Mumbai (hereinafter referred to as “ the said Corporation ”) as per the provisions of the Maharashtra Regional and Town Planning Act, 1966 (hereinafter refer to as “ the said Act ”). The first Development Plan prepared by the said Corporation, was sanctioned in the year 1964-1967. Thereafter, the said Corporation revised the first Development Plan as per provisions of the said Act, and the said revised Development Plan was sanctioned by the State Government in the year 1991-1994. The last part of the said Revised Development Plan was sanctioned on 4th March 1994 and has come into force accordingly ;

And whereas, the said Corporation *vide* its Resolution No.767, dated 20th October 2008 declared its intention to revise the Sanctioned Revised Development Plan of Greater Mumbai within its jurisdiction as laid down under Section 38 read with Section 23(1) of the said Act. Accordingly, a notice to that effect, was Published in the Official *Government Gazette* on 1st July, 2009. Thereafter, the survey of Existing Land Use of the entire area within the jurisdiction of the said Corporation was carried out as laid down under Section 25 of the said Act and the Existing Land Use maps were prepared ;

And whereas, the said Corporation had prepared the Draft Revised Development Plan along-with Development Control Regulations and after obtaining sanction from General Body, *vide* Resolution No.1195, dated 23rd February 2015, published a Notice in the *Maharashtra Government Gazette*, dated 25th February 2015, under sub-section (1) of section 26 of the said Act for inviting objections/suggestions from general public on the Draft Revised Development Plan-2034 ;

And Whereas, the objections/suggestions received by the said Corporation in respect of errors in Draft Revised Development Plan-2034 and representations from various organizations, general public, members of legislative assembly/Council, the State Government has issued direction *vide* letter dated 23rd April 2015, under Section 154(1) of the said Act, to the said Corporation to revamp/recast the Draft Revised Development Plan-2034 after examining all the errors on the basis of existing site conditions and its merits by considering the planning and legal issues and republish the Draft Revised Development Plan-2034 after incorporating all the corrections for the purpose of inviting objections/suggestions as per the provision of Section 26 of the said Act ;

And whereas, as per direction of the State Government, the Draft Revised Development Plan-2034 along with Development Control Regulations-2034 were prepared by the said Corporation within the time extension granted under Section 26(A) introduced by way of an ordinance No. XVIII of 2015, dated 29th August 2015 by State Government and after obtaining sanction from General Body, *vide* Resolution No.307, dated 27th May 2016, a notice for inviting objections/suggestions from the general public as required under the provision of sub-section (1) of Section 26 the said Act is republished in the *Maharashtra Government Gazette*, dated 27th May 2016, (hereinafter referred to as “ the said Draft Development Plan ”) ;

And whereas, the Planning Committee constituted under Section 28(2) of the said Act, has considered the objections and/or suggestions to the said Draft Development Plan received within stipulated period by the said Corporation and submitted its report alongwith recommendations to the said Corporation under Section 28(3) of the said Act on 6th March 2017 ;

And whereas, after considering the report of the Planning Committee, the said Corporation *vide* its Resolution No. 393, dated 31st July 2017 has sanctioned the Draft Development Plan with modifications or changes carried out by Planning Committee subject to the modifications suggested by the said Corporation, which were published under Section 28(4) of the said Act and submitted the Draft Development Plan-2034 alongwith Development Control and Promotion Regulations-2034 in accordance with the provisions of sub-section (1) of Section 30 of the said Act, to the State Government for sanction *vide* letter dated 2nd August 2017 ;

And whereas, in accordance with sub-section (1) of Section 31 of the said Act, after making necessary enquiries and after consulting the Director of Town Planning, Maharashtra State, Pune, the State Government has accorded sanction to the Draft Development Plan (Part) of Greater Mumbai in K/E, S,G/S Ward *vide* Notification No. TPB-4317/629/CR-118/2017/UD-11, dated 9th November 2017 and Notification No. TPB-4317/778/CR-267/2017/UD-11, dated 7th February 2018 ;

And whereas, in accordance with provisions of sub section (1) of section 31 of the said Act, after making necessary enquiries and after consulting the Director of Town Planning, Maharashtra State, Pune, the State Government has accorded sanction to the remaining part of the Draft Development Plan-2034 alongwith Development Control and Promotion Regulations-2034 of Greater Mumbai with modification shown in SCHEDULE-A appended to the Notification No. TPB-4317/629/CR-118/2017/DP/UD-11, dated 8th May 2018 excluding the substantial Modification as shown in SCHEDULE-B appended thereto read with corrigendum and Addendum of even number dated 22nd June 2018 and dated 29th June 2018 to the said Notification ;

And whereas, the Government of Maharashtra has sanctioned a part of the said Draft Development Plan, while excluding substantial modifications in respect of Development Control and Promotion Regulations -2034, which were published as EP-1 to EP 168 for inviting objections and/or suggestions from the general public *vide* Notice No. TPB-4317/629/CR-118/2017/EP/UD-11, dated 8th May 2018 read with corrigendum of even number dated 22nd June 2018 and dated 29th June 2018 to the said Notice. And whereas said Notice dated 8th May 2018 was published in the *Maharashtra Government Gazette*, Kokan Division Supplement, dated 17-23 May, 2018 and corrigendum of even number dated 22nd June 2018 and dated 29th June 2018 were published in the *Maharashtra Government Gazette*, Konkan Division Supplement dated 30th June 2018 ;

And whereas, the Deputy Director of Town Planning, Greater Mumbai is appointed as an “ Officer ” to give hearings and submit his report to the Government on the objections/suggestions received by him, as per said Notice ;

And whereas, the said Officer after giving hearing in respect of the objections and/or suggestions received from the general public, on the said Excluded Part No. EP-1 to EP-168 in respect of Development Control and Promotion Regulations-2034, and has submitted his report to the Government *vide* his letter, dated 24th August 2018 for EP-1 to EP-168 and whereas, the Director of Town Planning, Maharashtra State, Pune *vide* his letter dated 29th August 2018 has also submitted his report on the aforesaid report of the said Officer.

Now therefore, in exercise of the powers conferred by sub-section (1) of Section 31 of the said Act and all other powers enabling it in that behalf, the Government of Maharashtra, after consulting the Director of Town Planning, Maharashtra State, Pune hereby :—

(a) Sanctions the said Excluded Part No. EP-1 to EP-168 (Excluding certain EP and the provisions which were kept in abeyance) of the said Development Control and Promotion Regulations-2034, as more precisely specified in Schedule-A appended hereto.

(b) Fixes the date 24th October 2018 to be the date on which the said Excluded Parts as described in the Schedule-A shall come into force.

(c) Copy of the Development Control and Promotion Regulations-2034, showing the aforesaid Excluded Part as sanctioned by the State Government shall be kept open for inspection by the general public, during working hours for a period of one year in the office of the Chief Engineer (Development Plan), Municipal Corporation of Greater Mumbai on all working days.

This Notification shall also be available on the Government of Maharashtra website : [www.maharashtra.gov.in](http://www.maharashtra.gov.in) (कायदे व नियम).

By order and in the name of the Governor of Maharashtra,

PRADEEP GOHIL,  
Under Secretary to Government.



# महाराष्ट्र शासन राजपत्र

## असाधारण भाग एक-कोकण विभागीय पुरवणी

वर्ष ४, अंक ४५]

बुधवार, ऑक्टोबर २४, २०१८/कार्तिक २, शके १९४०

[पृष्ठे २, किंमत : रुपये ११.००

असाधारण क्रमांक ६४

प्राधिकृत प्रकाशन

URBAN DEVELOPMENT DEPARTMENT

Mantralaya, Mumbai 400 032, dated 23rd October 2018

CORRIGENDUM

No. TPB-4317/629/CR-118(III)/2017/EP(DCPR)/UD-11.—Whereas, in accordance with the provisions of sub-section (1) of section 31 of the Maharashtra Regional and Town Planning Act, 1966 (hereinafter referred to as “ the Said Act ”), the State Government *vide* Notification No. TPB. 4317/629/CR-118/2017/ DP/UD-11, dated the 8th May 2018 has accorded sanction to the Draft Development Plan-2034 and Draft Development Control and Promotion Regulations- 2034 of Greater Mumbai with modification shown in SCHEDULE-A appended to the said Notification excluding the substantial Modification as shown in SCHEDULE-B appended to the said Notification ;

And Whereas, in accordance with the provisions of sub-section (1) of section 31 of the said Act, the State Government *vide* Notification No. TPB. 4317/629/CR-118(III)/2017/EP(DCPR)/UD-11, dated the 21st September 2018 (hereinafter referred to as “ the said Notification ”) has accorded sanction to Excluded Part No. EP-1 to EP-168 (Excluding certain EP and the provisions which were kept in abeyance) of the Development Control and Promotion Regulations- 2034, as more precisely specified in Schedule-A appended thereto. And whereas, said excluded parts as described in the Schedule-A appended to the Notification, dated the 21st September 2018 will come into force from the date 24th October 2018 ;

And whereas, it is noticed that there are some typographical errors and mistakes in the Notification sanctioning the EP and other sanctioned provisions and for that purpose corrections is needed in the said Notification and therefore, it is necessary to extent the date from which the said Notification, dated the 21st September 2018 will come into force therefore it necessary to issue a corrigendum to the said Notification ;

(१)

Now, therefore, this Corrigendum is issued to the said Notification as mentioned in Annexure-I appended hereto.

Copy of this Corrigendum is kept open for the inspection of the public in the following offices during office-hours on all working days :—

(1) Chief Engineer (Development Plan), Municipal Corporation of Greater Mumbai, Mahapalika Marg, Mumbai 400 001.

(2) Deputy Director of Town Planning, Greater Mumbai, ' E ' Block, ENSA Hutment, Azad Maidan, Mahapalika Marg, Mumbai 400 001.

*ANNEXURE-I*

**Appended to the Urban Development Department Corrigendum  
No. TPB. 4317/629/CR-118(III)/2017/EP(DCPR)/UD-11, dated 23rd October 2018.  
(Corrigendum to Notification No. TPB. 4317/629/CR-118(III)/2017/EP(DCPR)/UD-11,  
dated the 21st September 2018.)**

*CORRIGENDUM*

Para of Notification	<i>Instead of</i>	<i>Read as</i>
(1)	(2)	(3)
b	(b) Fixes the date 24th October 2018 to be the date on which the said Excluded Parts as described in the Schedule-A shall come into force.	(b) Fixes the date 13th November, 2018 to be the date on which the said Excluded Parts as described in the Schedule-A shall come into force.

This Notification shall also be available on the Government of Maharashtra website : [www.maharashtra.gov.in](http://www.maharashtra.gov.in) (कायदे व नियम)

By order and in the name of the Governor of Maharashtra,

PRADEEP GOHIL,

Under Secretary to Government.



# महाराष्ट्र शासन राजपत्र

## असाधारण भाग एक-कोकण विभागीय पुरवणी

वर्ष ४, अंक ५१(२)]

बुधवार, नोव्हेंबर १४, २०१८/कार्तिक २३, शके १९४०

[पृष्ठे ११२, किंमत : रुपये ११.००

असाधारण क्रमांक ७७

प्राधिकृत प्रकाशन

नगरविकास विभाग

मंत्रालय, मुंबई ४०० ०३२, दिनांक १२ नोव्हेंबर २०१८

शुद्धीपत्र

क्रमांक टीपीबी. ४३१७/६२९/प्र.क्र. १८८/२०१७/(III)/नवि-११.—ज्याअर्थी, महाराष्ट्र प्रादेशिक व नगररचना अधिनियम, १९६६ (यापुढे याचा उल्लेख “ उक्त अधिनियम ” असा करणेत आलेला आहे) चे कलम ३१, पोट-कलम (१) अन्वये प्राप्त अधिकारांचा वापर करून राज्य शासनाने अधिसूचना क्रमांक टीपीबी. ४३१७/६२९/प्र.क्र.११८/२०१७/वि.यो./नवि-११, दिनांक ८ मे २०१८ (यापुढे याचा उल्लेख “ उक्त अधिसूचना ” असा करणेत आलेला आहे) याद्वारे बृहन्मुंबई प्रारूप विकास योजना-२०३४ ला उक्त अधिसूचनेसोबतचे परिशिष्ट-ब मध्ये दर्शविलेले सारभूत स्वरूपाचे फेरबदल (ई.पी.) वगळून उक्त अधिसूचनेसोबतचे परिशिष्ट-अ मध्ये दर्शविलेल्या सुधारणेसह मंजूरी दिली आहे आणि ज्याअर्थी शासनाने उक्त अधिसूचनेस समक्रमांकाचे शुद्धीपत्रक, दिनांक २२ जून २०१८ रोजी व त्यानंतर समक्रमांकाचे शुद्धीपत्रक व पुरकपत्र दिनांक २९ जून २०१८ रोजी पारित केले आहे आणि ज्याअर्थी, सदरहु दिनांक २९ जून २०१८ रोजीचे शुद्धीपत्रक व पुरकपत्र महाराष्ट्र शासनाच्या राजपत्रात दिनांक ३० जून, २०१८ रोजी प्रसिद्ध करण्यात आले आहे ;

आणि ज्याअर्थी, शासनाने दिनांक २१ सप्टेंबर २०१८ रोजीच्या अधिसूचनेद्वारे प्रारूप विकास योजना-२०३४ ला भागशः मंजूरी देताना मंजूरीतून वगळलेल्या विकास नियंत्रण व प्रोत्साहन नियमावली/२०३४ मधील सारभूत स्वरूपाचे फेरबदल ईपी-१ ते ईपी-१६८ ला (ठराविक ईपी व निर्णयार्थ प्रलंबित ठेवलेल्या ठराविक तरतुदी वगळून) मंजूरी प्रदान केली आहे ;

आणि ज्याअर्थी, उक्त मंजूरीच्या अधिसूचनेत आणि मंजूर तरतुदीमध्ये इतर काही टंकलेखनाच्या त्रुटी व चुका असल्याचे निदर्शनास आले आहे, तसेच आयुक्त बृहन्मुंबई महानगरपालिका यांनी दिनांक ६ नोव्हेंबर २०१८ रोजीचे पत्रान्वये काही अतिरिक्त त्रुटी व चुका निदर्शनास आणलेल्या आहेत. त्यामुळे मंजूर विकास नियंत्रण व प्रोत्साहन नियमावलीतील काही तरतुदींच्या अर्थबोधाची स्पष्टता करून सुसंगती आणणे आणि त्याकरीता शुद्धीपत्रक निर्गमित करणे आवश्यक आहे, असे शासनाचे मत झाले आहे ;

आणि त्याअर्थी, उक्त अधिसूचनेत आणि मंजूर विकास नियंत्रण व प्रोत्साहन नियमावलीतील इतर मंजूर तरतुदीमध्ये अशा सुधारणा करण्यासाठी सोबतचे परिशिष्टामध्ये नमूद केल्याप्रमाणे शुद्धीपत्रक निर्गमित करण्यात येत आहे.

उक्त शुद्धीपत्रकाची प्रत नागरिकांचे अवलोकनार्थ तीस दिवसांचे कालावधीपर्यंत खालील ठिकाणी कार्यालयीन वेळेमध्ये उपलब्ध राहिल :-

(१) प्रमुख अभियंता (विकास नियोजन), बृहन्मुंबई महानगरपालिका, महापालिका मार्ग, फोर्ट, मुंबई ४०० ००१.

(२) उप संचालक, नगररचना, बृहन्मुंबई, इन्सा हटमेंट्स, ई-ब्लॉक, आझाद मैदान, महापालिका मार्ग, मुंबई ४०० ००१.

सदर शुद्धीपत्रक महाराष्ट्र शासनाच्या [www.maharashtra.gov.in](http://www.maharashtra.gov.in) (कायदे व नियम) या वेबसाईटवर देखील प्रसिद्ध करण्यात आले आहे.

महाराष्ट्राचे राज्यपाल यांच्या आदेशानुसार व नावाने,

प्रदीप गोहिल,  
शासनाचे अवर सचिव.

**URBAN DEVELOPMENT DEPARTMENT**

Mantralaya, Mumbai 400 032, dated 12th November 2018

**CORRIGENDUM**

No. TPB. 4317/629/C.R.118/2017(III)/UD-11.—Whereas, in exercise of the powers conferred by sub-section (1) of section 31 of the Maharashtra Regional and Town Planning Act, 1966 (hereinafter referred to as “ the Said Act ”), the State Government *vide* Notification No. TPB-4317/629/CR-118/2017/DP/UD-11, dated 8th May 2018 (hereinafter referred to as “ the said Notification ” ) has accorded sanction to the Draft Development Plan-2034 of Greater Mumbai with modifications shown in SCHEDULE-A appended to the said Notification excluding the substantial modifications as shown in SCHEDULE-B appended to the said Notification. And whereas, Government has issued Corrigendum of even number dated 22nd June, 2018 and thereafter issued a Corrigendum and Addendum of even number dated 29th June 2018 to the said Notification, which is published in *Government Gazette*, dated 30th June 2018 ;

And whereas, the Government of Maharashtra *vide* Notification dated 21st September 2018 has sanctioned EP-1 to EP-168 (Excluding certain EP and provisions which were kept in abeyance ) in the Development Control and Promotion Regulations-2034, which were excluded as substantial modifications ;

And whereas, it is noticed that there are some typographical errors and mistakes, in the Notification sanctioning the EP and also the Commissioner, Municipal Corporation of Greater Mumbai *vide* his letter dated 6th November 2018 has pointed out certain additional errors and mistakes and therefore to rectify such mistakes and also to clarify and co-relate certain provisions of sanctioned DCPR for its proper interpretation, Government feels it necessary to issue a Corrigendum for the same ;

Now, therefore, this Corrigendum is issued in respect of such errors and mistakes in the said Notification and in sanctioned provisions of the Development Control and Promotion Regulations-2034 as mentioned in Schedule appended hereto.

Copy of this Corrigendum is made available for the inspection of the public in the following offices during office hours on all working days for period of thirty days.

(1) Chief Engineer (Development Plan), Municipal Corporation of Greater Mumbai, Mahapalika Marg, Mumbai 400 001.

(2) Deputy Director of Town Planning, Greater Mumbai, ‘ E ’ Block, ENSA Hutment, Azad Maidan, Mahapalika Marg, Mumbai 400 001.

This Corrigendum shall also be available on the Government of Maharashtra website : [www.maharashtra.gov.in](http://www.maharashtra.gov.in) (Acts and Rules).

By order and in the name of the Governor of Maharashtra,

**PRADEEP GOHIL,**

Under Secretary to Government.

<b>INDEX</b>		
<b>DEVELOPMENT CONTROL AND PROMOTION REGULATIONS - 2034 FOR GREATER MUMBAI</b>		
<b>TABLE OF CONTENTS</b>		
<b>Regulation No</b>	<b>Contents</b>	<b>Page</b>
<b>PART- I ADMINISTRATION</b>		
1	<b>Short title, Extent and Commencement</b>	
	(I) Title	1
	(II) Jurisdiction	1
	(III) Protection	1
2	<b>Definitions of Terms and Expressions</b>	
	(I) General	1
	(II) Meaning as in the Acts, Rules, etc.	1
	(III) Terms and Expressions	1
	(IV) Definitions	1
3	<b>Applicability</b>	
	(1) Development and Construction	14
	(2) Part Construction	14
	(3) Change of Occupancy	14
	(4) Reconstruction	14
	(5) Exclusions	14
4	<b>Interpretation</b>	14
5	<b>Delegation of Powers</b>	15
6	<b>Discretionary Powers</b>	15
7	<b>Power to Delegate</b>	15
8	<b>Amendment/Modification to Appendices/Annexures</b>	15
<b>PART – II DEVELOPMENT PERMISSION</b>		
9	<b>Development Permission and Commencement Certificate</b>	
	(1) Necessity of obtaining Permission	17
	(2) Items of Operational Construction by some Authorities Excluded	17
	(3) Operational Constructions Excluded	17



	(4) Exclusion from requirement of permissions	18
	(5) Validity of Development Permission	19
	(6) Applicability to Partially Completed Works	19
10	<b>Procedure for obtaining Development Permission and Commencement Certificate</b>	
	(1) Notice of Intention	19
	(2) Copies of Plans and Statements	19
	(3) Information Accompanying Notice	21
	(4) Signing of Plans by Owners and Licensed Personnel/Architect	26
	(5) Processing of the Development Permission Application	26
	(6) Commencement of Work	26
	(7) Payments of the Development Charges/ Premium/ Development Cess/Off-Site infrastructure Charges/Fees	27
11.	<b>Procedure During Construction</b>	
	(1) Construction to be in Conformity with Regulations	27
	(2) Notice to Start of Work	27
	(3) Documents at Site	27
	(4) Checking of Plinth Columns up to Plinth Level	28
	(5) Deviation During Constructions	28
	(6) Completion Certificate	28
	(7) Occupancy Certificate	28
	(8) Part Occupancy Certificate/Part Building Completion Certificate	29
12	<b>Inspection</b>	
	(1) Inspection at Various Stages	29
	(2) Inspection by Fire Department	29
	(3) Unsafe Building	29
	(4) Unauthorized Development	29
	(5) Safety Precautions	29
	(6) Revocation of Permission	29

<b>PART-III LAND USES AND MANNER OF DEVELOPMENT</b>		
13	<b>Development Stipulations</b>	
	(1) General	31
	(2) Development of the existing amenity /Reservations/partly existing amenity / partly Reserved/Amenity Plot	31
	(3) Combination of Public Purposes/Uses in Reserved Sites	32
	(4) Reservation for Multiple Public Purposes	32
	(5) Area of Reserved Land	32
	(6) Shifting and/or Interchanging the Purpose of existing amenity/Reservations	33
	(7) Art and Culture	33
	(8) Temporary Vending Zone	33
	(9) Art and Culture, Temporary Vending Zone/Bajar-hat/Athawadi Bazar/Equal Street	33
14	<b>Amenities</b>	
	(A) Plots / lay-outs of the Land Admeasuring 4000 sq. m or more	33
	(B) Conversion of Industrial Zone to Residential or Commercial Zone for the uses permissible in Residential or Commercial Zone	34
15	<b>Inclusive Housing</b>	36
16	<b>Road/Road Widening</b>	39
17	(1) Development of Reserved Land for Public Purposes	39
	(2) Redevelopment of the existing Cinema/Theater	62
	(3) Development of reserved land falling under the provisions of Regulation No.33	63
<b>PART- IV REQUIREMENT OF SITE AND LAYOUT</b>		
18	<b>Requirement of Site</b>	70
19	<b>Public Street and Means of Access</b>	
	(1) Every site to have Access free of Encroachment	71
	(2) High Rise and Special Buildings	71
	(3) Other Buildings	72
	(4) Plots/Buildings abutting or fronting a Means of Access	72

20	<b>Alignment &amp; Intersection of Roads</b>	72
21	<b>Highway and Wider Roads</b>	72
22	<b>Access to land-locked plot</b>	73
23	<b>Internal means of access</b>	
	(1) Minimum road width vis-à-vis the area served	73
	(2) Access for residential, commercial and industrial zones	74
	(3) Larger width of Means of Access	74
	(4) Access in Partially Built Up Plots	74
24	<b>Minimum Width of Pathways</b>	74
25	<b>Means of Access to be Constructed &amp; Maintained</b>	
	(1) General	74
	(2) Private Street	74
	(3) How to measure the length of Access-ways	75
26	<b>Layout/Amalgamation/Subdivision of Plots</b>	
	(1) Circumstances warranting preparation of a layout/sub-division/amalgamation	75
	(2) Contents	75
	(3) Minimum plot areas	75
27	<b>Layout/Plot Recreational Ground/Open Spaces (LOS) in Layout/Plot</b>	
	(1) LOS in residential and commercial layout	76
	(2) LOS in industrial plots/layout of industrial plots	78
28	<b>Substation</b>	
	(A) Electrical Consumer Substation (CSS)/Distribution Substation (DSS)	79
	(B) Requirements of plot area for Distribution Substation/Receiving Substation/Extra High Voltage Receiving Station (DSS/RSS/EHVRS).	80
29	<b>Additional facilities in the Development in Large Holding/layout</b>	80

<b>PART-V FLOOR SPACE INDEX</b>		
30	<b>Floor Space Indices &amp; Floor space / Built -up area (BUA) Computation, Tenement Density and Protected Development</b>	
	(A) Floor Space Indices & Floor space BUA computation	83
	(B) Tenement Density	87
	(C) Protected Development	87
31	<b>Exempted from FSI/to be counted in FSI/ Fungible Compensatory Area</b>	
	(1) Exemption from FSI	88
	(2) Counted in FSI	91
	(3) Fungible Compensatory Area	91
32	<b>Transfer of Development Rights (TDR)</b>	
	1. Transferable Development Rights	93
	2. Cases eligible for Transferable Development Rights (TDR)	93
	3. Cases not eligible for Transferable Development Rights (TDR)	93
	4. Generation of the Transferable Development Rights (TDR)	94
	5. Utilisation of Transferable Development Rights (TDR)	97
	6. General stipulation	99
	7. Vesting of land	100
	8 Effect of this regulation:	100
	(B) Additional Regulations for the grant of TDR to the developers/Co-operative Housing Societies/NGOs in respect of slum rehabilitation scheme vide DCR 33(10) and DCR 33(11)	101
	(C) Additional regulations for the grant of TDR to owners / lessees of heritage buildings / heritage precincts and conditions for grant of such rights	101
<b>PART- VI ADDITIONAL FLOOR SPACE INDEX</b>		
33	(1) Additional FSI to Religious building	102
	(2) Building of Medical and Educational Institutions and other Institutional Buildings covered under	102

	Regulation 2(IV) 17(g)	
	(3) Buildings of Government/MCGM/Statutory bodies, Semi-Government and PSU Offices	104
	(3) (A) Development/Redevelopment for construction of staff quarters of Govt. or its statutory bodies (including CISF) or MCGM or its statutory bodies, on lands belonging to such Public Authorities.	104
	(3)(B) Development/Redevelopment for construction of staff quarters of Govt. or its statutory bodies (including CISF) or Municipal Corporation of Greater Mumbai or its statutory bodies on private lands.	105
	(4) Building of Residential Hotels on independent plot	106
	(5) Development/Redevelopment of Housing Schemes of Maharashtra Housing & Area Development Authority (MHADA)	107
	(6) Reconstruction of buildings destroyed by fire or which have collapsed or which have been demolished under lawful order	111
	(7) Reconstruction or redevelopment of cessed buildings in the Island City by Co-operative Housing Societies or of old buildings belonging to the Corporation	112
	(7)(A) Reconstruction or redevelopment of dilapidated/unsafe existing authorized tenant occupied building in Suburbs and extended Suburbs and existing authorized non-cessed tenant occupied buildings in Mumbai City.	116
	(7)(B) Additional FSI for Redevelopment of existing residential housing societies excluding buildings covered under regulation 33(7) and 33(7)(A)	118
	(8) Construction of Affordable Housing in Special Development Zone (SDZ )	119
	(9) Reconstruction or redevelopment of Cluster(s) of Buildings under Cluster Development Scheme(s)(CDS)	124
	(9) (A) Regulations for Dharavi Notified Area (DNA)	134
	(9)(B) Reconstruction or redevelopment of Cluster of BDD chawls at Naigaon, Worli, N.M. Joshi Marg and Shivdi under Urban Renewal Scheme(s).	137
	(10) Redevelopment for Rehabilitation of Slum Dwellers	143
	(10) (A) Slum Rehabilitation Scheme within Dharavi	158

	Notified Area (DNA) for Dharavi Redevelopment Project (DRP)	
	(11) Provisions relating to Permanent Transit Camp tenements for Slum Rehabilitation Scheme/Rental housing	173
	(12) Redevelopment of contravening structures included in the Final Plot of a Town Planning (TP) Scheme and Removal and re-accommodation of tolerated/protected structures falling in the alignment of road.	
	(A) Redevelopment of contravening structures included in the Final Plot of a TP Scheme.	174
	(B) Removal and re-accommodation of tolerated /protected structures falling in the alignment of road.	175
	(13) Buildings of Information Technology Establishments	176
	(13)(A) Buildings of Smart Fin Tech Centre	178
	(14) Shifting of cattle sheds outside Greater Mumbai	180
	(15) Development of land earmarked for the MHADA/Mill Workers Housing under Regulation No 35	180
	(16) Reconstruction/Redevelopment in Gaothan/Koliwada/Adivasipada area	180
	(17) Buildings of Biotechnology Establishments	181
	(18) Development of Multi Storey Public Parking Lots (PPL)	181
	(19) Additional FSI for Commercial user development in Central Business District (CBD) or plot situated in Residential or Commercial Zone or Independent plot converted in Residential or Commercial Zone from Industrial zone	183
	(20) Affordable Housing (AH) / Rehabilitation & Resettlement (R & R)	184
	(21) Development and Redevelopment of Municipal Market/ Public Amenities by MCGM/Government	
	(A) Development and Redevelopment of Municipal Market	186
	(B) Public Amenities by MCGM/Government	187

	(22) Regulation for Exhibition-cum-Convention Centers in MCGM Area	188
	(23) Transit Oriented Development (TOD)	190
<b>PART-VII LAND USE CLASSIFICATION AND USES PERMITTED</b>		
34	<b>Land Use Zoning &amp; Uses Permitted</b>	
	1. General	191
	2. Zoning Definitions	191
	3. Uses and ancillary uses permitted in the zones	192
	3.1 Conditions under which land-uses are permissible	192
	3.2 Conditions applicable for permitting various land-uses and occupancies	193
	3.3 Exceptions	209
	3.4 Special Development Zone (SDZ)	210
	3.7 Natural Areas (NA)	215
	3.8 Green Zone(GZ)	216
35	Development or Redevelopment of Lands of Cotton Textile Mills	216
<b>PART VIII GENERAL BUILDING REQUIREMENTS</b>		
36	<b>Occupancy Load</b>	222
37	<b>Requirements of parts of buildings</b>	
	(1) Plinth	222
	(2) Habitable Rooms/Rooms	223
	(3) Bathroom and water closets	226
	(4) Loft	226
	(5) Mezzanine Floor	227
	(6) Garage	227
	(7) Basement	227
	(8) Cabin	229
	(9) Office Room	229
	(10) (a) Letter Box Room	229
	(b) Letter Boxes	229
	(11) Electric Meter/Service Utility Room	229
	(12) Refuse Chute/Garbage Chute	229
	(13) Corridor	229
	(14) Door	229

	(15) Stairway	229
	(16) Ramps	231
	(17) Lifts	231
	(18) Porch	232
	(19) Canopy	232
	(20) Balcony	232
	(21) Roof	232
	(22) Common Terraces	233
	(23) Parapet	233
	(24) Boundary wall and main entrance	233
	(25) Bore well/Tube well/Open well	234
	(26) Overhead Tank	234
	(27) Septic Tanks	234
	(28) Yogalaya or Fitness Centre	234
	(29) Special Provisions for Institutional, Assembly, Business or Mercantile and Industrial Buildings	234
	(30) Parking Floor	235
	(31) Podium	235
	(32) Service Floor	235
	(33) Helipad	235
38	<b>Special Design Requirement For</b>	
	(I) Educational Building	235
	(II) Building for Medical use	236
	(III) Public Building	236
39	<b>Special Regulations for Differently abled persons</b>	
	1. Scope	236
	2. Site Development	237
	3. Building Requirements	239
	4. Design guidelines- Streetscapes for Public Street	243
	5. Guidelines and Provisions	243
40	<b>Lighting and Ventilation</b>	
	(1) Adequacy and manner of provision	244
	(2) Artificial Ventilation Shaft	244



	(3) Artificial Lighting & Mechanical Ventilation	244
41	<b>Open Spaces within Building Plots/ Layout</b>	
	(1) (a) Open spaces separate for each building or wing	245
	(b) Manner of computing front open space/setback where the street is to be widened	245
	(c) Measurement for Marginal Open Space	245
	(2) Side and rear open space in relation to the height of the building for light and ventilation	
	(i) Residential and Commercial Zones	245
	(ii) Industrial Zones	246
	(3) Provisions in marginal open spaces if the height of the building is restricted	247
	(4) Front Set-backs from the Street Line/Plot Boundary and set-backs from the zonal boundary in the different zones	248
	(5) Provisions in open spaces for plots in Reconstruction/Redevelopment Schemes under the Maharashtra Housing and Area Development Authority Act, 1976, Slum Rehabilitation Authority, and Redevelopment Scheme of municipal tenanted properties and in case of development under Regulation No. 33(5), 33(6), 33(7),33(7)(A), 33(7)(B), 33(9), 33(9)(A), 33(9)(B), 33(10), 33(10) (A), 33(11), 33(15) and 33(20) (A)	250
	(6) Open spaces for various types of buildings	250
	(7) Provisions regarding relaxation in open spaces in narrow plots	250
	(8) Interior open spaces (chowks)	253
	(9) Open spaces to be unencumbered	253
42	<b>Features permitted in open spaces</b>	
	(i) Permitted in the side or rear marginal open spaces	253
	(ii) Other features permitted in open space	253
43	<b>Heights of Buildings</b>	254
44	<b>Parking Spaces</b>	
	(1) General Space Requirement	255
	(2) Quantitative Requirements	255
	(3) Other vehicles	258

	(4) Two wheeled motor cycle	258
	(5) Transport Vehicles	258
	(6) Parking Spaces	258
	(7) Cinemas, Theatres and Assembly Halls	259
	(8) Common Parking Space	259
45	<b>Restrictions on Development in certain areas</b>	
	(A) Funnel of Vision	
	(a) Preserving the view from the Phiroz shah Mehta Garden	259
	(b). Preserving the eastern and southern view of the Backbay Area, Marine Drive	260
	(B) Height restrictions in the vicinity of aerodromes	260
	(C) Building sites abutting railway track boundary	261
	(D) Distance from electricity lines	261
	(E) Other restrictions in height	262
	(F) Restriction on Development of sites of existing Fuel Station	262
	(G) Structures not included in reckoning height	262
46	<b>Signs and Outdoor Display Structures</b>	262
<b>PART IX URBAN SAFETY REQUIREMENTS</b>		
47	<b>Fire Protection Requirements</b>	
	(1) General	264
	(2) Construction Materials	265
	(3) Exits	265
48	<b>Requirements of Exits</b>	
	(1) Corridors	267
	(2) Doorways	267
	(3) Revolving Doors	268
	(4) Internal Stairways	268
	(5) Additional Staircase	268
	(6) Fire Escape Balcony	269
	(7) Ramps	269
	(8) Refuge Area	269
	(9) Fire Escape Chutes/ Controlled Lowering Device for evacuation	269

49	<b>Structural Safety and Services</b>	
	(1) Structural Design	270
	(2) Structural Safety for Protection of Buildings against Natural Hazard	270
	(3) Quality of materials and workmanship	271
	(4) Tests	271
50	<b>Building services</b>	
	(1) Electrical installation	271
	(2) Lifts	271
<b>PART X SPECIAL PROVISIONS</b>		
51	<b>Parking Authority</b>	273
52	<b>Conservation of Heritage</b>	273
	1. Definitions	273
	2. Applicability	273
	3. Restriction on Development/Redevelopment/Repairs, etc.	273
	4. Preparation of list of Heritage Buildings and Heritage Precincts	274
	5. Grant of Transferable Development Rights in case of loss of Development Rights	274
	6. Maintaining Sky-Line	274
	7. Heritage Conservation Fund	274
	8. Development plan reservation	275
	9. Grading of the Listed Buildings/Sites & Listed Precincts	275
53	<b>Under Ground Public Utility/Conveniences/Amenity Provision</b>	279
54	<b>Uses Permissible Below Flyovers</b>	279
55	<b>Alignment of Metro/Mono/Elevated Corridors/Corridors of Mass and Rapid Transport System</b>	280
56	<b>Forest Land</b>	280
<b>PART – XI MISCELLANEOUS PROVISIONS</b>		
57	<b>Temporary Constructions</b>	281
58	<b>Common Antenna for Television Transmission</b>	281

	<b>Reception/Telecommunication/Digital Communication</b>	
59	<b>Special Purpose NOCs</b>	281
60	<b>Repairs to Existing Building</b>	282
60(A)	<b>Approvals of Building Permission on Fast Track based on Risk Based categorization</b>	282
<b>PART- XII ENVIRONMENTAL SUSTAINABILITY</b>		
61	<b>Public Sanitary Convenience (PSC) Blocks/Toilets</b>	286
62	<b>Rain Water Harvesting (RWH)</b>	286
63	<b>Special Provisions; for installation of Solar Water Heating (SWH) Systems</b>	288
64	<b>Waste (Grey) Water Recycling and Reuse</b>	289
65	<b>Sewage Treatment Plant (STP) &amp; Disposal</b>	290
66	<b>Solid Waste Segregation</b>	291
67	<b>Tree Plantation Provisions for Enhancing/Conserving/Preserving Biodiversity</b>	291
68	<b>Coastal Regulation Zone (CRZ)</b>	292
69	<b>Environment Impact Assessment (EIA)</b>	292
70	<b>Energy Efficient Buildings</b>	292
<b>APPENDICES AND ANNEXURES</b>		
<b>APPENDICES</b>		
	Appendix-I- Additional Fire Protection Requirements for High Rise and Special Building	293
	Appendix-II- Form of Notice and First Application for Development	306
	Appendix-III- List of Special Purpose NOC's	308
	Appendix-IV- Repairs to Existing Building	309
	Appendix-V- Advance Possession Receipt	311
	Appendix-VI- Final Possession Receipt from Owner to DP Department & DP Department to Estate Department	313
<b>ANNEXURES</b>		
	Annexure- 1 - Particulars of Development	316
	Annexure - 2 - Form of Supervision Acceptance	326
	Annexure- 3 - Plot Area Certificate	327
	Annexure - 4 - Owner's Plot Area Affidavit	328

	Annexure- 5- Supervision Memo of Structural Engineer	329
	Annexure - 6 - Supervision Memo of Licensed Plumber	330
	Annexure - 7 - Supervision Memo of Site Supervisor	331
	Annexure - 8 - Supervision Memo of Other Professional on Record	332
	Annexure - 9 - Form for Supervision	333
	Annexure - 10 - Details of the Qualification, Duties, Responsibilities and Registration Process	334
	Annexure - 11 - Form of Sanction of Development Permission, Building Permission and Commencement Certificate	341
	Annexure - 12 - Form of Refusal of Development Permission, Building Permission and Commencement Certificate	342
	Annexure - 13 - Form of Notice for Start of Work	343
	Annexure - 14 - Form of Intimation of Completion of Work up to Plinth Level	344
	Annexure - 15 - Form of Approval/Disapproval of Development Work up to Plinth Level	345
	Annexure - 16 - Form for Development Completion Certificate	346
	Annexure - 17 - Drainage Completion Certificate	347
	Annexure - 18 - Building Completion Certificate	348
	Annexure - 19 - Form of Acceptance of Completion Certificate	349
	Annexure - 20 - Form for Occupancy Certificate	350
	Annexure - 21 - Form of Indemnity for Part Occupancy Certificate	351
	Annexure - 22 - Form of Acceptance of Completion Certificate	352
	Annexure – 23 Sketches 1 to 7	353
	Annexure – 24 Appropriate Authority	357
	Annexure – 25 Abbreviation of criteria (classification) for heritage listing	363

## LIST OF TABLES

Sr. No.	Table No.	Description	Page No.
1	Table No - 1	Drawing Sheet Sizes	20
2	Table No - 2	Coloring of Plans	20
3	Table No - 3	Common Set of conditions for Development of Reservations and Authority/Persons who may Develop Reservations	41
4	Table No - 4	Reservations to be Developed for the Intended Purposes along with Permissible Uses and Ancillary Activities	42
5	Table No - 5	Reservations to be Developed for the Intended Purposes or as per Accommodation Reservation	45
6	Table No - 6	Road Width Required for High Rise and Special Buildings	71
7	Table No - 7	Width of Access for Residential and Commercial Zones	73
8	Table No - 8	Width of Access for Industrial Zones	74
9	Table No - 9	Width of Pathways	74
10	Table No - 10	Minimum Plot Areas for Various Uses	76
11	Table No - 11	Requirements of Plot Area for Consumers Substation (CSS)	79
12	Table No - 12	Floor Space Indices in Residential, Commercial & Industrial Zones	83
13	Table No – 12A	Instances in which TDR can be Availed	94
14	Table No - 13	Occupant Load	222
15	Table No - 14	Minimum Size and Width of Habitable Room/Rooms	223
16	Table No - 15	Height of Habitable Room/s	225
17	Table No - 16	Minimum Width of Stairways/Corridors for various Occupancies	230
18	Table No - 17	Provisions in Open Spaces for Plot in Residential and Commercial Zone	247
19	Table No - 18		
	Table No - A	Front Set Back from Street line/Plot Boundary	248
	Table No - B	Segregating Distance from Zonal/Plot Boundary	249
20	Table No - 19	Open Space Relaxation in Narrow Plots in Residential and Commercial Zone	251
21	Table No - 20	Open Space Relaxation in Narrow Plots in Industrial Zone	252
22	Table No - 21	Off Street Parking Spaces	256
23	Table No - 22	Width and No of Exits for Various Occupancies	266

<b>ABBREVIATIONS</b>		
<b>SR NO</b>	<b>ABBREVIATION</b>	<b>DESCRIPTION</b>
1	AH	Affordable/Social Housing
2	AS	Amenity Space
3	AR	Accommodation Reservation
4	ASR	Annual Schedule of Rates for FSI 1 (Stamp Duty Ready Reckoner Rate)
5	BARC	Bhabha Atomic Research Centre
6	BEST	Brihanmumbai Electric Supply and Transport Undertaking
7	BIFR	Board for Industrial and Financial Reconstruction
8	BDD	Bombay Development Division
9	BUA	Built Up Area
10	CC	Commencement Certificate
11	CBD	Central Business District
12	CDS	Cluster Development Scheme
13	CDP	Cluster Development Plan
14	CD	Cluster Development
15	CEO	Chief Executive Officer
16	CFO	Chief Fire Officer of MCGM
17	CRS	Cluster Renewal scheme
18	CRZ	Costal Regulation Zone
19	CS No.	Cadastral Survey Number
20	CSS	Consumer Substation
21	CTS No.	Cadastral Traverse Survey Number
22	CTSO	City Survey Officer
23	DCR	Development Control Regulation
24	DCPR	Development Control Promotion Regulation
25	DCPR 2034	Development Control & Promotion Regulation-2034

<b>ABBREVIATIONS</b>		
<b>SR NO</b>	<b>ABBREVIATION</b>	<b>DESCRIPTION</b>
26	DNA	Dharavi Notified Area
27	DP	Development Plan
28	DP-2034	Development Plan - 2034
29	DR	Development Rights
30	DRC	Development Rights Certificate
31	DRP	Dharavi Redevelopment Project
32	DRP(SRA)	Dharavi Redevelopment Project (Slum Rehabilitation Authority)
33	DSS	Distribution Substation
34	EC	Empowered Committee
35	EIA	Environment Impact Assessment
36	EHVRS	Extra High Voltage Receiving Station
37	EWS	Economically Weaker section
38	FP No	Final Plot No.
39	FSI	Floor Space Index
40	Gol	Government of India
41	GoM	Government of Maharashtra
42	Govt	Government
43	GZ	Green Zone
44	HIG	Higher Income Group
45	HPC	High Power Committee
46	HT	High Tension
47	IOD	Intimation of Disapproval
48	IH	Inclusive Housing
49	IOA	Intimation of Approval
50	IT/ITES	Information Technology/Information Technology Enabled



<b>ABBREVIATIONS</b>		
<b>SR NO</b>	<b>ABBREVIATION</b>	<b>DESCRIPTION</b>
		Services
51	LOS	Layout Recreational Ground/Open Space
52	LIG	Lower Income Group
53	LOI	Letter of Intent
54	LRT	Light Rail Transit
55	MbPT	Mumbai Port Trust
56	MBRRB	Mumbai Building Repair & Reconstruction Board
57	MCGM	Municipal Corporation of Greater Mumbai
58	MCZMA	Maharashtra Coastal Zone Management Authority
59	MHAD Act	Maharashtra Housing & Area Development Act
60	MHADA	Maharashtra Housing & Area Development Authority
61	MHCC	Mumbai Heritage Conservation Committee
62	MIDC	Maharashtra Industrial Development Corporation
63	MIG	Middle Income Group
64	MMC Act. 1888	Mumbai Municipal Corporation Act. 1888
65	MMRDA	Mumbai Metropolitan Regional Development Authority
66	MoEF	Ministry of Environment and Forest
67	MPCB	Maharashtra Pollution Control Board
68	MR & TP Act. 1966	Maharashtra Regional and Town Planning Act -1966
69	MRA	Metro Rail Administration
70	MTC	Multiplex Theatre Complex
71	MTDC	Maharashtra Tourism Development Corporation
72	MUIP	Mumbai Urban Infrastructure Project
73	MUTP	Mumbai Urban Transportation Project
74	NA	Natural Area

<b>ABBREVIATIONS</b>		
<b>SR NO</b>	<b>ABBREVIATION</b>	<b>DESCRIPTION</b>
75	NBC	National Building Code
76	NGO	Non-Government Organisation
77	NOC	No Objection Certificate
78	OC	Occupation Certificate
79	POZ	Port's Operational Zone
80	PWFDZ	Port's Water Front Development Zone
81	PAP	Project Affected Person
82	POS	Public Open Space
83	PPL	Public Parking Lot
84	PSC	Public Sanitary Convenience
85	PSU	Public Sector Undertaking
86	PTC	Permanent Transit Camp
87	RDDP 2034	Revised Draft Development Plan 2034
88	RRC	Renewal Rehab Component
89	RSC	Renewal Sale Component
90	RSS	Receiving Substation
91	SDZ	Special Development Zone
92	SDZ-I	Special Development Zone-I
93	SDZ-II	Special Development Zone-II
94	SLR	Superintendent of Land Record
95	Slum Act	Maharashtra Slum Areas(Improvement Clearance and Redevelopment)Act,1971
96	SPA	Special Planning Authority
97	SRA	Slum Rehabilitation Authority
98	SRD	Slum Redevelopment
99	SRDP-1991	Sanctioned Revised Development Plan-1991

<b>ABBREVIATIONS</b>		
<b>SR NO</b>	<b>ABBREVIATION</b>	<b>DESCRIPTION</b>
100	SRS	Slum Rehabilitation Scheme
101	STP	Sewerage Treatment Plant
102	TDA	Tourism Development Area
103	TDR	Transferable Development Rights
104	TDZ	Tourism Development Zone
105	TPS/TP Scheme	Town Planning Scheme
106	URC	Urban Renewal Cluster
107	URP	Urban Renewal Plan
108	URS	Urban Renewal Scheme
109	VPR	Volume to Plot Ratio
110	WC	Water Closet

## PART-I ADMINISTRATION

### 1. *Short title, extent and commencement*

- (I) **Title:** These Regulations shall be called the “Development Control and Promotion Regulations for Greater Mumbai,2034” (hereinafter called “these Regulations”).
- (II) **Jurisdiction:** These Regulations apply to building activity and development work in areas under the entire jurisdiction of the Municipal Corporation of Greater Mumbai (hereinafter called "the Corporation"). If there is a conflict between the requirements of these Regulations and those of any other rules or byelaws, these Regulations shall prevail.

Provided, however, that in respect of areas included in a finally sanctioned Town Planning Scheme, if there is a conflict between the requirements of these Regulations and the Town Planning Scheme Regulations, the provisions of these Regulations shall prevail.

Provided further that, these regulations shall not apply to the Manori-Gorai-Uttan Notified area.

- (III) **Protection:** No suit, prosecution or other legal proceedings shall lie against any person for anything which is in good faith done or intended to be done under the MR&TP Act or any rules or regulations made their under.

### 2. *Definitions of Terms and Expressions*

- (I) **General:** In these Regulations, unless the context otherwise requires, the terms and expressions shall have the meaning indicated against each of them.
- (II) **Meaning as in the Acts, Rules, etc.:** Terms and expressions not defined in these Regulations shall have the same meanings as in the MR&TP Act, 1966 or the Mumbai Municipal Corporation Act, 1888 (Mumbai Act No. III of 1888) and the rules or bye-laws framed there under, as the case may be, unless the context otherwise requires.
- (III) Terms and expressions neither defined in these Regulations nor defined in (I) and (II) above shall be interpreted with reference to the latest National Building Code in the relevant context.

#### (IV) *Definitions.*

- (1) “Access” means clear approach to a plot or a building.
- (2) "Accessory building" means a building separated from the main building on a plot, and put to one or more accessory/ancillary use.
- (3) "Accessory/Ancillary use" means use of the building, subordinate and customarily incidental to the principal use.
- (4) “Accommodation Reservation” means a plot of land reserved for public purpose, where land owner has an option of handing over the specified part of land along with developed amenity to MCGM, for the intended public purpose free of cost and free from any encumbrances and developing balance land with permissible basic FSI and Development Right (DR) potential of such balance land as permissible under these regulations.
- (5) "Act" means-
  - (i) The Maharashtra Regional and Town Planning Act, 1966 (Mah. Act No. XXXVII of 1966); or
  - (ii) The Mumbai Municipal Corporation Act, 1888 (Mumbai Act No. III of 1888)

- (6) "Addition and/or alteration" means change from one occupancy to another, or a structural change, such as addition to the area or height, or the removal of part of a building, or a change to the structure, such as the construction or cutting into or removal of any wall or part of a wall, partition, column, beam, joist, floor including a mezzanine floor or other support, or a change to or closing of any required means of ingress or egress, or change to fixtures or equipment, as provided in these Regulations.
- (7) "Advertising sign" means any surface or structure with characters, letter or illustrations applied thereto and displayed in any manner whatsoever out of doors for the purpose of advertising or giving information regarding or to attract the public to any place, person, public performance, article or merchandise, and which surface or structure is attached to, forms part of, or is connected with any building, or is fixed to a tree, or to the ground or to any pole, screen, fence or hoarding or displayed in space or in or over any water body included in the limits of Greater Mumbai i.e. Island City, Suburbs or extended Suburbs as defined in section 3 of the Mumbai Municipal Corporation Act, 1888, and area specified in Part II to IV of Schedule `A` to the Greater Mumbai Laws and Mumbai High Court (Declaration of Limits) Act,1945.
- However, advertising sign shall not include hoarding displaying details of the project as per IOD/IOA condition, at the site of the project.
- (8) "Air-conditioning" means the process of treating air to control simultaneously its temperature, humidity, cleanliness and distribution to meet the requirement of an enclosed space.
- (9) "Alcove" means a cooking place with direct access from the main room without a communicating door.
- (10) "Amenity Space" means a statutory space provided in any layout/plot to be used for any of the amenities/utilities specified in these regulations
- (10A) "Affordable Housing" means social housing in the nature of housing meant for economically weaker section, lower income group having carpet area of 27.88 sq. mt. (300 sq. ft) or of such area as may be decided by Govt. from time to time.
- (11) "Architect" means a person registered as an architect under the provisions of the Architects Act, 1972.
- (12) "Atrium" means the area comprised of entrance lobby or common entrance hall of the building or common area at any single floor level which serves as a Common Open Spaces for more than one floor.
- (13) "Automatic sprinkler system" means an arrangement of pumps, pipes and sprinklers, set to activate automatically on detection of fire inside the building and spray water under force to douse fire, simultaneously setting an audible alarm.
- (14) "Balcony" means a horizontal projection, including a parapet, hand-rail balustrade, to serve as a passage or sitting out place.
- (15) "Basement or cellar" means the lower storey of a building below, or partly below the ground level.
- (16) "Biotechnology Unit" means and includes Biotechnology units which are certified by the Development Commissioner (Industries) or any other officer authorized by him on his behalf.
- (17) "Building" means a structure, constructed with any materials whatsoever for any purpose, whether used for human habitation or not, and includes-

- (i) Foundation, plinth, walls, floors, roofs, chimneys, plumbing and building services, fixed platforms;
- (ii) Verandahs, balconies, cornices, projections;
- (iii) part of a building or anything affixed thereto;
- (iv) any wall enclosing or intended to enclose any land or space, signs and outdoor display structures;
- (v) tanks constructed for storage of chemicals or chemicals in liquid form;
- (vi) all types of buildings defined in (a) to (r) below; but tents, shamianas and tarpaulin shelters erected for temporary purposes for ceremonial occasions, with the permission of the Commissioner, shall not be considered to be "buildings".
  - (a) "Assembly building" means a public building or part thereof where groups of people congregate or gather for amusement, recreation, social, religious, patriotic, civil, travel and similar purposes. "Assembly buildings" include buildings of drama and cinema theatres, drive-in-theatres, assembly halls, city halls, town halls, auditoria, exhibition halls, museums, mangal karyalayas, skating rinks, gymnasia, stadia, restaurants, eating or boarding houses, places of worship, dance halls, multipurpose hall, clubs, gymkhanas, malls, road, air, sea or other public transportation stations, and recreation piers. Public for this purpose shall mean use open for public at large.
  - (b) "Business building" means any building or part thereof used for transaction of business and/or keeping of accounts and record there for; offices, banks, professional establishments, IT establishments, call centers, offices for private entrepreneur, provided their principal function is transaction of business and/or keeping of books and records.
  - (c) "Detached building" means a building with walls and roofs independent of any other building and with open spaces on all sides.
  - (d) "Educational building" means a building exclusively used for a school or college, recognized by the appropriate Board or University, or any other competent authority involving assembly for instruction, education or recreation incidental to educational use, and including a building for such other uses incidental thereto such as a library, multipurpose hall, auditorium or a research institution. It shall also include quarters for essential staff required to reside in the premises, and a building used as a hostel captive to an educational institution whether situated in its campus or not, Hostel for girls student.
  - (e) "Hazardous building" means a building or part thereof used for-
    - (i) storage, handling, manufacture or processing of radioactive substances or of highly combustible or explosive materials or products which are liable to burn with extreme rapidity and/or producing poisonous fumes or explosive emanations;
    - (ii) storage, handling, manufacture or processing which involves highly corrosive, toxic or noxious alkalis, acids, or other liquids, gases or chemicals producing flame, fumes and explosive mixtures or which result in division of matter into fine particles capable of spontaneous ignition.

- (f) "Industrial building" means a building or part thereof wherein products or material are fabricated, assembled or processed, such as assembly plants, laboratories, power plants, refineries, gas plants, mills, dairies and factories
- (g) "Institutional building" means a building constructed or used for education, health, research and such other activities, hostel for working women/persons/students, but not for lodging or for an auditorium or complex for cultural and allied activities or for an hospice, care of persons suffering from physical or mental illness, handicap, disease or infirmity care of orphans, abandoned women, children and infants, convalescents, destitute or aged persons and for penal or correctional detention with restricted liberty of the inmates ordinarily providing sleeping accommodation, and includes dharamshalas, hospitals, sanatoria, custodial and penal institutions such as jails, prisons, mental hospitals, houses of correction, detention and reformatories.
- (h) "Information Technology Building" means a building used for the purpose of business of developing either software or hardware or providing IT enabled services as defined in IT policy amended from time to time.
- (i) "Mercantile building" means a building or part thereof used as shops, stores or markets for display and sale of wholesale or retail goods or merchandise, including office, storage and service facilities incidental thereto located in the same building.
- (j) "Office building" (Premises), means a building or premises or part thereof whose sole or principal use is for an office or for office purposes. "Office purposes" includes the purpose of administration, handling money, telephone, telegraph and computer operation and such other activities; and including writing, book-keeping, sorting papers, typing, filing, duplicating, data processing, drawing of matter for publication and editorial preparation of matter for publication and such other activities.
- (k) "Public Building" means a building used or intended to be used either ordinarily or occasionally by the public such as;
- (a) offices of Central or State Government or any Public-Sector Undertaking or Statutory Authority or Local Authorities
- or (b) buildings such as;
- i. temple, mosque, church, chapel, or any place of public worship.
  - ii. public or private college, school, library, or places of educational facilities.
  - iii. cinema, public concert hall, drama theatre, auditorium, sports complex, sports facility, theatre for cultural activities.
  - iv. public hall, welfare centre, exhibition hall, Museum or any other place of assembly.
  - v. hospital, maternity home etc. or any other place of medical facility.
  - vi. market, shopping centre, departmental store or mall with or without multiplex or any other place of retail and wholesale merchandise.
  - vii. railway station, metro/mono rail station, bus station, airport or any other public transport terminal.
  - viii. public or private hospital

- (l) "Residential building" means a building in which sleeping accommodation is provided for normal residential purposes, with or without cooking or dining facilities, and includes one or more family dwellings, lodging or rooming houses, hostels, dormitories, apartment houses, flats, and private garages of such buildings.
- (m) "Semi-detached building" means a building detached on three sides.
- (n) "Special building" means-
- (i) a building solely used for the purpose of a drama or cinema theatre, a drive-in-theatre, an assembly hall or auditorium, an exhibition hall, theatre museum, a stadium, a "Mangal Karyalaya", exceeding built-up area of 1000 sq. m or where the built-up area of such a user exceeds 1000 sq. m in the case of mixed occupancies;
  - (ii) an industrial building;
  - (iii) a hazardous building;
  - (iv) a building of wholesale establishment;
  - (v) Educational, Institutional and residential hotel building or centrally air-conditioned building which exceeds
    - (a) 15m in height, or
    - (b) a total built-up area of 1000 sq. m.
- (o) "Storage building" means a building or part thereof used primarily for storage or shelter of goods, wares or merchandise, warehouse, cold storage, freight depot, transit shed, store house, public garage hangar, truck terminal, grain elevator and barn.
- (p) "Temporary Building/structure" means any building/structure of whatever size and of whatever material which the Commissioner has allowed to be built as a temporary measure in accordance with Regulation No 57.
- (q) "Unsafe building" means a building which-
- (i) is structurally unsafe,
  - (ii) is insanitary,
  - (iii) is not provided with adequate means of egress,
  - (iv) constitutes a fire hazard,
  - (v) is dangerous to human life,
  - (vi) in relation to its existing use, constitutes a hazard to safety or health or public welfare by reasons of inadequate maintenance, dilapidation or abandonment.
- (r) "Wholesale establishment" means an establishment wholly or partly engaged in wholesale trade and manufacturers wholesale outlets, including related storage facilities, warehouses and establishments engaged in truck transport, including truck transport booking agencies.
- (18) "Building line" means the line up to which the plinth of a building extends in any development.
- (19) "Built-up area" means the area covered by a building on all floors including cantilevered portion, if any, but excluding cladding and areas specifically exempted under these Regulations for the purpose of computation of FSI.



- (20) "Cabin" means a non-residential enclosure constructed of non-load bearing partitions.
- (21) "Canopy" means a cantilevered projection over any building entrance.
- (22) "Carpet area" would have the same meaning as defined in Real Estate (Regulation and Development) Act, 2016.
- (23) "Chimney" means a construction by means of which a flue is formed for the purpose of carrying products of combustion to the open air and includes a chimney stack and the flue pipe.
- (24) "Chajja" means a structural overhang provided over openings on external walls for protection from the weather.
- (25) "Chowk" means a fully or partially enclosed space permanently open to the sky within a building at any level; inner chowk being enclosed on all sides and an outer chowk having one unenclosed side.
- (26) "Chute" means a vertical system passing from floor to floor provided with ventilation and inlet openings for receiving refuse from successive floors with or without sprinklers for cleaning and ending at the ground floor on the top of the collecting chambers.
- (27) "Cluster" means any defined area with proper access comprising dwelling units, buildings, chawls, etc.
- (28) "Combustible material" means that material which when burnt adds heat to a fire when tested for combustibility in accordance with the IS: 3808-1966 Method of Test for combustibility of Building Materials, National Building Code.
- (29) "Commissioner" means Municipal Commissioner of Greater Mumbai or any other officer designated by him.
- (30) "Contiguous holding" means contiguous piece of land under one ownership irrespective of separate property register cards.
- (31) "Conversion" means the change of occupancy or premises to any occupancy or use requiring development permission.
- (32) "Convenience shopping," means shops, each with a carpet area not exceeding 30 sq. m except where otherwise indicated and comprising those dealing with day to day requirements, as distinguished from wholesale trade or shopping, provided on the ground and/or first floor of building with internal means of access. It includes-
- (i) Food grain or ration shops,
  - (ii) Pan shops.
  - (iii) Shops for collecting and distribution of clothes and other materials for cleaning and dyeing establishments.
  - (iv) Tailor or darner shops.
  - (v) Groceries, confectioneries, wine and general provision shops
  - (vi) Hair dressing saloons and beauty parlours.
  - (vii) Bicycles hire and repair shops.
  - (viii) Vegetable and fruits shops.
  - (ix) Milk and milk products shops.

- (x) Medical and dental practitioners' dispensaries or clinics, pathological or diagnostic clinics and pharmacies, each with a carpet area not exceeding 100sq. m.
- (xi) Florists.
- (xii) Shops dealing in ladies' ornaments such as bangles, etc.
- (xiii) Shops selling bakery products.
- (xiv) Newspaper magazines stalls and circulating libraries.
- (xv) Books and stationery shops or stores.
- (xvi) Cloth and garment shops.
- (xvii) Plumbers', electricians, radio, television and video equipment repair shops and video libraries.
- (xviii) Restaurants and eating houses of area not exceeding 150 sq. m
- (xix) Shoes and sports shops each with a carpet area not exceeding 100 sq. m.
- (xx) Coaching Classes with a carpet area not exceeding 100 sq. m.
- (xxi) Gymnasium not exceeding 150 sq. m.
- (xxii) Any other shop covered under the definition of convenience shopping, to whom license under the shops and establishment has been issued under the MMC Act.

With the special permission, the Commissioner may from time to time add to, alter or amend the above list.

- (33) "Corridor" means a common passage or circulation space including a common entrance hall.
- (34) "Courtyard" means a space permanently open to the sky within the site around a structure or surrounded by structure and may be paved/concreted.
- (35) "Curb Cut" means a small solid (usually concrete) ramp that slopes down from the top surface of a side walk or footpath to the surface of an adjoining street. It is designed for ease of access for pedestrians, bicyclists and differently abled people.
- (36) "Demonstrable Hardship" Demonstrable hardship means plot under development/redevelopment affected due to Nalla, Nallah/river buffer, road widening, height restriction due to statutory restriction as per these Regulations such as railway buffer, height restrictions in the vicinity of Airport, height restriction in the vicinity of defence establishments, and/or any other restrictions as per the provisions of these Regulations affecting the project, odd shape plot, rehabilitation of existing tenants/occupants on small size plot/s etc.
- (37) "Developer/Builder/Project Proponent" means the person who is legally empowered to carry out the development.
- (38) "Dharmashala" means a building used as a place of religious assembly, a rest house, a place in which charity is exercised with religious or social motives, or a place where in a certain section of people have a right of, or are granted, residence without payment or on nominal payment.
- (39) "Drain" means a system or a line of pipes, with their fittings and accessories such as manholes, inspection chambers, traps, and gullies, floor traps used for drainage of buildings or yards appurtenant to the buildings within the same curtilage. A drain includes an open channel for conveying surface water or a system for the removal of any liquid.

- (40) "Dwelling Unit/Tenement" means an independent housing unit with separate facilities for living, cooking and sanitation.
- (41) "Eating House" means any premises where any kind of food is prepared or supplied for consumption of public.
- (42) "Enclosed staircase" means a staircase separated by fire resistant walls and door from the rest of the building.
- (43) "Energy Efficient Building" means the building (having connected load 100 KW or greater and having conditioned area of 1000 sq. m or more) compliant with the provisions of ECBC code.
- (44) "Escalator" means a power driven, inclined, continuous stairway used for ascending or descending between floors or bridge over the road/railway line.
- (45) "Escape route" means any well ventilated corridor, staircase or other circulation space, or any combination of the same, by means of which a safe place in the open air at ground level can be reached.
- (46) "Existing building" means a building or structure existing authorisedly before the commencement of these Regulations.
- (47) "Existing use" means use of a building or a structure existing authorisedly before the commencement of these Regulations.
- (48) "Exit" means a passage channel or means of egress from any building, storey or floor area to a street or other open space of safety; horizontal, outside and vertical exits having meanings at (i), (ii) and (iii) respectively as under:
- (i) "Horizontal exit" means an exit which is a protected opening through or around a fire wall or a bridge connecting two or more buildings.
  - (ii) "Outside exit" means an exit from a building to a public way, to an open area leading to a public way or an enclosed fire resistant passage leading to a public way.
  - (iii) "Vertical exit" means an exit used for ascending or descending between two or more levels, including stairways, smoke-proof towers, ramps, escalators and fire escapes.
- (49) "External wall" means an outer wall of a building not being a partition wall even though adjoining a wall of another building and also means a wall abutting on an interior open space of any building.
- (50) "Fire and/or emergency alarm system" means an arrangement of call points or detectors, sounders and other equipment for the transmission and indication of alarm signals, activated automatically or manually in the case of fire or other emergency.
- (51) "Fire Booster pump" means a mechanical/electrical device installed at intermittent level to boost up the water pressure so as to achieve the required pressure of 3.2 kg/cm<sup>2</sup> at the top level of high rise building or at the nearest point.
- (52) "Fire lift" means a special lift designed for the use of fire service personnel in the event of fire or other emergency.
- (53) "Fire proof door" means a door or shutter fitted to a wall opening, made of fire resistant material to prevent the transmission and spread of heat and fire for a specified period.
- (54) "Fire Pump" means a machine, driven by external power for transmitting energy to fluids by coupling the pump to a suitable engine or motor, which may have varying outputs/capacity but shall be capable of having pressure of 3.2 kg/cm<sup>2</sup> at the topmost level of a high rise building.

- (55) "Fire resistance" means the duration of time which a fire resistant material i.e. material having a certain degree of fire resistance, fulfills its function of contributing to the fire safety of a building when subjected to prescribed conditions of heat and load or restraint. The fire resistance test of structures shall be done in accordance with IS: 3809-1966 Fire Resistance Test of Structure.
- (56) "Fire separation" means the distance in meters measured from any other building on the site or from another site, or from the opposite side of a street or other public space to the building.
- (57) "Fire service inlet" means a connection provided at the base of a building for pumping up water through in-built fire-fighting arrangements by fire service pumps in accordance with the recommendations of the Chief Fire Officer.
- (58) "Fire tower" means an enclosed staircase which can only be approached from the various floors through landings or lobbies separated from both the floor area and the staircase by fire-resisting doors and open to the outer air.
- (59) "Fitness centre/Yogalaya in a building" means and includes the built-up premises including toilet facilities provided in the building including gymnasium for the benefit of its inmates and for the purpose of fitness, physical exercises, yoga, reading and such other activities as may be permitted by the commissioner from time to time
- (60) "Floor" means the lower surface in a storey on which one normally walks in a building, and does not include a mezzanine floor. The floor at ground level with a direct access to a street or open space shall be called the ground floor; the floor above it shall be termed as floor 1, with the next higher floor being termed as floor 2, and so on upwards.
- (61) "Floor space index (FSI)" means the quotient of the ratio of the combined gross floor area of all floors, excepting areas specifically exempted under these Regulations, to the area of the plot, viz.:
- $$\text{Floor Space Index (FSI)} = \frac{\text{Total covered area on all floors}}{\text{Plot area}}$$
- (62) "Footing" means a foundation unit constructed in brick work, stone masonry or concrete under the base of a wall or column for the purpose of distributing the load over a large area.
- (63) "Foundation" means that part of the structure which is in direct contact with and transmitting loads to the ground.
- (64) "Front Open Space" means the space between the boundary line of a plot abutting the means of access/road/street and the building line. Plots facing two or more means of accesses/roads/streets shall be deemed to front on all such means of accesses/roads/streets.
- (65) "Fungible Compensatory Area" means any built-up area permitted over and above the admissible FSI by a special permission of the Commissioner in accordance with the Regulation No. 31(3).
- (66) "Gallery" means an intermediate floor or platform projecting from a wall of an auditorium or a hall, providing extra floor area, and/or additional seating accommodation. It also includes the structures provided for seating in stadia.
- (67) "Gaothan" means portion of the land shown as such in the Revenue Records.
- (68) "Garage" means a place within a project having a roof and walls on three sides for parking any vehicle, but does not include an unenclosed or uncovered parking space such as open parking areas.

- (69) "Garage-Public" means a building or portion thereof, designed other than as a garage, operated for gain, designed and/or used for repairing, servicing, hiring, selling or storing or parking motor-driven or other vehicles.
- (70) "Grey Water" means waste water from kitchen sink, bathrooms, tubs, showers, wash basins, washing machines, and dish washers excluding the waste water from water closet (W.C.).
- (71) "Habitable room" means a room occupied or designed for occupancy for human habitation and uses incidental thereto, including a kitchen if used as a living room, but excluding a bath-room water closet compartment, laundry, serving and storing pantry, corridor, cellar, attic, and spaces not frequently used.
- (72) "Hazardous material" means-
- i) radioactive substances;
  - ii) material which is highly combustible or explosive and/or which may produce poisonous fumes or explosive emanations or storage, handling, processing or manufacturing of which may involve highly corrosive, toxic or noxious alkalis or acids or other liquids;
  - iii) other liquids or chemicals producing flame, explosive, poisonous, irritant or corrosive gases or which may produce explosive mixtures of dust or fine particles capable of spontaneous ignition.
- (73) "Height of a building" means the vertical distance measured, in the case of flat roofs, from the average level of the ground around and contiguous to the building to the topmost terrace level and, in the case of pitched roofs, upto the point where the external surface of the outer wall intersects the finished surface of the sloping roof, and, in the case of gables facing the road, the mid-point between the eaves level and the ridge.
- (74) "Height of a room" means the vertical distance measured, from the finished floor surface to the finished ceiling/soffit of slab. The height of a room with a pitched roof means the average height between the finished floor surface and the bottom of the eaves and the bottom of the ridge.
- (75) "High Rise Building" means a building having height more than 32m above the average surrounding ground level.
- (76) "Home occupation" means customary services provided to the general public other than that of eating or a drinking place, by a member of the family residing on the premises without employing hired labour, and for which there is no display to indicate from the exterior of the building that it is being utilised in whole or in part for any purpose other than a residential or dwelling use, and in connection with which no article or service is sold or exhibited for sale except that which is produced therein, which shall be non-hazardous and not affecting the safety of the inhabitants of the building and the neighborhood, and provided that no mechanical equipment is used except that as is customarily used for purely domestic or household purposes and/or employing licensable goods. If motive power is used, the total electricity load should not exceed 0.75 KW. "Home Occupation" may also include such similar occupations as may be specified by the Commissioner and subject to such terms and conditions as may be prescribed.
- (77) Information Technology Establishment means an establishment which is in the business of developing either software or hardware or providing IT Enabled services.
- (78) "Ledge" or "Tand" means a shelf- like projection supported in any manner, except by vertical supports, within a room itself but without a projection of more than half a meter.

- (79) "Licensed Surveyor/Engineer/Structural Engineer/Supervisor" means a qualified surveyor, engineer, structural engineer or supervisor, licensed by the Commissioner.
- (80) "Lift or Elevator" means an appliance designed to transport persons and materials between two or more levels in a vertical or substantially vertical direction by means of guided car or platform etc.
- (81) "Loft" means a structure providing intermediate space in between two floors with maximum height of 1.50 m, without having permanent access.
- (82) "Mall" means a large enclosed area comprising shopping, entertainment, eating facilities and facilities incidental thereto.
- (83) "Marginal Open Space/Distance" means the minimum distance measured between the front, rear and sides of the building line and the respective plot boundaries
- (84) "Multiplex/Multiplex Theatre Complex (MTC)" means a place of public entertainment for the purpose of exhibition of motion picture with multiple screens and or dramas and other social or cultural programs as described in Bombay Entertainment Duty Act 1923.
- (85) "Noise barrier" means an exterior structure/part of structure designed to protect inhabitants of sensitive land use areas from noise pollution.
- (86) "Non-combustible" means not liable to burn or add heat to a fire when tested for combustibility in accordance with the IS-3808-1966 Method of Test for Combustibility of Building Materials.
- (87) "Non-Conforming User" means any lawful use/building existed on the site but which does not conform to the zoning shown in the Development Plan.
- (88) "Occupancy" or "Use" means the principal occupancy or use for which a building or a part of it is used or intended to be used, including contingent subsidiary occupancies; mixed occupancy buildings being those in which more than one occupancy are present in-different portions of the buildings.
- (89) "Owner" means a person who receives rent for the use of the land or building or would be entitled to do so if it were let, and includes:
- (i) an authorised agent or trustee who receives such rent on behalf of the owner;
  - (ii) a receiver, executor or administrator, or a manager appointed by any court of competent jurisdiction to have the charge of or to exercise the rights of the owner;
  - (iii) an agent or trustee who receives the rent of or is entrusted with or is concerned with any building devoted to religious or charitable purposes; and
  - (iv) a mortgagee in possession.
- (90) "Parapet" means a low wall or railing built along the edge of the roof or a floor.
- (91) "Parking space," means an enclosed or unenclosed, covered or open area or area provided by mechanical means sufficient in size to park vehicles. Parking spaces shall be served by a driveway connecting them with a street or alley and permitting ingress or egress of vehicles.
- (92) "Partition" means an interior non-load bearing barrier, one storey or part storey in height.
- (93) "Permanent open air space" means air space permanently open;
- (i) if it is a street,

- (ii) if its freedom from encroachment is protected by any law or contract ensuring that the ground below it is either a street or is permanently and irrevocably appropriated as an open space.

In Determining the open-air space required for construction of a building, any space occupied by an existing structure may, on its planned demolition to become a permanently open air space, be treated as if it were already such a place.

- (94) "Permission" means a valid permission or authorisation in writing by the competent authority to carry out development or a work regulated by the Regulations.
- (95) "Plinth" means the portion of a structure between the surface of the surrounding ground and surface of the floor immediately above the ground or basement or any storey level.
- (96) "Plinth area" means the built-up covered area measured at the plinth level.
- (97) "Porch" means a covered surface supported on pillars or otherwise for the purpose of a pedestrian or vehicular approach to a building.
- (98) "Podium" means one or more floors of a building extending beyond building line/s used for parking, providing other services and incidental purposes as prescribed under these Regulations.
- (99) "Professionals on Record" means the persons educationally, technically and experientially qualified to perform a designated skilled job and who are appointed by the Owners/Developers and are responsible for the work carried out by his/her subordinates or team, such as Architects, Town Planner, Licensed Surveyors, Engineers, Structural Engineers, Fire Protection Consultants, etc. registered with the Competent Authority wherever applicable and under taking the responsibility for the particular work as prescribed by the Appropriate Authority in these Regulations.
- (100) "Refuge Area" means an area within the building for a temporary use during egress. It generally serves as staging area which is protected from the effect of fire and smoke.
- (101) "Retention activity" means an activity or use which is allowed to continue, notwithstanding its non-conforming nature in relation to the use permitted in the adjoining or surrounding area.
- (102) "Road/Street" means any highway, street, lane, pathway, alley, stairway, passageway, carriageway, footway, square, place or bridge, tunnel, underpass, elevated road whether a thoroughfare or not, over which the public have a right of passage or access or have passed and had access uninterruptedly for a specified period, whether existing or proposed in any scheme, and includes all bunds channels, ditches, storm-water drains, culverts, sidewalks, traffic islands, road-side trees, hedges, retaining walls, fences, barriers and railings within the street lines.
- (103) "Road/Street level or grade" means the officially established elevation or grade of the centre line of the Street upon which a plot fronts, and if there is no officially established grade, the existing grade of the street at its mid-point.
- (104) "Road/Street line" means the line defining the side limits of a road/street.
- (105) "Road width" or "Width of road/street" means the whole extent of space within the boundaries of a road when applied to a new road/street, as laid down in the city survey or development plan or prescribed road lines by any act or law and measured at right angles to the course or intended course of direction of such road.
- (106) "Row housing" means a row of houses with only front, rear and interior open spaces.

- (107) "Sanctioned or Approved Plan" means the set of plans in connection with a development which are duly approved and sanctioned by the Planning Authority.
- (108) "Service road" means a road/lane provided at the front, rear or side of a plot for service purposes.
- (109) "Site/Plot" means a parcel or piece of land enclosed by definite boundaries.
- (110) "Site, Corner" means a site at the junction of land fronting on two or more roads or streets.
- (111) "Site, Depth of" means the mean horizontal distance between the front and rear site boundaries.
- (112) "Site with double frontage" means a site having a frontage on two streets other than a corner plot.
- (113) "Site, Interior or Tandem" means a site access to which is by a passage from a street whether such passage forms part of the site or not.
- (114) "Smoke-stop door" means a door for preventing or checking the spread of smoke from one area to another.
- (115) "Solar Energy System" means a device to heat the water or generate power using solar energy.
- (116) "Stair-cover/Stair case Room" means a structure with a covering roof over a staircase and its landing built to enclose only the stairs for the purpose of providing protection from the weather and not used for human habitation.
- (117) "Stilt" means a space within framework of columns, beams and slabs without enclosure of walls over which the building rests. It is used for parking purposes/other services as provided under these Regulations.
- (118) "Storey" means the portion of a building included between the surface of any floor and the surface of the floor next above it, or if there be no floor above it, then the space between any floor and the ceiling next above it.
- (119) "Sub-station" means a station for transforming or converting electricity for the transmission or distribution thereof and includes transformers, converters, switchgears, capacitors, synchronous condensers, structures, cable and other appurtenant equipment and any buildings used for that purpose and the site thereof.
- (120) "Tenement" means an independent dwelling unit with a kitchen or a cooking alcove.
- (121) "Theatre" means a place of public entertainment for the purpose of exhibition of motion picture and or dramas and other social or cultural programs.
- (122) "Tower-like structure" means a structure in which the height of the tower-like portion is at least twice that of the broader base.
- (123) "Travel distance" means the distance from the entrance/exit of the remotest Apartment/office/unit/Premises on a floor of a building to a place of safety be it vertical exit or a horizontally exit or an outside exit measured along the line of travel.
- (124) "Volume to plot ratio (V.P.R.)" means the ratio expressed in meters of the volume of a building measured in cubic meters to the areas of the plot measured in square meters.
- (125) "Water closet (W.C.)" means a privy with an arrangement for flushing the pan with water, but does not include a bathroom.
- (126) "Water course" means a natural channel or an artificial channel formed by training or diversion of a natural channel meant for carrying storm and waste water.



- (127) "Water course, Major" means a water course which carries storm water discharging from a contributing area of not less than 160 hectares, the decision of the Commissioner on the extent of the contributing area being final. A minor water course is one which is not a major one.
- (128) "Window" means an opening other than a door, to the outside of a building which provides all or part of the required natural light, ventilation or both to an interior space.
- (129) "Wing of a building" means part of a building with independent access, staircase & lift connected to other parts with common basement/stilt/ podium/terrace/common wall/connecting passages.

### 3. **Applicability**

- (1) **Development and construction:** Except as hereinafter otherwise provided, these Regulations shall apply to all development, redevelopment, erection and/or re-erection of a building, change of user etc. as well as to the design, construction or reconstruction of, and additions and alterations to a building.
- (2) **Part construction:** Where the whole or part of building is demolished or altered or reconstructed/removed, except where otherwise specifically stipulated, these Regulations shall apply only to the extent of the work involved.
- (3) **Change of occupancy:** Where the occupancy of a building is changed, except where otherwise specifically stipulated, these Regulations apply to all parts of the building affected by the change.
- (4) **Reconstruction:** The reconstruction in whole or part of a building which has ceased to exist due to fire, natural collapse, demolition having been declared unsafe or which is likely to be demolished by or under an order of the Corporation or the Bombay Housing and Area Development Board and for which the necessary certificate has been given by either the said Corporation or the Board shall be allowed.
- (5) **Exclusions:** Nothing in these Regulations shall require the removal, alteration or abandonment or prevent the continuance of the lawfully established use or occupancy of an existing building or its use unless, in the opinion of the Commissioner, such a building is unsafe or constitutes a hazard to the safety of adjacent property.

### 4. **Interpretation**

- (1) In these Regulations, the use of the present tense includes the future tense, the masculine gender includes the feminine and neuter genders, the singular number includes the plural number and plural number includes singular number. The word "person" includes a corporation as well as an individual; "writing" includes printing, typing, e-communication and "signature" includes e-signature, digital signature and thumb impression of a person unable to sign, provided that his name is written below such impression.
- (2) **Sizes and Dimensions:** Wherever sizes and dimensions of rooms and spaces within buildings are specified, they mean the clear dimensions, unless otherwise specified in these Regulations.
- (3) If any question or dispute arises with regard to interpretation of any of these Regulations the matter shall be referred to the State Government which, after considering the matter and, if necessary, after giving hearing to the parties, shall give a decision on the interpretation of the provisions of these Regulations. The decision of the Government on the interpretation of these Regulations shall be final and binding on the concerned party or parties.
- (4) In the case of provisions of other Acts/Rules/Regulations which are incorporated in these Regulations wherever applicable, the amendments made subsequently in parent Acts/Rules/Regulations, will automatically be applicable to these Regulations.
- (5) If there is a conflict in interpretation of any clause between English & Marathi versions of these Regulations, then the interpretation of English version shall prevail.

- (6) Govt. may amend the rate of premium mentioned in various Regulation of this DCPR-2034 from time to time by official Notification

#### **5. Delegation of powers**

Except where the Commissioner's special permission is expressly stipulated, the powers or functions vested in him by these Regulations may be delegated to any municipal official under his control, subject to his revision if necessary and to such conditions and limitations, if any, as he may prescribe. In each of the said Regulations, the word "Commissioner" shall, to the extent to which any municipal official is so empowered, be deemed to include such official.

#### **6. Discretionary powers**

(a) In conformity with the intent and spirit of these Regulations, the Municipal Commissioner may: -

(i) modify the limit of a zone where the boundary line of the zone divides a plot, village boundary, CS/CTS No. as per records of revenue by a special permission; and

(ii) authorize the erection of a building or the use of premises for a public service undertaking, Government, Semi-Government, Local Bodies for public utility purposes only, where he finds such an authorization to be reasonably necessary for public convenience and welfare, even if it is not permitted in any land use classification/zone by a special permission.

(iii) decide on matters where it is alleged that there is an error in any order, requirement, decision, determination made by any municipal officer under delegation of powers in application of the Regulations or in interpretation of these Regulations:

(iv) interpret the provisions of these Regulations where a street layout actually on the ground varies from the street layout shown on the development plan;

(b) In specific cases where a clearly demonstrable hardship is caused, the Commissioner may for reasons to be recorded in writing, by special permission permit any of the dimensions prescribed by these Regulations to be modified, except those relating to floor space indices unless otherwise permitted under these Regulations, provided that the relaxation will not affect the health, safety, fire safety, structural safety and public safety of the inhabitants of the building and the neighborhood.

(c) Any discrepancy/error in regard to location/size/use of designations and any relocation of reservation approved by the competent authority along with its development at its relocated position if not reflected in this Development Plan and that are brought to the notice of MCGM may, after due enquiry, be corrected with the special permission of the Commissioner.

Provided that the Municipal Commissioner shall issue a well-reasoned order of such correction, along with the authenticated part plan showing the location under his seal and signature, with a copy to the Govt., Director of Town planning, Maharashtra State, Deputy Director of Town Planning, Greater Mumbai for information and record purpose. The proposal of Development Plan shall stand modified to that effect.

#### **7. Power to delegate**

The State Government may, by notification in the Official Gazette delegate by a general or special order any of its powers under these Regulations, subject to such conditions as it may consider appropriate, to any officer of the State Government not below the rank of Deputy Secretary, except those relating to any matter which is required to be dealt with under the special permission of the Commissioner.

**8. Amendment/modification to Appendices/Annexures**

Except where the same are prescribed in Mumbai Municipal Corporation Act, 1888, or Maharashtra Regional and Town Planning Act, 1966 or the rules or bye-laws framed there under, the Commissioner may, from time to time, add to, alter or amend Appendices and Annexures appended to these Regulations.

**PART II DEVELOPMENT PERMISSION****9. Development permission and commencement certificate**

- (1) **Necessity of obtaining permission:** No person shall erect or re-erect a building or alter any building or carry out any development or redevelopment, on any plot of land or cause the same to be done without obtaining development permission and a commencement certificate from the Commissioner.
- (2) **Items of operational construction by some authorities excluded:** Construction for operational purposes, including maintenance of operational structures, emergency/essential staff quarters by the following organizations, authorities or departments, whether temporary or permanent, may be exempted from the purview of these Regulations, except those relating to floor space index and fire precautions:
- i. Railways;
  - ii. National Highways;
  - iii. National Waterways;
  - iv. Major ports;
  - v. Aerodromes and Airports;
  - vi. Posts and Telegraphs, Telephones, Television, Wireless, Broadcasting authorities and the authorities of other similar forms of communication;
  - vii. Regional grids, towers, gantries, switchyards, control room, Relay room for transmission, distribution, etc. of electricity;
  - viii. Defence Authorities;
  - ix. Any other essential public services as may be notified by the State Government.
  - x. Metrorail Administration (MRA)/Project Implementing Agency designated by the Government for the Metro Rail and Monorail/Light Rail Transit (LRT) Projects.
  - xi. Facilities & services of Municipal Corporation of Greater Mumbai such as Roads, Water Supply, Sewerage, Storm Water Disposal and any other essential public services as decided by the Municipal Commissioner.

All such constructions shall, however, conform to the prescribed requirement for the provision of essential services, water supply connections, drains, etc. to the satisfaction of the Commissioner.

- (3) **Operational constructions excluded:** The following constructions for operational purposes of the organizations, authorities or departments listed above are exempted from the purview of these Regulations except those relating to floor space index and fire precautions:
- (i) Repairs and renovation of existing installations of buildings used for operational purposes alone and which do not involve addition to or increase of built-up areas.
  - (ii) In the case of the Railways/Metro Rail and Monorail/LRT Authority:
    - a) repairs and renovation of existing railway tracks, including culverts, over bridges, under-passes or bridges, tunnels and side drains;

- b) platforms, goods sheds and offices, parcel offices, sub-stations, foot-over bridges turntables, lifting towers, gantries, signal and signal boxes or control cabins in hump yards;
- c) running (loco) sheds, carriage and wagon depots, carriage washing places, overhead or ground level water tanks, pipelines and pumping station; running rooms, train examiners' offices, yard depots, permanent way inspectors' and signal inspectors' stores in railway yards and all overhead electric equipment for traction.
- d) Operational Control Centre, Playback Training Room, Stabling Yards, Maintenance Workshop, Auto wash plant, Auxiliary Rail Vehicle Building, Under Floor Wheel Lathe & Blow Down Plant, Cooling Tower, Generator Area, Auxiliary Substation, Traction Substation, Transformer Area, Water Treatment Plant, Wastewater Treatment Plant, Depot, Control Centre, Sump Area, Parking Check post, Loading & Unloading Areas, Fouling Points, DG Set Rooms, Metro& Mono Stations(Underground& Elevated), Viaduct & Tunnel, Ventilation Shaft, Entry/Exit Block, Passages, Underground Passages to Station Box, Lift/ Staircases, Escalators, Air Handling Unit.

(iii) Store sheds, when ancillary to operational requirement only;

Provided that, for the construction of new railway lines or tracks the approval of the State Government shall be necessary. For construction of new buildings, goods stores, sheds or platforms, parcel offices and workshops or for purposes of major remodeling, the approval of the Commissioner shall be necessary.

Further provided that, the following constructions by the organizations, authorities or departments listed in sub-Regulation (2) herein shall not be deemed to be operational for the purpose of exemption under the said Regulations, namely: -

- (i) Residential buildings, commercial buildings, office buildings and industrial buildings (other than gate lodges, essential operational staff quarters and the like), roads and drains, hospitals, clubs, institutes and schools in residential, commercial or industrial areas of the colonies of such organizations, authorities or departments.
  - (ii) Construction, installation or any extension of any building in the case of any service other than those mentioned in this Regulation.
- (4) **Exclusion from requirement of permissions:** -No permission shall be required to carry out tenable repair works to existing buildings, which have been constructed with the approval from the competent authority or are in existence since prior to 17.04.1964 in respect of residential structures and 01.04.1962 in respect of non-residential structures, as described under section 342 of MMC Act 1888.

No permission shall be required for, provision of safety grills to window/ventilator. No permission shall be required for repairs to the Existing Consumer/Distribution/Receiving Substation of the BEST/Electric Supply Company. However, no addition/alteration shall be permissible without the approval of the Commissioner.

No permission shall be required for installation of Solar Panels having base of solar panel at height 1.8m from terrace, ensuring structural stability from the Licensed Structural Engineer.

No permission shall be required for internal light weight partitions/cabins up to height of 2.2 in the Residential/commercial building/establishment subject to structural stability from the Licensed Structural Engineer. Further internal light weight partitions/cabins up to floor height will be

permissible if it satisfies the criteria for light & ventilation and other requirements of these regulations certified by the Architect/Licensed Surveyor/Town Planner, fire safety requirements certified by fire safety consultant and subject to structural stability from the Licensed Structural Engineer.

- (5) **Validity of development permission:** The development permission granted in the past shall be governed by the provision of section 48 of the MR&TP Act, 1966.

Where development has commenced as per the development permission/IOD issued prior to publication of these Regulations, the CC shall be issued or revalidated till completion of development in accordance with the plans approved, in respect of the said IOD including minor amendments thereof as per the then Regulations.

- (6) **Applicability to partially completed works:**

- (a) For works where IOD/IOA has been issued or for ongoing partially completed works, started with due permission before these Regulations have come into force, the developer/owner may continue to complete the said works in accordance with the conditions under which permission stood granted. However, the period of the development permission granted shall not exceed that specified in section 48 of the MR&TP Act, 1966 or at the option of owner/developer, the proposal can be converted as per DCPR-2034 in toto.
- (b) In case of such plots or layouts that started with due permission before DCPR 2034 have come into force, and if the owner /developer, at his option, thereafter seeks further development of plot/layout/buildings as per DCPR 2034, then the provision of DCPR 2034 shall apply to the balance development. The development potential of such entire plot shall be computed as per DCPR 2034 from which the sanctioned FSI of buildings/part of buildings which are proposed to be retained as per approved plan, as per then Regulations, shall be deducted to arrive at the balance development potential of such plot or layout.

Note- For smooth implementation and removal of difficulties in transitional proposals, the Municipal Commissioner may formulate a policy.

#### 10. **Procedure for obtaining Development Permission and Commencement Certificate.**

- (1) **Notice of intention:** Every person who intends to carry out development or redevelopment, erect or re-erect a building or alter any building or part of a building shall give notice in writing to the Commissioner of his said intention in the form in Appendix II and such notice shall be accompanied by plans and statements with sufficient number of copies, as required by sub-Regulations (2) and (3) hereunder. The plans may be ordinary prints. One set of such plans shall be retained in the office of the Commissioner for record after the issue of permission or refusal. The Commissioner may set a policy by which all submissions, approvals and communication in regard to development permission shall be on line.

#### (2) **Copies of plans and statements:**

- (i) **Notice:** The notice referred to in sub Regulations (2) of Regulation No 11 shall be accompanied by as many copies of plans as the Commissioner may prescribe after taking into consideration the clearances required from other agencies.
- (ii) **Size:** The size of drawing sheets shall be any of those specified in Table 1 hereunder.

TABLE 1

Drawing sheet sizes

Serial No.1 (1)	Designation (2)	Trimmed Size (mm) (3)
1	A0	841-1189
2	A1	594-841
3	A2	420-594
4	A3	297-420
5	A4	210-297

If necessary, submission of plans on sheets bigger than A0 size is also permissible.

(iii) **Colouring notations for plans:** The plans shall be coloured as specified in Table 2 hereunder. The prints of the plans shall be on one side of the paper only.

TABLE 2

Colouring of Plans

Sr. No. (1)	Item (2)	Site Plan (3)	Building Plan (4)
1.	Plot Lines	----- Thick Black-----	
2.	Existing Street	Green	-----
3.	Future Street	Green Dotted	-----
4.	Permissible Building	Thick Dotted Black	-----
5.	Open Spaces	----- No Color-----	
6.	Work proposed to be demolished	----- Yellow hatched -----	
7.	Proposed work	----- Red filled in -----	
8.	Drainage and Sewerage work	----- Red Dotted -----	
9.	Water Supply Work	----- Blue Dotted thin -----	
10.	Deviations	----- Red Hatched -----	
11.	Recreation Ground	----- Green Wash -----	
12.	Roads and Set backs	----- Burnt sienna -----	

13.	Reservation	----- Appropriate colour code ----- -----
-----	-------------	--

Note. - (i) Site plans/building plans may be submitted in the form of Ammonia prints/Blue prints or White plans.

(ii) Existing work to be hatched black; for land development/sub-division/lay-out, suitable colouring notations shall be used duly indexed.

**(3) Information accompanying notice:**

- (i) Key plan, site plan, etc. to accompany notice. The notice shall be accompanied by the key plan (location plan), a site plan, sub-division/lay out plan, building plan, specifications and certificate of supervision, ownership, title, etc. as prescribed in clauses (ii) to (xiii) below.
- (ii) Ownership title and area. -Every application for development permission and commencement certificate shall be accompanied by a copy of certificate of the title of the land under development, obtained from an Advocate who has experience in this field of a minimum 10 years. In case the application for Development Permission or Commencement Certificate is submitted by the holder of power of attorney, then a certificate from an Advocate certifying that the power of attorney in favour of the applicant is valid and subsisting shall be accompanied. In addition to above the certificate, the following documents for verifying the area of the land shall be submitted, accompanied by an Indemnity Bond indemnifying MCGM and its officer against legal consequences on account of ownership disputes, if any.
  - a) Property register card of a date not earlier than twelve months prior to the date of submission of the development proposal;
  - b) Statement of area of the holding by triangulation method from a licensed surveyor or architect with an affidavit from the owner certifying the boundaries of the plot and area in the form prescribed by the Commissioner;
  - c) Affidavit from the owner regarding non-holding of contiguous land to the site under development.
  - d) CTS/CS plan in original. If there is any sub-division due to ownership, documents related to sub-division.
  - e) In case of property owned by more than one owner, certificate from an advocate who has experience in this field of a minimum 10 years, certifying that all co-owners have consented for development.
  - f) In case of tenanted properties to be redeveloped under Reg. No. 33(7), certificate from MHADA/Land owning public authority, certifying that at least 51% of the certified and eligible tenants of the property/each building have granted irrevocable consent for redevelopment in favour of owner/developer & in case of tenanted properties to be redeveloped under Reg. No. 33(9) certificate from MHADA/Land owning public authority, certifying that at least 51% of the certified and eligible tenants of the property/each building or overall 60% eligible tenants have granted irrevocable consent for redevelopment in favour of owner/developer.
  - g) In case of properties owned by co-operative societies, certificate from an Advocate who has experience, in this field, of a minimum 10 years, confirming that the registered



society/societies on the plot of redevelopment have entered into registered agreement with the developer wherein it has granted permission for redevelopment of the project and at least 70% of member of the society present in a Special General Body Meeting convened for the purpose, have approved redevelopment and have consented in favour of the redevelopment by the applicant as per provision of relevant Act.

- h) In case of properties situated in the layout and owned by MHADA/Land owning public authority, a certificate from MHADA or land owning public authority certifying that minimum 51% of the certified and legal occupants of the property have granted consent in favour of developer.
- i) In the case of land leased by the Government or local authorities, clearance of Government or such authorities regarding observance of the lease conditions shall be obtained and attached to the application for development permission in respect of such land.
- j) Any other documents as may be prescribed by the Commissioner;
- k) Declaration cum affidavit from the owner/developer/applicant stating therein that construction materials like sand/aggregate will be obtained from the authorized quarry.
- (iii) Key plan or location plan-A Key plan drawn to a scale of not less than 1: 4000 shall be submitted along with the application in Appendix II for development permission and commencement certificate showing the boundary, locations of the site with respect to neighborhood land-marks.
- (iv) Site plan-The site plan sent with an application for permission drawn to a scale of 1:500 shall be duly signed by the Owner & licensed Surveyor or architect showing in addition to the details in Form-II of Annexure I the following: -
  - a) The boundaries of the site and of any contiguous land belonging to the owner of the site;
  - b) The position of the site in relation to neighboring streets;
  - c) The names of the streets on which the building is proposed to be situated if any;
  - d) All existing buildings contained in the site with their names (where the buildings are given names) and their numbers;
  - e) The position of the building and of other buildings, if any, which the applicant intends to erect upon his contiguous land referred to in(iv)(a) above in relation to-
    - i. the boundaries of the site and in a case where the site has been partitioned, the boundaries of the portions owned by others;
    - ii. all adjacent streets, buildings (with number of stories and height) and premises within a distance of 12 m of the work site and of the contiguous land (if any) referred to in (iv)(a); and
    - iii. if there is no street within a distance of 12m of the site, the nearest existing street with its name;
  - f) The means of access from the street to the building, and to all other buildings (if any) which the applicant intends to erect upon his contiguous land referred to in (iv)(a) above;
  - g) The space to be left around the building to secure free circulation of air, admission of light and access for service purposes;

- h) The width of the street (if any) in front and of the street (if any) at the side or near the building;
  - i) The direction of the north line relative to the plan of the building;
  - j) Any existing physical features, such as wells, tanks, drains or trees;
  - k) The ground area of the whole property and the back-up of the covered area on each floor with the calculations;
  - l) Overhead electric supply lines including space for electrical transformer sub-station according to the requirements of the electric distribution licensees, water supply and drainage line.
  - m) Contour plan of site, wherever necessary.
  - n) Such other particulars as may be prescribed by the Commissioner.
- (v) Sub-division/Lay-out Plan -Where development is proposed in a sub-division or involves a layout plan, the notice shall be accompanied by a key-plan showing the location of the plot in the ward at a scale of not less than 1:4000 and a sub-division layout plan to a scale of not less than 1:500, which shall be duly signed by the Owner & licensed surveyor or architect containing the following: -
- a) Scale used and the direction of the north line relative to the plan of the building;
  - b) The location of all proposed and existing roads with their names, existing/proposed/prescribed width within the land;
  - c) dimensions of the plot along with the building lines showing the set-backs with dimensions of each plot;
  - d) The location of drains, sewers, STP, tanks, wells, trees, public facilities and services, electric lines, etc.;
  - e) A table indicating the size, area and use of all the plots in the sub-division/lay-out plan;
  - f) A statement indicating the total area of the site, area utilized under roads, open spaces for parks, playgrounds, recreation spaces and development plan designations, reservations and allocations, amenity space, school, shopping and other public places along with their percentage with reference to the total area of the site;
  - g) In the case of plots which are sub-divided in built-up areas, in addition to the above, the means of access to the sub-division from existing streets and in addition, in the case of plots which are sub-divided in built up area, the means of access to each sub-plot from existing streets.
  - h) Contour plan of site, wherever necessary.
- (vi) Building Plan -The plans of the building with elevations and section accompanying the notice shall be drawn to a scale of 1:100 and shall-
- a. Include floor plans of all floors together with the covered area clearly indicating the size of the rooms, the positions and width of staircases, ramps and other exit ways, lift wells, lift

machine rooms and lift pit details, meter room and electric sub-station. It shall also include the ground floor plan as well as the basement plan and shall indicate the details of parking spaces, loading and un-loading spaces, if required to be provided around and within the building, as also the access ways and appurtenant open spaces with projections in dotted lines, the distance from any building existing on the plot in figured dimensions along with the accessory building. These plans will also contain the details of FSI calculations.

- b. Show the use or occupancy of all parts of the buildings;
- c. Show the exact location of essential services, e.g. water closet (WC), sink, bath,
- d. Include sectional drawing showing clearly the sizes of the footings, thickness of basement wall, wall construction, size and spacing of framing members, floor slabs and roof slabs with their materials. The section shall indicate the heights of the building and rooms and also the height of the parapet and the drainage and the slope of the roof. At least one section should be taken through the staircase & Lift well. The certified structural plan by Structural Engineer/Consultant giving details of all structural elements and materials used along with structural calculations can be submitted separately, but under any circumstances, before the issue of the development permission/commencement certificate;
- e. Show relative levels of streets;
- f. Give dimensions of the portions projecting beyond the permissible building line;
- g. Include a terrace plan indicating the drainage and the slope of the roof;
- h. Indicate the north line relative to the plans;
- i. Give a schedule of doors, windows and ventilators;
- j. Show the pump rooms, Rain Water Harvesting System, Sewage Treatment Plant, if any.
- k. Provide such other particulars as may be prescribed by the Commissioner;  
Provided that with the building plans for high rise or special buildings, the following additional information shall be furnished or indicated on the building plans;
- l. Access to fire appliances/vehicles with details of vehicular turning circle and clear motorable access way around the building;
- m. Size (width) of main and alternate staircases along with the balcony approach, corridor, ventilated lobby approach;
- n. Location and details of lift enclosures;
- o. Location and size of fire lift;
- p. Smoke stop lobby door/Fire resistant door, where provided;
- q. Refuse chutes, refuse chamber, service duct, etc.
- r. Vehicular loading and unloading and parking spaces;
- s. Refuse area if any;
- t. Details of air-conditioning system with position of fire dampers, mechanical ventilation system, electrical services (with dimensions of electrical transforming sub-stations etc.) boilers, gas pipes, meter rooms etc.;

- u. Details of exits, including ramps, etc. for hospitals and special risks;
  - v. Location of generator, transformer and switch gear room;
  - w. Smoke exhaust systems, if any;
  - x. Details of fire alarm system;
  - y. Location of centralized control, connecting all fire alarms, built-in fire protection arrangements and public address system, etc.; location and dimensions of static water storage tank and pump room along with fire service inlets for mobile pump and water storage tank;
  - z. Location and details of fixed fire protection installation such as sprinklers, wet hose reels, drenchers, carbon-dioxide (CO<sub>2</sub>) installations, etc.; and.
  - aa. Location and details of first aid and firefighting equipment/installations.
- (vii) *Service plan* - Plan and sectional elevations of private water supply, sewage disposal system and details of building services, where required by the Commissioner, shall be made available on a scale of not less than 1:100 before undertaking such work.
- (viii) *Specifications*. - General specifications of the proposed construction, giving the type and grade of materials to be used in the form in Annexure 2 to 9 signed by a licensed surveyor/engineer/structural engineer, supervisor, architect, town planner or qualified professional as the case may be, shall accompany the notice. It shall be ensured that the construction materials to be used shall be in accordance with the relevant I S Codes, by the developer/owner.
- (ix) *Supervision Certificate*. - The notice shall be further accompanied by a certificate of supervision in the form in Annexure 2 to 8 by the licensed surveyor/engineer/structural engineer/supervisor or architect/Professional on Record as the case may be. If the said licensed technical person or architect ceases to be employed for the development work, further development shall be suspended till a new licensed technical person or architect is appointed and his certificate of supervision along with a certificate for the previous work erected, if any, is accepted by the Commissioner.
- (x) *Development permission fee receipt* - The notice shall be accompanied by an attested copy of the receipt of payment of the development permission application fee.
- (xi) *Security deposit* - To ensure compliance with these Regulations and the directions given in the sanctioned plan and other conditions, a security deposit, shall be charged at rates specified by the Commissioner. It shall be returned to the owner immediately after the issue of the full occupancy certificate and after the Commissioner is satisfied with the compliance with various conditions stipulated in the said full occupancy certificate.
- (xii) *Clearance certificate for tax arrears* - The notice shall also be accompanied by self-certification by the owner/developer regarding payment of tax up to date with certified copies of latest payment receipt.
- (xiii) *No objection certificate* - For occupancies requiring clearance from authorities like the Civil Aviation Department, Directorate of Industries, Maharashtra Pollution Control Board, Inspectorate of Boilers and Smoke Nuisances, electrical distribution licensers regarding requirements of electrical transforming stations, the no objection certificate from these authorities, applicable to the occupancy, shall also accompany the notice.
- (xiv) *Other facilities to be provided during construction*. - The notice shall also be accompanied by an undertaking from the owner/developer/contractor to the effect that during the period of

construction facilities will be made available for day-care centre, crèche, adult-literacy and non-formal education programs for the construction workers, directly by him or through a voluntary agency.

**(4) Signing of plans by owners and licensed personnel/architect:**

(i) *Signing of Plans* - All the plans shall be signed by the owner and the licensed surveyor/engineer/structural engineer/supervisor or architect or any Professional on Record as the case may be, and shall indicate their names in block capital letters, addresses and license numbers when so licensed, allotted by the Commissioner. The list of Professionals on Record is as per Annexure 10.

(ii) *Qualification and competence of the licensed surveyor/engineer/structural engineer/supervisor/Professional on Record* - The Commissioner may grant license to surveyors, engineers, structural engineers and supervisors with the qualifications listed in Annexure 10 to perform the tasks mentioned in that Annexure.

**(5) Processing of the development permission application:**

(i) *Grant of permission or refusal.* - The Commissioner may either sanction or refuse to sanction the plans and specifications or may sanction them with such modifications or directions as he may deem necessary, and thereupon, he shall communicate his decision accordingly to the person giving the notice in the formats specified in Annexure 11 and 12

(ii) *Fire brigade scrutiny.* -The plans for all high rise and special buildings shall also be subject to the scrutiny of the Chief Fire Officer, and development permission shall be given by the Commissioner only after clearance by the Chief Fire Officer.

(iii) *Deemed permission.* -If within sixty days of the receipt of the notice under sub-Regulations (1) of Regulations 10, the Commissioner fails to intimate in writing to the person who has given the notice, his refusal or sanction, or sanction with modifications or directions, the notice with its plans and statements shall be deemed to have been sanctioned, provided that this shall not be construed to authorize any person to do anything on the site of the work in contravention of or against the terms of lease or titles of the land, development plan, these Regulations or any law in force.

(iv) *Revised plans.* - Once the plans have been scrutinized and objections have been pointed out, the owner giving notice shall modify the plans to comply with the objections raised and resubmit them. The plans submitted for final approval shall not contain superimposed corrections. The Commissioner shall scrutinize the revised plans and shall grant or refuse development permission/commencement certificate within sixty days from the date of resubmission.

**(6) Commencement of work:**

A development permission/commencement certificate shall remain valid for four years in the aggregate, but shall have to be renewed before the expiry of one year from the date of its issue. The application for renewal shall be made before expiry of one year, if the work has not already commenced. Such renewal can be done for three consecutive terms of one year each, after which proposals shall have to be submitted to obtain development permission afresh.

For the purpose of this Regulation, `Commencement` shall mean as under: -

(a)	For a building work including additions and alterations	Upto plinth level or where there is no plinth, upto upper level of lower basement or stilt, as the case may be.
(b)	For bridges and overhead Tanks	Foundation and Construction work up to the base Floor.
(c)	For Underground works	Foundation and Construction work up to floor of underground Floor.
(d)	For lay-out, sub-division and amalgamation proposals	Final demarcation and provisions of infrastructure and services up to the following stages:  (i) Roads: Water bound macadam complete.  (ii) Sewerage, Drainage and water supply excavation and base concreting complete.

**(7) *Payments of the development charges/ premium/ development cess/off-site infrastructure charges/fees:***

Development permission/ Commencement certificate shall be granted only on payment of the requisite fees, development charges, premiums, Development cess/off-site infrastructure charges, as applicable for the proposal. The development shall be considered unauthorized if carried out without requisite payments to the Government/MCGM/Planning Authority.

NOTE: The Commissioner with special permission may decide the modalities of procedure for Development Permission, including online approval process, from the point of view of Ease of Doing Business.

**11. Procedure during Construction**

(1) **Construction to be in conformity with Regulations:** Owner's liability-Neither the grant of permission nor approval of the drawing and specifications nor inspections by the Commissioner during erection of the building, shall in any way relieve the owner of such building from full responsibility for carrying out the work in accordance with these Regulations.

The relevant provisions of the Noise Pollution (Regulation and Control), Rules 2000 as amended up to date be adhered to in letter and spirit.

(2) **Notice to start of work:** The owner shall give notice to the Commissioner of his intention to start work on the building site in the format given in Annexure 13 The owner may start the work after 7 days have elapsed from the date of the service of such notice to the Commissioner or earlier, if so permitted.

(3) **Documents at site:**

(i) Results of tests- Where tests of any material are made to ensure conformity with the requirements of these Regulations, record of the test data shall be kept available for inspection during the construction of the building and for such period thereafter as required by the Commissioner.

- (ii) Development permission - The person to whom development permission is issued shall during construction, keep-
- (a) posted in a conspicuous place, on the site for which permission has been issued, a copy of the development permission/commencement certificates; and
  - (b) a copy of the approved drawings and specifications referred to in Regulations 10 on the site for which the permission was issued.
  - (c) list of Professionals on Record with their contact details.
  - (d) copies of various remarks obtained from various departments related to the development.

(4) **Checking of plinth columns up to plinth level:** The owner through his licensed surveyor, or his architect shall give notice in the form given at Annexure 14 to the Commissioner on completion of work up to plinth level to enable the Commissioner to ensure that the work conforms to the sanctioned plans. The Commissioner may inspect the work jointly with the licensed technical personal or architect within fifteen days from the receipt of such notice and either give or refuse permission for further construction as per the sanctioned plans in the form given at Annexure 15. If within this period, the permission is not refused, it shall be deemed to have been given provided the work is carried out according to the sanctioned plans.

(5) **Deviation during constructions:** If during the construction of a building, any departure of a substantial nature from the sanctioned plans is intended by way of internal or external additions, prior sanction of the Commissioner shall be mandatory. A revised plan showing the deviations shall be submitted and the procedure laid down for the original plans here to shall apply to all such amended plans. Any work done in contravention of the sanctioned plans, without prior approval of the Commissioner, shall be deemed as unauthorized.

(6) **Completion certificate:** The owner, through his licensed plumber, shall furnish a drainage completion certificate to the Commissioner in the form given at Annexure 17. The owner through his licensed surveyor/engineer/structural engineer/supervisor or his architect, or any professional on record, who has supervised the construction, shall furnish a building completion certificate to the Commissioner in the form given at Annexure 18. These certificates shall be accompanied by three sets of plans of the completed development. The Commissioner shall inspect the work and, after satisfying himself that there is no deviation from the approved plans, issue a certificate of acceptance of the completion of the work in the form given at Annexure 19. Further on receipt of development completion certificate for entire development in the form of Annexure 16, and after satisfying himself that there is no deviation from the sanctioned plans, may issue Building Completion certificate in the form given at Annexure 22 or refuse the Building Completion Certificate within 21 days from the date of receipt of the request for the said Building completion certificate. Deviation in outer dimension to the extent of 25 mm shall be tolerated subject to condition that carpet area shall remain unchanged.

(7) **Occupancy certificate:** On receipt of the acceptance of completion certificate in the form given at Annexure 19, the owner, through his licensed surveyor or his architect shall submit to the Commissioner a development completion certificate in the form given at Annexure 16 with three copies of the completion plan, one of which shall be cloth mounted for record. The Commissioner may inspect the work and after satisfying himself that there is no deviation from the sanctioned plans, issue an occupancy certificate in the form given at Annexure 20 or refuse to sanction the occupancy certificate within 21 days from the date of receipt of the said completion certificate, falling which the work shall be deemed

to have been approved for occupation, provided the construction conforms to the sanctioned plans. One set of plans, certified by the Commissioner as the completed plans, shall be returned to the owner along with the occupancy certificate. Where the occupancy certificate is refused, or rejected, the reasons for refusal or rejection shall be communicated to the owner in writing.

(8) **Part occupancy certificate /part building completion certificate:** When requested by the owner, the Commissioner may issue a part occupancy certificate /accept part building completion certificate for a building or part thereof, before completion of the entire work as per the development permission, provided sufficient precautionary measures are taken by the holder to ensure public safety and health. The part occupancy certificate/part building completion certificate shall be subject to the owner's indemnifying the Commissioner in the format given at Annexure-21

## 12. Inspection –

(1) **Inspection at various stages:** The Commissioner may at any time during erection of a building or the execution of any work or development, make an inspection thereof without giving previous notice of his intention to do so.

(2) **Inspection by Fire Departmental:** For all high-rise and special buildings, the work shall also be subject to inspection by the Chief Fire Officer, and the Commissioner shall issue the occupancy certificate/accept building completion certificate only after clearance by the said Chief Fire Officer.

(3) **Unsafe building:** All unsafe buildings shall be considered to constitute danger to public safety, hygiene and sanitation and shall be restored by repairs or demolished or as otherwise directed by the Commissioner.

### (4) Unauthorized development:

(a) In case of unauthorized development, the Commissioner shall take suitable action which may include demolition of unauthorized works as provided in section 53 of the Maharashtra Regional and Town Planning Act, 1966 and the relevant provisions of the Mumbai Municipal Corporation Act, 1888.

(b) It will be the responsibility of the Architect/Licensed Surveyor on Record, to inform the Commissioner, immediately, regarding any unauthorized work/ development and also to inform the owner/developer, in writing, to stop the work, failing which suitable action against Architect/ licensed surveyor will be taken.

(5) **Safety Precautions:** It shall be responsibility of the Owner/Developer and the respective professionals on record appointed by Owner/Developer, to ensure that all the necessary safety measures are taken on site and its immediate surroundings, especially in regard to workmen engaged, as directed in part -7, Constructional Practices & Safety, National Building Code of India, as amended up to date.

Grant of IOD/C.C/O.C. or issuance of any written instructions to ensure public safety or reduce nuisance/inconvenience does not render MCGM liable for any injury, damages or loss whatsoever that may be caused to anyone in and around the construction area/site.

### (6) Revocation of permission:

(i) Without prejudice to the powers of revocation conferred by Section 51 of the Maharashtra Regional and Town Planning Act,1966, Municipal commissioner may, after giving the opportunity of being heard, revoke any development permission issued under these regulations where it is noticed by him that there had been any false statement or any



misrepresentation of material fact in the application on the basis of which the development permission was issued and thereupon such work carried out in pursuance of such permission shall be treated as unauthorized.

- (ii) In the case of revocation of permission under sub-regulation (i) above, no compensation shall be paid.

## PART III LAND USES AND MANNER OF DEVELOPMENT

### 13. Development Stipulations.

- (1) **General:** In every case of development/re-development of any land, building or premises, the intended use shall conform to the use zones, purpose of designation, allocation or reservation as the case may be, unless specified otherwise.
- (2) **Development of the existing amenity/reservation/partly existing amenity/partly reserved/amenity Plot:**
  - a) **Development of the existing amenity:** Where a building on a site comprises a existing amenity, the development of such land shall necessarily comprise minimum BUA equal to the existing amenity. Any balance permissible BUA, thereafter, may be put to use in conformity with development otherwise permissible in these Regulations.

In Development Plan if plot is shown as existing amenity for a public purpose with plus (+) sign, then existing authorized BUA which is being used for the said public purpose shall be maintained during reconstruction/redevelopment of said plot.

Provided that where the Commissioner with special written permission, decides that the buildable existing amenity is no longer required in view of the available amenity in the vicinity, then the amenity shall be developed for other buildable public purpose considering the deficiency in the administrative ward.

Provided further that if a land is shown as existing amenity pursuant to valid development permission (except in case of PPL), as per LOI issued/ granted under the principle of AR/I to R &C, prior to coming into force of these Regulations, and when such amenity is not developed/under development on site, then at the option of owner /developer, the land under reference shall be developed as per the development permission granted or may be developed under these regulations considering reservation area as per then DP. The Commissioner with the special written permission may decide that the said amenity if no longer required in view of the available amenity in the vicinity, then the amenity shall be developed for other public purpose considering the deficiency in the administrative ward.

Provided further that, on surrender of tenancy by MCGM/Appropriate Authority in a private existing amenity plot, the existing amenity on the said plot shall be deemed to be lapsed. If the use of the existing amenity on the private land is stopped with due permission from competent authority then such private land can be developed with the special permission of the Commissioner for the permissible land uses in the said zone.

If schools which have been developed on unreserved plots and are now shown as existing amenity in DP 2034 considering their land use can be redeveloped in future with the additional benefits of FSI available in DCPR, provided that they shall comply with all other regulations of DCPR/ terms & conditions / policy of Govt. Merely by virtue of showing the existing land use as existing amenity in respect of school will not give the status of authorization unless it is constructed authorisedly as per the prevailing Regulations / terms & conditions / policy of Govt.

Provided further that if a land is shown as existing amenity and such existing amenity is spread over a number of adjoining plots as per DP 2034 and if any of such plot has not contributed towards its reservation as per DP 1991 now forming part of existing amenity, then such plot will be deemed to be reserved for such purpose and shall be developed as per Regulation No 17.

Exception: Traffic Islands constituting part of the road may be merged with carriageway in order to improve the traffic movement with the special written permission of Commissioner (Unless these are shown in open space calculation).

- b) **Development of Reservations:** Land reserved in the DP shall be developed as per the provisions of Regulation No.17, Table No.3, 4 & 5 for land use and manner of development.
- c) **Development of land partly shown as existing amenity:** Where a building exists on a site shown as existing amenity in the DP, only its appropriate part of land as used for such existing amenity, shall be used for the said purpose and the remaining part of the land/building of the developable land may be put to use in conformity with the purpose of development as otherwise permissible in these Regulations.
- d) **Development of Amenity plot:** Wherever possession of lands is obtained by the Planning or Appropriate Authority as an amenity plot as per the provisions of these Regulations, such entire plot shall be used exclusively for public purpose as decided by the Municipal Commissioner, without applying provisions of Accommodation Reservation (AR) under Regulation No. 17.
- (3) **Combination of public purposes/uses in reserved sites:** Where the Corporation or the Appropriate Authority proposes to use land/building/premises reserved for a specific public purpose/purposes, for a different public purpose/purposes, it may do so, with the previous approval of the Government, provided that the combination of such different uses conform to these Regulations and the permissible use in the zone in which the site falls. Provided further that this shall not apply
- (a) to any site being developed for education, wherein a branch of a bank/ATM may be allowed,
  - (b) to any site being developed for health, wherein shops of pharmacists or chemists / ATM may be permitted,
  - (c) to any site encumbered by another non-educational user and being redeveloped for educational purposes, in which case the existing non-educational uses may be allowed to continue without any increase in the net floor area covered by them, and
  - (d) to any site Public Open Space (POS)
- (4) **Reservation for Multiple Public Purposes:** Where land is reserved for multiple public purposes in the DP, the distribution of land area/BUA under reservation for each public purpose shall be preferably equal.
- Provided that, if the plot is reserved for some public purpose with plus (+) sign, then at least 50% of the plot area shall be developed for the purpose for which it is reserved in DP and rest of the plot can be developed for other purposes related to plus (+) sign considering the deficiency in that ward.
- Provided further that where specific percentages of multiple public purposes are specified in DP, the said percentage shall prevail.
- Provided further that where reservations for public amenities are proposed on plots already designated (with developed amenity, but with potential of the land not fully utilized), then in such cases, the areas of reservation/s will be as decided by the Municipal Commissioner, if not defined by DP.
- (5) **Area of reserved land:** The area of the reservation shall be considered after deduction of area under proposed DP Road/Prescribed Regular line/Existing Municipal Road affecting the reservation.

- (6) **Shifting and/or interchanging the purpose of existing amenity/reservations:** In the case of specific existing amenity/reservations in the DP, the Commissioner, with the consent of owners may shift, interchange the existing amenity/reservation in the same or on, adjoining lands in the same zone, provided that the relocated existing amenity/reservation abuts a public street of same or more width as per DP and shall have the same amount of visibility from the road and it is not encumbered and the area of such existing amenity/reservation is not reduced.

The Municipal Commissioner shall pass the reasoned order for the aforesaid changes and intimate the same along with certified copy of plan to the Director of Town Planning, Pune & State Govt.

Provided that no such shifting of reservation / existing amenity shall be permissible

- (a) If the reservation/ existing amenity proposed to be relocated is in parts;
- (b) Beyond the same holding of the owner in which such reservation/ existing amenity is located;
- (c) Unless the alternative location and area is similar to the original location and area of the original DP reservation/ existing amenity.
- (7) **Art and Culture:** The Commissioner may permit temporary use of POS such as Gardens, Leisure Parks, multi-purpose community centers, libraries, reading rooms, public halls, Heritage area and Heritage Precincts, educational complexes, parking lots, institutional areas and the like for the purpose of Art and Culture including circus, jatra, folk dance, meditation and related activities in defined time slots, when the primary functions and uses of such spaces are not being performed. In allowing such use, it should be ensured that the primary use is not compromised/ impaired.
- (8) **Temporary Vending Zone:** The Commissioner may by special permission, allow certain existing amenity lands or premises, as determined by the Commissioner, such as public parking lots, to be brought under vending zone. During such time slots (not more than one to four hours per week on weekends), the primary user of the existing amenity land/premises shall remain temporarily suspended. In allowing such use, it should be ensured that the primary use is not compromised/ impaired.
- (9) **Art & Culture, Temporary Vending Zone/Bajar-hat/Athawadi Bazar/Equal Street:** The Municipal Commissioner shall identify and provide space for Art & Culture, Recreational/Play area/Temporary Vending Zone or Bazar-hat/Athawadi Bazar/Equal Street, on street/road, on weekend/holidays etc. On such days, as specified by the Municipal Commissioner, such streets/roads or stretch of streets/roads, can be used as recreational/play area & space for activity as stated herein above. The Municipal Commissioner shall also identify public spaces, including roads for night bazar to be conducted. The powers of identification of such spaces shall not be delegated.

## 14 Amenities

### (A) In Plots/lay-outs of the land admeasuring 4000 sq. m or more:

In case of development of land admeasuring 4000 sq. m and more (excluding the area under Road set back/DP Road) in Residential and Commercial Zones, amenity areas as specified below shall be provided fronting on public road or shall be provided with a perpetual independent right of way. Such amenity area shall be exclusive of area under perpetual independent right of way and shall be handed over to MCGM.

- (i) Development of plots with area 4,000 sq. m and more and up to 10,000 sq. m shall require handing over 5% of plot area to MCGM as POS.
- (ii) Developments of plot with area exceeding 10,000 sq. m shall require handing over of 500 sq. m plus 10% of plot area in excess of 10000 sq. m to MCGM as amenity. 50% of such amenity shall be used exclusively for POS and the balance 50% shall be used for provision of such

amenities as education, health, social and other amenities as approved with the special permission of the Commissioner. In determining the amenity, the Commissioner shall give due regard to amenity deficits in the ward.

- (iii) Such amenities or facilities (i) and (ii) above shall be deemed to be designations or reservations in the DP thereafter.

Provided further that, in cases where DP has provided any reservation on the plot under development excluding the D P Road /Road set back, the following criteria would be applicable:

- a) If the area under DP reservation to be handed over to MCGM (excluding the DP Road/Road set back) is less than the required area of amenity as per this Regulation, then only the additional area required shall be provided for amenity.
- b) If the area under DP reservation to be handed over to MCGM (excluding the DP Road/Road set back) is more than the required area of amenity as per this Regulation, then the provision for amenity shall not be necessary.
- c) Such amenity shall be deducted from the plot for the calculation of FSI permissible on the balance plot.
- d) These areas will be in addition to the Layout Recreational Open Space (LOS) as required under Regulation No. 27.
- e) The minimum dimension of any side of such amenity shall not be less than 7.5 m and if the average width of such amenity is less than 16.6 m, the length thereof shall not exceed 2 1/2 times the average width.

Note: i) No amenity plot will be carved out of any land entirely reserved for public purpose.

(ii) In case of redevelopment under 33(7), 33(7)(A), 33(10) amenity as per this Regulation shall be reduced to 35%.

(iii) In case of amalgamation of plots, no amenity shall be required for the original plot having area less than 4000 sq.mt. However, if area of such amalgamated plots is more than 20000sq.mt. then the amenity as per this Regulation shall apply.

**(B) *Conversion of Industrial Zone to Residential or Commercial Zone for the Uses permissible in Residential or Commercial Zone***

With the previous approval of the Commissioner, any open land in the Industrial Zone, (I-Zone) (including industrial estates), excluding lands of cotton textile mills, may be permitted to be converted into Commercial or Residential zone for permissible uses in the Residential Zone (R- Zone) or Commercial Zone (C Zone) The area for conversion shall be considered after deduction of area under proposed DP Road/ Prescribed Regular line/Existing Municipal Road affecting the plot/s.

Such conversion shall be subject to payment of the premium at the rate of 20% of Annual Schedule of Rates (ASR rate) of developed land or as may be decided by Government from time to time out of which 50% amount towards Government share shall be deposited in the office of the Deputy Director of Town Planning, Greater Mumbai and subject to the following:

- (a) Conversion of Industrial Zone to Residential/Commercial Zone in respect of closed industries shall be permitted subject to NOC from Labour Commissioner, GoM. Provided that where conversion has been permitted on the basis of this certificate, Occupation Certificate will not be given unless a no dues certificate is granted by the Labour Commissioner.
- (b) However, in respect of any open land in the Industrial Zone where industry never existed, NOC from Labour Commissioner will not be required.

- (c) If the land under such conversion admeasures
- (i) less than 2000 sq. m, either 10% amenity in the form of open land or 5% of built up area worked out at Zonal (basic) FSI in the proposed construction and appropriate location preferably on ground floor shall be handed over to MCGM free of cost in the form of residential or commercial premises. Such areas shall be over and above the FSI permissible on the plot. BUA in lieu of cost of construction of built up amenity to be handed over shall be as per the provisions of Regulation number 17(1) note 1(d).
  - (ii) Equal to 2000 sq. m or more amenity area to be handed over to MCGM shall be as detailed below-

Sr. No	Plot Area for conversion	% of land area as Amenity to be handed over to MCGM	Condition
1	2000 sq. m or more, but less than 2 ha	10%	Entire amenity shall be designated as POS
2	2 ha or more, but less than 5 ha	2000 sq.m plus 20% of plot area in excess of 2 ha	At least 50% of the amenity shall be designated as POS reservation.
3	5 ha or more	8000 sq.m plus 25% of plot area in excess of 5 ha	

However, if the Developer provide constructed amenity as decided by the Commissioner on the plot to be handed over and Commissioner shall give due regard to amenity deficits in the ward. In such cases, TDR in lieu of cost of construction of built up amenity to be handed over shall be as per the provisions of Regulation 17(1) note 1(d).

- (d) These areas will be in addition to the LOS as required to be provided under Regulation No. 27.
- (e) The required segregating distance as prescribed under these Regulations shall be provided within such land intended to be used for residential or commercial purposes.
- (f) Such residential or commercial development shall be allowed within the permissible FSI of the adjoining Residential or Commercial Zone.
- (g) Such provisions for public utilities, amenities shall be considered to be reservations in the DP.
- (h) Public utility and amenity shall not be developed under AR as per Regulation No.17. The entire plot of amenity shall be developed for the purpose of public amenity/ POS as per sub regulation No 14(B)(c)(ii) above of this regulation.

Note:

- I. Conversion from industrial zone to residential/commercial zone shall be applicable to the part area of land holding subject to the condition that total area of the entire land holding shall be considered for deciding the payment of premium and percentage of land to be reserved for amenity, as per this Regulation.
- II. In the event of DP having provided a reservation / reservations on a plot desiring conversion from Industrial Zone to Residential/Commercial Zone, the following shall apply:
  - a. If the area under DP reservation to be handed over to MCGM (excluding the areas under DP roads/ road setback) is less than the required area of amenity as per this Regulation, only the additional land area shall be provided for amenity
  - b. If the area under DP reservation to be handed over to MCGM, (excluding the areas under DP roads/ road setback), is more than the required area of amenity as per this Regulation, then the provision for amenity is not necessary.

- c. In case plot area under conversion is less than 2000 sq. m, land component either 10% amenity in the form of open land or 5% built up amenity shall be considered for the purpose of calculation of amenity as per note (a) and (b) above.
- III. Out of the total floor area proposed to be utilized for residential development, as per basic FSI, 20% of the same shall be built for residential tenements, each having BUA up to 50sq. m
- IV. If the development is already in progress and if full Occupation Certificate has not been granted to any of the buildings in the layout, then the land owner/developer may convert the proposal in accordance with the provisions of this Regulation subject to the following conditions:

Conditions:

- a) The revised provisions will be applicable in totality. The benefit of both old and revised Regulations shall not be allowed.
- b) The benefit of revised Regulations will be applicable only in cases where (a) full Occupation Certificate has not been granted to any of the buildings in the layout and (b) required amenity or DP reservation, if any, has not been handed over to the Corporation.
- V. Out of the built up area proposed to be utilized for residential purpose as per zonal basic FSI, minimum 20% built up area shall be used for commercial purpose as permissible in these regulations.
- VI. If the lands for industrial units are acquired under the provisions of part VII of the land acquisition Act 1894, then prior permission of the Government is necessary before permitting residential / commercial use in such lands and additional terms and conditions mentioned in Revenue Department, G.R. No. MISC-01/2017/C.R.11/A-2, Dated. 11/01/2018 shall be applicable.

### 15. *Inclusive Housing (IH)*

In case of any residential development partially or fully consisting of sub-division/amalgamation/layout or single plot of land having gross plot area admeasuring 4000 sq.m. or more (excluding the area under Road set back/DP Road/ existing amenity/reservation) shall have the provision of IH as described below:

- 1 a) For construction of EWS/LIG tenements, minimum 20% of the plot area (excluding the area under Road set back/D P Road/existing amenity/reservation) shall be handed over to MCGM free of cost. The FSI of the plot handed over to MCGM shall be allowed to be utilized on the remaining plot.
  - b) The aforesaid plot shall be handed over to MCGM within 24 months from the date of approval /approval of the layout. The FSI of such plot can be utilized on remainder plot only after handing over of such plot to MCGM or before availing Zonal (basic) FSI beyond 75% of plot area or granting Occupation Certificate to last 25% of Zonal(basic) FSI in to any of the building, whichever is earlier. The ownership of such plot shall be transferred in the name of MCGM in Revenue records before seeking occupation to last 25% of admissible FSI in any of the buildings in the layout other than IH.
  - c) MCGM after receipt of such plot shall immediately formulate a scheme of development for IH wherein the size of tenement shall have carpet area for EWS/LIG Housing as decided by the Housing Department, Government of Maharashtra, from time to time. Between 25 sq. m. and 27.88 sq. m. Further, such plots shall not be used for any other purpose.

Provided that in case the Landowner/Developer desires not to utilize such FSI in the same land, fully or partly, then he shall be eligible for TDR in lieu of such unutilized FSI. The utilization of this TDR shall be subject to the prevailing provisions of DCR and as per the following formula.

Formula:

$$X = (R_g/R_r) * Y$$

Where, X = Utilization of Development Right (DR) on the receiving plot.

$R_g$  = Land Rate in Rs. per sq. m as per the Annual Schedule of Rates (herein after referred to as "ASR") of generating plot in the year when project is sanctioned IOD/IOA is issued.

$R_r$  = Land Rate in Rs. per sq. m as per ASR of the receiving plot of the same year of generating plot.

Y = Unutilized FSI.

d) In case the owner/developer opts to utilize the FSI on the remainder plot/within layout, the permissibility of the FSI for the purpose of development on balance plot shall be considered on the plot area excluding the area to be handed over to MCGM for IH.

OR

2) EWS/LIG Housing in the form of tenements of size ranging between carpet area of size 25 sq. m to 27.88 sq. m or as decided by the Housing Department, Government of Maharashtra, from time to time. (herein after referred to as 'IH tenements') and shall be constructed at least to the extent of 20% of the Zonal(basic) FSI. Such housing shall preferably be in separate wing/building and shall be handed over to MCGM subject to the following conditions: -

(a) The BUA of the IH tenements constructed under the scheme shall not be counted towards FSI and such built up area shall be allowed over & above the permissible BUA under these regulations.

(b) The Landowner/Developer shall construct the stock of IH tenements in the same plot and the Planning Authority shall ensure that the Occupation Certificate for the rest of the development under the said Scheme is not issued till the Occupation Certificate is issued for IH tenements under the said Scheme and handed over to MCGM.

"Provided that the BUA of IH i.e. 20% of the Zonal (basic) FSI of the plot can also be provided at some other location (s) within the same Administrative Ward of the Municipal Corporation provided that the BUA to be handed over to MCGM shall be of equivalent value as per ASR of that year. Such construction shall be free of FSI to the extent of 40% of Zonal (basic) FSI over & above of the permissible BUA of' such plot/alternative plot.

Built up Area B= Built up Area A X (RR-A / RR-B)

Where:

Built up Area A= BUA of IH units proposed to be transferred from plot A

Built up Area B= BUA of IH units to be handed over to MCGM at plot B in lieu of BUA of plot A

Where plot A and plot B are situated in the same Municipal Ward

RR-A= Ready Reckoner Rate for BUA at Plot A

RR-B = Ready Reckoner Rate for BUA at Plot B

c) The completion of IH tenements under the said Scheme, along with necessary particulars, including a copy of the Occupation Certificate granted by the Planning Authority in respect thereof, shall be immediately intimated by the Landowner/Developer to concerned department of MCGM. The disbursement of such 20 % IH tenements shall be as under:

i) 20% of such tenements shall be allotted to PAPs of vital infrastructure projects, preferably from the same ward.



ii) Balance 80% of such tenements shall be allotted to EWS/LIG households on outright sale. The allotment of tenements shall be as per the lottery system adopted by MHADA.

If MCGM does not require tenements as per sr. no (i) above within six months from the date of receipt of such intimation, then the same may be sold as per sr. no ii) above.

iii) Money so received from proceeds of the sale shall be utilized by MCGM for implementation of DP.

iv) The developer/owner shall be entitled for the BUA in lieu of cost of construction of tenements as stated below:

BUA in lieu of cost of construction of IH = 1.50 [Rate of construction per sq. m as per ASR rate/Rate of developed land per sq. m as per ASR (for FSI 1)]\* BUA of IH

Note:

1) BUA in lieu of cost of construction of IH shall be allowed as specified in Regulation No.30, table 12 or can be adjusted against permissible TDR/Additional FSI on payment of premium.

2) Commencement Certificate in lieu of BUA of IH can be granted only after handing over of such BUA to MCGM or before availing Zonal (basic) FSI beyond 75% of plot area or granting Occupation Certificate to last 25% of admissible FSI in any of the building other than IH, whichever is earlier.

3) For arriving at number of tenements, ratio of BUA to carpet area shall be considered as 1.2 (including requirements as per provision of these Regulations). No separate compensation shall be given for areas under Regulation No.31 (1). BUA for the construction of staircase/lift/staircase and lift lobby & other areas as per 31(1) shall not be counted in BUA to be handed over and shall be without charging premium for the provision of IH tenements.

“Provided that there shall be no obligation to construct IH tenements in the redevelopment project of any Co-operative Housing Society/federation of societies/association/condominium/apartment owner’s association in which the carpet area of all existing individual residential tenements does not exceed 80 sq. m.

Provided further that, if existing carpet area of some of the residential tenements, in Co-operative Housing Society/federation of societies/association/condominium/ apartment owners association is more than 80 sq. m, then the obligation to hand over the BUA in the form of IH tenements/plot area would be proportionate to the ratio of BUA of such tenement having carpet area more than 80 sq. m and existing BUA, otherwise required as per this Regulation considering plot area.

This provision shall not apply to redevelopment of individual bungalows in Bungalow Scheme. However, this provision shall be applicable if redevelopment in Bungalow Scheme or plot having area more than 4000 sq. m. under layout is proposed,

There shall be no obligation to construct IH tenements in accordance with these provisions in redevelopment project under Regulation No. 33(2),33(3)(A), 33(3)(B) 33(5),33(6),33(7),33(7)(A),33(8), 33(9), 33(9)(A), 33(9)(B), 33(10), 33(10)(A), 33(11), 33(20),development under Regulation No 35 and specified under Regulation No. 14(B) as well as any Housing scheme or residential development project wherein owing to the relevant provisions of the DCPR, more than 20% of the Zonal (basic) FSI is required to be utilized towards construction of residential EWS/LIG tenements and development of land situated in SDZ as per the regulation no 33(8) and also for the development/redevelopment of any land owned by the Govt. or Semi-Govt. Organization, provided such development / redevelopment is undertaken by Govt. or Semi-Govt. organization itself

(3) Amalgamation of IH plots/IH tenements shall not be allowed.

(4) After layout approval, the area may be further subdivided if necessary, to earmark separate plots for the IH component and the other component. The Plot area and the BUA in terms of square meters on the said plot shall be separately mentioned in the lease agreements and Record of Rights. The CTSO/SLR, of the district on payment of such fees as may be decided by the Govt. ensure that the City Survey sheet and property cards are corrected accordingly and fresh property cards are opened for each of the plots giving details regarding the area of the plots and the total area of the floors of the built-up property and TDR given that is, the FSI used on that plot.

#### **16. Road/Road Widening**

The Owner shall hand over the area required for road widening or roads proposed under the DP or the MMC Act, 1888 to MCGM free of cost and free of encumbrances by leveling the land to the surrounding ground level and after constructing 1.5 m. high compound wall leaving the setback area as directed by the Commissioner.

Thereafter, the road land shall be transferred in the Revenue records (P.R. Card) in the name of the Corporation and shall vest in it becoming part of a public street as defined in sub-section (3) of section 288 of the MMC Act, 1888. The FSI / TDR in lieu of land so surrendered shall be permissible as per Regulation 30 & 32 except in respect of proposal processed under Regulation No.33(5) ,33(7) ,33(7)(A), 33(9), 33(9)(A), 33(9)(B), 33(10), 33(10)(A), 33(20)(A),33(21).

In case where the development of plot/layout is already completed in all respects and the road is proposed to be widened subsequently as per the sanctioned road line prescribed under MMC Act 1888, plot owner shall be entitled for BUA as per the Zonal (basic) FSI/TDR of plot so surrendered to MCGM/ Appropriate Authority free of cost / without monetary compensation and free of encumbrances as decided by the Competent Authority.

Herein after, wherever flyover are constructed by Govt./MCGM/Appropriate Authority, the same shall be provided with noise barriers as defined in Regulation No. 2(IV)(85) wherever necessary.

#### **17 (1) Development of Reserved land for Public Purposes**

Reservations which shall be exclusively developed by the MCGM or the Appropriate Authority (acquired by way of monetary compensation or TDR or any other means), or by owner, wherever permissible, entirely for the intended purpose are described in Table Nos. 4 & 5 with appropriate conditions or allow owner to develop under Accommodation Reservation (AR) subject to conditions mentioned below & further as described in Table No.5

##### **Conditions for Development of reserved land under Accommodation Reservation (AR)**

##### **1) For plot having reservation area 1000 sq. m. or more**

i. The owner will be allowed to develop the land if he agrees to construct BUA equivalent to 'X'% of Basic (zonal) FSI and agrees to hand it over to MCGM/Appropriate Authority in lieu of FSI/TDR, as specified in this regulation along with 'Y'% of area of reserved plot, free of cost as per the designs, specifications, terms and conditions duly approved by the Commissioner.

ii. The owner will be entitled to avail the permissible BUA of Y % of reserved plot for other permissible uses in the zone under these Regulations on the remaining land [(100- 'Y') % of the land] as permitted under this regulation.

iii. The values of 'X' and 'Y' for the respective reservations as mentioned in Sr. No. i and ii above are given in Table No.5 below.

iv. The construction of built up amenity (with all requirements as per the provisions of these Regulations) to be handed over to MCGM along with the land as stated above under AR may be allowed to be developed in independent building/semi-detached to the structures of other permissible development on the same plot or layout proposed by the owner/developer on the remaining land. The ownership of such plot along with BUA to be handed over to MCGM shall vest with MCGM. Immediately an application to Revenue Authority for making a mutation entry shall be submitted by owner/developer. Thereafter, Commissioner shall also take up the matter with Revenue department for the necessary mutation entry. Revenue department shall enter in other rights column a mutation entry of plot along with BUA handed over to MCGM and correct the revenue records accordingly on receipt of such intimation and on payment of such fees by owner as may be decided by the Government. A separate property register card thereof in the name of MCGM shall be submitted by owner before seeking Occupation Certificate for any part of building/buildings beyond 75% of permissible BUA as per Zonal (basic) FSI or granting Occupation Certificate to any of the building, other than amenity whichever is earlier.

**2) For plot having reservation area less than 1000 sq. m**

i) (a) The owner may exercise the option to construct BUA equivalent to 'X'% of Basic (zonal) FSI and agrees to hand it over to MCGM/Appropriate Authority in lieu of FSI/TDR, as specified in this regulation along with 'Y'% of area of reserved plot, free of cost as per the designs, specifications, terms and conditions duly approved by the Commissioner as per 1) above.

or

(b) (i) The owner will be allowed to develop the land if he agrees to construct BUA equivalent to 'X'% of Zonal (basic) FSI and agrees to hand it over to MCGM without insistence of separate plot as mentioned in the table no 5 subject to payment of premium at the rate as specified in the note no. 20 (i) below table 5 or at the rate as may be decided by Government and amended from time to time, for the optional non handing over Y% of area of reserved plot and following conditions ii) and iii).

ii) The construction of built up amenity (with all requirements as per the provisions of these regulations) to be handed over to MCGM as stated above under accommodation reservation may be allowed to be developed in independent building/wing/semi-detached to the structures/in the building premises of other permissible development proposed by the owner/developer, preferably with independent access.

iii) The ownership of such BUA to be handed over to MCGM/Appropriate Authority shall vest with MCGM/Appropriate Authority. Immediately an application to Revenue Authority for making a mutation entry shall be submitted by owner/developer. Thereafter, Commissioner shall also take up the matter with Revenue department for the necessary mutation entry. Revenue department shall enter in other rights column a mutation entry of BUA handed over to MCGM in property register card/Revenue records. On receipt of such intimation and on payment of such fees by owner as may be decided by the Government, Revenue department shall correct the revenue records accordingly. The owner shall submit property register card with the mutation entry before seeking Occupation Certificate for any part of building/buildings beyond 75% of permissible BUA as per Zonal (basic) FSI or granting Occupation Certificate to any of the building, other than built up amenity whichever is earlier.

3)The Commissioner may entrust the operation and maintenance of such developed amenity to an appropriate agency as per the prescribed guidelines.

4)In cases, where proposals are already approved as per the provisions of Regulations in force prior to these Regulations, the lands/BUA which are required to be handed over to MCGM or the Appropriate Authority, as the case may be, for public purpose, as per the provisions of regulations in force prior to these Regulations, such lands/BUA shall be deemed to be reservations/ existing

amenity of DP and shall be developed for the intended purposes, even if such reservations/ existing amenity/amenities are not reflected on the DP.

5) Constructions required for ingress and egress of passengers using Public Mass Transit Facilities shall be permitted on any land reserved/ existing amenity for any public purpose irrespective of its permissibility given in any land use classification.

**Table No: 3**

**Common set of conditions for development of Reservations and Authority/Person who may develop Reservation**

Symbol	Applicable Conditions for Development
1	The Corporation or Appropriate Authorities may entrust the development, operation and maintenance of the entire reservation to an appropriate agency
2	The Owner will be allowed to develop the reservation only for its intended purpose
3	The Owner will be allowed to develop the reservation on Accommodation Reservation basis.
Za	Maximum % of plot area that can be used for ancillary uses.
Zb	Maximum % of permissible built up area as per Zonal (basic) FSI of the reservation area that can be used for ancillary users.
X	Maximum % of development rights, permissible at Zonal (basic) FSI, of the reservation area affecting the plot, to be constructed as built-up amenity/amenity for reservation under AR.
Y	Maximum % of reserved plot to be set aside for built-up amenity developed under AR and to be handed over to MCGM, along with the built-up amenity.

**Table No: 4**

**Reservations to be developed for the intended purposes along with permissible uses & ancillary activities.**

Sr. No	Reservation main Category	Reservation Sub Category		Users Permitted		Applicable conditions for development
		Code	Name	Permissible uses	Ancillary Activities	
1	Public Open Spaces	ROS1.2	Promenades	Coastal Road, Promenade/Promenades along periphery of water body/river/sea/pipeline	Watchman cabin, Gardener chowky, toilet block, Art and culture related uses, Public Toilet facilities	1
2		ROS2.3	Zoo	Zoo, Aquarium with permissible FSI of 0.025		1
3		ROS2.4	Municipal Sports Complex	Sports Complex for various or individual sports activity, Enclosed Sports Facility for indoor games, Facility for Indian sports, Gymnasium, Swimming Pool, Drama	Open air stage, cafeteria, restaurant, rest rooms, welfare activities, social and cultural activity\ amenities, Art and	1, Zb=15

Sr. No	Reservation main Category	Reservation Sub Category		Users Permitted		Applicable conditions for development
		Code	Name	Permissible uses	Ancillary Activities	
				Theater, Public Toilet facilities, Changing Rooms, Locker Room	culture related uses, hostel rooms and other ancillary facilities watchman's cabin, gardener's chowky, instrument room, Sport Store/Shop etc.	
4		ROS2.7	Green Belt	Green belt / Promenades and Substation, Distribution Facility	Watchman cabin, Gardener chowky, toilet block. (at suitable location)	
5		ROS2.8	Botanical Garden	Botanical Garden	Watchman cabin, Gardener chowky, toilet block. (at suitable location)	1
6	Public Utility and Facilities	RPU2.1	Fuel Station	Fuel filling station with vehicle washing, City gate station, Gas distribution station and battery charging facility.	Administrative area, Ancillary uses of ATM, book shop, cafeteria, canteen (without cooking with open flame) with subject to NOC from CFO and NOC from controller of Explosive.	1 or 2 Za=10 Zb=10
7	Social Amenities	RSA5.1	Exhibition Centre	Exhibition Center cum Convention Hall, along with other uses if any, such as, Organizers office, Protocol Lounge, VIP Lounge, Press Lounge, Registration Area, Pre-function Area, Canteen cum refreshment area, surveillance and security rooms, strong room, first aid and emergency response room with supporting activities as Hotels not less than 3-Star category, Food court, fine dining, restaurant area, shopping, ATM, recreation area, Art and culture related uses, Indoor games area, fitness center, fire services	Branch of a Bank, ATM, Information Kiosk, CFC, police chowky, etc.	1 or 2 Zb=10

Sr. No	Reservation main Category	Reservation Sub Category		Users Permitted		Applicable conditions for development
		Code	Name	Permissible uses	Ancillary Activities	
8		RSA 7.1	Film Studio/ TV Studio	Film Studio/ TV Studio/Dubbing & Recording Studio/ Preview Theater with administrative office, Art and culture related uses	ATM, shops, Dispensary, Canteen,	1 or 2 Zb=10
9		RSA 8.1	Animal shelter	Animal shelter, shed for animals with animal eating & drinking facilities	Chowky & toilet block	1 or 2 Zb=10
10	Municipal Services	RMS3.2	Land Fill Site	Solid Waste Disposal, Facility, Land Fill Site		1, Za=10 Zb=10
11		RMS4.1	Sewage Treatment Plant/Facilities	Sewerage Treatment Plant, Aerated Lagoons, ETP & Allied Services along with other uses if any, such as Municipal Chowky, Municipal Store, Municipal Office, Workshop with Staff Quarters	Canteen, Dispensary Unit, Branch of a Bank	1, Za = 10, Zb = 10
12		RMS4.3	Sewage Pumping Station	Sewage Pumping Station along with other uses if any, such as, Municipal Chowky, Municipal Store, Municipal Office, Municipal Workshop, Staff Quarters	Canteen, Dispensary Unit, Branch of a Bank	1, Zb=10
13		RMS5.1	Reservoir	Water Reservoir, Overhead Service Reservoirs, Garden and Play Ground Pumping Station along with other uses if any, such as, Municipal Office, Municipal Chowky, Municipal Store, Staff Quarters	Canteen, Dispensary Unit, Branch of a Bank	1, Zb=10
14		RMS5.2	Water Pumping Stations	Water Pumping Stations along with other uses if any, such as, Municipal Office, Municipal Chowky, Municipal Store and Staff Quarters.	Canteen, Dispensary Unit, Branch of a Bank	1, Zb=10
15	RMS5.3	Water Treatment Plant	Water Treatment Facility and Allied Services, Municipal Chowky, Municipal Store, Municipal Office, Staff Quarters.	Canteen, Dispensary Unit, Branch of a Bank	1, Zb=10	

Sr. No	Reservation main Category	Reservation Sub Category		Users Permitted		Applicable conditions for development
		Code	Name	Permissible uses	Ancillary Activities	
16		RMS6.1	Storm Water Pumping Station	Storm Water Pumping Station		1, Zb = 10
17	Transport	RT1.2	State Transport Depot	State Transport Depot along with other uses if any, such as Tracks for Vehicle Testing, Regional Transport Office, Staff Quarters, Canteen.	Branch of a bank,	1, Zb=10
18		RT2.1	Water Transport Terminal	Water Transport Station Parking Lot for Public, Bus Stops, Sheds, Helipads, Repairing Facilities, Rickshaw and Taxi Parking	Canteen, ATM of bank, other ancillary uses with facilities for staff and visitors	1, Zb=15
19		RT2.2	Jetty	Jetty, along with other uses if any, such as, Office, Parking, Emergency Medical Centre	Other ancillary uses with facilities for staff and visitors	1, Zb=15
20		RAM	Reservation Amenity	Social/Education/Health services & facilities as decided by Municipal Commissioner considering deficiency in Amenity in ward/ Appropriate Authorities		1

Table No 5

Reservations to be developed for the intended purposes or as per Accommodation Reservation.

Sr No	Reservation main Category	Reservation Sub Category		Users Permitted		Applicable conditions for development
		Code	Name	Permissible uses	Ancillary Activities	
1		RE1.1	Municipal School	Primary school, Secondary School, Higher Secondary School, High School, College, Integrated School with hostel, Pre-School Centre, Nursery or other educational purposes Auditorium, art and culture	Other non-educational compatible uses such as branch of a Bank, Stationery Shop, Dispensary, Canteen,	1 or 2 or 3 Zb = 10 In case of 3 a) X= 50 b) Y=50

Sr No	Reservation main Category	Reservation Sub Category		Users Permitted		Applicable conditions for development
		Code	Name	Permissible uses	Ancillary Activities	
				related users After hours of principal uses, other educational / permitted uses including Aadhar Kendra with skill development centre, Yogalaya, welfare centre		
2	Education	RE1.2	Primary and Secondary School	Primary School, Secondary School, Higher Secondary School, High School, College, Integrated School with hostel, Pre-School Centre, Nursery or other educational purposes Auditorium and art and culture related users. After hours of principal uses, other educational / permitted uses including Aadhar Kendra with skill development centre, Yogalaya, welfare centre	Other non-educational compatible uses such as branch of a Bank, Stationary Shop, Dispensary, Canteen,	1 or 2 or 3 Zb = 10  In case of 3 a) X= 50 b) Y=50
3		RE1.3	Special School	Institute for Differently able, hostel or other educational purposes, Auditorium. Other facilities for children with special needs, such as soft play areas, sensory rooms or swimming pools which are necessary for treating students with certain conditions. After hours of principal uses other educational / permitted uses including Aadhar Kendra with skill development centre, Yogalaya, welfare centre	Other non-educational compatible uses such as branch of a Bank, Stationary Shop, Dispensary, Canteen.	1 or 2 or 3 Zb = 10  In case of 3 a) X= 50 b) Y=50



Sr No	Reservation main Category	Reservation Sub Category		Users Permitted		Applicable conditions for development
		Code	Name	Permissible uses	Ancillary Activities	
4		RE2.1	Higher Education	Primary School, High School, Bachelors and higher degree colleges including Technical, Medical, Architecture, Management Institutions with/without hostel, hostel for Girls student or other educational purposes auditorium and art and cultural related users. After hours of principal uses, other educational / permitted uses including Aadhar Kendra with skill development centre, Yogalaya, welfare centre	Sports Center, Gymnasium, Canteen, Banks, Post Office, Dispensary, Shops.	1 or 2 or 3 Zb = 20 In case of 3 a) X= 50 b) Y=50
5		RE3.1	Other Education	Primary School, Secondary School, Higher Secondary School, High School, College, Integrated School General College Vocational Training Institutes Training Centre, Industrial Training Institute, etc., Medical College (Including General Hospital), Sports School, Skill Development Center, Hostel, or other educational purposes, Auditorium and art and culture related uses. After hours of principal uses other educational / permitted uses including Aadhar Kendra with skill development centre, Yogalaya, welfare centre	Sport Center, Gymnasium, Canteen, Banks, Post Office, Dispensary, Shops.	1 or 2 or 3 Zb = 20 In case of 3 a) X= 50 b) Y=50
6			Urban Planning Institute	Urban Planning, Environmental Planning and other related Institutes Viz. Transportation, Housing, Public Policy, Infrastructure	Sports Center, Gymnasium, Canteen, Banks, Post Office,	1 or 2 or 3 Zb = 20 In case of 3

Sr No	Reservation main Category	Reservation Sub Category		Users Permitted		Applicable conditions for development
		Code	Name	Permissible uses	Ancillary Activities	
7		RE 4.1		Planning, GIS and Geography with/without hostel facilities and art and culture related uses	Dispensary, Shops.	a)X=50 b)Y=50
		RE 4.2	Medical Institute	Institutes for Medical Institutions Education as defined by Medical Council of India with/without hostel facilities, and art and cultural related uses	Sports Center, Gymnasium, Canteen, Banks, Post Office, Dispensary, Shops.	1 or 2 or 3 Zb = 20 In case of 3 a) X= 50 b) Y=50
		RE 4.3	Financial Institute	Institutes devoted to the study of Financial, Economics and such other field with/without hostel facilities and art and culture related uses	Sports Center, Gymnasium, Canteen, Banks, Post Office, Dispensary, Shops.	1 or 2 or 3 Zb = 20 In case of 3 a)X=50 b)Y=50
9		RE 4.4	Other Institutes	Institutes for Art, Culture, Fine Arts, Social education with/without hostel facilities and art and culture related uses Research & Testing laboratories.	Sports Center, Gymnasium, Canteen, Banks, Post Office, Dispensary, Shops.	1 or 2 or 3 Zb = 20 In case of 3 a)X=50 b)Y=50
10		RH1.1	Municipal Dispensary / Health Post	Dispensary, Health Post, Urban Primary Health Centre, Urban Community Health Centre, Pathology Lab, Physiotherapy etc.	Nurses Quarter Post-Partum center, Recovery centers, Generic Medicine dispensing facility. Medical Stores/Shops, Public toilet facilities	1 or 2 or 3 Zb =30 In case of 3 a) X= 50 b)Y=40
11		RH1.2	Hospital	Hospital, Dispensary, Maternity Home, Municipal Health Facility, Diagnostic centre, Rehabilitation Centre, Peripheral / General Hospital, Specialty Hospital, Multi-specialty / Tertiary Hospital, Peripheral / Intermediate Hospital, Dharmashala.	Nurses and other staff Quarters, Care taker Shelters, Generic Medicine dispensing facility and built up area of commercial uses such as Branch of a bank, Medical Stores/Shops, Public toilet facilities shall	1 or 2 or 3 Zb =30 In case of 3 a) X= 50 b)Y=40

Sr No	Reservation main Category	Reservation Sub Category		Users Permitted		Applicable conditions for development
		Code	Name	Permissible uses	Ancillary Activities	
					not exceed 10% of the Zonal (basic) or 5% of permissible FSI whichever is more	
12	Health	RH1.3	Municipal Maternity Home	Maternity Hospital, Dispensary, Post-Partum Centre, Recovery Centre, Rehabilitation Centre, Physiotherapy Centre.	Nurses and other staff Quarters, Care taker Shelters for staff, Generic Medicine dispensing facility and built up area of commercial uses such as Medical Stores / Shops &. Public toilet facilities shall not exceed 10% of the Zonal (basic) FSI	1 or 2 or 3 Zb =30  In case of 3 a) X= 50 b)Y=40
13		RH3.1	Rehabilitation Centre	Rehabilitation Centre, Dispensary, Health Post, Physiotherapy Centre Sanitarium, Hospice etc.	Nurses and other staff Quarters, Generic Medicine dispensing facility, Commercial uses such as Medical Stores/Shops& Public toilet facilities.	1 or 2 or 3 Zb=20  In case of 3 a)X=50 b)Y=40
14		RH3.4	Veterinary Hospital	Veterinary hospital	Other compatible uses, Medical Stores/Shops	1 or 2 or 3 Zb=20  In case of 3 a)X=50 b)Y=40
15		Public Open Spaces	ROS1.4	Play Ground	Play Ground	Art and culture related uses, Vipassana/ yoga Watchman cabin, Gardener chowky, toilet block.

Sr No	Reservation main Category	Reservation Sub Category		Users Permitted		Applicable conditions for development
		Code	Name	Permissible uses	Ancillary Activities	
16		ROS 1.5	Garden/ Park	Garden, Parks, Botanical Garden, Children Park with Waking Track, Wooded Areas Water Body	Art and culture related uses, Vipassana/ yoga meditation, Watchman cabin, Gardener chowky, toilet block.	1 or 3 In case of 3, Y=70 and minimum area of reserved plot shall be 1000 sq. m
17		ROS2.1	Club/ Gymkhana	Club/ Gymnasium/ Yogalaya, swimming pool	Art and culture related uses, Vipassana/ yoga meditation, Watchman cabin, Gardener chowky, toilet block.	1 or 2 or 3 In case of 3 a)X=50 b)Y=40
18		ROS2.5	Sports Complex/Stadium	Sports Complex for various or individual sports activity, Enclosed Sports facility for indoor games, Facility for Indian sports, Gymnasium, Swimming Pool, Changing Rooms, Locker Room	i) Hostel rooms and other ancillary facilities, welfare activities, social and cultural activity /amenities, watchman's cabin, gardeners chowky, instrument room. Art and culture related uses, etc. ii) Banks, Restaurants rest rooms, Sport Store/Shop.	1 or 2 or 3 a) Za= 25 b)Zb= 50 In case of 3 Y=70 and minimum area of reserved plot shall be 50000 sq. m.
19	Housing	RR1.1	Municipal Staff Quarters	Municipal Staff Quarters, Municipal chowky, Administrative area		1 or 3, Zb=10 In case of 3 a) X=50 b) Y=40

Sr No	Reservation main Category	Reservation Sub Category		Users Permitted		Applicable conditions for development
		Code	Name	Permissible uses	Ancillary Activities	
20		RR1.2	Police Staff Quarters	Police Staff Quarters with Police Station		1 or 3, Zb=10 In case of 3 a) X=50 b) Y=40
21		RR1.3	Government Staff Quarters	Govt. Staff Quarters, Administrative Area		1 or 3, Zb=10 In case of 3 a) X=50 b) Y=40
22		RR 1.5	Municipal Housing	Municipal Housing/ Municipal facilities, Rehabilitation of PAPS		1 or 3, In case of 3 a) X=50 b) Y=40
23		RR1.6	Police Housing	Police Housing		1 or 3, In case of 3 a) X=50 b) Y=40
24		RR1.7	Government Housing	Government Housing, Staff Quarters, Guest House/ Hostel		1 or 3, In case of 3 a) X=50 b) Y=40
25		RR2.1	Rehabilitation & Resettlement	Rehabilitation Tenements.		1 or 3, In case of 3 a) X=50 b) Y=40
26		RR2.2	Affordable Housing	Affordable Housing		1 or 3, In case of 3 a) X=50 b) Y=40

Sr No	Reservation main Category	Reservation Sub Category		Users Permitted		Applicable conditions for development
		Code	Name	Permissible uses	Ancillary Activities	
27		RR3.1	Koli Housing	Koli Housing	Art and Culture related uses,	1 or 3, In case of 3 a) X=50 b) Y=40
28	Public Utilities & Facilities.	RPU 1.1	Fire Station	Fire Brigade Station, Training center, staff quarters, Municipal office.		1 or 3, In case of 3 a) X=50 b) Y=50
29		RPU 3.1	Police Station	Police station, Police Chowky, lock up Facility, Canteen, Toilet Blocks, Rest Rooms, Residential Quarters	Branch of Bank, Bill payment Kiosk	1 or 3 Zb=10 In case of 3 a) X=50 b) Y=40
30		RPU 3.2	Police Chowky	Police chowky, Toilet Blocks, Rest Rooms		1 or 3, In case of 3 a) X=50 b) Y=40
31		RPU3.3	Correction Facilities	Jail, Juvenile Home, Police Station etc.	Bank ATM	1 or 3 Za= 10 Zb=10 In case of 3 a) X=50 b) Y=40
32		RPU3.4	Police Facilities	Police Station, Police chowky, Lockup Facility, Canteen, Toilet Blocks, Rest Rooms, Residential Quarters, Marching ground, court, Fuel Station for Police Facilities	Canteen, branch of a bank, stationary shop, meeting rooms for lawyers, photo copying shop	1 or 3 Zb=15 In case of 3 a) X=50 b) Y=40
33		RPU 3.5	Courts	Court, along with other uses if any, such as Library, Canteen, Meeting Rooms	Branch of a bank, stationary shop, cafeteria,	1 or 3, Zb=10 3 subject

Sr No	Reservation main Category	Reservation Sub Category		Users Permitted		Applicable conditions for development
		Code	Name	Permissible uses	Ancillary Activities	
				for Lawyers, Administrative Office, judicial quarters	Photocopying shop, book store	to NOC from Law and Judiciary Department. In case of 3 a) X=50 b) Y=40
34		RPU4.1	Post & Telegraphic Office	Post & Telegraphic Office along with other uses if any, such as Staff Quarters	ATM of a Bank, Information Kiosk, CFC, police chowky, electric/telephone bill payment center etc.	1 or 3, Zb =10 In case of 3 a) X=50 b) Y=40
35		RPU5.2	Electricity Transmission & Distribution Facility	Sub Station, Receiving station, Bill Collection Centres, Administrative Office	Emergency/essential staff quarters	1 or 3 Zb=20 In case of 3 a) X=50 b) Y=40 and minimum area of reserved plot shall be 1000 sq. m
36		RPU 6.1	Service Industrial Estate	Service industrial users, shop/commercial user permitted in service industrial Estate		1 or 3, In case of 3 a) X=50 b) Y=40
37	Public Offices	RO1.3	Municipal Office	Municipal Office along with other uses if any, such as Staff Quarters, Disaster Management Facility	ATM of a Bank, Information Kiosk, CFC, police chowky, electric/ telephone bill payment center, Public toilet block.	1 or 3, Zb =10 In case of 3 a) X=50 b) Y=40

Sr No	Reservation main Category	Reservation Sub Category		Users Permitted		Applicable conditions for development
		Code	Name	Permissible uses	Ancillary Activities	
38		RO2.1	Government Office	Government Office along with other uses if any, such as Staff Quarters	ATM of a Bank, Information Kiosk, CFC, police chowky, electric/ telephone bill payment center etc.	1 or 3, Zb =10 In case of 3 a) X=50 b) Y=40
39		RO3.1	Disaster Management Facility	Administrative Office, Storage facility for materials/goods, Fire Station, Medical aid, any ancillary/ Training Centre for Disaster Management/Municipal/Govt. office/Home guard station & facilities thereof	Canteen, dispensary, ATM, Public toilet facilities.	1 or 3, Zb =10 In case of 3 a) X=50 b) Y=40
40		RSA1.1	Municipal Market with Vending Zone	Markets for fruits and vegetables, Flower, Fish, weekly Markets, Organized informal Market and Shops for Rehabilitation of PAP's if required (Min.15%vendingarea of which 50% for women)	Municipal office, Police chowky, Drama theatre, reading rooms, Branch of Bank, Refuse shed, Public toilet facilities.	1 or 3. Zb =30. In case of 3, a) X = 50 b) Y = 50
41		RSA1.2	Retail Market with Vending Zone	Markets for Fruits and vegetables, Flower, Fish and Shops for Rehabilitation of PAP's if required (Min. 15% vending area of which 50% for women)	Reading rooms, Branch of Bank, Public toilet facilities	1 or 2 or 3. Zb =20. In case of 3, a) X = 50 b) Y = 50
42		RSA2.1	Multi-Purpose Community Centre	Community Centre, Student Hostel, Dormitories, Library, reading Rooms, Study Rooms for Students, Public toilets, Community hall, exhibition hall	Art and cultural related users, Banks, Restaurants, bill payment kiosk, Citizen Facilitation Centre	1 or 2 or 3 Zb =30 In case of 3 a) X= 50 b) Y= 50
43		RSA2.7	Students Hostel	Students Hostel including quarters for faculty and staff	Other non-educational compatible uses such as branch of a Bank, Stationary Shop, Dispensary, Canteen	1 or 2 or 3 Zb =30 In case of 3 a) X = 50 b) Y = 50



Sr No	Reservation main Category	Reservation Sub Category		Users Permitted		Applicable conditions for development
		Code	Name	Permissible uses	Ancillary Activities	
44	Social Amenities	RSA2.9	Homeless Shelter	Night Shelter, Home for Destitute, Dormitory with toilet facility & other ancillary Facility	Dispensary, Watchman's cabin	1 or 2 or 3. Zb = 10 In case of 3 a) X= 50 b) Y= 50
45		RSA3.3	Cultural Centre/Drama Theatre/Theater	Cultural Centre/Drama Theatre Open Air Theatre, Art Gallery, Aquarium, Auditorium along with other uses if any, such as rest room, make-up room, welfare activity center, Parking Lot	Recording rooms, dubbing rooms, restaurant, café, Reading halls, Library, hostel rooms for artists	1 or 2 or 3 Zb=30 In case of 3 a) X=50 b) Y=50
46		RSA3.5	Museum	Museum, Art Gallery, Exhibition Hall, Display Hall	Auditorium, Drama Theatre	1 or 2 or 3 Zb=30 In case of 3 a) X = 50 b) Y = 50
47		RSA3.6	Art Gallery	Art and cultural facilities	Public Toilet facilities, ATM	1 or 2 or 3 Zb=10 In case of 3 a) X=50 b) Y=50
48		RSA3.7	Leisure Park	Garden, Semi Open areas, Food stalls with temporary roofing facility, Food courts with temporary roofing facility, Open spaces, Children play area, Art display area, Cultural spaces, Amphitheatres, water sports facility etc.	Watchman cabin, Gardener chowky, Public toilet facilities.	1 or 3 In case of 3 Y=70
		RSA4.8	Cemetery	Cemetery, Cremation Ground, Burial Ground, Electric/gas/Diesel/Petrol Cremation Unit, Pyre shed	Storage for Wood, Facilities for Mourners , For Performing Rituals, Prayer Hall, Religious Facility, Water Body	1 or 3 Zb=15 In case of 3, Y=70and minimum area of

Sr No	Reservation main Category	Reservation Sub Category		Users Permitted		Applicable conditions for development
		Code	Name	Permissible uses	Ancillary Activities	
49					etc.	reserved plot shall be 1000 sq. m.
50		RSA4.9	Old Age Home	Dormitories along with other uses if any, Health Clinic, Canteen, Recreational Area, Office, Day Care Centre For Elders, Geriatric Care Centre, Activity Room, Day Care for Children	Branch of a bank, ATM, shops, Dispensary,	1 or 2 or 3 Zb=10 In case of 3 a) X=50 b) Y=40
51		RSA5.2	Multi-Purpose housing for working Women	Hostel, Dormitories and guest rooms for working women, for women in distress, single Women/Student, dormitories for women, activity room. Balwadi, Day Care for children, Old Age people, Counseling Centre, Care centre shall not be more than 10% of the zonal basic FSI.	ATM, shops, Dispensary,	1 or 2 or 3 Zb=10 In case of 3 a) X=50 b) Y=40
52		RSA6.1	Care Centre	Care centre for Children and Women, Children Play area, Reading area, activity area	ATM, shops, Dispensary	1 or 2 or 3 Zb=10 In case of 3 a) X=50 b) Y=40
53		RSA6.2	Adhar Kendra with skill development centre	Women Skill Development Centre & Livelihood Centre, Municipal Purpose	Art and culture related uses, ATM, CFC	1 or 2 or 3 Zb=10 In case of 3 a) X=50 b) Y=40
54		RSA6.3	Public Convenience	Public Toilet, Toilet for Women, Rest Rooms, Drinking Water Hubs		1 or 2 or 3 In case of 3 a) X= 50 b) Y = 40

Sr No	Reservation main Category	Reservation Sub Category		Users Permitted		Applicable conditions for development
		Code	Name	Permissible uses	Ancillary Activities	
55	Municipal Services	RMS1.1	Road Depot	Municipal Material Depot, Municipal Labour Chowky, Store, Workshop, Municipal Office	Public Toilet facilities	1 or 3, In case of 3 a) X=50 b) Y=40
56		RMS1.2	Municipal Chowky	Municipal Labour Chowky, Material Depot, Store, Workshop, Municipal Office	Public Toilet facilities	1 or 3, In case of 3 a) X=50 b) Y=40
57		RMS1.3	Municipal Facilities	Municipal Workshop, Municipal Central Store, Municipal Labour Chowky, Material Depot, Store, Municipal Office	Public Toilet facilities	1 or 3, In case of 3 a) X=50 b) Y=40
58		RMS2.1	Transport Garage	Transport Garage, Repair Garage, Store, Related Municipal Office, Municipal Chowky, Municipal Office, Workshop	Auto-parts shop, ATM of bank, canteen, municipal store, Public Toilet facilities	1 or 3, Za= 10 Zb=10 In case of 3 a) X=50 b) Y=40
59		RMS3.1	Solid Waste Management Facilities and Allied Activity	Refuse Shed, Solid Waste Sorting Center, Refuse Transfer Station, Municipal Chowky, Municipal Office, Municipal Store, Refuse Compactor, Rest Rooms, Workers or Rag Picker Shed and PSC Block		1 or 3 In case of 3 Y=60 and minimum area of reserved plot shall be 1000 sq. m.
43 60		RMS3.3	Scrap Yard	Scrap Yard	ATM of bank, canteen, store,	1 or 3, Za= 10 Zb=10 In case of 3 a) X=50 b) Y=40

Sr No	Reservation main Category	Reservation Sub Category		Users Permitted		Applicable conditions for development
		Code	Name	Permissible uses	Ancillary Activities	
44 61		RMS5.5	Hydraulic Engineering Store/Office	Municipal Store, Municipal Office, Municipal Chowky, Pumping station, Workshop with staff quarters	ATM, Information Kiosk, CFC, Public Toilet facilities	1 or 3 Za= 10, Zb=10 In case of 3 a) X=50 b) Y=40
62	Primary Activity	RP1.1	Fish & Net Drying yards	Fish & Net Drying yards, fish drying related industries along with other uses if any, such as, diesel storage, Fish Godown, Fishing Related Industry	Art and culture related uses, Footstalls/ Restaurant, Bank Branch	1 or 2 or 3 a) Za= 15 b) Zb=15 In case of 3, Y=70and minimum area of reserved plot shall be 1000 sq. m.
63		RP2.1	Dhobi Ghat	Art and culture related uses	Public Toilet facilities	1 or 2 or 3 Za= 10, Zb=10 In case of 3 a) X=50 b) Y=40
64	Transport	RT1.1	Truck Terminus	Truck Terminus, along with other uses if any, such as Workshop, Store, Garage, Dormitory with toilet and bath	Restaurant, Branch of Bank, ATM, Information Kiosk, CFC, Police Chowky, PSC	1 or 2 or 3, Za= 10 Zb=10 In case of 3 a) X=50 b) Y=40
65		RT1.4	BEST Bus Facilities	BEST Bus Depot, BEST Bus Station, Parking Lot for Public, Bus Stops, Sheds, Helipads without affecting traffic, Essential staff	Cafeteria, Canteen, Police Chowky, CFC, ATM of a Bank,	1 or 3, Zb=10 In case of 3 a) X=50

Sr No	Reservation main Category	Reservation Sub Category		Users Permitted		Applicable conditions for development
		Code	Name	Permissible uses	Ancillary Activities	
				quarters for operational uses Rickshaw and Taxi Parking and Administrative office, fuel station		b) Y=40
66		RT1.6	Parking Lot	Parking Lot, Municipal Chowky	PSC Security Chowky	1 or 3 Zb=10 In case of 3 X= 125
66 A		RT3.1	Metro/Mono Rail Car shed	Metro/Mono Car Shed, along with other uses if any, such as, material Depot Store, Workshop, Office.	As may be decided by MMRDA or Appropriate Authority	1 or 3 (Y= 50 )
67	Other Education	RE3.1	Industrial Training Institute/ Centre	ITI as per the Norms prescribed by the concerned Technical Authority (Inclusive of provision for required parking space) for the designated amenity.	Art and culture, Cafeteria, Canteen, ATM of a Bank	1 or 3 Zb=10 In case of 3 a) X= 50=% b) Y=40%
68	Higher Education	RE2.1	National Law University of Maharashtra	Education etc.	As per requirement ancillary to law University	1 or 3 (Y= 50)

**Note: -**

1 a) The plot area to be handed over to MCGM/Appropriate Authority under AR shall be deducted from the plot area for the purpose of calculation of full permissible BUA under these regulations except in respect of proposal processed under Regulation No 33(5) ,33(7), 33(7)(A), 33(8), 33(9), 33(9)(A), 33(9)(B), 33(10), 33(10)(A), 33(20)(A), 33(21).

b) The BUA handed over to MCGM shall be free of FSI and balance plot will be allowed to be developed as per these Regulations, without taking into account said BUA so handed over

c) BUA of staircase, lift & lift lobby and BUA permissible free of FSI as per the provisions of Regulation no 31(1) shall not be counted in BUA to be handed over to MCGM and the same shall be without charging premium for the provision of built up amenity under AR.

d) The developer/owner shall be entitled for the BUA/TDR in lieu of cost of construction of built up amenity under AR as follows:

BUA/TDR in lieu of cost of construction of built up amenity handed over under AR

= 1.50 (Rate of construction per sq. m as per ASR rate/Rate of developed land per sq. m as per ASR)  
 \* BUA of constructed built up amenity handed over under AR.

- e) In case of Sr. No.66(PPL), the incentive BUA shall be 50% of the above cited BUA as calculated above.
- f) No separate compensation shall be given for areas under Regulation No.31 (1). BUA for the construction of staircase/lift/staircase and lift lobby & other areas as per 31(1) shall not be counted in BUA to be handed over and shall be without charging premium for built up amenity under AR.
- g) In case of residential amenity for arriving at number of tenements, ratio of BUA to carpet area shall be considered as 1.2.
- h) The applicable rate of ASR shall be ASR rate of the year in which IOD/IOA is issued.
- i) The constructed built up amenity along with plot to be handed over to MCGM under AR shall have structural provisions for vertical extension in order to consume additional FSI permissible as per provisions of these Regulations in future.
- j) The Owner/Developer shall be eligible for grant of TDR against unutilized BUA including that of Zonal (basic) FSI.

Or

2) If the land is reserved as per the DP and owner desires to hand over the land without any encumbrances to MCGM/ Appropriate Authority, then he shall be entitled for the grant of TDR as per Regulation No 32.

Or

3) If the land reserved as per the DP is acquired by MCGM/Appropriate Authority, the Owner shall be entitled for the grant of TDR as per Regulation No 32 or monetary compensation.

4) The owner shall give advanced possession of the land wherever applicable (to be handed over) to MCGM/Appropriate Authority at the time of seeking Approval for Development of plot. It shall be responsibility of the land owner to clear all the encumbrances and complete the formalities towards transferring the land in the name of MCGM/Appropriate Authority. Proforma of possession receipt shall be as per Appendix V.

5) The area of built up amenity shall be counted in FSI initially and after handing over of said built up amenity the area of built up amenity shall be allowed free of FSI. Commencement Certificate in respect of BUA in lieu of the built-up amenity handed over to MCGM under AR can be granted only after handing over of such built up amenity.

6) In case where Principal and Ancillary users are not reflected in the above table but are compatible to the reservation development, such uses shall be permissible with the special permission of the Commissioner.

7) In case of development of the plot reserved for Public Open Spaces under AR as per Serial No. 15, 16, 18, 48 & 49 of Table No 5, the provisions of Regulation No.27 may not be insisted.

8) In case a reserved plot under Sr. No.1 of Table No 5 (Municipal School) is developed and run entirely by the private owner, then conditions, including admissions, stipulated by the Municipal Commissioner shall be applicable.

9) Where a private plot is notified by GOM or reserved in DP for infrastructure related facilities in respect of public transportation authorities (such as MRVC, MMRDA, BEST etc.) & specialized public amenity such as National Law University, the said authority shall have the option of acquiring plot under AR where 50% of plot shall be handed over to the authority. The balance plot will be available for development for the Owner as permissible under these regulations.

10) In case of social amenities, the built-up amenities received under AR will be made available by the MCGM to GOM for operation, either through its own departments or through other institutions, only for the intended purpose on terms & conditions as decided by GOM. MCGM shall have the option of running such facility wherever it decides to do so, by formulating the guidelines for the implementation.

11) In case of development, of unreserved plot, for the purposes mentioned in Table No 4 & 5, permissible uses and the ancillary activity as specified in Table No 4 & 5 will be permissible.

12) Structures constructed in existing POS, with due sanction of Competent Authority, before coming into force of these regulations stand protected.

13) Existing POS, with encumbered structures shall be cleared of the encumbrances and shall be maintained entirely for the intended purpose only and cannot be developed under any redevelopment scheme.

14) Existing Play Ground attached to Educational and Medical Institutions/Museum/Trust and under same ownership, shown as Existing playground in DP, shall not be subject to mechanical acquisition and shall be for the use of that Educational and Medical Institution/ Museum/Trust.

15) In case of development of plot affected by reservation under AR and where Appropriate Authority is other than MCGM, then NOC/remarks of the concerned Appropriate Authority shall be insisted before allowing development under AR. List of Appropriate Authorities is enclosed in Annexure 24

16) Public Open Spaces in K/E Ward:

In accordance with, Govt. of Maharashtra, Urban Development Department notification no TPB4392/4716/CR-181/92/UD-11(RDP) dated 12.11.1992: - 50% of the lands from CTS Nos 1483, 1491, 1495, 1496, 1497, 1500, 1503, CTS Nos 1420, 1437, 1445, 1448, 1439, 1457, 1443, 1485 and S No.110(pt.),117(pt.),118(pt.),122(pt.),123(pt.) of Village Sahar be reserved for the Park not to be acquired, as shown on DP and remaining 50% of the land be deleted and included in C Zone only for Hotel plus commercial purpose subject to condition that the parties should develop and maintain the parks and shall keep it open for general public during restricted hours or the owner may at his option handover 20% of this area to MCGM to be kept permanently open as Park/ Play Ground for General public without any compensation in any form and maintain rest of the Park as Park always. No FSI/TDR/Compensation in any form shall be allowed for the area kept permanently open as park and even for area to be handed over to MCGM

(17) Green belt (ROS 2.7) shall not be treated as reservation but it is the nature of restriction and shall not be subjected to acquisition.

(18) Play Ground reservation/ existing playground attached to Educational Institutions shown as reservation in DP, and owned by such educational Institution, shall not be subject to acquisition and shall be used as 40 % playground required for the existing Educational Institutions. Provided it shall also be accessible to the general public as per the policy.

(19) On development of the land as per accommodation reservation and on handing over and transferring the land along with the built up amenity to MCGM/Appropriate Authority the area of the plot along with the built up amenity shall be deemed to be existing amenity in the DP and the remaining land of the owner shall stand included in the land use zone.

Provided that when the development is composite and where it is not possible to hand over part of land to MCGM in such cases entire area shall be deemed to be marked as existing amenity with the + sign indicating other uses on the said plot.

(20) General conditions to allow development under above regulations: -

i) If the area of reservation is not adequate to construct independent building as mentioned above OR when it is not possible to handover individual plot along with public amenity, then in such cases Municipal Commissioner may allow composite building on said land subject to condition that the built up area mentioned as above may be allowed to be handed over to the Planning Authority or Appropriate Authority, as the case may be, preferably on ground floor and subject to premium at the rate of 35% and 40% of ASR of the developed land for the zonal (basic) FSI (In case of suburbs where FSI is 1 it shall be as per ASR of the developed land and in case of City it shall be 1.33 times of ASR of the developed land) for AH/R&R and for other reservations respectively or as may be decided by Government from time to time. If ground floor is utilized for parking, then the built up area mentioned above may be handed over on stilt/first floor with separate entry & exit from Public Street. In such cases, built-up area along with proportionate undivided share of land shall be handed over to the Planning Authority or Appropriate Authority, as the case may be. In such cases no compensation of proportionate undivided land share shall be permissible to the land owner/ developer.

ii) It shall be obligatory on Municipal Commissioner to make registered agreement with the developer /owner at the time of granting the development permission subject to terms and conditions as it deem fit. Occupancy Certificate shall be issued only after compliance of all terms & conditions and getting possession of the constructed amenity.

iii) The above permissions for development of reservations shall be granted by the Municipal Commissioner as per the norms mentioned in these regulations.

iv) The area / built-up area to be handed over to the Planning Authority under these Regulations shall be earmarked on the sanctioned building plan clearly mentioning the same, and registered agreement to that effect shall be executed. After completion of construction, the said amenity shall be handed over by executing the deed of transfer in this respect and expenses thereon shall be borne by the owner. The occupation certificate to the construction belonging to owner shall be granted only after handing over said amenity to the Planning Authority. The constructed amenity shall be made available to the general public by the Municipal Commissioner within 6 month from possession as per the condition as the Municipal Commissioner may deem fit.

v) In cases, where permission for development under accommodation reservation principle is already granted as per earlier regulations, the same shall continue to be valid as per provisions of Regulation 9(5).

vi) Provisions of Regulations of Inclusive Housing, Amenity Space if any, shall not be applicable for development of reservation under this Regulation.

vii) Not withstanding anything contained in these regulations, for development under Accommodation Reservation (AR) there shall be no cap on remaining Plot for utilization of permissible FSI as per column 7 of Table 12, regulation 30(A) 1 of the plot to be handed over to MCGM/ Appropriate Authority.

viii) Not withstanding anything contained in these regulations for development under Accommodation Reservation (AR) there shall be no cap for utilization of in-situ FSI/TDR potential/ additional FSI on payment of premium, in view of plot to handed over to MCGM/ appropriate Authority. If developed reservation is transferred in the name of MCGM within 5 years or such extended period as may be specified by Government, following (a) (b) (c) shall apply.

a) In case of reservation area less than or equal to 5 ha, additional BUA equal to area of the plot so transferred to MCGM/Appropriate Authority, free of cost and free of encumbrances, shall be permissible over and above the permissible FSI as per regulation 30(A), except in respect of proposals under Regulation No 33(5), 33(7), 33(7)(A), 33(8), 33(9), 33(9)(A), 33(9)(B), 33(10),



33(10)(A), 33(20) (A), 33(21).

b) In case of reservation area more than 5 ha, additional BUA equal to 50% of area of the plot so transferred to MCGM/Appropriate Authority, free of cost and free of encumbrances, shall be permissible over and above the permissible FSI as per regulation 30(A) with prior approval of Government, except in respect of proposals under Regulation No 33(5), 33(7), 33(7)(A) 33(8), 33(9), 33(9)(A), 33(9)(B), 33(10), 33(10)(A), 33(20) (A), 33(21).

c) The open space deficiency at the rate of 10% of Normal premium or 2.5% of the rate of land as per ASR (for FSI 1) whichever is higher shall be charged for the building on the remainder plot of reserved area.

ix) Once sanction is granted under this regulation, the owner /developer shall have to complete the development and hand over the developed reservation to Planning Authority within the period as specified by the Municipal Commissioner. The Municipal Commissioner may levy penalty for delay if any.

x) in case of composite development of Constructed amenity under AR as per Regulation 17(1), the open space deficiency for the building of owner's share to the extent of development on reserved area, shall be charged at the rate of 10% of normal premium or 2.5% of RR rate of land as per ASR (for FSI 1) whichever is higher

(21) The existing amenity can be allowed by the Municipal Commissioner to be retained and run by the Owner, then the owner shall be allowed to develop the remaining site, up to the full permissible FSI of the plot under reservation by taking into account the FSI utilised for the construction of the amenity building.

Provided that in specific cases, where a clearly demonstrable hardship is caused and it is not possible to develop and /or handover individual plot along with built-up amenity, then in such cases Municipal Commissioner may allow composite development on the said land subject to condition that the built up area mentioned as above may be allowed to be develop and / or handed over to the Public Authority as the case may be preferably in separate structure / wing or on the ground floor or composite building. If ground floor is utilized for parking then on stilt / above floors with separate entry and exit from Public Street. In such cases the Municipal Commissioner may recover the cost of 40 % land area as per prevailing Ready Reckoner Rate, as per policy of Municipal Corporation.

22) The land bearing C. S. no 831 of Mazgaon Division, known as India United Mill No 2 & 3 notified & reserved for 'Recreation Ground cum Textile Museum' as per notification under NoTPB4312/789/CR-27/2013/UD-11 dated 29th December 2016, shall be developed in accordance with the said Notification

### **17 (2) Redevelopment of existing Cinema/Theater:**

Notwithstanding anything contained in these Regulations, existing cinema/theater shall be redeveloped in the following manner:

1. In case of redevelopment of an existing cinema/Theater on allocated plot, the user for the cinema/ theater may be permitted in combination with the permissible uses in Residential/Commercial zone excluding the uses of Bakery/confectionery, coal & firewood shops, maternity home, hospitals, schools, trade school & colleges.

In case of redevelopment of an existing cinema/theater on allocated plot in addition to other uses which are to be permitted, cinema/Theater having seating capacity to the extent of 33% of the last licensed number of seats in the old existing cinema/Theater and in any case not less than 150 seats or as may be decided by GOM from time to time shall be provided.

Further for Cinema/Theater having number of seats 600 or more mentioned in the last license, in the old existing cinema/Theater may be developed with at least 200 seats without insisting

provision of 33% of the number of seats mentioned in the last license, in the old existing cinema/Theater.

BUA of such redeveloped theatre will be in addition to zonal (basic) FSI. However, it will be within the overall permissible FSI as mentioned in column 7 of table 12. No premium shall be charged for this BUA. Existing one screen cinema/Theater can be converted into multiple screens subject to observing above conditions and these Regulations.

Provided further that if development of cinema/theater along-with other uses except residential use is proposed in single building then the open space requirement shall be considered as required for the special building. The residential uses shall be permitted in separate building/separate wing with separate access.

Or

The Owner/Developer may develop the entire plot for the purpose of entertainment of general public such as Drama Theater/Opera theater/Mini-theater/Multiplex/ Art Gallery/Video Hall /Library/Reading rooms/ Hall for Musical events or Experiment Theatre or children Theatre/Acting Schools/Preview Theatre etc. along with ancillary uses.

Or

i) The plot of the cinema/theatre can be developed at par with AR. For the plot area, up to 2000 sq. m, 40 % of BUA as per Zonal (basic) FSI and in case of the plot area more than 2000 sq. m, 40 % plot area & built up amenities to the extent of 50% of the Zonal (basic) FSI of the plot shall have to be handed over to MCGM free of cost & free of FSI.

ii) The Built-up amenity shall be in the form of the activity related to the public entertainment as decided by the Commissioner such as Opera theater/Mini-theater/Production studio for cinema & or Tele-serial/Dubbing & Recording studio/ Preview theater. In case of plots up to 2000 sq. m, such activity shall preferably be located in a separate wing and with the separate access.

iii) The owner shall be entitled for the development of the balance potential as per the provision of Regulation No.17 (1) and uses permissible in residential/commercial zones. Provided further that residential use shall be allowed in a separate building.

iv) The owner shall be entitled for the development of the balance plot as per the provisions of these Regulations.

**17(3) Notwithstanding anything contained in these Regulations Development of Reserved land falling under the various provisions of Regulation No. 33 shall be as under:**

**(A) Development of reservation in Development/Redevelopment of Housing Schemes of Maharashtra Housing & Area Development Authority (MHADA) under Regulation No. 33(5)**

All reservation to be developed entirely for intended purpose.

**(B) Development of reservation in Reconstruction or redevelopment of cessed buildings in the Island City by Co-operative Housing Societies or of old buildings belonging to the Corporation under Regulation No. 33(7)**

(1) Redevelopment/reconstruction in any zone shall be allowed on site without going through the process of change of zone. For the Industrial user, the existing segregating distance shall be maintained from the existing industrial unit.

(2) Notwithstanding anything contained in these regulations, in case of redevelopment of plot/(s) having cessed structures/s and having reservation in the DP, the land component of the said cessed structure as per Zonal (basic) FSI shall be deemed to have been automatically deleted from reservation.

The reservation area beyond the land component of cessed structures/s may be developed as per provision of Regulation 17(1) under the principle 'Accommodation Reservation' for the intended purposes.

(3) In case of reconstruction/redevelopment of building of Corporation, for the area of plot having no reservation or having designation of Municipal Housing, then the BUA equal to 25% of such plot area as per Zonal (basic) FSI in the form of tenements or premium as may be decided by the Municipal Commissioner in lieu of said tenements shall be made available to MCGM and the developer shall be entitled to BUA in lieu of cost of construction against handing over of built up amenity as per Note (d) of Regulation 17(1).

(4) Notwithstanding anything contained in any of these Regulations reconstruction/redevelopment of buildings of Corporation existing prior to 30.09.1969, falling under reservation in Development Plan shall be permitted as under

(i) Any plot/layout having area under non-buildable/open space reservations admeasuring up to 500 sq. m shall be cleared by shifting the existing tenants from that site.

(ii) Where the area of site having non-buildable/open space reservation/Cemetery, is more than 500 sq. m & if the land component of existing structures is more than or equal to 65% such sites may be allowed for the redevelopment subject to condition that the ground area of the land so used shall not be more than 65% of the reservation and leaving 35% rendered clear thereafter for the reservation. If the land component of existing structures is less than 65% such sites may be allowed for the redevelopment subject to condition that the ground area of the land so used shall not be more than land component of existing structures and leaving balance reservation land rendered clear thereafter for the reservation.

(iii) Existing structures on lands reserved for Municipal School (RE 1.1)/ Primary and Secondary School (RE1.2) or a Higher Education (RE2.1) may be developed subject to the following:

(a) In case of land reserved for Municipal School (RE 1.1), Primary and Secondary School (RE1.2) in the DP, a building for accommodating such number of students as may be decided by the Municipal Commissioner, but in any case, for not less than 500 students, shall be constructed. The BUA occupied by the constructed building shall be excluded for the purpose of FSI computation. Thereafter, the land may be allowed to be redeveloped with the full permissible FSI of the plot according to this Regulation.

(b) In the case of lands affected by reservation of a Higher Education (RE2.1) in the DP, a building for accommodating such number of students as may be decided by the Municipal Commissioner, but in any case, for not less than 800 students, shall be constructed. The BUA occupied by the constructed building shall be excluded for the purpose of FSI computation. Thereafter the land may be allowed to be redeveloped with full permissible FSI of the plot according to this Regulation.

(iv) In case of the plot reserved for the Parking Lot, 125% BUA as per Zonal (basic) FSI of such reserved area shall be constructed.

(v) Existing structures on lands reserved for Rehabilitation & Resettlement (RR 2.1) shall be treated as sites for development of such structures and shall be allowed for redevelopment according to this Regulation.

(vi) For other buildable reservations excluding (ii), (iii), (iv) & (v) above and reservations as reflected in the table no 4 of Regulation No 17(1), BUA equal to 25 percent of the area under that reservation in that plot, shall be constructed.

***(C) (I) Development of reservation in Reconstruction or redevelopment of Cluster(s) of Buildings under Cluster Development Scheme(s) under Regulation No. 33(9):***

- a. Redevelopment/reconstruction in any zone shall be allowed to be undertaken without going through the process of change of zone. However, for the industrial user, the existing segregating distance shall be maintained from the existing industrial unit.
- b. Any land under non-buildable/open space reservations, admeasuring up to 500 sq. m may be cleared by shifting the existing tenants from that site.
- c. If the area under a non-buildable/ open space reservation is more than 500 sq. m, minimum 50% of the area under reservation shall be developed for the same purpose and handed over to MCGM, subject to a minimum of 500 sq. m and the remaining land shall be allowed for development.
- d. All the reservations in the DP shall be rearranged, if necessary, with the same area and the same width of access road or as required under DCPR, whichever is more.
- e. For the reservation of parking lot on a land included in CDS, 125% BUA as per Zonal (basic) FSI for the area under reservation in that plot shall be made available free of cost to the MCGM or to any other Appropriate Authority. Such BUA to be handed over shall be free of FSI.
- f. For other buildable reservations on land, BUA equal to 60% of the Zonal (basic) FSI under such reservations or existing BUA of the amenity (existing) whichever is more, on that plot shall be made available free of FSI and free of cost to the MCGM or the Appropriate Authority. The reservations of compatible nature can be preferably constructed in one or more separate blocks, depending on the area and nature of such reservations and Municipal Commissioner may permit composite development of reservations in case of such reservations. However, if the HPC/Planning Authority requires BUA under any Existing Amenity /reservation in excess of the Zonal (basic) FSI, then such excess area shall be considered as rehabilitation FSI, and incentive FSI as admissible under this Regulation shall be permissible.

Provided that in case of development of reservations of Rehabilitation & Resettlement under the CDS, BUA equal to 30% of the Zonal (basic) FSI shall be handed over to the MCGM free of FSI and free of cost, in addition to the rehabilitation of the existing tenements or users if any.

In case of reconstruction/redevelopment of building of Corporation, for the area of plot having no reservation or having existing amenity of Municipal Housing, then the BUA equal to 30% of such plot area as per Zonal (basic) FSI in the form tenements of size as decided by Commissioner shall be made available to MCGM and the developer shall be entitled to BUA in lieu of cost of construction against handing over of built up amenity as per Note (d) of Regulation No. 17 (1), in case of (e) & (f) above.

- g. Where a proposed DP Road or Regular line of street passes through the UDS area, the entire FSI admissible under this Regulation for the area of the road may be given in the same Scheme.

The location of and the area under DP road/ existing roads falling in the UDS may be allowed to be rearranged based on the comprehensive traffic study without affecting the continuity of the existing traffic movement and without reducing the total area of the existing road & DP Road. The existing roads may be realigned or relocated as per provisions of MMC Act.

- h. No premium shall be charged for the fungible compensatory area admissible as per Regulation 31(3) for rehabilitation component of an CDS as sanctioned by HPC and for the tenements to be handed over to MHADA and for the areas of reservation to be handed over to MCGM/Appropriate Authority.

This fungible compensatory area admissible to the rehabilitation tenements shall be utilized for rehabilitation component only. Its utilization for Sale Component under the CDS shall not be permissible.

i. Notwithstanding anything contained in these regulation in case of slum located on unbuildable reservation (fully occupied) at the option of the owner / developer and subject to rehabilitation of existing slum dwellers / occupants within the same / adjoining municipal ward with the consent of slum dwellers / occupiers as per the provision of these regulations at owners / developers cost without any compensation and handing over the said entire land under reservation to MCGM without any compensation, then it shall be permissible to utilize the permissible FSI of this land within the cluster area. No concession of whatsoever nature permissible under these regulation or regulation no. 33 (10) shall be permissible to the building where slum dwellers are rehabilitated.

***(C) (II) Development of reservation in Reconstruction or redevelopment of Cluster of BDD chawls at Naigaon, Worli, N.M.Joshi Marg and Shivdi under Urban Renewal Scheme(s) under Regulation No. 33(9)(B).***

Construction or reconstruction of slums/buildings falling under Reservations contemplated in the Development Plan shall be permissible as under –

a. Redevelopment / reconstruction in any zone shall be allowed to be undertaken without going through the process of change of zone. However, for the industrial user, the existing segregating distance shall be maintained from the existing industrial unit.

b. Any land under non-buildable reservations, admeasuring only up to 500 sq. m may be cleared by shifting the existing tenants from that site.

c. If the area under a non-buildable reservation is more than 500 sq. m., minimum 50% of the area under reservation shall be developed for the same purpose and handed over to Planning Authority, subject to a minimum of 500 sq. m and the remaining land shall be allowed for development.

d. All the reservations in the Development Plan shall be rearranged/relocated, if necessary, with the same area and the same width of access road or as required under DCPR, whichever is more.

e. For the reservation of parking lot on a land included in URC, BUA equivalent to Zonal (basic) FSI for the area under reservation in that plot shall be made available free of cost to the Officer appointed by the Planning Authority. Such BUA to be handed over shall be free of FSI.

f. For other buildable reservations on land, built up area equal to 60% of the Zonal (basic) FSI under such reservations or existing built up area of the amenity whichever is more, on that plot shall be made available free of FSI and free of cost to the Planning Authority. The reservations of compatible nature can be preferably constructed in one or more separate blocks/plot depending on the area and nature of such reservations and Officer appointed by the Planning Authority may permit composite development of reservations in case of such reservations. The vacant plot of DP reservation shall be allowed for residential development, if the BUA of DP reservation is amalgamated and constructed on one or more block/plot. However, if the Empowered Committee requires BUA under any designation /reservation in excess of the Zonal(basic) FSI, then such excess area shall be considered as rehabilitation F.S.I, and Free sale FSI as admissible under this Regulation shall be permissible.

g. Where a proposed Development Plan Road or Regular line of street passes through the Urban Renewal Scheme area, the entire FSI admissible under these Regulations for the area of the road may be given in the same Scheme.

***(D) Development of reservation in Redevelopment for Rehabilitation of Slum Dwellers under Regulation No. 33(10)***

***(a) Slums in Residential/Commercial Zone***

(1) Slums situated in lands falling under Residential/Commercial Zone and affected by the reservation in the DP shall be developed in accordance with the following provisions.

(2)(i) Any plot/layout having area under non-buildable/open space reservations admeasuring up to 500 sq. m shall be cleared by shifting the slum-dwellers from that site.

(ii) Where the area of site having non-buildable/open space reservation, is more than 500 sq. m such sites may be allowed to be developed for slum redevelopment subject to condition that the ground area of the land so used shall not be more than 65% of the reservation and leaving 35% rendered clear thereafter for the reservation.

(3) Existing slum structures on lands reserved for Municipal School (RE 1.1)/ Primary and Secondary School (RE1.2) or a Higher Education (RE2.1) may be developed subject to the following:

(i) In case of land reserved for Municipal School (RE 1.1), Primary and Secondary School (RE1.2) in the DP, a building for accommodating such number of students as may be decided by the Municipal Commissioner, but in any case, for not less than 500 students, shall be constructed by the owner or developer at his cost according to the size, design, specification and conditions prescribed by the Municipal Commissioner. The BUA occupied by the constructed building shall be excluded for the purpose of FSI computation, and where it is intended for a Municipal School (RE 1.1) Primary and secondary school (RE1.2), the building or part thereof intended for the school use shall be handed over free of cost and charge to the Corporation. Thereafter, the land may be allowed to be redeveloped with the full permissible FSI of the plot according to this Regulation

(ii) In the case of lands affected by reservation of a Higher Education (RE2.1) in the DP, a building for accommodating such number of students as may be decided by the Municipal Commissioner, but in any case for not less than 800 students, shall be constructed by the owner or developer at his cost according to the size, design, specification and conditions prescribed by the Municipal Commissioner, the BUA occupied by the constructed building shall be excluded for the purpose of FSI computation. The constructed building shall be handed over to the Corporation free of cost and charge and the Municipal Commissioner may hand over the same or part thereof intended for the School use to a recognized and registered educational institution for operation and maintenance on terms decided by him. Thereafter the land may be allowed to be redeveloped with full permissible FSI of the plot according to this Regulation.

(iii) In case area under reservation of Municipal School (RE 1.1)/ Primary and secondary school (RE1.2) or a Higher Education (RE2.1) is spread on adjoining plot and the plot under development, then in such cases Commissioner with special permission may insist upon construction of Municipal School (RE 1.1)/ Primary and Secondary School (RE1.2) or a Higher Education (RE2.1) in proportion to the area under reservation affecting the plot under development. Requirements of Play Ground as per Regulation No 38 (I) (2) of these regulations may not be insisted for (i) above.

(4) For other buildable reservations excluding Municipal School (RE 1.1)/ Primary and Secondary School (RE1.2) or a Higher Education (RE2.1) on lands under slum, BUA equal to 20% percent of the area under that reservation in that plot, shall be demanded free of cost by the Slum Rehabilitation Authority for the Municipal Corporation or for any other appropriate Authority.

(5) In case of the plot reserved for the Parking Lot, 125% BUA as per Zonal (basic) FSI of such reserved area shall be handed over to MCGM.

The developer/owner shall be entitled for the Built-Up Area (BUA) in lieu of cost of construction against handing over of built up amenity as per Note (d) of Regulation 17(1) in case of clause 3,4 & 5 above.

(6) Existing slum boundary excluding non slum area/ nallah as certified by Competent Authority on lands reserved for Rehabilitation & Resettlement (RR 2.1) shall be treated as sites for development of slum structures and shall be allowed for redevelopment according to this Regulation.

(7) Reservation area beyond the slum boundary on open land / non slum area/ nalla shall have to be developed entirely for the intended purpose only.

(8) In case where LOI/IOA was issued by CEO (SRA) prior to sanction of DP 2034 in respect of plot affected by reservations as per SRDP 1991, then those reservations shall remain in force as per DCR 1991 even after the sanction of DP 2034 and shall be developed as per DCR 1991.

(9) In case of conversion/revision of LOI as per this regulation and where plot is reserved for different/same public purpose for equal or more area of reservation in DP 2034 than DP 1991, then development shall be as per this regulation. The DP road shall be reckoned with as per DP 2034.

***(b) Slums in Industrial Zone (I)***

(1) Slums in Industrial Zone (I) shall be allowed to be redeveloped in-situ without going through the process of change of zone. In the free-sale component in any zone, in addition to residential uses, all the uses permitted for the original zone shall be permitted. For industrial uses, the segregating distance shall be maintained from the existing industrial unit

(2) Any plot/layout having area excluding area under DP Road/ prescribed RL as per MMC Act, may be allowed to be developed under this Regulation by insisting handing over of 35 % amenity of the required under Regulation No. 14(B) (c).

(3) Requirement of LOS as per the provisions of Regulation No.27 (1)(a) shall be insisted.

(4) In the event of DP having provided reservation/reservations on a plot where development under Regulation No 33(10) is proposed, the following shall apply:

a. If the area under DP reservation to be handed over to MCGM (excluding the areas under DP roads/ road setback) is less than the land component of built up amenity required as per this Regulation, only the additional land area shall be provided for amenity.

b. If the area under DP reservation to be handed over to MCGM, (excluding the areas under DP roads/ road setback), is more than the land component of built up amenity required as per this Regulation, then the provision for amenity is not necessary.

5) The owner shall give advanced possession of the land wherever applicable (to be handed over) to MCGM/Appropriate Authority at the time of seeking Approval for Development of plot. It shall be responsibility of the land owner to clear all the encumbrances and complete the formalities towards transferring the land in the name of MCGM/Appropriate Authority. Proforma of possession receipt shall be as per Appendix V.

6) The area of built up amenity shall be counted in FSI initially and after handing over of said built up amenity the area of built up amenity shall be allowed free of FSI. Commencement Certificate in respect of BUA in lieu of the built-up amenity handed over to MCGM can be granted only after handing over of such built up amenity or before availing zonal (basic) FSI beyond 75% of gross plot area or before seeking Occupation Certificate to any part of building/ buildings beyond 75% of admissible BUA, other than the built-up amenity.

(7) The developer shall be entitled to the cost of construction of development of buildable amenity as per provision of regulation 17(1) Note (d).

***(E) Metro Station interchanges:***

The buildable reservations if any, on plots abutting Metro Station interchanges shall cease to exist on identification of such Metro Station interchanges within 500 m from such interchange to that extent, subject to condition that 20% of plot area shall be kept reserved for parking lot, which can be developed under accommodation reservation policy under regulation 17(1). However the non-buildable (open spaces) reservations shall be implemented to the full extent.



**PART-IV REQUIREMENT OF SITE AND LAYOUT****18. Requirement of Site**

No land shall be used as a site for the construction of building –

- (a) if the Commissioner considers that the site is insanitary or that it is dangerous to construct a building on it or no water supply is likely to be available within a reasonable period of time;
- (b) if the site is within 6.0 m from the edge of the water mark of a minor water course, or 15m from the edge of the water mark of a major water course, unless arrangements to the satisfaction of the Commissioner are made to drain the flow of the water course;

Provided that where a water course passes through low-lying land without well-defined banks, the Commissioner may, as determined by him, permit the owner of the property to restrict or divert the water course to an alignment and cross section.

Provided that, in case of trained nallah 6.0m marginal open space shall have to be maintained

- (c) if the building is proposed on any area filled up with carcasses, excreta, and filthy and offensive matter, till the production of a certificate from the Commissioner to the effect that it is hygienically fit to be built upon;
- (d) if the use of the said site is for a purpose which, in the Commissioner's opinion, may be a source of danger to the health and safety of the inhabitants of the neighborhood;
- (e) if the level of the site is lower than the Datum Level prescribed by the Commissioner depending on topography and drainage aspects. This shall not be less than reduced level of 27.55m of the Town Hall Datum;
- (f) if situated within the funnel of vision marked on DP plan of D Ward;
- (g) if the building is nearer than 24.5 m in the case of residential buildings and 36.5 m in the case of other buildings from the centre line of a National Highway, State Highway or Major District Road;
- (h) if it is situated-
  - (i) within 2438 m from an international civil airport unless the application for development permission is accompanied by a certificate of consent from the Civil Aviation Authorities,
  - (ii) within 1829 m from any other civil airport unless the application for development permission is accompanied by a certificate of consent from the Civil Aviation Authorities.
- (i) for places of public worship unless the site has been previously approved by the Commissioner and the Commissioner of Police;
- (j) Unless it derives access from an authorized street/means of access described in these Regulations;
- (k) for industrial use, other than a service industry unless the application is accompanied by NOC from the appropriate officer of the Industries Department of the Govt. according to the prevailing Industrial Location policy;
- (l) if the proposed development is likely to involve damage to or have deleterious impact on or is against urban aesthetics of environment or ecology and/or on historical/architectural/aesthetical buildings and precincts unless and otherwise specified in these Regulations.

**19. Public Street and Means of Access**

- (1) **Every site to have access free of encroachment:** Every site proposed to be developed or redeveloped shall have access from a public street/road as required in these Regulations. Such access shall be kept free of encroachment.
- (2) **High Rise and Special Buildings:** The Commissioner may permit access to such buildings from any street as stated below in the Table No6

**Table No 6**

Building type	Height of Building	Minimum road width required in Metres (m)
High Rise	Above 32m up to 70 m	9.0
High Rise	Above 70 m up to 120 m	12.0
High Rise	Above 120 m	18.0
Special/Assembly Building	For Height up to 32 m	12.0
Special/Assembly Building	For Height above 32 m	18.0

And one end of street shall join another street of width as specified above or greater width.

Provided further that the Commissioner may allow access to building with height up to 70 m through two numbers of existing roads each having minimum width of 6.0 m. In such cases no concession in front open space shall be permissible and total front open space including width of road shall be minimum 9m, and 6m road shall be connected to the road of at least 9m.

Provided further that, in case of redevelopment schemes under Regulation 33(7), 33(7)(A), 33(7)(B), 33(10) and 33(10)A, the road width of 9m for building height up to 120m and 13m for building height above 120m, shall be adequate. This shall be subject to CFO's NOC.

**(2A)** The Municipal Commissioner shall constitute a Technical Committee for high rise buildings to advise on issues related to high-rise building having height more than 120 m. or any building having slenderness ratio 9 or more irrespective of height of building, in which following persons shall be included:

- 1) Retired IAS officer not below rank of Principal Secretary -Chairman
- 2) Structural Engineering faculty from IIT/VJTI/SPCE - Member
- 3) Soil Mechanics faculty from IIT/ VJTI/SPCE- Member
- 4) Practicing registered structural Engineer having experience in the field of Structural Designing of 10 years or more- Member
- 5) Chief Fire Officer, MCGM- Member
- 6) Any other Technical member

Terms of Reference (TOR) including duration for Committee shall be decided by the Municipal Commissioner.

Note :- 1.MCGM shall convert all roads of width less than 9 m to 9 m and above as per site condition through MR&TP Act or MMC Act.

2. Roads excluding existing public road/Municipal road, reflected in DP shall not be treated as public Road, unless and until declared under appropriate section of MMC Act& shall not be subjected to acquisition.

**(3) Other buildings:**

- (a) The Commissioner shall permit access from streets having width of not less than 6.0 m over which the public have a customary right of access or have used it or passed over it uninterruptedly for a period of 12 years.
- (b) The Commissioner may permit access from
  - (i) any street 6.0 m wide or more (including streets in a gaathan which give access to other properties outside the gaathan),
  - (ii) any existing street not less than 3.6 m wide which is proposed to be widened either in DP or by sanctioned regular line of street under the MMC Act, 1888,
  - (iii) any street less than 3.6 m wide in a gaathan/Koliwada/Adivasipada if the plot boundary is shifted 2.25m from the central line of the street. Provided that shifting of plot boundary to 2.25 m from central line of the street will be insisted upon only in respect of identified streets forming part of Traffic Circulation System in gaathan/Koliwada/Adivasipada. Such streets will be identified with specific approval of the Municipal Commissioner. In all other cases, existing access will be considered as adequate in gaathan/Koliwada/Adivasipada areas, subject to the physical verification on site,
  - (iv) any street or road more than 52.0 m in width specifically identified in the DP for giving direct access except where NOC has been granted by the appropriate road authorities,

**(4) Plots/Buildings abutting or fronting a means of Access:**

Where a plot or building abuts/fronts a means of access; the width of the access shall be as specified in Regulation No 23.

**20. Alignment & Intersection of Roads**

(a) Where there is any conflict between the width provided in the DP and the width resulting from the prescription of a Regular Line of a street under the MMC Act, 1888, the larger of the two shall prevail. Further, if there is variation in the alignment of DP Road and sanctioned Regular Line under the MMC Act, 1888 of same width, the alignment as per the Regular Line shall prevail.

For intersection of roads, the rounding off, cut-off or splay or similar treatment shall be done to the satisfaction of the Commissioner depending upon the widths of the roads, the traffic generated, the sighting angle, etc. to provide clear side distance.

The alignment of roads and their junctions shall be subject to actual demarcation on site by the Commissioner.

(b) Access to plot at the Carriage Entrance-The sloping portion for deriving vehicular access from the carriage-way to the plot shall be provided within the plot boundary.

**21. Highway and wider Roads**

No site excepting one proposed to be used for highway amenities like petrol pumps or motels or hospitals shall have direct access from a highway or specified road 52m or more in width, unless the same is permitted by Appropriate Authority.

Provided that this shall not apply to any lawful development which have been allowed earlier authorized access along the highways and other specified roads & existed before these Regulations have come into force and alternative measures are provided for their continuance.

**22. Access to land-locked plot.**

In the case of a plot, surrounded on all sides by other plots, i.e. a land-locked plot which has no access to any street or road, the Commissioner may require access through an adjoining plot or plots which shall, as far as possible, be nearest to the public street. The cost of land acquisition and development of such access shall be borne by the owner of land-locked plot and subject to other conditions prescribed by the Commissioner. Alternatively, if the owner of the adjoining plot, which is accessible from a public street, is willing to provide right of access to such land-locked plot then the same may be permitted from the required marginal side open space of the building on such adjoining plots.

**23. Internal means of access**

(1) **Minimum road width vis-à-vis the area served**- Plots which do not abut on a street shall abut/front on a means of access, the width and other requirements of which shall be as given in Table No 7 hereunder for residential and commercial zones and as given in Table No8 hereunder for an industrial zone.

**TABLE No 7****Width of access for Residential and Commercial Zones for plot area to be served**

Access length in meters (m)	Area served (sq.m)			
	Less than 1500	More than 1500 & up to 4,000	More than 4000 & up to 10,000	More than 10,000
	Width in meters (m)			
(1)	(2)	(3)	(4)	(5)
Less than 75	6	7.5	9	12
More than 75 & upto 150	7.5	7.5	9	12
More than 150 & up to 300	9	9	9	12
Over 300	12	12	12	12

Provided that in residential layouts, straight cul-de-sacs up to 150 m. long roads are permissible. An additional length up to 125 m will be permissible, if an additional turning space is provided at 150 m. The dead end shall be at a level higher than the main road from where the cul-de-sac road takes off. The turning space, in each case, should not be less than 81 sq.m. in area, no dimension being less than 9 m.

**TABLE No 8****Width of access for industrial zones**

Access length in meters (m)	Width of means of access in meter (m)
(1)	(2)
Upto 100	9.0
Above 100 upto 300	12.0
Above 300	15.0

- (2) **Access for residential, commercial and industrial zones-** as in table No 7 and 8 above-
- (a) shall be clear of marginal open spaces but not less than 3m from the building line;
- (b) may be reduced by 1 m from the prescribed widths if the plots are on only one side to the access;
- (c) shall be measured in length from the point of its origin to the next wider public street it meets.
- (3) **Larger width of Means of Access-**

In the interest of the general development of any area, the Commissioner may require the means of access to be of larger width than that required under these Regulations.

- (4) **Access in Partially Built up Plots:**

Notwithstanding the above, in partially built-up plots where the area still to be built upon does not exceed 5,000 sq. m an access of 3.6m width may be considered adequate. If such an access is through a built over arch, this access shall have a height of not less than 4.5m.

#### 24. **Minimum Width of Pathways**

The approach to a building from a road/street/internal means of access shall be through a paved pathway of width specified in Table 9 here-under, the length of pathway being determined by the distance from the farthest plot or building to the internal road proposed under Regulation No 23 or to an existing road from which it takes off.

**TABLE No 9**

WIDTHS OF PATHWAYS

Types of Development (1)	Length of Pathway in meters (m) (2)	Width in meters (m) (3)
(i) Residential building	Upto 50	3.0
	Upto 40	2.5
	Upto 30	2.0
	Upto 20	1.5
(ii) Non-residential building	Upto 20	1.5
	more than and upto 50	3.0

#### 25. **Means of Access to be Constructed & Maintained**

- (1) **General:** Means of access shall be leveled, metalled, tarred, flagged, paved, sewered, drained, channeled, provided with lights and water supply line and with trees for shade to the satisfaction of the Commissioner. They shall be free of encroachment by any structure or fixture that may reduce their width below the minimum required by Regulation No 23 and shall be maintained in condition considered satisfactory by the Commissioner.
- (2) **Private Street:** If any private street or other means of access is not constructed or maintained as specified in sub-regulation (1) above, or if structures or fixtures arise thereon in contravention of that sub-rule, the Commissioner may, by written notice, direct the owner or owners of the several premises fronting or adjoining the said street or other means of access or abutting thereon or to which access is obtained through such street or other means of access or which

shall benefit by works executed, to carry out any or all of the aforesaid requirements in such manner and within such time as he shall direct. If the owner or owners fail to comply with this direction, the Commissioner may arrange for its execution and recover the expenses incurred from the owner or owners.

- (3) **How to measure the length of access-ways-** The length of main means of access shall be determined by the distance from the farthest plot or building plot and the main street. The length of a subsidiary access-way shall be measured from the point of its origin and the next wider road it meets.

## 26. Layout/amalgamation/subdivision of plot

- (1) **Circumstances warranting preparation of a layout or sub-division/amalgamation: A layout or subdivision/amalgamation shall be submitted for the following:**

- (a) when more than one building (except for building accessory to the main building) is proposed on any land;
- (b) when development or redevelopment of any tract of land includes its division or sub-division/amalgamation of plots;
- (c) when the land under development admeasures 2000 sq. m or more in any zone, where the development is permissible.

(2) **Contents:** Every sub-division/amalgamation/ layout shall contain sub-plots being formed after sub-division, access thereto, LOS, if any, required under Regulation No 23 and 27, spaces for other ancillary uses if any required under Regulation No. 24 and 28 also all the reservations, designations, allocations, road or road widening proposals of the DP and the regular lines of streets prescribed under the MMC Act, 1888.

Provided that the Commissioner may, without any reduction in area, allow adjustment in the boundaries of DP Roads/reserved /allocated sites within the same holding and conforming to the zoning provisions to suit the development. In doing so, he will ensure that the shapes of altered, allocated/reserved sites are such that they can be developed in conformity with these Regulations.

(3) **Minimum plot areas:** The minimum plot areas permissible for different categories of use types of development permissible and the minimum dimension shall be as in Tables No 10 here under:

**TABLE No 10**

Minimum Plot areas for various Uses

Sr. No (1)	Land use (2)	Plot area (sq.m) (3)	Type of Development (4)
1	Residential and Commercial (except those in 2,3 and 4 below)	(i)25 and above but less than 40	Row
		(ii)40 and above but less than 125	Row/semi-detached.
		(iii)125 and above with no dimension less than 9.0 m	Row/semi-detached/ detached.

2	Plots in Rehabilitation and Resettlement/Slum up-gradation/Reconstruction scheme.	21 with minimum width of 3.0 m	Row.
3.	Petrol filling Station -		
	(a) without service bay	545 (with one dimension not less than 16.75 m).and for filling stations of only compressed Natural Gas minimum area of plot shall be 300 sq. m.	Detached
	(b) with service bay	1100 (with one dimension not less than 30.5 m).	Detached
4	Cinema theatre, assembly hall	3 sq.m per seat including parking requirements	
5	Mangal Karyalaya/ Public Hall	1000	
6	Industrial (I)	300 (with width not less than 15m)	Detached

Note: - 1) If new proposed DP Road/RL is prescribed in already approved layout, then imbalance of FSI in subdivided plots because of new proposed DP Road/RL shall be allowed.

2) In cases of an erstwhile contiguous land under one ownership which got subdivided by existing public road, the Owner/Developer may opt for development by utilizing the entire potential of an erstwhile contiguous land excluding public road under these Regulations on one of the subdivided plot on any side of the existing road and where other subplot/plots on other side of road is required by MCGM, subject to the following.

i) The subplot/plots of an erstwhile contiguous land shall not be part of any layout earlier approved prior to coming into force of these Regulations.

ii) The subplot/plots whose potential proposed to be utilized on the other subplot/plots shall become devoid of any potential and shall be handed over to MCGM and ownership of the same shall be transferred in the name of MCGM in P.R. Card, free of cost, free of encumbrances, as per the terms and conditions specified by Municipal Commissioner.

iii) The area of subplot/plots where the entire potential is proposed to be utilized shall not be less than 50% of aggregate area of all sub plot/plots without taking into account the area of existing public road.

iv) The subplot/plots so handed over to MCGM shall be used for public purpose as may be decided by Municipal Commissioner, MCGM.

v) The Owner/Developer shall not be entitled for any monetary compensation or TDR of the plot handed over to MCGM.

vi) The minimum area of the subplot/plots of an erstwhile contiguous land, of which the entire potential is proposed to be utilized on the other subplot/plots of the same erstwhile contiguous land, shall be 2000 sq.mt.

## 27. **Layout/Plot Recreational Ground/Open Spaces (LOS) in Layout/Plot**

### (1) **LOS in residential and commercial layouts:**

(a) **Extent:** In any layout or sub-division/amalgamation/ for the development of individual plots with single building in a residential and commercial zone, LOS shall be provided as under.

(i)	Area from 1001 sq. m to 2500 sq. m.	15 per cent
(ii)	Area from 2501 sq. m to 10,000 sq. m	20 per cent
(iii)	Area above 10,000 sq. m	25 per cent

These LOS shall be exclusive of areas of accesses/internal roads/ existing amenity or reservations, DP roads and areas for road-widening and shall as far as possible be provided in one place. Where however, the area of the layout or sub-division/amalgamated/plot area is more than 5000 sq. m, LOS may be provided in more than one place, but at least one of such places shall be not less than 1000 sq. m in size. Such LOS will not be necessary in the case of land used for educational institutions with attached independent playgrounds.

In case of provisions of Regulation No 33 the LOS shall be as stipulated in the relevant regulations if specified separately, or else the LOS as specified above shall be provided.

Provided further that the provisions of LOS in case of the redevelopment schemes under the regulation no 33(5),33(7),33(8),33(15) and 33(20) (A) may be reduced due to planning constraints, minimum of at least 10% shall be maintained. Provided further that in case of redevelopment proposal under Regulation No 33(5), the existing area of LOS shall be maintained, if it is more than 10% of the layout.

- (b) **Minimum area:** No such LOS shall measure less than 125 sq. m.
- (c) **Minimum dimensions:** The minimum dimension of such LOS shall not be less than 7.5 m, and if the average width of such LOS is less than 16.6 m, the length thereof shall not exceed 2 1/2 times the average width.
- (d) **Access:** Every plot meant for a LOS shall have an independent means of access, unless it is approachable directly from every building in the layout.
- (e) **Ownership:** The ownership of such LOS shall vest by provision, in a deed of conveyance, in all the property owners on account of whose holdings the LOS is assigned.
- (f) **Tree growth:** Excepting for the area covered by the permissible structures mentioned under (g) below, the LOS shall be kept permanently open to the sky and accessible to all owners and occupants as a LOS and trees shall be grown as under: -
- (a) at the rate of 5 trees per 100 sq. m or part thereof of the said LOS to be grown within the entire plot
- (b) at the rate of 1 tree per 100 sq. m or part thereof to be grown in a plot for which LOS is not necessary
- (c) In between the trees planted along the boundary of plot shrubs with grass shall be planted.
- (g) **Structures/uses permitted in LOS:**
- (i) In a LOS exceeding 400 sq. m in area (in one piece), elevated/underground water reservoirs/tanks, electric sub-stations, pump houses, facility for treatment of wet waste in situ may be built and shall not utilize more than 10 per cent of the LOS in which they are located.
- (ii) In a LOS of 1000 sq. m or more in area (in one piece and in one place), structures for pavilions, gymnasias, club houses, swimming pools and other structures for the purpose of sports and recreation activities may be permitted with BUA not exceeding 15 per cent of the total required LOS. The area of the plinth of such a structure shall be restricted to 10 per cent of the area of the total required LOS in these regulations. The total height of any such structure, which may be Ground + one storey shall not exceed 8 m. The height may be increased to 13 m to



accommodate badminton court/squash court. Where club house is proposed in LOS, then provision for gymnasium/fitness centre/yogalaya in club house shall be insisted upon. Structures for such sports and recreation activities shall conform to the following requirements:

- (a) The ownership of such structures and other appurtenant users shall vest, by provision in a deed of conveyance, in all the owners on account of whose cumulative holdings the LOS is required to be kept as LOS, in the layout or sub-division/amalgamation/plot of the land.
- (b) The proposal for construction of such structure should come as a proposal from the owner/owners/society/societies or federation of societies shall be meant for the beneficial use of the owner/owners/members of such society/societies/federation of societies.
- (c) Such structures shall not be used for any other purpose, except for recreational activities.
- (d) The remaining area of the LOS shall be kept open to sky and accessible to all members as a place of recreation.
- (e) The owner/owners/or society or societies or federation of the societies shall submit to the Commissioner a registered undertaking agreeing to the conditions in (a) to (d) above.
- (f) LOS in a private layout shall be for the exclusive use of the residents of such private layout only and shall not be subjected to acquisition by MCGM/Appropriate Authority. Further in such cases area of existing Recreational Open Space shall have to be maintained by residents of such private layout.

**(h) Structures/Uses permitted in layout open spaces**

“Construction of Solid Waste Management System as per the National Building Code of India, Part 9 Plumbing Services, Section 1-Water Supply, Drainage & Sanitation (including Solid Waste Management) paragraph 6 / bio degradable waste treatment plant, in the layout LOS , having area 2000 Sq.mt. & above within 10% of the LOS area.”

**(2) LOS in industrial plots/layout of industrial plots in any industrial plot admeasuring 1000 sq. m or more in area, 15 per cent of the total area shall be provided as LOS subject to:**

- (i) such LOS shall have proper means of access and shall be so located that it can be conveniently utilised by the persons working in the industry;
- (ii) such LOS shall be kept permanently open to sky and accessible to all the owners and occupants and trees shall be grown therein at the rate of 5 trees for every 100 sq. m of the said open space or at the rate of 1 tree for every 100 sq. m in other cases. In between the trees planted along the boundary of plot, shrubs with grass shall be planted.

Note:

1. The area of LOS shall be calculated on the area excluding the areas under DP road/ setback/ reservations area to be handed over to appropriate authority
2. The minimum 60% of the required LOS shall be provided exclusively on the ground and at least 50% of this shall be provided on mother earth to facilitate the percolation of water and balance 40% of required LOS may be provided on podium area extending beyond the building line. The LOS on mother earth shall not be paved and all LOS shall be accessible to all the occupants of the plot/layout.

Rest of the compound pavement other than stated above shall be paved with perforated paving having adequate strength, in order to facilitate percolation of rain water into the ground.

The entire LOS may be provided on the top most podium open to sky subject to condition that 1.5 m. unpaved distance shall be kept for planting of trees and thereafter marginal open space required as per Regulation 47(1) for the maneuvering of fire fighting engine (& other equipments) on site from where light & ventilation is derived shall be provided on two sides. The area of said 1.5 m. wide strip shall not be counted in required LOS. If LOS is proposed on podium, then no parking shall be allowed on the same and rain water harvesting shall also be provided on podium.

3. Recreational Open Space of private layout which is reflected in DP as reservation of POS or existing POS shall remain as layout open space only and shall not be subjected to acquisition. Further in such cases area of existing Layout Recreational Open Space shall have to be maintained by the owner/Co Op Hsg. So/federation etc. as the case may be.

## 28. Substation

### (A) Electrical Consumer Substation (CSS)/Distribution Substation (DSS):

In case of development/redevelopment of any land, building or premises, provision for electric sub-stations may be permitted as under

**Table No.11.**

**Requirements of plot area for Consumer Substation (CSS).**

Sr. No	Plot Area (Sq. m)	Maximum area of land for CSS/DSS in sq. m
1	Upto 1000	Nil
2	Above 1000 & up to 2000	40.00 (single Transformer of 8.0 X 5.0)
3	Above 2000& up to 4000	66.00 (single Transformer of 12.0 X 5.5)
4	Above 4000 & up to 20000	143.00 (Two nos of Transformers with each size 13.0 X 5.5)
5	Above 20000 & up to 40000	720

Note:

(a) If the CSS is forming a part of a building, it shall comply with all the safety precautions insisted upon by the concerned Electricity Distribution Company and the requirements of Chief Fire Officer.

(b) Such allotted public spaces shall be developed and maintained by the concerned Electricity Distribution Company at its own cost, as directed by the Commissioner.

(c) For installation of above, the height as required by the technical requirements of such installations and the ancillary installations necessary for effective functioning of the system shall be permitted without taking into account the height parameter in FSI.

(d) The provision for CSS shall not be made mandatory by the Electricity Distribution Company in each development. The experts in Electricity Distribution Company shall assess the requirement of CSS considering the existing facilities available in the neighborhood.

(e) CSS/DSS may be permitted to be constructed in LOS in such a way that area shall not exceed the limit prescribed in the Regulation No.27.

(f) Ownership of the space/land, where substation is proposed shall vest with concerned owner/society/association or the person deriving the title, and easement rights will vest with concerned Electric Authority till CSS/DSS remain inexistence and functional.

(g) The sub-station proposed to be constructed in open space shall be in such a manner that it is away from the main building at a distance of at least 3 m and in general does not affect the required side margin open spaces or prescribed width or internal access or larger open space. The substation can be provided in stilt/podium/within building line subject to compliance of fire safety requirements, or as may be decided by the Commissioner.

**(B) Requirements of plot area for Distribution Substation/Receiving Substation/Extra High Voltage Receiving Station (DSS/RSS/EHVRS).**

Sr. No	Plot Area (sq. m)	Maximum area of land for DSS/RSS/ EHVRS in sq. m
1	Above 20,000 & up to 40,000	721 to 1200 (maximum) for DSS/RSS as per the requirements of concerned Electric Authority
2	Above 40,000	3,500 (maximum) DSS/RSS as per the requirements of concerned Electric Authority
3	Extra High Voltage Receiving Station (EHVRS)	The construction of EHVRS as per the requirements of electric distribution company in their premises shall be permissible.

Note-

a) The height as required by the technical requirements of such installations and the ancillary installations necessary for effective functioning of the system shall be permitted without taking into account the height parameter in FSI.

b) DSS/RSS/EHVRS may be permitted to be constructed below the POS in such way that the effective area occupied by DSS/RSS/EHVRS shall not exceed the 20% of developed area of such POS. However, in exceptional cases the said limit may be allowed to be exceeded with special permission of the Commissioner. Specific permission of Municipal Corporation shall be obtained for constructing underground DSS/RSS/EHVRS and shall be subject to terms and conditions and applicable payment. Such allotted POS shall be developed and maintained by the concerned Electric Distribution Company at its own cost and will have to be kept open for the use of general public except minimum area required for ingress and egress as per Regulation 53.

c) DSS/RSS/EHVRS can be provided on the land of electric supply company or the requirement of land as specified above will have to be acquired /obtained as per the policy of Govt. by concerned electric supply company.

d) It shall comply with all the safety precautions insisted upon by the concerned Electricity Distribution Company and the requirements of Chief Fire Officer.

**29. Additional facilities in the Development in Large Holding/layout**

(A) In layouts or sub-divisions/amalgamation of area in excess of 2 ha in residential and commercial zones, plots may be provided for shopping centers/departmental stores. Such

centers/stores may have an aggregate BUA up to 5 per cent of the Zonal (basic) FSI of the plot. The conditions governing the layout of such a centre/store shall be as under:

- (i) The centre/store may be at one place or may be distributed within the layout to make it accessible from the different parts of layout;
- (ii) These centers/stores shall not abut any roads more than 31 m wide
- (iii) A shopping centre may be provided exclusively within the building towers with no access or frontage on any public road
- (iv) Within a layout, the centers/stores may be provided on the ground and upper floors or on the ground floor and the upper floors may be used for residential purposes and conveniences like banks or places for medical or dental practitioners.
- (v) Uses shall be as defined in clause (31) of Regulation No.2, provided further that restaurant/eating house shall not be permissible in a residential building. Additional uses may include:

Stores or shops for the conduct of retail business. There will, however, be no storage or sale of combustible material except with the Commissioner's permission.

- (a.) Personal services establishments only.
- (b.) Frozen food stores.
- (c.) Cleaning and pressing establishments for clothes, each occupying floor area not more than 200 sq. m and not employing solvents with a flash point lower than 590C, machines with dry load capacity exceeding 30 kg and employing not more than 9 persons, with a total power requirements of not more than 4 KW
- (d.) Shops for goldsmiths, lock-smiths, watch and clock shops and their repairs, bicycle shops and their rental and repairs, optician's shops and optical glass grinding and repairs shops, musical instruments shops and their repairs, picture framing, radio, television and household appliance shops and their repairs, umbrella shops and their repairs and upholstery work, each employing not more than 9 persons.
- (e.) Coffee selling shops and grinding establishments, each with electric motive power not exceeding 0.75 KW (0.025 KW individual motor each);
- (f.) Bakeries with no floor above, not occupying for production an area in excess of 75 sq.m and not employing more than 9 persons, if the power requirement does not exceed 4 KW, where only electrical ovens are used and additional heating load upto 12 KW permitted
- (g.) Confectioneries and establishments for the preparation and sale of eatables not occupying for production, an area in excess of 75 sq. m per establishment and not employing more than 9 persons or motive power exceeding 1.12 KW, as well as sugarcane and fruit crushers, each not employing more than 6 persons with motive power not exceeding 1.12 KW, in an area not more than 25 sq. m.
- (h.) Vegetable, fruit, flower shops
- (i.) Photographic studios with laboratories, photocopying, video and videotaping establishments, etc. and their laboratories, each with an area not exceeding 50 sq. m, and not employing more than 9 persons and not using power more than 3.75 KW
- (j.) Data processing unit with use of computers
- (k.) Travel agencies

With the special permission, the Commissioner may from time to time add to, alter or amend the above list

- (B) If a public amenity of a kindergarten school, milk Centre, electric sub-station, bus shelter, is provided within the project, the area of such facility not exceeding 5 percent of the total plot area shall be allowed free of FSI.

## PART V- FLOOR SPACE INDEX

## 30. Floor Space Indices &amp; Floor space / Built-Up Area (BUA) computation, Tenement Density and Protected Development

## (A) Floor Space Indices &amp; Floor space /BUA computation

- 1 The area of a plot shall be reckoned in FSI/BUA calculations applicable to development to be undertaken as under: -

TABLE 12

Floor Space Indices in Residential, Commercial and Industrial Zones

Sr No	Areas	Zone	Road width	Zonal (Basic)	Additional FSI on payment of Premium	Admissible TDR	Permissible FSI (4+5+6)
	1	2	3	4	5	6	7
1	Island City	Residential/ Commercial	Less than-9m	1.33	-	-	1.33
			9m & above but less than 12.00m	1.33	0.5	0.17	2.0
			12.00 m & above but less than 18.00m	1.33	0.62	0.45	2.4
			18.00m & above but less than 27m	1.33	0.73	0.64	2.7
			27 m and above	1.33	0.84	0.83	3.0

Sr No	Areas	Zone	Road width	Zonal (Basic)	Additional FSI on payment of Premium	Admissible TDR	Permissible FSI (4+5+6)	
II	Suburbs and Extended Suburbs							
	i	The area earmarked for BARC from M Ward	Residential/Commercial		0.75	-	-	0.75
	ii	Areas of the village of Akse, Marve and CRZ affected areas of Erangal in P/North Ward excepting gaathan proper.	Residential/Commercial		0.5	-	-	0.50
	iii	The remaining area in Suburbs and Extended Suburbs	Residential/Commercial	Less than-9m	1.0	-	-	1.0
				9m & above but less than 12.00m	1.0	0.5	0.5	2.0
				12.00 m& above but less than 18.00m	1.0	0.5	0.7	2.2
				18.00m & above but less than 27m	1.0	0.5	0.9	2.4
				27 m and above	1.0	0.5	1.0	2.5
III	Island City	Industrial		1.0	-	-	1.0	
IV	Suburbs and Extended Suburbs	Industrial		1.0	-	-	1.0	

Note – 1) The plots abutting public roads having existing width of minimum 6m but less than 9m which are proposed to be widened to 9.0 m or more then permissible FSI shall be as admissible for 9m road width.

2) TDR & additional FSI on payment of premium Ratio can be change by Government from time to time keeping the total Cap as it is.

2 The permissible FSI shall be on plot area excluding area under DP roads/roads for which sanctioned Regular line as per MMC Act is prescribed, as per regulation 16,14 (amenity plots), and area of DP Reservation to be surrendered to MCGM/Appropriate Authority under Regulation no 17.

3 In case of Sr. No. 2 above;

a) TDR as per regulation 32 Table 12(A) of land surrendered to MCGM/Appropriate Authority as per Sr. No. 2 above may be allowed to be consumed in the form of FSI as per column no 6 of table No. 12 above on the remainder/balance plot within the admissible limit of TDR except in case of development of reserved area under the principle of Accommodation Reservation (AR) under regulation 17. In case of development of reserved area under AR the Note 20(vii) & (viii) of regulation 17(1) shall be made applicable.

Provided further that FSI equivalent to TDR as per Table 12 A of Regulation 32, in lieu of road widening or roads proposed under the D.P. or the MMC Act, 1888 as per Regulation 16 may be allowed to be utilized over and above the permissible FSI as per column 7 of table 12, on remainder plot.

b) TDR in lieu of cost of construction of built up amenity to be handed over as per the provisions of Regulation number 17(1) note 1(d) for Regulation 14, 15 & 17 shall be permissible within permissible BUA or owner may avail the TDR if not consumed on the remainder land as per these Regulations.

c) If owner/developer is unable to consume even Zonal (basic) FSI due to planning constraints, he shall be entitled for TDR for the unconsumed BUA thereof including a & c above. **(Kept in abeyance)**

In such cases, no additional FSI on payment of premium/TDR shall be allowed to be utilized on remainder /balance plot.

4 The permissible FSI shall be on plot area including areas to be surrendered to MCGM/Appropriate Authority under Regulation no 35 (development of cotton textile mills). **(Kept in abeyance)**

5. BUA so arrived shall be allowed to be consumed on the balance plot after handing over of Reservation/Amenity/Plot/DP road/roads for which sanctioned Regular line is prescribed as per MMC Act to MCGM within the admissible limit.

6. Premium shall be charged for 'additional FSI on payment of premium' (as per column no 5 of table no 12) for BUA at the rate of 50% of the land rates as per ASR (for FSI 1) of the year in which such FSI is granted or as may be decided by Govt. from time to time. Premium so recovered shall be shared between the State Govt., MCGM, MSRDC and Dharavi Authority on 25:25:25:25 basis. The MCGM shall utilize the premium for implementation of D P.

Provided further that utilization of 'additional FSI on payment of Premium' and TDR is optional and can be utilized in any sequential manner subject to limit prescribed in column no 5 & 6 of Table No 12 above & shall be non-transferable. 'Additional FSI on payment of Premium' is to be granted on application and payment of premium & shall be used on the same plot only.

7. A Development cess at the rate of 100% of Development charge, for BUA over and above the Zonal (basic) FSI/protected BUA whichever is higher (excluding fungible compensatory area) in accordance with the Time Schedule for such payment as may be laid down by the Commissioner, MCGM shall be paid. This development cess shall not be applicable to BUA to be handed over to MCGM/Appropriate authority & BUA which are excluded from FSI computation. This



Development cess shall be in addition to development charges levied as per section 124 of MR&TP Act 1966. This development cess shall not be applicable for proposals of Govt. /MCGM executed departmentally.

The payment of Development cess as detailed above will not be payable in cases where development cess is proposed under Regulation no 33(3), 33(3(A), 33(3(B), 33(5), 33(7), 33(7)(A), 33(9), 33(9)(B),33(10),33(11)and for development where the payment of off-site infrastructure charges/development cess is applicable and for these Regulations development cess/off-site infrastructure charges shall be payable as described in the concerned Regulations.

- 8 The owner shall give advance possession of the land to be handed over to MCGM/MHADA/Appropriate Authority, wherever applicable, at the time of seeking permission for development of plot. It shall be the responsibility of the land owner to clear off all encumbrances and complete the formalities towards transferring the land in the name of MCGM/MHADA/Appropriate Authority in Land Revenue Record.
- 9 The aforesaid plot, free of encumbrances, shall be handed over to MCGM/MHADA/Appropriate Authority within twenty four months from the date of approval of building plans/approval of the layout. The FSI of such plot can be utilized on remainder plot only after handing over of such plot to MCGM or before availing Zonal (basic) FSI beyond 75% of plot area or granting Occupation Certificate to any of the buildings, whichever is earlier. The ownership of such plot shall be transferred in the name of MCGM/ MHADA/Appropriate Authority in Land Revenue Records before seeking occupation to any of the buildings in the layout other than amenity.
- 10 The area of built up amenity shall be counted in FSI initially and after handing over of said built up amenity, the area of built up amenity shall be allowed free of FSI. Commencement Certificate in respect of BUA in lieu of the built-up amenity to be handed over to MCGM under AR can be granted only after handing over of such built up amenity
- 11 Fungible Compensatory Area/BUA shall be permissible over and above permissible FSI as per column no 7 of Table No.12 above and as per the provisions of Regulation no 31(3).
- 12 The Development of plots under combination of various regulations shall be permissible, but the maximum permissible FSI on plot shall not exceed the permissible FSI limit prescribed in respective regulations.
- 13 TDR in lieu of balance BUA after loading of "additional FSI on payment of premium & Admissible TDR" as per table 12 above shall not be permissible.
- 14 In case of development as per this regulation and/or under the provisions of 33(2), 33(3), 33(3) (A), 33(3) (B), 33(8) (B), 33(11), 33(20) (A) the premium shall be applicable to the Central Govt. and their statutory bodies/Central Govt. undertaking/State Govt. undertaking etc. except State Govt. and MCGM itself.

Note: (1) Area of Layout open spaces as required under Regulation No 27 shall not be deducted for the computation of BUA/FSI.

(2) In case of new Development/Redevelopment proposal under this Regulation, where the plot is affected by Road line/DP Road/Reservation and where the land affected by Road line/DP Road/Reservation is either merged or handed over to MCGM/Appropriate Authority &where FSI benefit of the same had already been taken in the earlier development proposal as per then prevailing Regulation or monetary compensation had been claimed in the past, but ownership has not been transferred in the name of MCGM/Appropriate Authority, in such cases the plot area shall be reckoned after deduction of such areas.

(3) The Occupation Certificate for buildings constructed out of last 25% of admissible FSI for residential/commercial use shall be granted by the Commissioner only after recreational area is developed and structure for recreational activities are actually provided on site. Provided further that in case of layout having 2 or more buildings, development of proportionate recreational area may be permitted subject to completion of entire recreational area & structure thereon for recreational activities prior to seeking occupation of last buildings.

(4) In case of Government/Semi-Government Department and Organizations/Public Sector Authorities/Undertakings such as the Atomic Energy Department, the Civil Aviation Department, International Airport Authority of India, Defence authorities, Railway authorities and the Mumbai Port Trust, for computing the available FSI, the area of lands not Existing Amenity/reserved but shown as such in the DP for the following purpose shall be excluded:

- i. Playgrounds, stadia, golf courses;
- ii. Parade grounds, training grounds, firing ranges;
- iii. Green areas within their complexes;
- iv. Lands kept open for operational purposes;
- v. Lands under major internal roads;
- vi. Railway tracks and yards;
- vii. Lands unauthorizedly reclaimed;
- viii. Lands of air-fields and air-strips.

**(B) Tenement Density**

1. Maximum tenement density shall be 450 per ha for FSI 1.00 and shall be appropriately increased/reduced proportionate to FSI 1.00.
2. Minimum tenement density for Rehabilitation and Resettlement/ affordable housing plots/shall be 325 per ha for FSI 1.00 and shall be appropriately increased/reduced proportionate to FSI 1.00.

**(C) Protected Development**

- (a) The FSI permitted as per Table No. 12 will be allowed to be exceeded for redevelopment of existing authorized building to the extent of existing authorized development rights/BUA and shall be also entitled for the additional FSI as per relevant regulations.

Provided further that in cases where benefit of additional FSI as per the then prevailing regulations was availed for the purpose of educational, medical, starred category hotels, religious development and Information Technology establishments and if redevelopment is proposed by discontinuing such users, then such additional BUA will not be protected. The development shall have to be in consonance with the provisions of these Regulations. The premium paid in past for such user will not be adjusted.

- (b) In cases where development is not completed, it shall be permissible to avail the balance development rights as permissible under these Regulations by utilizing the TDR or additional FSI on payment of Premium by adjusting the payments made earlier for availing FSI if any, or payments made for grants of any concessions, condonations etc. but no refund shall be permissible.

Provided that if the development is proposed to the extent of protected built-up area only as per a) above, 9 m road width shall be considered adequate. However, if development is proposed with more area than protected as per regulation then, the restrictions as per regulation 19(2) shall be applicable.

### **31. Exempted from FSI/to be counted in FSI/ Fungible Compensatory Area**

#### **(1) Exemption from FSI**

The following shall not be counted in FSI

- (i) Areas of structures permitted in LOS under clause (g) of sub-Regulation (1) of Regulation No 27.
- (ii) Areas covered by features permitted in open spaces as listed in Regulation No.42 except for Regulation 42(i) (b), 42(ii)(d),42(ii) (e) (ii) , 42(ii) (f) (ii)
- (iii) Areas covered by staircase rooms, lift machine rooms above topmost storey, staircase/lift wells and passages in stilt, basement and floors exclusively used for parking and other ancillary uses as permitted in this Regulation No.31(1)
- (iv) Areas covered by staircases/lift wells including lobbies as specified, excluding those covered under DC Regulation No.31 (1) (iii) with special written permission of the Commissioner subject to payment of premium.

Such exclusion from FSI computation shall not be applicable in case of existing buildings.

Provided further that where the permissible FSI has not been exhausted in the case of existing buildings and cases decided by the Corporation prior to coming into force of these Regulations, the exclusion from FSI computation as in these Regulations will be available for construction of balance potential,

Provided further that for the reconstruction scheme under Regulation No. 33(6), 33(7)A, 33(7)B such exclusion will be permissible as hereunder: -

If staircase, lift & lift lobby areas are claimed free of FSI by charging premium as per then prevailing Regulation, then such areas to that extent only will be granted free of FSI without charging premium. If staircase, lift & lift lobby areas are counted in FSI in earlier development, such areas may be availed free of FSI by charging premium as per these Regulations.

- i. While working out total existing BUA, the BUA of existing staircase will not be taken into account.
- ii. Premium for the area of the staircase and lift-well will be recovered after working out the area of the staircase and lift-well in the proposed building minus area of the existing staircase, lift-well etc., if any
- (v) Area of the basement used exclusively for parking and other ancillary uses as permitted in Regulation No. 37(7) (iv) (b, c, d, e & j).
- (vi) Area of covered parking spaces as provided in sub-Regulation (6) (a) of Regulation No.44

Provided, however, that additional parking to the extent of 50% of the required parking may be permitted without payment of premium.

Provided further that in non-residential building, where entire parking is proposed by mechanical/ automatic means, additional parking to the extent of 20% of the required parking shall be permitted free of FSI as vehicle holding area.

- (vii) Area of one office room as provided in sub-Regulation (9) of Regulation 37
- (viii) Lofts [vide sub-Regulation 4 of Regulation 37]
- (ix) Porches [vide sub-Regulation (18) of Regulation 37].
- (x) Canopy [vide sub-Regulation (19) of Regulation 37].
- (xi) Area of structures for an effluent treatment plant, Water Treatment Plant, Sewerage Treatment Plant as required to be provided, as per the requirements of the MPCB or other relevant authorities:  
  
Provided, however, in the case of an existing industry, if no vacant land is available the Commissioner may permit structures with dimensions to be approved by him for such effluent treatment plant on 15 per cent layout open space.
- (xii) A chajja, cornice, weather shade, sun-breaker, at lintel level, only & vertical fins (excluding column); projecting not more than 1.2 m. from the face of the building as provided in sub regulation no. 42 (ii) (e)(i).
- (xiii) A chajja, cornice, weather shade, sun-breaker over a balcony or gallery, as provided in sub regulation no. 42(ii)(f)(i)
- (xiv) Area covered by elevated/underground water reservoirs/tanks, electric sub-stations, Distribution Sub Station, pump houses, facility for treatment of wet waste in situ.
- (xv) Area covered by new lift and passage thereto in an existing building with a height up to 16m. in the Island City [vide clause (ii) (f) of sub-Regulation (17) of Regulations 37]
- (xvi) Area of a covered passage of clear width not more than 1.52m (5ft.) leading from a lift exit at terrace level to the existing staircase so as to enable descent to lower floor in a building to reach tenements not having direct access to a new lift in a building without an existing lift.
- (xvii) Area of one fitness centre /Yogalaya for a Co-Op. Housing Society or Apartment Owners Association as provided in sub-regulation 37(28).
- (xviii) The fire chutes as provided under DC Regulation No. 48(9)
- (xix) The refuge areas subject to DC Regulation No. 48(8)
- (xx) Service Floor of height not exceeding 1.8 m or as stated in Regulation No.37(32).
- (xxi) Entrance lobbies in stilted portion, height not exceeding 7.2 m. or height equivalent to two floor or height of stilt whichever is more.
- (xxii) Open to sky swimming pool at the terrace above the top most storey or on the top most podium only.
- (xxiii) Area of the service ducts abutting Sanitary Block, kitchen not exceeding 1.2 m. in depth. In case of high rise buildings higher width/size as per requirement and design approved by Commissioner but not exceeding 2.0 m.
- (xxiv) Ornamental projection of cladding/glass façade/glazing not exceeding 0.30 m from building line for residential/non-residential building.
- (xxv) Area covered by chimney, elevated tanks (provided its height below the tank from the floor does not exceed 1.5 m)

- (xxvi) Area of sanitary block for use of domestic servants engaged in the premises, not exceeding 2.2 sq. m at staircase mid-landing level and/or at stilt level, area of sanitary block for use of drivers engaged by the car owners not exceeding 2.2 sq. m at each of the parking floor level /podium. In case number of car parks exceeds 200 per parking floor level /podium, additional sanitary block for every 200 cars or part there of shall be allowed.
- (xxvii) Letter boxes as specified in Regulation No 37(10) (b)
- (xxviii) Parking floors as specified in Regulation No37(30)
- (xxix) Area of DG set at stilt and podium level as specified in Regulation No 37(31)
- (xxx) Area of DG set, electric sub-station with protective walls having voids/perforated walls above 1 m height, at stilt and podium level or in side and rear marginal open space, or in a separate independent structure specified in Regulation No 37(31)
- (xxxix) Electrical Duct/ fire duct of clear depth not more than 0.45 m and not abutting to any habitable room.
- (xxxii) Area of electric meter/service utility room/rooms having area of 10 sq. m per 50 tenements at Basement /Ground/Stilt/Podium. In case of High Rise building the meter room may be allowed as per the specific requirements of Electric Supply Company.
- (xxxiii) Refuse Chute/Garbage Shaft as specified in Regulation No.37(12)
- (xxxiv) Elevation feature or dome like structure above water tank/lift machine room/staircase room up to 2 m for building with height beyond 32 m & up to 70 m, 6 m for the building height beyond 70 m and up to 120 m and up to 9 m for building with height beyond 120 m with 60% voids in surface area/profile may be allowed.
- (xxxv) Area required for Rain Water Harvesting Arrangement, Non-conventional Energy System as per these Regulations.
- (xxxvi) Advertisements and sky signs, covered areas required on topmost terrace for antenna/dish antenna/communication tower used for Telecom not exceeding 20 sq. m.
- (xxxvii) Area required for Cooling Towers/Chilling Plants (open to sky) only beyond the required marginal open spaces or on terrace floor.
- (xxxviii) Area for Laundry, Boiler Room for Hotels, Hospitals & Hostels as specified in Regulation No.37(7).
- (xxxix) Room with maximum size 5 sq. m, for Battery back-up for solar water heater and/or for common lighting in basement or on terrace.
- (xxxx) Entry gate over Arch.

Note:

- i. Areas covered by the projections exceeding those specified in clauses xii, xiii, xxiii, xxiv and xxxiii above shall be counted in FSI.
- ii. Open to sky swimming pool at any level other than (xxii) above and excluding at ground level as provided in Regulation No 42 (ii)(a), shall be counted in FSI.
- iii. Any passage by whatever name not covered under DCR 31(1) shall be counted in FSI.

**(2) The following shall be counted in FSI.**

- (i) Covered parking spaces/Garage as provided under Regulation No. 44 (6)(d)
- (ii) Area of fire escape balcony as provided in Regulation No 48(6)
- (iii) Area of Sanitary block for the use of domestic servants engaged in the premises, other than as provided as per Regulation No 31(1) ((XXVI)
- (iv) Part/Pocket/Covered terraces, for whatever purpose, except open terrace above the top most storey and the part terrace at top most storey due to planning constraints but accessible from common staircase, terraces created due to restriction imposed by the Railway Authority and above shopping/Non-residential / Industrial area at one level only with a slope of 1:5, in case of residential / Non-residential/Industrial development on upper floors.
- (v) Area below open to sky swimming pool, clearance exceeding 1.5 m. from floor level.
- (vi) Air conditioning plant room/Air handling unit room, except provided in basement.
- (vii) Service floor other than specified in Regulation No.37(32) and 31(1)(xx).
- (viii) Area of balconies as provided in sub regulation 20 of Regulation No 37.
- (ix) Niches below window sill.
- (x) Area of one public telephone booth and one telephone exchange (PBX) room per building.
- (xi) The ornamental projection, including the voids, flower beds, etc. projecting from the face of the building except at the terrace level other than allowed as per Regulation No 31(1) (ii).
- (xii) Ornamental projection, flower bed etc. over a balcony or gallery other than allowed as per Regulation No 31(1) (ii).
- (xiii) Area of one room for installation of telephone concentrators as per requirements of Mahanagar Telephone Nigam limited.
- (xiv) Letter box room as specified in Regulation No 37(10) (a).
- (xv) Covered areas required on top terrace for antenna/dish antenna/communication tower used for Telecom (basic cellular or satellite telephone) or ITE purposes, V-Sat, Routes, Transponders or similar IT related structure or equipment, in excess of 20.00 sq. m.
- (xvi) The parking floor in excess of required parking under these regulation [31(1)(vi)]and for which the premium has been paid. Deck parking inclusive of car lifts and passages thereto on habitable floors.
- (xvii) Driver's room/sanitary block on podium and or parking floor other than mentioned in Regulation No.31(1)(xxvi).
- (xviii) Covered swimming pool.
- (xix) Area of DG set room at stilt and podium level other than mentioned in Regulation No 31(1)(xxx)

**(3) Fungible Compensatory Area: -**

Notwithstanding anything contained in the D.C. Regulations 30, 32 & 33, the Commissioner may, by special permission, permit fungible compensatory area, not exceeding 35% for residential/

Industrial /Commercial development, over and above admissible FSI/BUA, by charging a premium at the rate of 50% for Residential and 60% for Industrial and Commercial development of ASR (for FSI 1), which is to be shared between MCGM, State Govt. and MSRDC (for Sea Link) in 50%, 30% and 20% respectively.

Provided that in case of redevelopment under regulation 33(7),33(7)(A), 33(8), 33(9), 33(9)(B), 33(20), and 33(10) excluding clause No.3.11 of the Regulation the fungible compensatory area admissible on AH /R&R component shall be granted without charging premium.

In case of redevelopment under regulation 33(5), 33(6) & 33(7)(B) of the Regulation the fungible compensatory area admissible on existing BUA shall be granted without charging premium.

Provided further that in case of redevelopment schemes of EWS/ LIG category under Regulation 33(5) where rehab entitlement not exceeding 35 sq.mt, then fungible compensatory area on such rehab entitlement shall be granted without charging premium.

Provided further that for redevelopment proposal of existing buildings by availing TDR/Additional FSI on payment of Premium, the fungible compensatory area admissible on FSI consumed in existing building shall be granted without charging premium, if existing user is proposed to be continued in proposed redevelopment then it shall be granted without charging premium.

Provided further that such fungible compensatory area for rehabilitation component shall not be used for free sale component and may be used to give additional area over and above eligible area to the existing tenants/occupants. Fungible compensatory area admissible to one rehabilitation tenement cannot be utilized for another rehabilitation tenement.

Provided that, this Regulation shall be applicable only in respect of the buildings to be constructed or reconstructed.

Provided also that in case of development under Regulation No. 33(15), the fungible compensatory area shall be admissible without charging premium.

“Provided that in case of development under Regulation No. 33(2) excluding buildings of private medical institutions under Regulation No. 33(2)(A), the fungible compensatory area shall be admissible on 50 % rebate in premium to be charged as per this regulation and the development under Regulation No 33(3) shall be admissible without charging premium for MCGM & State Govt. only.

*Explanatory Note: -*

- i. Where IOD/IOA has been granted but the building is not complete then this Regulation shall apply, only at the option of the owner/developer,
- ii. For plots/layouts, where IOD is granted for partial development, this Regulation will apply for the balance potential of the plot,
- iii. The fungible compensatory area is useable as regular FSI,

Note:

(a) The premium paid for fungible compensatory area prior to coming into force of this Regulation particularly in case of Commercial/Industrial development will not be adjusted for grant of additional fungible compensatory area under this regulation, and premium if any, as per this Regulation shall have to be paid. Fungible Compensatory area granted under Regulation 35(4) of DCR 1991 shall be continued as Fungible Compensatory Area under Regulation 31(3) of DCPR 2034 & no premium shall be demanded or refunded or adjusted for such area.

(b) The premium amount collected shall be kept in a separate Account to be utilized for infrastructure development.

(c) The deficiency in open space created due to utilization of fungible compensatory area shall be condoned by charging premium at 25% of normal premium.

### **32 Transfer of Development Rights (TDR)**

#### **1.0 TRANSFERABLE DEVELOPMENT RIGHTS –**

*Transferable Development Rights (TDR)* is compensation in the form of Floor Space Index (FSI) or Development Rights which shall entitle the owner for construction of built-up area subject to provisions in this regulation. This FSI credit shall be issued in a certificate which shall be called as *Development Right Certificate (DRC)*.

Development Rights Certificate (DRC) shall be issued by Municipal Commissioner under his signature and endorse thereon in writing in figures and in words, the FSI credit in square meters of the built-up area to which the owner or lessee is entitled, the place from where it is generated and the rate of that plot as prescribed in the Annual Statement of Rates issued by the Registration Department for the concerned year.

#### **2. CASES ELIGIBLE FOR TRANSFERABLE DEVELOPMENT RIGHTS (TDR) :-**

Compensation in terms of *Transferable Development Rights (TDR)* shall be permissible for-

(i) lands under various reservations for public purposes, new roads, road widening etc. which are subjected to acquisition, proposed in Draft or Final Development Plan, prepared under the provisions of the Maharashtra Regional and Town Planning Act, 1966;

ii) lands under any deemed reservations according to any regulations prepared as per the provisions of Maharashtra Regional & Town Planning Act, 1966;

iii) lands under any new road or road widening proposed under the provisions of Mumbai Municipal Corporation Act, 1888;

iv) development or construction of the amenity on the reserved land;

v) unutilized FSI of any structure or precinct which is declared as Heritage structure or Precinct under the provisions of these Regulations, due to restrictions imposed in that regulation;

vi) in lieu of constructing housing for slum-dwellers according to regulations prepared under the Maharashtra Regional & Town Planning Act, 1966;

vii) The purposes as may be notified by the Government from time to time, by way of, modification to, new addition of, any of the provisions of sanctioned Development Control & Promotion Regulations.

viii) If the owner of a unreserved accessible plot not falling in SDZ/NA is willing to offer the land for public purpose and the Municipal Commissioner, MCGM is of the opinion that such land is suitable for public purpose then such land shall be deemed to be a reservation and eligible for grant of TDR under this regulation.

ix) The TDR of lands owned by Central Govt./State Govt. and its undertakings and which are allotted by payment of market value & which are reserved in Development plan for public purpose shall be eligible. However, TDR shall not be eligible to the lands under reservations which are granted on lease at concessional rates by the Central Govt. and State Govt.

#### **3.0 CASES NOT ELIGIBLE FOR TRANSFERABLE DEVELOPMENT RIGHTS ( TDR ):-**

It shall not be permissible to grant *Transferable Development Rights (TDR)* in the following circumstances:-



- i) For earlier land acquisition or development for which compensation has been already paid partly or fully by any means;
- ii) Where award of land has already been declared and which is valid under the Land Acquisition Act, 1894 or the Right to Fair Compensation & Transparency in Land Acquisition, Rehabilitation and Resettlement Act, 2013 unless lands are withdrawn from the award by the Appropriate Authority according to the provisions of the relevant Acts.
- iii) In cases where layout has already been sanctioned prior to these regulations and layout roads are incorporated as Development Plan roads.
- iv) In cases plotted layout where layout is submitted along with proposed Development Plan Road, in such cases TDR shall not be permissible for the width of road that would be necessary according to the length as per these Regulations;
- v) If the compensation in the form of FSI / or by any means has already been granted to the owner.
- vi) Where lawful possession including by mutual agreement /or contract has been taken.
- vii) For an existing user or retention user or any required compulsory open space or layout open space , in any layout required /provided as per these Regulation.
- viii) For any existing amenity , allocation of the use or zone which is not subjected to acquisition.
- ix) The incentive TDR will not be applicable to deemed reservations.
- x) Existing nalla, River, Natural Stream, Natural Pond, Tank, Water bodies etc.

#### 4.0 GENERATION OF THE TRANSFERABLE DEVELOPMENT RIGHTS ( TDR ) –

##### 4.1 Transferable Development Rights (TDR ) against surrender of land :-

4.1.1 For Surrender of the gross area of the land which is subjected to acquisition, free of cost and free from all encumbrances, the owner shall be entitled for TDR or DR irrespective of the FSI permissible or development potential of the very said land to be surrender and also that of land surrounding to such land at the rate as given below:-

**Table No. 12A.**

Sr No	Instances	Extent of TDR		Remarks/conditions
1	a) If plot of land reserved for public purpose in the DP, RL, Nala widening, Land required for public purpose as per clause 2(viii) of this Regulation and deemed reservation and land is transferred in the name of MCGM/Appropriate Authority.	Area under reservation	Entitlement for TDR/DR	a) Where FSI benefit is not approved in the development proposal on remainder plot & no TDR/monitory compensation is availed due to no fault of Landowner. b) award is not declared under relevant Act or any compensation has not been paid
	Mumbai City area (island City)	2.5 times the area of surrendered land. (Maximum 2.5)		
	Mumbai Suburban/ Extended Suburban	2 times the area of surrendered land. (Maximum 2.00 )		

	b) Setback due to Subsequent Road widening / Proposed DP Road in case where development of plot/layout is completed in all respect/where no development is proposed/is in progress at the time of handing over of such area to MCGM.	TDR equivalent to the Zonal (basic) FSI of land so transferred.							
2	In case of regulation 33(7), 33(8), 33(9), 33(10), 33(11), 33(20)(B)	As prescribed under the relevant provision of DCPR							
3	Heritage buildings	<table border="1"> <thead> <tr> <th>Area under reservation</th> <th>Entitlement for TDR/DR</th> </tr> </thead> <tbody> <tr> <td>Mumbai City area (island City)</td> <td>2.5 times the unconsumed plot area as per zonal (basic FSI)</td> </tr> <tr> <td>Mumbai Suburban / Extended Suburban</td> <td>2.0 times the unconsumed plot area as per zonal (basic FSI)</td> </tr> </tbody> </table>	Area under reservation	Entitlement for TDR/DR	Mumbai City area (island City)	2.5 times the unconsumed plot area as per zonal (basic FSI)	Mumbai Suburban / Extended Suburban	2.0 times the unconsumed plot area as per zonal (basic FSI)	<p>Where the Development of building is not permissible as per provision of Regulation No 52 and with the permission of Municipal Commissioner in consultation with &amp; on recommendation of MHCC</p> <p>The potential of the plot shall be perpetually reduced and freed to the extent of Existing BUA of the Structure.</p>
Area under reservation	Entitlement for TDR/DR								
Mumbai City area (island City)	2.5 times the unconsumed plot area as per zonal (basic FSI)								
Mumbai Suburban / Extended Suburban	2.0 times the unconsumed plot area as per zonal (basic FSI)								
4	<p>Encumbered plots which are required for implementation of public project on very urgent basis</p> <p>a) In case of land which are fully encumbered and where encumbrances had/have to be removed and rehabilitated elsewhere by the project implementing authority,</p>	a) To the extent of 50% of BUA as per Zonal (basic) FSI of the plot area.	<p>Project Implementing authority shall separately certify the area of land which was vacant and the area of land under encumbrance along with details as per the joint measurement survey carried out in this respect with the City Survey Officer. The area of vacant land and land under encumbrance shall be clearly distinguished and demarcated, otherwise the land</p>						

	<p>b. which are partly encumbered and where encumbrance are/were removed and rehabilitated elsewhere by the Project Implementing authority,</p>	<p>(b)(i) For the portion of land which is/was vacant as per serial no 1(a) of this table</p> <p>(ii) For the portion of land which is/was encumbered to the extent of 50% of BUA as per Zonal (basic) FSI of the vacant plot area.</p>	<p>under part encumbrance shall be treated as fully encumbered land.</p> <p>The owner has to follow the procedure laid down by the MCGM for availing the DRC.</p>
--	---	---	---

(Explanation: Above entitlement may also be applicable to the compensation paid in the form of FSI to the owner to be utilised on unaffected part of same land parcel and in such cases the procedure of DRC shall not be insisted.)

Provided that, if leveling of land and construction/erection of the compound wall / fencing as per Clause No. 4.1.2 to the land under surrender is not permissible as per the prevailing Development Control & Promotion Regulations/ not insisted by MCGM then the developer will have to pay the cost construction / leveling to MCGM as per policy of MCGM or else the quantum of TDR shall be reduced to 1:2.35 and 1:1.85 in Mumbai City area ( island city) and Mumbai Suburban /Extended Suburban area respectively.

Provided also that Additional / incentive Transferable Development Rights (TDR) to the extent of 10 % and 5% of the surrendered land area shall also be allowed to the land owners who submit the proposal for grant of Transferable Development Rights (TDR ) and if land is surrendered to MCGM within 24 months and 36 months respectively from the date of coming into force of these Regulations. The owner may opt for the said entitlement in the form of FSI on the balance plot or in the same layout as permissible under these Regulations.

Provided that the quantum of Transferable Development Rights (TDR) generated for D.P. Road/ reservation in CRZ/BDP/HTHS/Low Density Zone/ Hazardous Zone/ Special Development Zone areas or in areas which have some natural or legal impediment or constraint on construction or development etc. shall be 50% of normal TDR generated as prescribed above in Table 12 A of these Regulations, provided that the Municipal Commissioner shall be satisfied that the said land can be used for the intended purpose.

Provided further that in case of Govt. land which are fully encumbered then the TDR of such encumbered plot shall be granted as per the clarifications given by the Govt. from time to time.

**4.1.2** DRC shall be issued only after the land is transferred to the Municipal Corporation, only after compliance of conditions stipulated in these regulations and after handing over and taking over possession of the reserved land for which TDR is sought at free of cost and free from encumbrances and after leveling the land to the surrounding ground level and after constructing / erecting compound wall / fencing at the cost of the owner and to the satisfaction of the Municipal Commissioner. *Provided that*, if on certain lands such construction / erection of compound wall / fencing is prohibited or restricted by any regulation or not insisted by MCGM, then the developer will have to pay the cost of construction / leveling to MCGM as per policy of MCGM or else quantum of *Transferable Development Rights (TDR )* shall be reduced as prescribed in proviso to Clause 4.1.1.

Provided further that such construction/erection of compound wall/fencing shall not be necessary for area under Development Plan roads/ set back due to road widening. In such cases TDR equivalent to entitlement as mentioned in regulation no 4.1.1 shall be granted without any reduction.

**4.1.3** If any contiguous land of the same owner/developer, in addition to the land under surrender for which *Transferable Development Rights (TDR)* is to be granted, remains unbuildable, the Municipal Commissioner may grant *Transferable Development Rights (TDR)* for such remaining unbuildable land also if the owner / developer hands it over free of cost and free from all encumbrance and encroachment. If such land is from the proposed roads then such land shall be utilized for road side parking, garden, open space or road side amenities including bus bays, public toilets or any compatible user as the Commissioner may decide and if such land is from the proposed reservation then same shall be included in such proposed reservation and shall be developed for the same purpose. The Municipal Commissioner shall quarterly report such cases to Government.

#### **4.2 Transferable Development Rights (TDR) against Construction of Amenity-**

When an owner or lessee with prior approval of Municipal Commissioner, develops or constructs the amenity on the plot to be surrendered, at his own cost subject to such stipulations as may be prescribed and to the satisfaction of the Municipal Commissioner and hands over the said developed/constructed amenity along with amenity plot free of cost to the Municipal Commissioner then in addition to land TDR he may be granted a *Transferable Development Rights (TDR)* against construction of such amenity as per the following formula:-

**Construction Amenity TDR in sq.m. = A/B \* 1.5\* BUA**

Where,

A= cost of construction of amenity in rupees as per the rates of construction mentioned in Annual Statement of Rates (ASR) prepared by the Inspector General of Registration for the year in which construction of amenity is commenced.

B = land rate per sq. m as per the Annual Statement of Rates (ASR) prepared by the Inspector General of Registration for the year in which construction of amenity is commenced.

BUA = Built up area of constructed/developed amenity.

Provided that in case Slum Redevelopment Scheme under clause 3.11 of Regulation 33(10) the Construction Amenity TDR shall be increased by 1.35 times the TDR generated as per above formula.

#### **5.0 UTILISATION OF TRANSFERABLE DEVELOPMENT RIGHTS ( TDR ):--**

**5.1** A holder of DRC who desires to use FSI credit therein on a particular plot of land shall attach valid DRCs to the extent required with his application for development permission. Proposal for *Transferable Development Rights (TDR)* utilisation shall be submitted along with the documents as may be prescribed by the Commissioner or by the Government from time to time.

**5.2** With an application for development permission, where an owner seeks utilisation of DRC, he shall submit the DRC to the Municipal Commissioner who shall endorse thereon in writing in figures and words, the quantum of the TDR proposed to be utilised, before granting development permission.

**5.3** The *Transferable Development Rights (TDR)* generated from any land use zone shall be utilised on any receiving plot irrespective of the land use zone and anywhere in Mumbai City area ( island city) and Mumbai Suburban /Extended Suburban area. The equivalent quantum of *Transferable Development Rights (TDR)* to be permitted on receiving plot shall be governed by the formula given below:-

**Formula:  $X = (Rg / Rr) \times Y$**

Where, X = Permissible Utilisation of TDR/DR in sqm on receiving plot

Rg = Rate for land in Rs. per sq.m. as per ASR of generating plots in generating year

Rr = Rate for land in Rs. per sq.m. as per ASR of receiving plot in generating year

Y = TDR debited from DRC in sq.m.

Note:- All TDR including slum and heritage TDR shall be utilized as per this regulation only.

#### 5.4 Utilization of TDR

**5.4 .1** Utilization of Transferable Development Rights (TDR) and Road Width Relation will be govern by regulation 30 (A) subject to following notes:-

**Note:-**

- i) The maximum permissible TDR that can be utilised on any plot shall be as per regulation 30(A) and/or as specified in these Regulations.
- ii) Maximum permissible TDR loading as mentioned above on any plot shall be exclusive of FSI allowed for inclusive housing if any.
- iii) The quantum of maximum permissible TDR loading mentioned above shall include slum TDR at least 20 % and maximum to the extent of 50% of column no. 6 of Table No. 12 regulation 30(A) or as decided by Govt. time to time. Slum TDR as per this regulation and DRC generated from the vary said land and/or DRC generated from other location may be utilised up to the permissible limit mention above.
- iv) If a plot is situated on access road having dead end within 50 mt. from the main road, having minimum width of 9m or more then such plot shall be treated as fronting on main road for the purpose of utilisation of TDR. Similarly, if the plot derives from 9m wide internal road then such plots also eligible for the purpose for utilisation of TDR.
- v) The relaxation premium for the use of slum TDR i.e.10% of normal premium shall be charged while condoning deficiencies in open spaces.

**5.4.2** The restrictions of total maximum permissible built up area in terms of FSI with respect to road width mentioned in these Regulation, shall not be applicable in cases where, the permissible FSI is more than the basic FSI in various schemes, like Slum Rehabilitation Scheme, Redevelopment of cess buildings, redevelopment of dangerous buildings, Urban Renewal Scheme, Redevelopment of MHADA buildings/Colonies, Metro Influence Zone, BRTs, TODs etc. and where specific provisions sanctioned by the Government shall apply.

**5.4.3.** The additional FSI permissible in certain categories of buildings such as, Educational building, Registered Charitable Institutional/ Medical / Hospital Building, Star Category Hotel, Religious Building etc. as per prevailing Regulations, if any, can be availed either by full or part utilization of TDR if permissible in this regulation or full or part utilization of additional FSI at the option of owner. However, the restriction of road width mentioned as per these regulations shall not be applicable when the owner exercises his option of availing utilization of additional FSI and in such cases limitation of maximum building potential as mentioned in regulation no 5.4.1 shall not be applicable.

**5.4.4** The utilisation of *Transferable Development Rights (TDR)* shall be permissible by considering Plot Area excluding area affected by reservations or deemed reservation or plot area to be surrendered under the provisions of Accommodation Reservation and development plan road/ prescribed R.L., to be handed over to MCGM/Appropriate Authority.

**5.4.5 Areas Restricted from Utilisation of *Transferable Development Rights (TDR)* :-**

Utilisation of *Transferable Development Rights (TDR)* shall not be permitted in following areas:-

DRC shall not be valid for use on receivable plots in the areas listed below:-

- (a) Areas in Special Development Zones and areas for which the Mumbai Metropolitan Region Development Authority or Maharashtra Housing and Area Development Authority or Maharashtra

Industrial Development Corporation or Mumbai port trust or any other Authorities appointed by Government as a Special Planning Authority;

- (b) On plots for housing schemes of slum dwellers for which additional FSI is permissible under sub-regulation (7), (9) & (10) of Regulation 33;

However, in cases where non-slum/non cessed plot is amalgamated with the slum/cessed plot for the purpose of better planning etc. then DRC will be receivable on the non-slum plot/ non-cessed plot. In such cases utilization of DRC shall be governed as per procedure and provisions stipulated in this Regulation and sub clause (B).

- (c) Areas where the Zonal (basic) FSI is less than 1.0.
- (d) Coastal regulation zone, except in cases where it is permissible to Utilised TDR as per CRZ Notification 2011 and subsequent amendment from time to time’.
- e) Area having developmental prohibition or restrictions imposed by any notification issued under the provisions of any Central/State Act (like CRZ regulations, Defense restriction areas, etc.) or under these regulations.

## 6.0 GENERAL STIPULATION:-

**6.1** Development Rights (DRs) will be granted to an owner or lessee, only for reserved lands which are retainable and not vested or handed over to the Government /Urban Local Bodies and not exempted under section 20 or 21 of the then Urban Land (Ceiling and Regulations) Act, 1976 and undertaking to that effect shall be obtained, before a Development Right is granted. In the case of schemes sanctioned under section 20 or 21 of the said Act, the grant of Development Rights (DRs) shall be to such extent and subject to the conditions mentioned in section-20 scheme and such conditions as the Government may prescribed. In case of non-retainable land, the grant of Development Rights shall be to such extent and subject to such conditions as the Government may specify. The provisions of this Regulation shall be subject to the orders issued by the Government from time to time in this regard.

Provided that, in case of lands having tenure other than Class-I, like Inam lands, tribal lands etc., N.O.C. from Competent Authority, mentioning i)share of Government and land holder ii)transfer of such land in the name of Planning / Appropriate Authority, shall be produced by the land holder at the time of submission of application for grant of TDR.

**6.2** DRC shall be issued by the Municipal Commissioner as a certificate printed on bond paper in an appropriate form prescribed by him. Such a certificate shall be a “transferable and negotiable instrument” after the authentication by the Municipal Commissioner. The Municipal Commissioner shall maintain a register in a form considered appropriate by him of all transactions, etc. relating to grant of, or utilisation of, DRC.

**6.3** The Commissioner shall issue DRC within 180 days from the date of application or reply from the applicant in respect of any requisition made by him, whichever is later.

## 6.4 Transfer of DRC-

**6.4.1** The Commissioner shall allow transfer of DRC in the following manner -

- i) In case of death of holder of DRC, the DRC shall be transferred only on production of the documents as may be prescribed by the Commissioner from time to time, after due verification and satisfaction regarding title and legal successor.
- ii) If a holder of DRC intends to transfer it to any other person, he shall submit the original DRC to the Commissioner with an application along with relevant documents as may be prescribed by the Commissioner and a registered agreement which is duly signed by Transferor and Transferee, for seeking endorsement of

the new holders name, i.e., the transferee, on the said certificate. The transfer shall not be valid without endorsement by the Commissioner and in such circumstances the Certificate shall be available for use only to the holder / transferor.

**6.4.2** The utilisation of TDR from certificate under transfer procedure shall not be permissible, during transfer procedure.

**6.5** The Commissioner may refrain the DRC holder from utilizing the DRC in the following circumstances:-

i. Under direction from a competent Court.

ii. Where the Commissioner has reason to believe that the DRC is obtained a) by producing fraudulent documents b) by misrepresentation,

**6.6** Any DRC may be utilised on one or more plots or lands whether vacant, or already developed fully or partly by erection of additional storeys, or in any other manner consistent with these Regulations,

**6.7** DRC may be used on plots/land having Development Plan reservations of buildable nature, whether vacant or already developed for the same purpose, or on the lands under deemed reservations, if any, as per these Regulations.

**6.8** DRC may be used on plots/land available with the owner after surrendering the required land and construction to the Planning Authority under the provisions of Accommodation Reservation. In such circumstances, for the purpose of deciding *Transferable Development Rights (TDR)* receiving potential, the total area of the reservation before surrender, shall be considered.

#### **6.9 Infrastructure Improvement Charges-**

The utilizer shall pay to the Planning Authority, an infrastructure improvement charges, for a proposed quantum of TDR to be utilised, at the rate of 5% of construction cost as per the prevailing Annual Statement of Rates.

#### **7.0 VESTING OF LAND :-**

**7.1** The Commissioner, before issuing DRC, shall verify and satisfy himself that the ownership and title of the land proposed for surrender is with the applicant, and get the Property Registered Card (PRC) to be corrected in the name of Planning Authority.

**7.2** In case the Appropriate Authority for reservation is other than Planning Authority, it shall be permissible for the Commissioner on the request of such authority to grant TDR under this regulation and hold such possession as a facilitator. Provided that, the Municipal Commissioner shall handover the possession of such land to concerned Appropriate Authority, after receipt of value of land, from such Appropriate Authority as per Annual Statement of Rates prevailing at the time of handing over possession of land under reservation.

Provided also that, if such Appropriate Authority is the State Government Department, the Municipal Commissioner shall handover the possession of such land to the concerned Department free of cost.

#### **8.0 EFFECT OF THIS REGULATION: -**

Provision of Generation of TDR from these regulations shall not be applicable where DRC has been issued prior to publication of these regulations. "However DRCs issued under the DCR-1991 of slum redevelopment & Heritage shall be allowed to be utilised as per DCR 1991 without indexation for one year only.

Provided that balance of DRCs issued under the DCR-1991 of slum redevelopment & Heritage shall be indexed for utilisation.

Provided also that old TDR purchased for utilisation on a specific plot with registered documents of sale and/or specific proposal for utilisation of such TDR pending in the ULBs prior to these regulations shall be allowed completely as per the DCR 1991.

Notwithstanding anything contained in these Regulation, at the option of owner/developer the TDR to be generated in the ongoing schemes as per Regulation 33(10) & 33(14) of DCR 1991 where CC is already issued which is valid & work is in progress accordingly, then in such cases the TDR generation & utilisation shall be allowed as per DCR 1991. Provided that the utilisation of such TDR as per then Regulation shall be allowed within period of 1 year from the date of issue of such DRC without indexation and balance quantum after one year shall be reworked as per DCPR 2034 for generation and indexed for utilization.

**(B) Additional Regulations for the grant of TDR to the Developers/Co-operative Housing Societies/NGOs in respect of slum rehabilitation scheme vide DCR 33(10) and DCR 33(11)**

1.The developer/society/NGO on a plot of land for which the Slum Rehabilitation Project is sanctioned under these Regulations shall be eligible for the award of TDR for the FSI, if any, difference between sanctioned FSI and FSI that can be utilized in-situ.

2.DRC for the TDR will be issued by the Commissioner, MCGM himself on recommendation by CEO (SRA). DRC shall state the DRs credit of BUA in square meters in figures and in words along with the details of place i.e. village/TP Scheme/Division, CS No/CTS No/FP No from where it is generated, year of issue of DRC and Ward in which the DRs are earned.

3.The BUA for the grant of DRC shall be equal to BUA of the sanctioned Slum Rehabilitation Project allowed to be taken in the form of TDR& as approved by CEO SRA.

4.When a buildable amenity on the reserved plot for which slum rehabilitation project is sanctioned, is handed over free of cost to the MCGM, the Commissioner may grant a further TDR due for the construction of the said amenity, as per Sr. No 3 of the table. A DRC will be issued only on the satisfactory compliance with the conditions prescribed in this Regulation.

5.A register, in a form considered appropriate by the Commissioner, shall be maintained of all transactions relating to grant or utilization of DRCs arising out of slum rehab projects.

**(C) Additional regulations for the grant of TDR to owners/lessees of heritage buildings/heritage precincts and conditions for grant of such rights**

1.As provided in Regulation No. 52 DRs of the owner/lessee of any Heritage building who suffers loss of DRs due to any restrictions imposed by the Commissioner or Government under Regulations No 52 shall be eligible for award of TDR in the form of FSI to the extent and on the conditions set out below at 2. Such award will entitle the owner of the Heritage Building to FSI in the form of a DRC which he may use himself or transfer to any other person.

2.For generating TDR, agreement with MCGM shall be executed stating that the heritage structure will be maintained by the Owner as decided by the Commissioner along with a clause of penalty for breach of conditions of agreement as may be decided by Commissioner and potential of the plot shall be perpetually reduced to the extent of existing BUA of the structure.



## PART VI ADDITIONAL FLOOR SPACE INDEX

### 33. ***Additional Floor Space Index (FSI) which may be allowed to certain categories:***

#### **33 (1) *Additional FSI to Religious building:***

The Municipal Commissioner may permit 0.5 FSI in addition to the Zonal (basic) FSI in respect of buildings of Registered Public Trust subject to following terms and conditions:

- i. NOC shall be obtained from Police Authority and Collector before applying for permission.
- ii. Additional FSI shall be used for religious purpose alone. However, without taking into account the additional FSI, ancillary residential/commercial uses will be permissible up to 10% of Zonal (basic) FSI.
- iii. Additional FSI shall be permissible to existing authorized religious user subject to structural stability.
- iv. Additional FSI shall be permissible subject to payment of premium at the rate of 25% of ASR of the land (For FSI 1) of the year in which such FSI is granted for the BUA and shall be equally shared between GoM & MCGM.
- v. The minimum area of plot shall be 250 sq. m.

#### **33 (2) *Buildings of Medical and Educational Institutions and Other Institutional Buildings covered under Regulation (2) (IV) (17) (g): -***

The Municipal Commissioner, by special permission, may permit up to FSI 5 for medical Institutions and FSI up to 4 for educational & other Institutional buildings including the Zonal (basic) FSI specified in Table No 12 in respect of buildings on independent plots of educational/medical institutions and institutional buildings of Govt./MCGM or public authorities or of registered public charitable trusts or of medical institutions run on cooperative basis established for charitable purposes and registered under the provisions of Income Tax Act or Maharashtra Cooperative Societies Act or private medical institutions subject to terms and conditions he may specify subject to minimum width of 13.40m except educational institutions;

Provided that in the case of additional FSI allowed to the above cited institutions, except institutional buildings of State Govt. & MCGM, premium for BUA, at the rate of 10% of the land rates as per ASR (for FSI 1) for educational institutions, at the rate of 15% of the land rates as per ASR (for FSI 1) for medical institutions, at the rate of 20% of the land rates as per ASR (for FSI 1) for the private hospitals, medical Institutions and at the rate of 30% of the land rates as per ASR (for FSI 1) for other institutional buildings shall have to be paid, beyond Zonal (basic) FSI. Govt. may from time to time change the rate of premium. The amount of premium shall be equally shared between Govt. and MCGM.

Out of the additional FSI beyond Zonal (basic) FSI, 50% may be availed by utilizing TDR (without payment of premium), provided that the utilization of such TDR will be allowed as per the option of the owner/developer.

In regard to other Institutional Buildings covered under Regulation (2) (IV) (17) (g), Govt./Municipal Commissioner may from time to time specify terms and conditions.

#### **(A) *Terms and Conditions for Medical Institutions and Institutional Building***

- (a) Additional BUA beyond Zonal (basic) FSI shall be utilized for bonafide medical purpose only.
- (b) 20% of the total beds and free treatment shall be given to EWS/persons below poverty line. In addition, 10% of the total number of patients in OPD shall be provided treatment at rates charged

in Govt. hospitals. Such facility, proportionate to cited percentages, shall be in separate building/wing, or if not possible, on separate floor.

- (c) The Director of Health Services, GoM shall be the competent authority for observance of (a) & (b) above, including determination of penalties for breach of conditions.
- (d) The Medical Institution shall maintain records of free/concessional medical treatment furnish such records periodically and make them available to the Director of Health Services on demand.
- (e) The Medical Institution shall file an undertaking to abide by the cited terms and conditions before allowing utilization of 50% of additional permissible FSI beyond Zonal (basic) FSI.

**(B) Terms and Conditions for Educational Institution or Institutional Buildings**

- (a) Additional BUA beyond Zonal (basic) FSI shall be utilized for bonafide educational purpose only.
- (b) Such Institutions shall make available some rooms to Govt as and when required.
- (c) 10% of the total seat capacity shall be reserved for Govt nominees on recommendation by the Department of Education/Higher and Technical Education, GoM.
- (d) The Directors of School Education/Higher and Technical Education, GoM shall be the competent authority for observance of (a),(b) & (c) above, including determination of penalties for breach of conditions.
- (e) The Educational Institution shall maintain records of free/concessional education furnish such records periodically and make them available to the Directors of School Education/Higher & Technical Education, GoM on demand.
- (f) The Educational Institution shall file an undertaking to abide by the cited terms and conditions before allowing utilization of 50% of additional permissible FSI beyond Zonal (basic) FSI.

**(C) Terms and Conditions for Buildings of Private Medical & Educational Institutions**

- (a) Such additional FSI (except the TDR component) will be permissible subject to the payment of premium as decided by Govt. from time to time, to be shared equally between GoM and MCGM.
- (b) Conditions stipulated in (A) & (B) above shall be adhered to.

1) The Municipal commissioner shall intimate the concerned appropriate implementing authority regarding grant of building permission / occupation certificate to enable such authority to comply with the aforesaid conditions mentioned in (A),(B) & (C).

(2) If the additional FSI as per the above provisions has availed and subsequently it is found that the built-up space is being used for non medical/ educational /institutional commercial activities / any other activity, not permitted as per these regulations, a penal action as below will be taken, the payment shall be shared between the MCGM and the Government in the ratio of 3:1.

- a) The misuse shall be ascertained by physical site verification by a team of officers from the MCGM, which has approved the building plans.
- b) A per day penalty equal to 0.3% of the prevailing ready reckoner value of the built-up area that has been found to be used for non medical/ educational/institutional activities, shall be imposed.
- c) The penalty will be recovered from the date of commencement of unauthorized use till the day non medical/ educational /institutional activities.

After payment of the penalty to the MCGM, which has sanctioned the building plans of the concerned medical/ educational/institutional, the said medical/ educational /institution will restore the use of premises to the original purpose for which LOI/ Registration was granted. If the

said medical/ educational/institutional fails to pay penalty and / or restore the use to its original intended use, the MCGM will take suitable action under the Maharashtra Regional and Town Planning Act 1966, against the concern.

These provisions will be over and above the penal provisions of the MRTP Act, 1966.

**33(3) Buildings of Government/MCGM/Statutory Bodies, Semi-Government and PSU Offices:**

The Commissioner, by special permission, may permit FSI up to 5 including Zonal (basic) FSI specified in Table No 12 for office use & other allied purposes except residential use considering the specific requirement of Govt./MCGM and their Statutory Bodies, Semi Govt. and PSUs as detailed below:

Sr No	Minimum Road Width	Maximum Permissible FSI
1	12m	Up to 3
2	18m	Up to 4
3	27m	Up to 5

Provided further that in case of Public Sector Undertaking the premium for FSI beyond Zonal (basic) FSI shall be payable as decided by Govt. from time to time.

Premium shall be applicable for BUA in lieu of additional FSI at the rate of 50% of ASR of developed land (for FSI 1) or as decided by the Government from time to time, except for the development by State Government & MCGM.

**33(3) (A) Development/Redevelopment for construction of staff quarters of Govt. or its statutory bodies (including CISF) or MCGM or its statutory bodies, on lands belonging to such Public Authorities:**

1. The Commissioner may permit FSI up to 4 including Zonal (basic) FSI specified in Table No 12 on the gross plot area, abutting a road having minimum width of 12 m, solely for the project of construction of staff quarters (hereinafter referred to as "staff quarters project") for the employees of the Govt./MCGM, or their statutory bodies (hereinafter collectively referred to as "User Authority") on land belonging to such User Authority, by the Public Works Department of the GoM or MHADA or Maharashtra Police Housing Corporation or MCGM or its statutory bodies or any other Agency nominated by the Govt. for this purpose which would also include any Special Purpose Vehicle, wherein the Govt. or a fully owned Company of the Govt. holds at least 51% equity share (hereinafter collectively referred to as "Implementing Public Authority").

Premium shall be applicable for BUA in lieu of additional FSI at the rate of 50% of ASR of developed land (for FSI 1) or as decided by the Government from time to time, except for the development by State Government & MCGM

2. The total permissible FSI under this Regulation shall be utilized for construction of staff quarters for the User Authority subject to the following:

- (i) The area of staff quarters/free sale component for various categories of employees shall be as per the norms prescribed by the concerned User Authority.
- (ii)(a) Commissioner may also permit up to 1/3rd of the total permissible FSI under this Regulation for construction of free sale area (hereinafter referred to as "free sale component") to be disposed of by the Implementing Public Authority to recover the cost of project implementation as provided herein.

The free sale component shall preferably be constructed in a separate block. Sub-division of plots shall be permissible on the basis of equitable distribution of FSI, in case construction of free sale component is permitted by Commissioner.

(b) If the User Authority requires construction of staff quarters to the extent of full permissible FSI of 4.0, then the User Authority shall pay full cost of construction to the Implementing Public Authority, in lieu of the free sale component.

(c) The flats constructed under the free sale component shall be first offered to the Central Govt., its statutory bodies, Central/ State PSUs for purchase as staff quarters and if the Central Govt. or its statutory Bodies or Central/ State PSUs do not indicate willingness to purchase the same within the prescribed time limit, then such flats shall be sold in open market.

3. Development cess at 7% of the Land Rate as per ASR (for FSI 1) of the year of approval for the BUA beyond Zonal (basic) FSI (excluding fungible compensatory area) shall be paid to MCGM. The Development cess shall be in addition to development charges levied as per section 124 of MR&TP Act 1966

4.(i) No premium shall be charged for fungible compensatory area admissible as per DCR 31(3) for construction of staff quarters of MCGM & State Government.

(ii) No premium shall be payable for stair case, lift and lift lobby for the construction of staff quarters of MCGM & State Government.

(iii) Open space deficiency shall be charged at the rate of 2.5% of the land rate of ASR (for FSI 1).

(iv) Provisions of IH shall not be applicable for development under this Regulation.

5. For any staff quarters project under this Regulation, a Development Agreement shall be executed between the User Authority and Implementing Public Authority authorizing the Implementing Authority to dispose of the flats constructed under the free sale component of the project wherever applicable.

**33(3)(B) Development/Redevelopment for construction of staff quarters of Govt. or its statutory bodies (including CISF) or Municipal Corporation of Greater Mumbai or its statutory bodies on private lands.**

1. The Commissioner may permit construction of staff quarters for the employees of Govt. /MCGM/their statutory bodies (hereinafter referred to as "User Authority") on private plots of lands, having minimum area of 2000sq.m and abutting a road having minimum width of 12 m and grant incentive FSI, as provided herein below, in lieu of BUA of staff quarters created and handed over free of cost to the User Authority, subject to payment of premium at the rate of 50% of ASR of developed land (for FSI 1) or as decided by the Government from time to time except for the buildings of State Government & MCGM and the following provisions:

(i) The area of staff quarters for various categories of employees shall be as per the norms prescribed by the concerned User Authority and in no case, shall the area of Staff Quarters exceed the maximum limit of carpet area as prescribed therein.

(ii) Incentive FSI shall be admissible against the FSI required for construction of Staff Quarters as per following table: -

Table A

Location of project	Incentive (As% of required BUA of staff Quarters)
Island city	40%
Suburbs & Extended Suburbs	80%

- (iii) FSI including Zonal (basic)/permissible FSI shall be used on the same plot and as stated in the Table below.

Plot Area	Minimum Road Width	Maximum permissible FSI
2000 sq. m or more but less than 4000 sq. m	12m	3.00
4000 sq. m or more	18m	4.00

(iv)(a) No premium shall be charged for features permitted as per DCR 31 (1) and 31(3), for the construction of staff quarters to be handed over to MCGM/Appropriate Authority.

(b) Open space deficiency shall be charged at 2.5% of the land rate of ASR (for FSI 1).

(c) The provision of IH shall not be applicable for development under this Regulation.

- i. Development cess at 7% of the Land Rate as per ASR (for FSI 1) of the year of approval for the BUA beyond Zonal (basic) FSI (excluding fungible compensatory area) shall be paid to MCGM. Development cess shall be in addition to development charges levied as per section 124 of MR&TP Act 1966.
- ii. Development/redevelopment of a vacant plot belonging to a private landholder for constructing staff quarters for a user Authority shall be permitted by the Municipal Commissioner with prior approval of the location and requirement of such Staff Quarters by the Committee formed for this purpose by GoM.
- iii. In case of flats proposed for conservancy staff quarters under this Regulation, a percentage of flats as decided by GoM shall be available on ownership basis under Shram Saphalya scheme.

#### **33(4) Building of Residential Hotels on independent plot:**

Subject to payment of premium for BUA at the rate of 30% of the land rates as per ASR (for FSI 1) or as decided by Govt. from time to time equally to be shared between Govt. & MCGM, and subject to other terms and conditions, the maximum permissible FSI [including Zonal (basic) FSI] shall be as below for all residential hotels on independent plots and satisfies other related provisions of these Regulations and under one establishment.

Sr No	Minimum Road Width	Maximum Permissible FSI
1	12m	Up to 3
2	18m	Up to 4
3	27m	Up to 5

On the plot area excluding area to be handed over to MCGM/Appropriate Authority in lieu of Reservation/ Existing amenity in the DP/ proposed DP roads/prescribed RL under MMC Act.

Conditions:

- (1) 5% of total rooms shall be reserved for total 30 days in a year for Govt. /MCGM free of cost (only room charges) & it may be monitored by the MTDC and Protocol Department. The Municipal Commissioner shall intimate MTDC and Protocol Department regarding grant of building permission / occupation certificate to enable MTDC and Protocol Department to comply with these conditions.
- (2) Development cess at 7% of the Land Rate as per ASR (for FSI 1) of the year of approval for the BUA beyond Zonal (basic) FSI (excluding fungible compensatory area) shall be paid to MCGM. Development cess shall be in addition to development charges levied as per section 124 of MR&TP Act 1966.
- (3) Commercial uses up to 20% of Zonal (basic) FSI, in addition to uses permissible in hotel i.e. banquet hall, conference hall and meeting room etc. shall be permissible.
- (4) In respect of star category Hotel, projects classified as Mega/Ultra Mega Project as per Maharashtra Tourism Policy-2016, up to 20% of additional FSI available by charging premium can be used for Tourism support activities on payment premium at the rate decided by Government from time to time for the uses as proposed by Tourism Department from time to time.
- (5) All concessions available to star category Hotel are also applicable to Tourism Units classified under Mega Projects, Ultra mega Projects and Large tourism units.
- (6) No condonation in parking and other requirements as in these Regulations shall be allowed except in the side and rear Marginal open spaces condonation up to 25% may be granted with the special permission of the Commissioner.

Note (I) Out of the additional FSI beyond Zonal (basic) FSI, 50% may be availed by utilizing TDR (without payment of premium), provided that the utilization of such TDR will be allowed only after availing of the remaining additional FSI.

(II) If mixed user other than 3 above along with star category hotel is proposed subject to fulfillment of road width for such mix use, then no additional FSI will be available at concessional rate. Separate entrances, Parking arrangements, lifts/ Lobbies shall be provided to segregate such mix uses.

**33(5) Development/Redevelopment of Housing Schemes of Maharashtra Housing & Area Development Authority (MHADA)**

1) The FSI for a new scheme of Housing, implemented by MHADA on MHADA lands for Economically Weaker Sections (EWS), Low Income Group (LIG) and Middle Income Group (MIG) categories shall be 3.0 on the gross plot area (exclusive of the Fungible Compensatory Area) and at least 60% BUA in such scheme shall be in the form of tenements under the EWS, LIG and MIG categories, as defined by the Government in Housing Department from time to time.

Provided that the Floor Space Indices above may be permitted to be exceeded up to 4.00 FSI in case of plots, having area of 4000 sq. m or above which front on roads having width of 18.00 m or more with prior approval of Govt.

2) For redevelopment of existing housing schemes of MHADA, containing (i)EWS/LIG and/or(ii)MIG and/or (iii) HIG houses with carpet area less than the maximum carpet area prescribed for MIG, the total permissible FSI shall be 3.0 on the gross plot area (exclusive of the Fungible Compensatory Area).

Provided that the Floor Space Indices above may be permitted to be exceeded up to 4.00 FSI in

case of plots, having area of 4000 sq. m or above which front on roads having width of 18.00 m or more.

2.1 Where redevelopment of buildings in existing housing schemes of MHADA is undertaken by the housing co-operative societies or the occupiers of such buildings or by the lessees of MHADA, the Rehabilitation Area Entitlement, Incentive FSI and sharing of balance FSI shall be as follows:-

A) Rehabilitation Area Entitlement:

i) Under redevelopment of buildings in existing Housing Schemes of MHADA, the entitlement of rehabilitation area for an existing residential tenement shall be equal to sum total of

(a) a basic entitlement equivalent to the carpet area of the existing tenement plus 35% thereof, subject to a minimum carpet area of 35 sq. m, and

(b) an additional entitlement, governed by the size of the plot under redevelopment, in accordance with the Table-A below: -

**Table-A**

Area of the Plot under Redevelopment	Additional Carpet Area on the Existing Carpet Area of Tenement
Above 4000 sq. m to 2 ha	15%
Above 2 ha to 5 ha	25%
Above 5 ha to 10 ha	35%
Above 10 ha	45%

Explanation: (a) The plot under redevelopment means land demarcated by MHADA for redevelopment.

(b) For the purpose, "existing Carpet area/carpet area" means the net usable floor area within a tenement excluding that covered by the walls or any other areas specifically exempted from floor space index computation as per then/ prevailing Regulation but including the areas of balcony, if allowed free of FSI as per then Regulation.

B) Incentive FSI: Incentive FSI admissible against the FSI required for rehabilitation, as calculated in (A) above, shall be based on the ratio (hereinafter referred to as Basic Ratio) of Land Rate (LR) in Rs/sq. m. of the plot under redevelopment as per the Annual Schedule of Rates (ASR) and Rate of Construction (RC)\* in Rs/sq. m applicable to the area as per the ASR of the date of approval of plan and shall be as given in the Table B below:-

**Table B**

Basic Ratio (LR/RC)	Incentive (As % of Admissible Rehabilitation Area)
Above 6.00	40%
Above 4.00 and up to 6.00	50%
Above 2.00 and up to 4.00	60%
Up to 2.00	70%

Provided that the above incentive will be subject to the availability of the FSI on the Plot under redevelopment and its distribution by MHADA.

Provided further that in case there are more than one land rate applicable to different parts of the plot under redevelopment, a weighted average of all the applicable rates shall be taken for

calculating the Average Land Rate and the Basic Ratio. Provided further that the Land Rate (LR) and the Rate of Construction (RC) for calculation of the Basic Ratio shall be taken for the year in which the redevelopment project is approved by the Competent Authority.

C) Sharing of the Balance FSI:

The FSI remaining in balance after providing for the rehabilitation and the incentive components, calculated as per (A) and (B) above respectively, shall be shared between the Cooperative Housing Society and MHADA in the form of BUA, as given in Table C below and the share of MHADA shall be handed over to MHADA free of cost.

**Table C**

Basic Ratio (LR/RC)	Sharing of Balance FSI	
	Cooperative Society Share	MHADA Share
Above 6.00	30%	70%
Above 4.00 and up to 6.00	35%	65%
Above 2.00 and up to 4.00	40%	60%
Up to 2.00	45%	55%

Explanation

\* RC is the rate of construction in respect of R.C.C. Construction, as published by the Chief Controlling Revenue Authority & Inspector General of Registration, Maharashtra State in the Annual Schedule of Rates.

Provided that in case of plots up to 4000 sq. m, MHADA without insisting MHADA's Share in the form of BUA, may allow additional BUA over and above existing BUA up to 3.00 FSI by charging premium at the percentage rate of ASR defined in table C1 below:-

**Table C1**

LR/RC Ratio	EWS/LIG	MIG	HIG
0 to 2	40%	60%	80%
2 to 4	45%	65%	85%
4 to 6	50%	70%	90%
above 6	55%	75%	95%

Provided further that in case of plots having area of 4000 sq. m or above which front on roads having width of 18.00 m or more, the FSI 1.00 over and above 3.00 shall be permissible in the form of Social Housing stock in the ratio of 1 MHADA: 0.5 Cooperative Society and it shall be handed over to MHADA free of cost & without any compensation.

Provided that at the option of or with the approval of MHADA, the tenements coming to the share of MHADA can also be provided by the Promoter/Developer elsewhere within the same or adjoining Municipal Ward. Provided that the BUA area to be handed over to MHADA shall be as per equivalent value of BUA as per the market value (as per ASR of that year)

2.2 Where redevelopment of buildings in the existing Housing Schemes of MHADA is undertaken by MHADA or jointly by MHADA along with the housing societies or along with the occupiers of



such building or along with the lessees of MHADA, the Rehabilitation Area Entitlement, shall be as follows:

Rehabilitation Area Entitlement:

The Rehabilitation Area Entitlement shall be increased by 15% of the existing carpet area, over and above the Rehabilitation Area Entitlement calculated in (A) of 2.1 above.

Note: Fungible compensatory area as applicable on the surplus area to be handed over to MHADA shall not be allowed to be utilized on sale component. No premium shall be charged on the fungible compensatory area, in respect of area to be handed over to MHADA and surplus area to be handed over to MHADA shall be exclusive of the Fungible compensatory BUA if availed

3) For the purpose of calculating the FSI, the entire area of the layout including Development Plan roads and internal roads but excluding the land under the reservation of public amenities shall be considered. Sub-division of plots shall be permissible on the basis of the compulsory open spaces as in these Regulations.

The reservations in the MHADA layout may be developed as per the provisions of Regulation No. 17(3).

Provided that there shall be no restriction on the utilization of the FSI permissible under this Regulation except for the restrictions under any law, rule or regulation.

4) For the purpose of this Regulation, the carpet areas for EWS, LIG or MIG tenements shall be as determined by the Government from time to time.

5) a) For providing the requisite infrastructure for the increased population, Development Cess at the rate of 7% of the Land Rate as per the ASR of the year of approval of the redevelopment project shall be chargeable for the extra FSI (excluding the fungible compensatory area) granted over and above the normal FSI for the redevelopment schemes. 5/7th part of the Development Cess levied and collected by MHADA shall be transferred to the Municipal Corporation of Greater Mumbai for developing necessary offsite infrastructure. Development cess shall be in addition to development charges levied as per section 124 of MR&TP Act 1966.

b) No premium shall be charged under Regulation No 31(1) and 31(3) (for the fungible compensatory area) for

(i) Construction of EWS/LIG and MIG tenements by MHADA on a MHADA plot or

(ii) in a redevelopment project for the construction of EWS/LIG and MIG tenements towards the share of MHADA, or

6) Notwithstanding anything contained in these Regulations, the other relaxation incorporated in Regulation No. 33(10) of these Regulations except clause 6.11, 6.15, 6.16 & 6.18 shall apply. The payment of premium at the rate of 25% of normal premium or at the rate of 6.25% of the land rates as per ASR (for FSI 1), whichever is more shall apply to the Housing Schemes under this Regulation for construction of tenements under EWS/LIG/MIG categories. However, the front open space shall not be less than 3.0 m.

7) a) In any Redevelopment Scheme where the Registered Co-operative Housing Society/Developer appointed by the Registered Co-operative Housing Society/ Federation/ Association/ Union has obtained NOC from the MHADA/Mumbai Board, thereby sanctioning additional balance FSI with the consent of 51% of its members and where such NOC holder has made provision for alternative permanent accommodation in the proposed building (including transit accommodation/Rent Compensation), then it shall be obligatory for all the

occupiers/members to participate in the Redevelopment Scheme and vacate the existing tenements for the purpose of redevelopment. In case of failure to vacate the existing tenements, the provisions of section 95 A of the MHAD Act. Mutatis mutandis shall apply for the purpose of getting the tenements vacated from the non-co-operative members.

b) For redevelopment of buildings in any existing Housing Scheme of MHADA under clause 2.2 hereinabove, by MHADA, the consent of the Cooperative Housing Society in the form of a valid Resolution as per the Co-operative Societies Act, 1960 will be sufficient. In respect of members not co-operating as per approval of the redevelopment project, action under section 95(A) of the Maharashtra Housing and Area Development Act, 1976 may be taken by MHADA.

8) A corpus fund, as may be decided by MHADA, shall be created by the Developer which shall remain with the Co-operative Housing Societies for the maintenance of the new buildings under the Rehabilitation Component.

9) Convenience Shopping shall be permitted along layout roads with 9m to 18m width.

10(a) In case of layout of MHADA where development is proposed under this Regulation and where such land is observed to be partially occupied by slum, under section 4 of Slum Act existing prior to 1.1.2000 or such other reference date notified by the Govt., then for integrated development of the entire layout area and in order to promote flexibility, MHADA may propose development, including area occupied by the slum, under this regulation.

(b) (i) Each eligible residential or residential cum commercial slum dweller shall be entitled to a tenement of carpet area of 27.88 sq. m (300 sq. ft.) and

(ii) Existing or 20.90 sq. m whichever is less in case of non-residential

(c) If such land occupied by slum is observed to be affected by reservation then the development of reservation on land occupied by slum shall be regulated by the Regulation No 17(3)(C)

(d) Corpus fund: An amount of Rs.40000 or as may be decided by SRA as per Regulation No 33(10) shall be deposited with MHADA Authority for each eligible slum dwellers.

**33(6) Reconstruction of buildings destroyed by fire or which have collapsed or which have been demolished under lawful order**

Reconstruction of buildings that existed on or after 10th June 1977 and have ceased to exist for reasons cited above, shall be allowed to be reconstructed with FSI as per the Regulation No 30(C).

Provided that if the area covered under staircase/lift has not been claimed free of FSI as per then prevailing Regulation as per the occupation plan, the area covered under staircases/ lifts shall be considered while arriving protected BUA in such cases the premium for entire staircase lift area in the proposed building as per these Regulations shall be recovered.

This FSI will be subject to the following conditions: -

1. Reconstruction of the new building on the plot should conform to provisions of DP and these Regulations.
2. Reconstruction will be subject to an agreement executed by at least 70 per cent of the landlord and occupants each in the original building, within the meaning of the Mumbai Rents, Hotel and Lodging House Rates Control Act, 1947, and such agreement shall make a provision for accommodation and re-accommodate the said landlord/all occupants in the new building on agreed terms and a certificate from a practicing advocate having minimum of 10 years' experience, is submitted confirming that on the date of application, reconstruction, agreements are executed by at least 70% of the landlords and occupants each in the original building with

the developer/owner. The Advocate shall also certify that the agreements with occupants are valid and subsisting on the date of application.

3. The Carpet area of residential/non-residential premises may be altered with the consent of occupants.
4. Reconstruction shall be disallowed on set-back areas or areas required for road-widening and such areas shall be handed over to the Corporation.
5. These provisions shall not apply to buildings wholly occupied by warehouses and godowns.
6. If the building is reconstructed with existing FSI/BUA prior to its collapse/demolition, then the requirements of front & marginal open spaces shall be as per the Regulation No.41(5) of these Regulations.
7. Notwithstanding anything contained in these Regulations, the other relaxation incorporated in Regulation No. 33(10) of these Regulations except clause 6.11, 6.15, 6.16 & 6.18 shall apply. The payment of premium at the rate of 25% of normal premium or at the rate of 6.25% of the land rates as per ASR (for FSI 1), whichever is more shall apply.
8. If the existing FSI is less than the permissible FSI then the owner may opt for development upto permissible FSI by availing TDR/Additional FSI on payment of premium as per Regulation 30.
9. If the building is reconstructed by using Zonal (basic) FSI/permissible FSI, the following shall apply:
  - a) Requirements of open spaces shall be as per Regulation nos. 41(1) and 41(2) & 43
  - b) Premium as applicable for area covered under Regulation No. 31(1) & 31(3) beyond the existing FSI/BUA shall be paid.
10. Provision of Inclusive Housing as per Regulation No.15 shall have to be made in case of 9 above, if applicable.

**33(7) Reconstruction or redevelopment of cessed buildings in the Island City by Co-operative Housing Societies or of old buildings belonging to the Corporation:**

- (1) For reconstruction/redevelopment to be undertaken by same or different landlords or Co-operative societies of landlords and Cooperative Housing Societies (existing or proposed) of existing tenants or by Co-op. Housing Societies of landlords and/or occupiers of a cessed building existing prior to 30/9/1969 in Island City, which attracts the provisions of MHAD Act, 1976 and for reconstruction/redevelopment of the buildings of Corporation existing prior to 30.09.1969, FSI shall be 3.00 on the gross plot area or FSI required for rehabilitation of existing tenants plus incentive FSI as specified in sr. no 5(a) below whichever is more.

Provided further that reconstruction/redevelopment undertaken by proposed Co-operative Housing Society of occupiers of buildings existing prior to 30.09.1969, which were earlier cessed buildings and were attracting the provisions of MHAD Act, 1976 but thereafter due to purchase/acquisition of the same by Co-operative Housing Society of Occupiers, such buildings are exempted from payment of cess, the FSI required for rehabilitation of existing occupier plus incentive FSI as specified in Sr. no 5(c) below will be available.

- (a) The new building may be permitted to be constructed in pursuance of an irrevocable written consent by not less than 51% of the occupiers of the old building.

(b) All the eligible occupants of cessed and non-cessed building/structures (existing prior to 30.09.1969) certified by MBRRB, existing on the plot having cessed building only, shall be re-accommodated in the redeveloped building.

2. Each occupant shall be rehabilitated and given the carpet area occupied by him for residential purpose in the old building subject to the minimum fixed carpet area of 27.88 sq. m (300 sq. ft.) and/or maximum carpet area up to 120 sq. m (1292sq. ft.) as provided in the MHAD Act, 1976. In case of non-residential occupier, the area to be given in the reconstructed building will be equivalent to the area occupied in the old building. Provided that if carpet area for residential purpose exceeds 120 sq. m (1292sq. ft.) the cost of construction for the area over and above 120sq. m shall be paid by tenant /occupant to the developer. The cost of construction shall be as per ASR of that year. However, the carpet area exceeding 120sq. m (1292sq. ft.) shall be considered for rehab FSI but shall not be considered for incentive FSI. Provided further that each eligible residential cum commercial occupant shall be entitled to a tenement of minimum carpet area of 27.88 sq. m (300 sq. ft.).

For purpose of rehabilitation existing "Carpet area"/rehabilitation "carpet area" means the net usable floor area within a tenement excluding that covered by the walls or any other areas specifically exempted from floor space index computation as per then prevailing Regulation but including the areas of balcony if allowed free of FSI as per then Regulation.

3 . The list of eligible occupants and area occupied by each of them of cessed and non-cessed building/structures (existing prior to 30.09.1969) shall be certified by the Mumbai Repairs and Reconstruction Board and the irrevocable written consent as specified in 1 (a) above shall be verified by the Board.

4. Tenements in the reconstructed building shall be allotted by the landlord/occupants' co-operative housing society to the occupiers as per the list certified by the Mumbai Repairs and Reconstruction Board. The prescribed percentage of the surplus BUA as provided in the Table in the Third Schedule of the MHAD Act, 1976, shall be made available to the Mumbai Repairs and Reconstruction Board for accommodating the occupants in transit camps or cessed buildings which cannot be reconstructed, on payment of an amount as may be prescribed under MHAD Act, 1976.

Further in case of reconstruction/redevelopment of the buildings of Corporation existing prior to 30.09.1969 as per this Regulation, the BUA beyond area required for re-accommodation of existing occupants and incentive thereon of such rehab area if any shall have to be shared between MCGM and Society of occupants in the ratio of 1(MCGM): 0.5(Society of occupants) or compensation for MCGM share shall be paid to MCGM, as per policy of Municipal corporation.

Fungible Compensatory Area as applicable on the surplus area to be handed over to MHADA/MCGM shall not be allowed to be utilized on sale component. No premium shall be charged on the fungible compensatory area in respect of area to be handed over to MHADA/MCGM and surplus area to be handed over to MHADA/MCGM shall be exclusive of the Fungible compensatory BUA if availed.

Provided that the area equivalent to the market value (as per ASR of that year) of area admissible as per the prescribed percentage of BUA to MHADA can be made available within the same or adjoining municipal ward of MCGM.

5. The FSI for rehabilitation of existing tenants/occupiers in a reconstructed building and incentive FSI that will be available shall be as under:

(a) In the case of redevelopment of cessed building existing prior to 30/9/1969 undertaken by landlord or Co-operative societies of landlord and Co-operative Housing Societies of landlord/occupiers, the total FSI shall be 3.00 of the gross plot area or the FSI required for

rehabilitation of existing occupiers plus 50% incentive FSI whichever is more and the occupier shall be eligible for 5% additional rehab Carpet Area as per serial no 2 subject to maximum limit.

- (b) In case of composite redevelopment undertaken by landlord or Co-operative societies of landlords and Co-operative Housing Societies of landlord/occupiers jointly of 2 or more plots but not more than 5 plots with cessed buildings existing prior to 30/9/1969, the FSI permissible will be 3.00 or FSI required for rehabilitation to exiting occupiers plus 60% incentive FSI, whichever is more and the occupier shall be eligible for 8% additional rehab Carpet Area as per serial no 2 above subject to maximum limit.

Provided further, that if the number of plots jointly undertaken for redevelopment of six or more with cessed buildings existing prior to 30/9/1969 or in case of redevelopment of municipal properties under this regulation having eligible tenements density more than 650/ ha, FSI available will be 3.00 or FSI required of rehabilitation for occupiers plus 70% incentive FSI whichever is more and the occupier shall be eligible for 15% additional rehab Carpet Area as per serial no 2 above subject to maximum limit.

Provided further that, the above provision 5(b) shall also be applicable to municipal plots under redevelopment under this Regulation having different residential societies on different plots.

Note- Notwithstanding anything contained in this regulation, in case of redevelopment scheme where permissible FSI is 3.0, then the permissible FSI shall be allowed to be exceeded by BUA required for 5%, 8%, 15% additional rehab carpet area provided as per clause a) & b) above, as the case may be.

- (c) Provided further that reconstruction/redevelopment undertaken by proposed Cooperative Housing Society of occupiers of buildings existing prior to 30/9/1969 in Island City, which were earlier cessed building and were attracting the provisions of MHAD Act, 1976 but thereafter due to purchase/acquisition of the same by Cooperative Housing Society of Occupiers, such buildings are exempted from payment of cess, the total FSI shall be 2.5 of the gross plot area or the FSI required for rehabilitation of existing occupiers plus 50% incentive FSI whichever is more.
6. The entire FSI available under clause 5 shall be allowed to be utilised on plot/plots under redevelopment scheme. However, if the owner/society so desire, they can avail the incentive FSI on the same plot or can avail the benefit of TDRs to be used in accordance with the Regulations no. 32.
7. Construction or reconstruction of old cessed building falling under reservation/zones contemplated in the DP shall be permitted as specified in Regulation No.17(3)(B).

Contravening structures in TP Scheme and structures on the road shall also be included in the redevelopment scheme. FSI for the same will be as under DCR 33(12) or as provided in these Regulations whichever is more.

8. Relaxation in building and other requirements for rehabilitation: Notwithstanding anything contained in these Regulations, the relaxations incorporated in sub Regulation No.6 of Regulation No. 33 (10) of these Regulations except clause 6.11, 6.16 & 6.18 shall apply. The payment of premium at the rate of 10% of normal premium or at the rate of 2.5% of the land rates as per ASR (for FSI 1), whichever is more shall apply.

Even if the amenity open space (LOS) is reduced to make the project viable a minimum of at least 10% of open space shall be maintained.

9. 20% of the incentive FSI can be used for non-residential purposes otherwise permissible in the DCPR.

10. Deleted

11. FSI under these Regulations should be allowed by the Commissioner only after Mumbai Repairs and Reconstruction Board is satisfied that the said redevelopment proposal fulfills all conditions to be eligible for the benefits under these regulations.

12. In case of the redevelopment of cessed buildings, the concessions regarding exclusion of areas from computation of FSI for general buildings stipulated in Regulation No. 31(1) shall apply.

13. Since the permissible FSI in clause 5 above is dependent upon the number of occupiers and the actual area occupied by them, no new tenancy created after 13.6.1996 shall be considered. Further unauthorized constructions made in the cessed buildings shall not be considered while computation of existing FSI.

14. For smooth implementation of the redevelopment scheme undertaken by owners and/or Co-operative Housing Society of the occupiers, temporary transit camps may be permitted on the same land or land situated elsewhere belonging to the same owner/developer with the concessions permissible under SRS project under Regulations 33(10) of these Regulations. Such transit camps should be demolished within one month from the date of occupation certificate granted by the Corporation for the reconstructed buildings for the existing tenants/occupants.

15. Additional development cess equivalent to 100% of Development charges on BUA (excluding the fungible compensatory area/BUA), or Rs5,000 per sq. m whichever is more for BUA over and above the existing BUA shall be paid by the owner/developer/society, for the rehabilitation and free sale components. This amount shall be paid to the Corporation in accordance with the time schedule for such payment as may be laid down by the Commissioner, MCGM provided the payment of installments shall not go beyond the completion of construction. This amount shall be used for Scheme to be prepared for the improvement of off-site infrastructure in the area around the development. Development cess shall be in addition to development charges levied as per section 124 of MR&TP Act 1966.

16. As per the provision of clause 2 above, each residential/non-residential occupant shall be rehabilitated only for carpet area mentioned in the said clause No.2 above and such areas shall be clearly shown on the building plan submitted to the Corporation/MHADA.

17. A corpus fund shall be created as prescribed by MHADA.

18. Restriction on transfer of tenements shall be governed by provision of Rent Control Act till Co.Op. Society is formed and after that the same shall be governed by the provision of Maharashtra Co-op. Society's Act.

19. Non-Deduction of non-cessed Structure area in the scheme of 33(7) for FSI purpose: In case of mix of the structure i.e. cessed & non cessed structure and if the area of non cessed structure existing prior to 30/9/69, area of land component under non-cessed structure works out up to a limit of 25% of plot area, then FSI shall be considered on total plot area. If this area exceeds 25% of the total area, then area above 25% shall be deducted from plot area. FSI for deducted area shall be as per Regulation No 30 and the FSI for the remaining plot area shall be as per 33(7). Provision of clause no 2 above shall be made applicable to non-cessed occupier.

Provided that the 25% land component of non-cessed structures will be eligible for FSI as per Regulation 33(7) only.

20. (a) In case of layout of MCGM owned plots/ Municipal plot where development is proposed under this Regulation and where such land is observed to be partially occupied by slum, under section 4 of Slum Act existing prior to 1.1.2000 or such other reference date notified by the Govt., then for

integrated development of the entire layout area and in order to promote flexibility, MCGM may propose development, including area occupied by the slum, under this regulation.

MCGM shall be the Planning Authority for the areas declared as slum under section 4 of Maharashtra Slum Area (Improvement) Act, 1971 on Municipal land existing prior to 01.01.2000 or date as notified by Govt. In case where slum area do not constitute more than 50% of the plot area under redevelopment, in such cases the Planning Authority shall be as decided by Municipal Commissioner.

(b) (i) Each eligible residential or residential cum commercial slum dweller shall be entitled to a tenement of carpet area of 27.88 sq. m ( 300 sq. ft.) and

(ii) Existing or max 20.90 sq. m whichever is less in case of non-residential.

(c) If such land occupied by slum is observed to be affected by reservation then the development of reservation on land occupied by slum shall be regulated by the Regulation No 17(3)(D)

(d) Corpus fund: An amount of Rs.40000 or as may be decided by SRA as per Regulation No 33(10) shall be deposited with MCGM for each eligible slum dwellers

21) Notwithstanding anything contained in these Regulations existing 9m. width of road shall be essential for any height of building above 32 m. height.

**33(7)(A) Reconstruction or redevelopment of dilapidated/unsafe existing authorized tenant occupied building in Suburbs and extended Suburbs and existing authorized non-cessed tenant occupied buildings in Mumbai City.**

For reconstruction/redevelopment of existing authorized tenant-occupied buildings, which have been declared unsafe for human habitation by or are to be demolished for the same reason under a lawful order by the Municipal Corporation of Greater Mumbai and duly certified as such, undertaken by landlord/s or Co-operative Housing Societies of existing tenants, the permissible FSI prescribed under these regulations and Appendix below, shall be admissible as under: -

a) In case of the plot consisting of only tenant occupied building, the F.S.I. shall be equal to F.S.I. required for rehabilitation of existing lawful tenant plus 50% incentive F.S.I. and the occupier shall be eligible for 5% additional rehab carpet area.

b) In case of composite development i.e. the plot consisting of tenant occupied building along with non-tenanted building such as owner occupied building/existing Co-op Housing Society buildings etc., the FSI available shall be equal to FSI required for rehabilitation of existing lawful tenant plus 50% incentive FSI plus FSI that has already authorisedly been utilized/consumed by the non-tenanted buildings/structures.

Provided further that in case of composite redevelopment undertaken as mention in (a) & (b) above for two or more but not more than five plots of tenant occupied buildings the incentive FSI shall be 60% & the occupier shall be eligible for 8% additional rehab carpet area and for plots six or more then incentive shall be 70% and the occupier shall be eligible for 15 % additional rehab carpet area.

**Appendix**

1. The F.S.I. permissible for the new building shall be as given in sub-regulation (7) (A) of Regulation No.33

2. (a) A new building may be permitted to be constructed in pursuance of an irrevocable written consent by not less than 51 per cent of the tenants of the old building.

(b) All the tenants of the old building shall be re-accommodated in the redeveloped building.

3. Each tenant shall be rehabilitated and given the carpet area occupied by him for residential purpose in the old building subject to the minimum fixed carpet area of 27.88 sq. m (300 sq. ft) and/or maximum carpet area up to 120 sq.m. (1292 sq.ft.) free of cost. In case of non-residential occupier the area to be given free of cost in the reconstructed building shall be equivalent to the area occupied in the old building.

Provided that if carpet area for residential purpose exceeds 120 sq.m. (1292 sq.ft.) the cost of construction shall be paid by tenant to the developer. The cost of construction shall be as per ready reckoner rate of that year. However, the carpet area exceeding 120 sq.m. (1292 sq.ft.) shall be considered for rehab FSI but shall not be considered for incentive FSI. Provided further that each eligible residential cum commercial occupant shall be entitled to a tenement of minimum carpet area of 27.88 sq. m (300 sq. ft.).

For purpose of existing "Carpet area"/ rehabilitation "carpet area" means the net usable floor area within a tenement excluding that covered by the walls or any other areas specifically exempted from floor space index computation as per then Regulation but including the areas of balcony if allowed free of FSI as per then Regulation. This shall not be applicable for non-tenanted buildings.

4. No new tenancy created after 13/6/96 shall be considered. Further, unauthorized construction made in buildings for creating new tenancy in the existing tenancies shall not be considered while doing computation of existing FSI. A certified inspection extract of the Municipal Corporation for the year 1995-96 or Court Order proving the existence of tenements prior to 13/6/96 shall be considered adequate evidence to establish the number of tenements.

5. The list of tenants and area occupied by each of them in the old building and the irrevocable written consent as specified in 2 (a) above shall be certified by the Municipal Corporation of Greater Mumbai.

6. The tenements in the reconstructed building shall be allotted by landlord/s or Co-operative Housing Societies of existing tenants to the tenants as per list certified by the Municipal Corporation of Greater Mumbai.

7. The entire FSI available under this regulation shall be allowed to be utilized on plot/plots under redevelopment scheme.

8. Reconstruction of a new building on the plot should strictly conform to the provisions of the development plan and these Regulations.

9. No construction or reconstruction shall be permitted on set-back areas or areas required for road-widening and such areas shall be handed over to the Municipal Corporation

10. For the purpose of calculating the FSI for tenanted building, the entire area of the plot/layout including Development Plan roads and internal roads but excluding the land under the reservation of public amenities shall be considered.

11. New building shall be reconstructed in accordance with these Regulations and all other Regulations and orders as applicable from time to time. The Municipal Commissioner may exercise his powers under Regulation No 6 for condonation of minor variations in respect of such reconstruction.

12. 20% of the incentive FSI can be used for non-residential purposes otherwise permissible as per the DCPR.

13. The fungible compensatory area admissible on rehab component shall be granted without charging premium and such fungible compensatory area for rehabilitation component shall not be



used for free sale component and shall be used to give additional area over and above eligible area to the existing tenants .

14. For smooth implementation of the redevelopment scheme undertaken by landlord/s or Co-operative Housing Societies of existing tenants, temporary transit camps may be permitted on the same land or land situated elsewhere belonging to the same landlord/s with the concessions permissible under SRS project under Regulations 33(10) of these Regulations. Such transit camps should be demolished within one month from the date of occupation certificate granted by the Corporation for the reconstructed buildings.

15. An amount of Rs.5000/- per sq. m shall be paid by the landlord/s or Co-operative Housing Societies of existing tenants, as additional development cess for the built-up area over and above the F.S.I. permissible as per table 12 under Regulation 30, for the rehabilitation and free sale components. This amount shall be paid to the Municipal Corporation in accordance with the time schedule for such payment as may be laid down by the Municipal Commissioner, MCGM, provided the payment of instalments shall not go beyond the completion of construction. This amount shall be used for Scheme to be prepared for the improvement of off-site infrastructure in the area around the development. The above development cess shall be enhanced @ 10% every three years.

16. As per the provision of clause 3, each residential/non-residential tenant shall be rehabilitated only for carpet area mentioned in the said clause 3 and such areas shall be clearly shown on the building plan submitted to the Municipal Corporation.

17. The landlord/s or Co-operative Housing Societies of existing tenants shall commence the reconstruction or redevelopment work within the period of one year from the date of demolition of the building and complete it within a period of five years. In the meantime the landlord/s or Co-operative Housing Societies of existing tenants shall make arrangement of alternate accommodation of tenants.

18. A corpus fund is to be created by the landlord/s or Co-operative Housing Societies of existing tenants which will take care of the maintenance of the building for a period of 10 years.

19. Restriction on transfer of tenements shall be governed by provision of Rent Control Act till Co.Op. Society is formed and after that the same shall be governed by the provision of Maharashtra Co-Op. Society's Act.

20. If the rehab plus incentive as per this regulation is less than the permissible FSI as per regulation 30, then the owner may opt for development up to permissible FSI by availing TDR/Additional FSI on payment of premium as per Regulation 30.

**33(7)(B) Additional FSI for Redevelopment of existing residential housing societies excluding buildings covered under regulation 33(7) and 33(7)(A):**

In case of redevelopment of existing residential housing societies excluding buildings covered under regulation 33(7) and 33(7)(A) proposed by Housing societies/landlords or through their proponents where existing members are proposed to be re-accommodated on the same plot, incentive additional BUA to the extent of 15% of existing BUA or 10 sq. m per tenement whichever is more shall be permissible without premium.

Provided further that if the existing authorized BUA and incentive thereon as stated above is less than the permissible FSI as per regulation 30(A)(1), then society may avail 'Additional FSI on payment of premium/TDR' up to limit of permissible FSI

2. If staircase, lift & lift lobby areas are claimed free of FSI by charging premium as per then prevailing Regulation, then such areas to that extent only will be granted free of FSI without charging premium.

If staircase, lift & lift lobby areas are counted in FSI in earlier development, then incentive additional FSI as stated in Sr. No 1 shall also be given on such area & such areas may be availed free of FSI by charging premium as per these Regulations.

3. This Regulation shall be applicable only when existing members of the societies are proposed to be re-accommodated.

4. This regulation will be applicable for redevelopment of existing authorized buildings which are of thirty years of age or more.

5. This regulation shall not be applicable in respect of redevelopment proposal to be/being processed under Regulation No 33(5), 33(7), 33(8), 33(9), 33(9)(A), 33(9)(B), 33(10), 33(10) (A), 33(20) (A), 33(21).

Explanation: -Age of a building shall be as on the 1st of January of the year in which a complete redevelopment proposal is submitted to the Commissioner and shall be calculated from the date of Occupation Certificate or alternately, from the first date of assessment as per the property tax record in respect of such building or building on which balance/admissible FSI has been consumed by way of vertical extension as per then prevailing Regulation, available with the MCGM.

6. This incentive additional BUA shall be independent of additional BUA as permissible under Regulation No 14(A), 15, 16 and 17, if any.

7. Fungible compensatory area admissible under Regulation No. 31(3) on the existing authorised BUA shall be without charging premium and over the incentive additional BUA by charging premium.

8. If tenanted building/s and building/s of co-operative housing society/non-tenanted building/s coexist on the plot under development, then proportionate land component as per the existing authorised BUA of existing tenanted building on the plot shall be developed as per Regulation No 33(7)(A) and remainder notional plot shall be developed as per this Regulation.

### **33(8) Construction of Affordable Housing in Special Development Zone (SDZ)**

#### **(I) Private land in SDZ.**

##### **(A) General**

The provision of this Regulation shall apply to any contiguous, unbroken and uninterrupted piece of land, not less than 2.0ha, and not disqualified from development, on account of other laws or regulations that are binding. Owners of land parcels having plot area lesser than 2ha may come together to create contiguous land parcels of 2.0 ha or more & submit proposal for development under this Regulation along with proper access as per these Regulations. However, the Municipal Commissioner shall sanction the proposal with prior approval of Govt.

##### **(B) Planning Considerations /Submission of Proposal**

The proposal shall be submitted by the Owner, containing the demand assessment for infrastructure such as roads, water supply, sewerage and storm water drains along with clearly earmarking the area for Public Open Spaces (POS), Affordable Housing (AH), Other Amenities (OA), (viz. Education, Health & Social Amenities) and area for other development i.e. owners share of land. If OA/POS/AH to be handed over to MCGM is not abutting the municipal road, the same shall be provided with uninterrupted access as per table no 7 of Regulation No 23(1). The area of the land after deduction of the area covered under road/uninterrupted access proposed as above, shall be apportioned among Owner's Share, AH, POS, and OA as detailed below. These roads/uninterrupted access shall be handed over to MCGM and will be eligible for additional BUA equal to area of land surrendered/transferred over and above FSI as stipulated below in Sr. No. D

Sr. No	Plot Area	Affordable Housing	Public Open Spaces	Other Amenities	Area for Other Development
1	Not less than 2 ha & up to 4 ha	30%	15 %	14%	41%
2	More than 4 ha	30%	15 %	12%	43%

The Owner shall submit his proposal as per above to the Commissioner MCGM. While making such submission, he will take care of the following:

- a) He shall distinctly mark lands for AH, POS, OA and Owner's share in the layout. Further earmarking of lands for other amenities like education, health and social amenities cited above shall be done by the Commissioner taking the amenity standards prescribed as minimum.
- b) Advance possession of all lands other than the Owner's Share as detailed in the table above shall be handed over to MCGM at the time of approval of layout. The ownership shall be transferred in the name of MCGM within one year from the date of advance possession or seeking commencement certificate beyond plinth of the development of Owner's share, whichever is earlier.
- c) The Land Owner shall have the option of developing AH, OA and handing them over to the MCGM. However, area earmarked for POS, AH, OA shall be levelled along with construction of compound wall before handing over to MCGM.
- d) The development of AH & OA shall be as per specifications laid down by the Commissioner, within three years from date of approval to the individual building plans of AH and OA, unless extended by the Commissioner for valid, recorded reasons.
- e) Provision of amenities as per Regulation No. 14(A) and 15 shall not be applicable for development under this Regulation.
- f) The carpet areas of the tenements to be constructed shall be for EWS, LIG and MIG or as decided by Govt. from time to time subject to a minimum 25 sq. m.
- g) Requirement of LOS as per the provisions of Regulation No.27 on AH plot and owner's share of land shall be 15%. Thus overall 25% cumulative LOS of entire holding shall be achieved by considering POS to be handed over to MCGM and owners share of land/AH plot.

### **(C) Infrastructure Development**

The owner shall develop the infrastructure network within the layout (AH, POS & OA) to be handed over to MCGM (road + water supply mains + sewer line + storm water drain + street lights pertaining to that specific scheme) as per the requirements of the concerned departments.

### **(D) Permissible FSI**

- (a) If the Owner opts out of the responsibility of developing AH & OA, he will get FSI 1.0 of the gross plot (AH + POS+OA + area covered under road to be handed over to MCGM + land forming Owner's share of that specific scheme) on the Owner's share of land.
- (b) If the Owner opts to develop the cited AH & OA, the Owner shall be entitled for FSI 1 of the gross plot (AH + POS+ OA + area covered under roads to be handed over to MCGM + land forming Owner's share of that specific scheme) on the Owner's share of land along with cost of construction in the form of BUA as per Clause (E) (a)

(c) The Owner would also be compensated for all infrastructure developed by him that is not attributable to infrastructure pertaining to Owner's share of land and construction of the AH tenements & OA as described below.

(d) The Development of the plot handed over for AH shall be with FSI 2.5 on the plot of the AH area. The Development of the plot handed over for OA shall be with FSI 2 on the plot of OA with the structural provision for vertical extension for consumption of FSI up to 4 on OA plot. AH Tenements & constructed amenities shall have to be handed over to MCGM. The cost of construction of AH tenements & built up amenities shall be paid in the form of BUA.

(e) 'TDR' or 'Additional FSI on payment of premium' as per Regulation No 30 (1) (A) [except Fungible Compensatory area as per Regulation No. 31(3)], shall not be permissible on Owner's share of land.

(f) The land handed over to MCGM for OA as stated above shall not be allowed to be developed under AR as stipulated in Regulation No 17 and shall have to be used entirely for the intended purpose as per these Regulations.

(g) Notwithstanding anything contained in these Regulations, residential/commercial uses otherwise permissible, independent of road width to which it abuts shall be permissible on the Owner's share of land. 15% of admissible FSI on AH plot shall be exclusively used for the purpose of convenient shops

(h) Development charges and premium shall not be recovered for any relaxations in open spaces, exclusion of staircase, lift and lobby areas from FSI computation & for Fungible compensatory area as per Regulation No. 31(3) for BUA to be handed over to MCGM.

(i) Development cess at 7% of the Land Rate (for FSI 1) for the BUA (excluding fungible compensatory area) to be constructed on owner's share of land as per ASR of the year of approval shall be paid to MCGM. The Development cess shall be in addition to development charges levied as per section 124 of MR&TP Act 1966.

**(E) Compensation for development of infrastructure in lands handed over to MCGM and constructed BUA.**

a) The owner shall be entitled for the following:

BUA in lieu of cost of construction of AH/Built up Amenities including entire infrastructure development for MCGM share of Land	=	2.0[Rate of construction per sq. m as per ASR rate/rate of developed land per sq. m as per ASR(for FSI 1)]x BUA of all amenities & all AH
---	---	---

b) The ratio of BUA to carpet area shall be considered as 1.2 for considering the various requirements as per these Regulations.

c) Area covered under staircase/lift/staircase and lift lobby for AH tenements/Amenities shall not be counted in FSI/BUA and shall be without charging premium.

d) Commencement Certificate beyond 75 % of the admissible BUA shall not be issued unless the infrastructure development in the entire layout and construction of AH tenements/Amenities is completed & occupation is granted.

e) The Commencement Certificate beyond 75 % of the admissible BUA may be released once the Occupation Certificate for AH tenements/Amenities is granted.

f) BUA in lieu of development of infrastructure and construction of AH tenements/Amenities, as detailed above may be released in proportion of 0.50 sale (incentive) area: 1 AH/Amenity area and the construction shall progress simultaneously in the said proportion, and 100% of incentive area in

lieu of AH tenements/Amenities& infrastructure development can be released only after handing over of entire AH tenements/Amenities as per (e) above.

g) Consumption of FSI on owner's share of land shall be restricted to 4 only. TDR in lieu of unconsumed incentive BUA, as per provision (a) above in proportion to handing over of such completed AH tenements/Amenities may be allowed at the option of owner/developer. However, 20 % of such admissible TDR for unconsumed BUA shall be released only after handing over the entire area of AH tenements/Amenities to MCGM.

## **(II) Land of Govt. /Semi. Govt. /Appropriate Authority appointed by Govt. falling in SDZ**

### **1. General**

Notwithstanding anything contained in these Regulations for lands of Govt./Semi-Govt./Appropriate Authority falling in SDZ, the provision of this Regulation shall apply to any contiguous, unbroken and uninterrupted piece of land having area not less than 2.0 ha, and not disqualified from development on account of other laws or regulations that are binding. However, the proposals shall be sanctioned with prior approval of Government.

### **2. Planning Considerations /Submission of Proposal**

The proposal shall be submitted containing the demand assessment for infrastructure such as roads, water supply, sewerage and storm water drains along with clearly earmarking the area for Public Open Spaces (POS), Affordable Housing (AH), Other Amenities(OA), (viz. Education, Health & Social Amenities) and area for other development i.e. Govt./Semi-Govt./Appropriate Authority's share of land. If OA/POS to be handed over to MCGM and AH are not abutting the municipal road, the same shall be provided with uninterrupted access as per table no 7 of Regulation No 23(1).The area of the land after deduction of the area covered under road/uninterrupted access proposed as above, shall be apportioned among Govt./Semi-Govt./Appropriate Authority's Share, AH, POS, and OA as detailed below. These roads/uninterrupted access shall be handed over to MCGM and will be eligible for additional BUA equal to area of land as surrendered/transferred over and above FSI as stipulated below in Sr. No. 4

Sr. No	Plot Area	Affordable Housing	Public Open Spaces	Other Amenities	Area for Other Development
1	Not less than 2 ha & up to 4 ha	30%	15 %	14%	41%
2	More than 4 ha	30%	15 %	12%	43%

The Govt./Semi-Govt./Appropriate Authority shall submit their proposal as per above to the Commissioner MCGM. While making such submission, they will take care of the following:

a) Govt./Semi-Govt./Appropriate Authority shall distinctly mark lands for AH, POS, OA and Govt./Semi-Govt./Appropriate Authority's share in the layout. Further earmarking of lands for other amenities like education, health and social amenities cited above shall be done by the Commissioner taking the amenity standards prescribed as minimum.

b) Advance possession of all lands other than the Govt./Semi-Govt./Appropriate Authority's Share as detailed in the table above shall be handed over to MCGM at the time of approval of layout. The ownership shall be transferred in the name of MCGM within one year from the date of advance

possession or seeking commencement certificate beyond plinth of the development of Govt./Semi-Govt./Appropriate Authority's share, whichever is earlier. The Govt./Semi-Govt./Appropriate Authority may opt for development of the AH plot on their own as stated in clause 4(b) below.

c) Govt./Semi-Govt./Appropriate Authority shall hand over area earmarked for POS & OA after levelling of land along with construction of compound wall to MCGM.

d) Provision of amenities as per Regulation No. 14(A) and 15 shall not be applicable for development under this Regulation.

e) The carpet areas of the tenements to be constructed shall be for EWS, LIG and MIG or as decided by Govt. from time to time subject to a minimum 25 sq. m.

f) Requirement of LOS as per the provisions of Regulation No.27 on AH plot and Govt./Semi-Govt./Appropriate Authority's share of land shall be 15%. Thus overall 25% cumulative LOS of entire holding shall be achieved by considering POS to be handed over to MCGM and owners share of land/AH plot.

### 3. Infrastructure Development

Govt./Semi-Govt./Appropriate Authority shall develop the infrastructure network within the layout (AH, POS & OA) to be handed over to MCGM (road + water supply mains + sewer line + storm water drain + street lights pertaining to that specific scheme) as per the requirements of the concerned departments.

### 4. Permissible FSI:

a) Govt./Semi-Govt. /Appropriate Authority appointed by Govt. shall be eligible for FSI 1 of the gross plot (AH + POS+ OA + area covered under roads to be handed over to MCGM) on area of other Development.

b) The plot earmarked for AH may be developed by Government/semi-government/ Appropriate Authority appointed by Govt. with FSI 2.5 on the plot of AH, then the premium for the BUA is payable at 60% of land rate as per ASR (for FSI 1) except if the development undertaken by State Govt. & MCGM itself. These tenements shall be made available for general public for the AH as per policy of Govt.

c) The development of OA as per the requirements of MCGM shall be permissible as per these Regulations. Provided further that Municipal Commissioner's decision regarding development of OA shall be final & binding.

d) 'TDR' or 'Additional FSI on payment of premium' shall not be permissible except fungible compensatory area.

e) The land handed over to MCGM for OA as stated above shall not be allowed to be developed under AR as stipulated in Regulation No 17 and shall have to be used entirely for the intended purpose as per these Regulations.

f) Notwithstanding anything contained in these Regulations, residential/commercial uses otherwise permissible, independent of road width to which it abuts shall be permissible on the Govt./Semi-Govt./Appropriate Authority's share of land. 15% of admissible FSI on AH plot shall be exclusively used for the purpose of convenient shops for use of residential occupants of layout

g) Development cess at 7% of the Land Rate (for FSI 1) for the BUA (excluding fungible compensatory area) to be constructed on Govt./Semi-Govt./Appropriate Authority's share of land as per ASR of the year of approval shall be paid to MCGM.

### **33(9) Reconstruction or redevelopment of Cluster(s) of Buildings under Cluster Development Scheme(s)(CDS):**

For reconstruction or redevelopment of Cluster(s) of buildings under Cluster Development Scheme(s)(CDS) in the Island City of Mumbai undertaken by (a) the MHADA or the MCGM either departmentally or through any suitable agency or (b) MHADA/MCGM, jointly with land owners and/or Co-op. Housing Societies of tenants/occupiers of buildings and/or Co-op. Housing Society of hutment dwellers therein, or (c) land owners and/or Co-op. Housing Society of tenants/occupiers of buildings and/or Co-op Housing Society of hutment dwellers, independently or through a Promoter /Developer, the FSI shall be 4.00 or the FSI required for rehabilitation of existing tenants/occupiers plus incentive FSI whichever is more as per the provisions of this Regulation as follows .

1.1 Cluster Development Scheme(CDS) means any scheme for redevelopment of a cluster of buildings and structures over a minimum area of 4000 sq. m in the Island City of Mumbai and 6000 sq. m in the Mumbai Suburbs & Extended Suburbs, bounded by existing distinguishing physical boundaries such as roads, nallas and railway lines etc. and accessible by an existing or proposed D.P. road which is at least 18m wide whether existing or proposed in the D.P. or URP or a road for which Sanctioned Regular line of street has been prescribed by the MCGM under MMC Act, 1888. Such cluster of buildings (hereinafter referred to as "Cluster Development (CD)") shall be a cluster or a group of clusters identified for urban renewal:

Provided further that HPC may consider after verifying traffic simulation study to allow CDS on a plot having access from existing minimum 12m. wide dead end road originating from 18 m. wide public road.

1) Under the Cluster Development Plan (CDP) for the concerned area, to be prepared by the Commissioner, who may revise the same as and when required; or

Under the Development Plan (DP), where the DP contains such well-defined cluster

2) By the Promoter of the CDS,

Provided that no cluster or clusters shall be identified for redevelopment or implementation of CDS by the Municipal Commissioner without carrying out an Impact Assessment Study regarding the impact on the city and sector level infrastructure and amenities as well as traffic and environment of the implementation of CDS on such cluster or clusters.

#### **Explanation:**

1. The land under CDS, irrespective of the tenure of the plots comprised therein, shall be treated as one plot for the purpose of FSI and computation of marginal distances.

**Amalgamation/ Subdivision of plots:** On approval of CDS, any land proposed / considered under CDS on various C.S. Nos. or CTS Nos. and/or F.P.Nos. shall be treated as natural amalgamation for the purpose of CDS. for which no separate approval for amalgamation of lands would be necessary.

Boundaries and Area of Proposed CDS shall be decided as per the approved layout and be confirmed by City Survey Officer after actual measurement of CDS on site and the same shall be adopted for planning purpose. However wherever necessary, the area may be further subdivided to earmark separate plots/Sectors for the planning purpose, handing over of Reservations, amenities, realigned roads, etc. to MCGM/ Appropriate Authority. The Plot area and the BUA in terms of sq. m of the said subdivided plots/Sectors shall be separately mentioned in the Conveyance Deed or lease deed. In case of land of different tenures, single PRC shall not be insisted. However, necessary entries about CDS shall be made in respective PRC.

In specific cases where CDS is not bounded by roads, nallas and railway lines, the boundary of the Cluster may be decided by the Municipal Commissioner.

1.2 The CD may consist of a mix of structures of different characteristics such as

- (i) Cessed buildings in Island City, which attract the provisions of MHAD Act, 1976.
- (ii) (a) Buildings at least 30 years of age and acquired by MHADA under MHAD Act, 1976.
- (b) Authorized buildings at least 30 years of age

Explanation: Age of a building shall be as on the 1st of January of the year in which redevelopment proposal for CDS is submitted to the Commissioner and shall be calculated from the date of occupation certificate or where such occupation certificate is not available, from the first date of assessment as per the property tax record in respect of such building, available with the Municipal Corporation.

(iii) (a) Buildings belonging to the Central Govt, the State Govt, Semi-Govt Organizations and the MCGM, as well as institutional buildings, office buildings, tenanted municipal buildings and buildings constructed by MHADA, that are at least 30 years of age.

(b) Any land belonging to the State Govt, any semi-Govt Organization, MCGM and MHADA (either vacant or built upon) which falls within the area of the proposed CDS including that which has been given on lease or granted on the tenure of Occupant Class II.

Provided that in case of buildings or lands belonging to the Central Govt, the State Govt, Semi-Govt Organizations, MCGM or MHADA, prior consent of the concerned Department shall be obtained for including such buildings or lands in any proposal of CDS.

(iv) Other buildings which by reasons of dis-repair or because of structural/sanitary defects, are unfit for human habitation or by reasons of their bad configuration or the narrowness of streets are dangerous or injurious to the health or safety of the inhabitants of the area, as certified by the Officer or the Agency designated for this purpose by MHADA/MCGM or Mumbai Repair & Reconstruction Board.

(v) Slum areas declared as slums under section 4 of Slum Act or slums on Public lands existing prior to 1.1.2000 or such other reference date notified by the Govt, provided such slum areas do not constitute more than 50% of the area of CD.

Explanation: If some areas are previously developed/or are in the process of development under different provisions of the DCPR, such areas can be included in the CDS only for planning purposes. However, such areas shall be excluded for calculation of FSI under this Regulation and the admissible FSI shall be calculated as per the relevant provisions of the DCPR under which such areas are developed or are being developed. However, it shall be necessary to obtain consent of owner/owners of such areas for becoming part of the CDS.

## 2. Eligibility of Occupants for Rehabilitation under Cluster Development Scheme (CDS)

### (A) For Buildings:

- i. No new tenancy created after 13/6/96 shall be considered. Further, unauthorized construction made in buildings for creating new tenancy in the existing tenancies shall not be considered while doing computation of existing FSI. A certified inspection extract of the Municipal Corporation for the year 1995-96 or Court Order proving the existence of tenements prior to 13/6/96 shall be considered adequate evidence to establish the number of tenements. However, the Govt. may issue comprehensive guidelines for determination of eligibility of occupiers and tenants therein.



ii. The list of occupants and the area occupied by each of them in municipal buildings and their irrevocable written consents shall be certified by the MCGM. The list of occupants in other buildings excluding slums and the area occupied by each of them and their irrevocable written consents as specified in clause 4(a) shall be certified by the MBRRB.

iii. Notwithstanding anything contained in these regulations, mezzanine floors having clear height of 1.8 m. and above constructed prior to 13/06/1996 and regularized subsequently shall be eligible for rehabilitation and incentive FSI.

**(B) For Slum Areas:**

- i. All the protected Occupiers as defined in Chapter IE of Slum Act and orders issued thereunder and certified by competent authority thereof.
- ii. A structure shall mean all the dwelling areas of all persons who are enumerated as living in one numbered house in the electoral roll of the latest date, upto 1st January 2000 or such other reference date Notified by the Govt. and regardless of the number of persons, or location of rooms or access.

**3. Land pooling for the CDS:**

The Promoter of CDS shall try to pool lands belonging to various categories of land holders including Public lands by obtaining their consent for including their lands in the proposed CDS, by resorting to any of the following methods of land pooling:

- 1) Purchase of lands, including buildings, if any, standing thereupon,

Provided that if the Promoter wishes to include any building or land belonging to the State Govt. or MCGM or MHADA or any Agency under the control of State Govt. (hereinafter collectively referred as "Public Authority"), then he shall make a written request in this regard through the Municipal Commissioner to an Empowered Committee (EC) headed by the Chief Secretary. This EC shall be as formulated by GoM.

The EC shall examine the request made by the Promoter in terms of the desirability of making the land belonging to a Public Authority available for CDS and would decide the terms of transfer of such land to the Promoter for the purpose of implementing CDS. In case the land sought by the Promoter belongs to an Authority created by or under a statute, the decision of the EC shall be subject to ratification/approval by such Authority.

- 2) Exchange of such land with a suitable land of at least equivalent value as per ASR land rates.
- 3) Procurement of DRs over such land, by way of registered document by the Promoter, provided that the area over which the Promoter holds DRs shall be regarded as one plot for all the purposes of the DCPR; or
- 4) Transfer of all lands included in the CDS to a legal entity (e.g: Registered Society or Company, Co-operative Housing Society, Charitable Trust, etc.) to be created by the Promoter for implementing the CDS where different landholders have stakes proportionate to their share in the total land under CDS; or
- 5) Acquisition of lands, provided the Promoter has purchased or procured DRs over at least 70% land comprised in the CD and there are dangerous buildings, declared as such by the Competent Authority, on the balance lands contained in the CD. In such a situation, the Promoter may approach the HPC for recommending the proposal to the Govt. for acquisition of such balance lands. Upon receipt of such request, the HPC may, after due examination, recommend to the Govt. as to which lands are required to be acquired for the purposes of CDS. The Govt., thereafter, shall take necessary

steps to acquire such balance lands under the provisions of the relevant law and transfer the same to the Promoter only for the purpose of implementing CDS after executing an agreement with him in this regard, subject to the Promoter depositing with the Govt. necessary amount of money for the land acquisition. For the purpose of land acquisition, CDS shall be regarded as public purpose.

4. a) Redevelopment or Reconstruction under CDS may be permitted in pursuance of an irrevocable registered written consent by eligible tenants/ occupiers of all authorized buildings not less than 51 percent of each building or 60 percent overall of the scheme involved in the CDS. Consent as aforesaid of tenants/occupiers for reconstruction or redevelopment shall not be required, if MHADA/MCGM undertakes redevelopment, on its own land, directly without any developer.

The Developer shall be required to submit along with the CDS proposal, proof of ownership or procurement of DRs in respect of at least 70% of the land under the proposed CDS(excluding Municipal Roads if maintained as existing in proposed CDS) and it shall be mandatory for him to submit such proof of ownership or procurement of development rights in respect of the balance area within one year from the date of issue of the LOI.

b) All the eligible occupants/tenants of the building(s) undergoing redevelopment shall be rehabilitated in the redeveloped building(s).

**5. Conditions of Rehabilitation:**

(i) Each occupant/tenant shall be rehabilitated and given on ownership basis, carpet area equivalent to the area occupied by such occupant/tenant in the old building. However, in case of residential/residential cum commercial occupants, such carpet area shall not be less than 27.88 sq. m. This shall be the “basic area”.

(ii) In addition to (i) above, there shall be “additional area” for the rehabilitation of residential/residential cum commercial Occupants governed by the size of the CD in accordance with the Table-A below

**Table-A**

Area of the Cluster Development	Additional Area (over & above basic area)
Above 1 ha up to 2 ha	15%
Above 2 ha up to 5 ha	20%
Above 5 ha up to 10 ha	25%
Above 10 ha	30%

Provided that if the carpet area of any occupant/tenement in the old building is 100 sq. m or more then he shall be eligible for additional area only on the basis of carpet area of 100 sq. m

Provided further that the rehabilitation entitlement of any occupant of a commercial establishment, who is allowed by the HPC to be rehabilitated in a residential tenement in lieu of his commercial establishment, shall also be governed by the aforesaid provisions applicable to the residential occupants in these Regulations. No occupant shall be given more carpet area than basic area + additional area, except in certain cases of planning constraints, where the Municipal Commissioner may allow marginally more area. Such additional area allowed due to planning constraints shall be deducted from the sale component without affecting the surplus area.

a) Each eligible residential or residential cum commercial slum dweller shall be entitled to a tenement of carpet area of 27.88 sq. m (300 sq. ft.) and

(b) Existing or max 20.90 sq.m whichever is less in case of non-residential.

(c) For purpose of existing "Carpet area"/ rehabilitation "carpet area" means the net usable floor area within a tenement excluding that covered by the walls or any other areas specifically exempted from floor space index computation as per then/prevaling Regulation but including the areas of balcony if allowed free of FSI as per then Regulation

**6. Total Permissible FSI for CDS:**

a) The total permissible FSI for an CDS shall be 4.00 on gross plot area, but excluding the reservations/ existing amenity, road set back, area under existing Municipal Roads but including the BUA under reservation/existing amenity, road set back or sum total of the Rehabilitation FSI + Incentive FSI, whichever is more.

Provided that the aforesaid FSI shall be exclusive of the Fungible Compensatory area admissible under the provision of DCR 31(3).

b) The incentive FSI admissible against the FSI required for rehabilitation shall be based on the ratio (hereinafter referred to as Basic Ratio) of Land Rate (LR), in Rs/sq. m., of the lands included in the URC; as per the ASR and Rate of Construction (RC)\* in Rs/sq. m, applicable to the area as per the ASR and shall be given as per the Table-B below:

**Table-B**

Basic Ratio (LR/RC)*	Incentive (As % of Admissible Rehabilitation Area)			
	For 0.4ha up to 1 ha	More than 1 ha up to 5 ha	More than 5 ha up to 10 ha.	For more than 10 ha
Above 6.00	55%	60%	65%	70%
Above 4.00 and upto 6.00	65%	70%	75%	80%
Above 2.00 and upto 4.00	75%	80%	85%	90%
Upto 2.00	85%	90%	95%	100%

Explanation: -

(i) \*RC is rate of construction in respect of RCC Construction and Land Rate (LR) is the rate of Open Land for FSI 1.

Provided further that in case there is more than one land rate applicable to different parts of the plot under the CDS, a weighted average of all the applicable rates shall be taken for calculating the Average Land Rate and the Basic Ratio.

Provided further that for calculation of the Basic Ratio, the Land Rate (LR) and the Rate of Construction (RC) shall be taken for the year in which the Cluster Development Project is approved and LOI is issued by the Authority competent to approve it and the said ratio shall remain unchanged even if such Scheme undergoes any revision or modification subsequently during its course of completion.

Provided further that if any new area is allowed to be added to or deleted from the CDS after such Scheme has been approved and if there is change in the slab prescribed above, the incentive FSI for

the total area of the revised Scheme shall be determined as per the new slab. Provided further that any new area being added to a CDS shall not be less than 75% of the minimum area required for CDS.

Provided further that augmentation of area of CD shall not be allowed after further CC has been issued in respect of more than 75% of the total permissible BUA sanctioned under the original Scheme and there shall be no revision of individual areas as a result of such amalgamation of area. However, deletion of area from a sanctioned scheme will be permissible, provided the construction of rehabilitation component has not commenced and such deletion does not break the contiguity of the area under CDS.

- c) If the total of rehabilitation FSI + incentive FSI is less than 4.00, then the Balance FSI over and above total of "rehabilitation FSI + incentive FSI" as per (b) above upto the limit of 4.00 shall be shared in terms of BUA between MHADA and the Promoter/Developer in accordance with Table-C below:

**Table-C**

Basic Ratio (LR / RC)*	Sharing of Balance FSI	
	Promoter/Developer Share	MHADA Share
Above 6.00	30%	70%
Above 4.00 and up to 6.00	35%	65%
Above 2.00 and upto 4.00	40%	60%
Upto 2.00	45%	55%

Provided that at the option of or with the approval of MHADA, the tenements coming to the share of MHADA can also be provided by the Promoter/Developer elsewhere within the same or adjoining Municipal Ward as per the following formula:

Area of tenements coming to MHADA's share at location 'B' in CDS = Area of tenements coming to MHADA's share at location 'A' in CDS X land rate as per ASR value of location 'A' / land rate as per ASR value of location 'B'

Where location 'A' refers to the location where tenements coming to MHADA's share under the Scheme are required to be given.

Location 'B' is the new location where such tenements are allowed to be given.

Provided further that the tenements so received by MHADA under its share shall first be offered free of cost to the MCGM and MMRDA for use as PAP tenements or as transit accommodation. If the MCGM and MMRDA do not require such tenements for PAP's or as transit accommodation, then the tenements received under its share shall be used by MHADA for PAPs or Transit Accommodation or shall be sold as AH with prior permission of the Govt.

d)"tolerated structures" encroaching upon roads in nearby vicinity shall be allowed to be included in the CDS and its BUA shall be included in rehabilitation area, provided such structures are permanently removed.

Explanation: The term "tolerated structure" means structure used for residential or non-residential purpose and existing prior to 17<sup>th</sup> April 1964 or 1<sup>st</sup> April 1962 respectively or date as decided by Govt.

e) It shall be permissible to implement the sanctioned CDS in phases provided the area of CD is more than 8000 sq. m (2 acres) in Island City and 12000 sq. m. in Suburbs and Extended Suburbs and the

development in each phase is strictly in conformity with the Master Plan/Layout Plan approved for the entire CDS.

Subject to the master plan for the whole cluster being followed, phase wise implementation of CDS may be allowed, with pro rata utilization of the total admissible FSI.

Provided further that, while giving permission for phased implementation of the CDS, the time frame for implementation of each phase shall also be given.

The minimum area for each phase shall be 4000sq. m. in Island City and 6000 sq. m. in Suburbs and Extended Suburbs.

Provided further that, while giving permission for phased implementation of CDS, the incentive FSI as per Table-B shall be first released as per the area of the plot under a given phase and the balance incentive FSI shall be released while giving approval to the last phase.

7. From the total FSI available under Clause 6, entire FSI towards rehabilitation component and MHADA's share shall have to be utilized on plot/plots under the Scheme. In case a part of incentive FSI is not proposed to be utilized on the same plot, the benefit of TDR as per Regulation No 32 shall be given. However, the quantum of TDR shall be governed by the following formula.

Incentive FSI at location 'B' in CDS = Incentive FSI at location 'A' in CDS X ASR value of Land at location 'A' / ASR value of Land at location 'B'

Where, location 'A' refers to the location where incentive FSI in CDS is generated.

Location 'B' is the new location where such incentive FSI is to be utilized.

#### **8. Development of DP Reservations:**

Construction or reconstruction of slums/buildings falling under Reservations contemplated in the DP shall be permissible as stipulated in the Regulation No.17(3)(C)(I)

a. Where a proposed DP Road or Regular line of street passes through the CDS area, the entire FSI admissible under this Regulation for the area of the road may be given in the same Scheme.

The location of and the area under DP road/ existing roads falling in the CDS may be allowed to rearranged based on the comprehensive traffic study without affecting the continuity of the existing traffic movement and without reducing the total area of the existing road & DP Road. The existing roads may be realigned or relocated as per provisions of MMC Act.

b. No premium shall be charged for the fungible compensatory area admissible as per Regulation 31(3) for rehabilitation component of CDS as sanctioned by HPC and for the tenements to be handed over to MHADA and for the areas of reservation to be handed over to MCGM/Appropriate Authority. This fungible compensatory area admissible to the rehabilitation tenements shall be utilized for rehabilitation component only. Its utilization for Sale Component under the URS shall not be permissible.

9. 30% of the incentive FSI can be used for non-residential purposes as otherwise permissible under the DCR.

10. Development cess at the rate of 100% of Development Charge, subject to a minimum of Rs 5000 per sq. m. for BUA over and above the existing BUA (excluding fungible compensatory area/BUA), for the rehabilitation and free sale component, shall be leviable in respect of any CDS by the MCGM and in accordance with the time schedule for such payment as may be laid down by the Commissioner. Development cess shall be in addition to development charges levied as per section 124 of MR&TP Act 1966.

This development cess shall not be applicable to the BUA to be handed over to the MCGM or any Public Authority in lieu of reservation or to the amenity areas to be handed over to the MCGM as per the requirement indicated by the MCGM or the HPC.

11. Temporary transit camps may be permitted in the same CD or elsewhere in MCGM limits on land belonging to the Promoter/Developer up to 4.00 FSI with the concessions permissible under SRA Scheme under Regulation 33(10). Such transit camps shall have to be demolished after full occupation certificate is granted to the Rehabilitation Component by the Corporation for the reconstructed building. Till the transit camps are fully demolished, the Commissioner shall not release FSI for the free sale area under the CDS in excess of 75% of the total admissible Incentive FSI.

12. Non-conforming Activities: All activities which are existing shall be allowed to be re-accommodated regardless of the non-conforming nature of such activities excepting those that are hazardous and highly polluting and those where alternative accommodation has to be provided elsewhere by the Promoter/Developer/MCGM.

13. Relaxation in Building and other requirements:

In case of tenements of 27.88 sq. m Carpet area for rehabilitation or tenements to be given to MHADA, towards its share and the BUA to be handed over to the Planning Authority/Appropriate Authority, the following shall be applicable.

13.1 Calculation of FSI for all purposes shall be on gross area of the CDS. Provision of LOS, to be kept on the site as per prevailing D.C. Regulations.

13.2 Notwithstanding anything contained in Regulation No.31(1), areas of common passages not exceeding 2.00 m in width, provided for giving access to the tenements in rehabilitation component and the tenements to be handed over against reservation and MHADA component shall not be counted towards FSI.

13.3 Front and marginal open spaces, for a building having height up to 32.0 m. in the rehabilitation component or a composite building, shall be 3.0 and 4.5 m respectively.

Provided that for a building having height more than 32.0 m and up to 70 m, open space of the width of 6 m at least on one side at ground level within the plot, accessible from the road side shall have to be maintained for the maneuverability of a fire engine, unless the building abuts two roads of 6 m or more on two sides, or another access of 6 m to the building is available, apart from the road abutting the building.

13.4 Notwithstanding the provisions in Regulation No 41 (Table No 18) where the location of the CD plot abuts a DP Road having width of 18.3 m and above. The front marginal open space shall not be insisted upon beyond 3.0 m provided such road is not an Express Highway or a road wider than 52 m.

13.5 Where the location of the CD plot abuts a trained nallah, the marginal open space along the nallah shall be 6.0 m from the edge of the trained nallah,

13.6 The distance between any two rehabilitation buildings up to 32 m height shall not be less than 6.00 m

13.7 If the height of any building constructed under CDS is more than 32.0 m, marginal open space shall be as per the Regulation No 41(5).

13.8 A composite building under CDS shall have at least 50 percent of BUA as rehabilitation component.

13.9 Wherever more than minimum front and marginal spaces have been provided, such additional area provided may be considered wherever necessary, as part of the AOS under the CDS comprising both rehabilitation and free sale components, without charging any premium, in relaxation of the stipulation in Regulation No. 27.

13.10 The means of access shall be normally governed by the provisions of Regulation No. 23. However, in the CDS, wherever the design of the buildings up to 32.0 m height requires relaxation in the width of access, the same may be given. However, high rise buildings shall be permissible as per Regulation No 19.

13.11 Even if the LOS is reduced to make the project CDS viable, at least 10 percent of CD plot area shall be provided as LOS. In addition, 10 percent of CD plot area shall be earmarked for LOS which can be adjusted against the DP reservation/land component of built up amenity, to be handed over to MCGM, if any, existing on such plot.

13.12 Premium shall not be charged for exclusion of staircase and lift well etc. as covered under the provisions of Regulation 31(1)

13.13 In order to make the CDS viable, the Municipal Commissioner shall be competent to sanction any relaxation in marginal open spaces except front marginal open space and parking requirements wherever necessary due to bonafide hardship, for reasons to be recorded in writing which shall not affect general health, fire and safety requirements. However, the Govt. shall have the power to relax any of the provisions in these Regulations.

13.14 All relaxations outlined hereinabove shall be admissible only in respect of the rehabilitation component and the composite buildings under the CDS. Premium shall not be charged for all or any of the relaxations given hereinabove or for any other relaxations mentioned in Regulation No 31(1). Provided that if any further relaxation in open spaces is granted by Municipal Commissioner then the same shall be subject to compliance of CFO requirement and recovery of premium at the rate 2.5% of ASR.

If any relaxation in open spaces except front open space in sale component is granted by Municipal Commissioner, then the same shall be subject to compliance of CFO requirement and recovery of premium at the rate 2.5% of ASR.

14. The approving/sanctioning authority for the building plans under the CDS shall be the Municipal Commissioner as per the MMC Act and MRTP Act, 1966 even if the CDS partly consists of declared slums/slums on Municipal/ Govt. lands existing prior to 1st January 2000 or such/other reference date notified by the Government.

15. Religious structures existing on the site of CDS prior to redevelopment, if allowed to be redeveloped in accordance with the guidelines issued by the Govt from time to time, shall not, following such redevelopment, have area exceeding their area prior to redevelopment.

16. Restriction on transfer of tenements shall be governed by provisions of Maharashtra Rent Control Act, till such time that a Co-op. Housing Society is formed and thereafter the same shall be governed by the provision of Maharashtra Co-op. Societies Act. However, tenements constructed for slum rehabilitation shall not be transferable for a period of 10 years.

17. Corpus Fund: An amount of minimum Rs 50,000/- per tenement or as directed by the HPC shall be created by the Promoter/Developer as a Corpus fund, which will be utilised for maintenance of the rehabilitation buildings for a period of 10 years.

18. Any ongoing scheme under Regulation 33(7) which fulfills the criteria under this Regulation can be included in the proposal under Regulation 33 (9) for approval or converted into a CDS under this

Regulation 33(9). However, all dilutions of reservations under Regulation 33(7) shall have to be restored as per this Regulation.

19. Heritage buildings of Grade-I and II as well as authorized and structurally sound retainable buildings may be included in the CD, but shall have to be kept as they are, along with land appurtenant, and this area shall be counted towards the slab of Incentive FSI, but shall not be considered for FSI under this Regulation. As regards such Heritage Structures, the Promoter/Developer shall have to contribute Heritage Cess at 5% of ASR on the basis of BUA of the Heritage structure. Existing provisions under the DCPR shall apply to Heritage Buildings of Grade-III and buildings in heritage precincts. However, if the URS contains Grade I structure, the HPC shall consult the MHCC before granting approval.

20. If HPC approves areas for amenities such as Fire Stations/Hospitals/Police Stations/Schools, etc. other than reservations/designations under theDP, such amenities shall be handed over to the concerned Authority free of cost. The BUA of such amenity shall be considered towards rehabilitation FSI, and incentive FSI as admissible under this Regulation shall be permissible.

21. HPC, headed by Municipal Commissioner and constituted by the Govt. ,shall be competent to approve the CDS with the previous sanction of the Govt under this Regulation. On approval by HPC, the proposal shall be submitted to the Municipal Commissioner, MCGM for approval of plans. The decision of HPC shall be appealable as if it is an appeal under section 47 of the MR&TP Act, 1966.

Provided that no CDS shall be sanctioned by the Govt without giving due regard to the Impact Assessment study referred to in clause 1.1 above.

22. Regardless of its area, any Cluster Renewal Scheme (CRS) for which LOI has been issued under Regulation 33(9) of DCR 1991 prior to the date of coming into force of this Regulation can be allowed to be converted as per this Regulation at the request of the Promoter/Developer, with the prior approval of the State Govt.

Provided that:

- a) For the purpose of calculation of Basic Ratio, as specified in Clause 6(b) above, the land rate (LC) and the Rate of construction (RC) shall be taken for the year in which such CDS was approved and LOI was issued by the competent authority.
- b) The surcharge on development leviable on such CDS after its conversion under this regulation, shall be calculated in accordance with the date on which the development cess had been paid and shall be recovered before issuing CC after the conversion of the Scheme. Any excess amount paid towards Development Cess shall be adjusted against any other charges due, but shall not be refunded.
- c) Conversion of such CDS, which has not been sanctioned by the Govt. earlier, shall require Govt. approval.

Provided further that after the coming into force of this Regulation, land pooling and the development of buildable reservations and construction of Transit Camps in the CDS approved prior to the coming into force of this Regulation may be done as per the provisions of this Regulation, if the same has not been completed so far, even where such CDS has not been converted to be developed as per this Regulation.



**33 (9) (A) Regulations for Dharavi Notified Area (DNA)****Urban Renewal Scheme under Dharavi Redevelopment Project (DRP):**

Areas undertaken by SRA under DRP for renewal and redevelopment of buildings/chawls including cessed buildings situated on non-slum areas within DNA, shall be a part of the entire DRP Area which shall have an overall FSI of 4.00. The entitlement of FSI on that particular plot shall be 4.00 or the FSI required for rehabilitation of existing tenants/occupiers plus incentive FSI and would be in accordance with the guidelines laid down below.

**1) Applicability of the provisions:**

For achieving comprehensive planning and development of non-slum areas of DNA through sectoral layouts of DRP, the provisions in this Regulation shall apply to the renewal and redevelopment of buildings/chawls including cessed properties and such schemes on areas which are part of DRP Area undertaken by DRP (SRA) by following competitive bidding process for DRP (SRA) through the developer or through Public Authority or any manner as may be decided by Government from time to time. The properties which are not part of DRP Area as defined above shall be developed in accordance with DCR 30.

For purpose of existing "Carpet area"/ equivalent "carpet area" means the net usable floor area within a tenement excluding that covered by the walls or any other areas specifically exempted from floor space index computation as per then/prevailing Regulation but including the areas of balcony if allowed free of FSI as per then Regulation.

2) Renewal & Redevelopment project formulated by SRA for buildings/chawls including cessed properties shall be with FSI of 1.72 or the FSI required for rehabilitation of existing eligible occupants, whichever is more. This shall exclusively be used for rehousing existing eligible occupants and for generating additional tenements/units. The BUA of such construction with 1.72 FSI or more shall be termed as RRC

3) (a) If areas redeveloped earlier under SRD/SRA schemes are included in the DRP Area for renewal and redevelopment under DRP, the TDR generated from the plot in the said SRD/SRA scheme would be deducted from overall calculation of FSI 4.00.

(b) For private unencumbered plot/s situated within DNA but presently excluded, the FSI shall be 4.00 on their inclusion in DRP. The developer however, shall have to pay premium as decided by DRP on BUA equivalent to 2.67 FSI of that plot upon which he could go up to BUA equivalent to 4.00 FSI in his free sale component.

4) The construction of RRC will be carried out by the developer so appointed under DRP at his cost as per the specifications, planning and requirements of DRP (SRA). Each eligible occupant shall be rehabilitated and given the carpet area occupied by him for residential purpose in the old building subject to the minimum fixed carpet area of 27.88 sq. m (300 sq. ft.) and maximum area equivalent to the area occupied in the old building. The carpet area upto 70 sq. m shall be part of RRC and shall be provided free of cost. However, area above 70 sq. m will be at construction cost to be determined by OSD, DRP (SRA) and the said cost to be paid by the respective occupant to the developer. Such surplus residential renewal area shall not qualify for calculating incentive RSC.

In case of non-residential occupier, the area to be given will be equivalent to the area occupied in the old building. The renewal tenements in the so completed buildings shall be handed over to the respective eligible occupiers of the old building as certified by the concerned Competent Authority free of encumbrances.

## 5) Eligibility for Renewal Rehab Tenements:

For URS, the existing tenants/occupants residing as on 1<sup>st</sup> January, 2000 shall be considered eligible. A certified inspection extract of the MCGM for the year 1999-2000 or Courts Order proving the existence of tenements prior to 1.1.2000 shall be considered adequate evidence to establish number and size of tenements. No new tenancy/occupancy created after 1.1.2000 shall be considered. Further unauthorized construction made in buildings/chawls, and unauthorized extensions to the tenements shall not be considered for any computation.

6) (a) An area equal to 13.33 sq. m BUA as Renewal Sale Component (RSC) shall be made available against the RRC of 10 sq. m for disposal in the open market. RSC can be clubbed with Slum Sale Component and Amenity Sale Component generated under DCR 33(10) (A) within the same planning sector.

(b) If the FSI required for rehabilitation of existing eligible occupants plus RSC exceeds FSI 4.00 of a particular plot, such excess quantum shall get absorbed while calculating overall FSI of 4.00 on entire DRP Area.

7) Non-Residential User as permissible in R and C zones as per Regulation No. 34 shall be allowed in Free Sale Components.

8) RRC shall be located at a suitable location within the respective planning sector layout and not necessarily be on the plot where they exist at present. In case of any site constraints, the same may be allowed to be located outside the particular sector layout, but within the DNA, with the special permission of OSD, DRP(SRA).

9) After the proposed RRC buildings are constructed in the sector layout, at approved location, in all respect including amenities such as water supply, sewerage lines, electricity etc., the present occupiers of the respective buildings, chawls, tenanted properties etc. of the concerned authorities shall be shifted to their respective newly built tenements as per the allotment to be finalized by the concerned authorities.

10) An individual agreement shall be made by the Land-Owning Authority/SRA/the developer so appointed by DRP (SRA) with the eligible occupier of each tenement /unit in the joint names of pramukh occupier and spouse for every structure on the renewal plots.

11) Tenements having a differently abled person or female-headed households shall be given first preference in allotment of tenements. Thereafter lots shall be drawn for allotment of tenements from the remaining tenements to the other occupiers.

12) In respect of those eligible occupiers on site who do not join the project willingly the provisions laid down under Regulation No.33 (9) and provisions of MHADA Act. 1976 shall be applicable.

13) The Managing Committee of the proposed Co-operative housing society of occupants to be formed after allotment of reconstructed tenements shall have women to the extent of one-third of the total strength of actual members on the committee at any time.

14) The tenement obtained under this scheme cannot be sold/leased/ assigned or transferred in any manner for a period of ten years from the date of allotment/possession of the tenement. In case of breach of conditions, except transfer to legal heir, the tenement will be taken over by DRP (SRA).

15) Building permissions for the Urban Renewal development shall be as per the procedure laid down under clause no. 2.1 to 2.8 of Regulation No.33(10) A.

16) Temporary transit accommodation shall be provided within DNA. If it falls on the area of amenity open space excluding D P road/open space reservation in accordance with the procedure laid down under Regulation No. 4 of 33(10) (A).

17) Relaxation in building and other requirements for the Urban Renewal development shall be as per the provisions laid down under clause no. 6.1 to 6.17 of Regulation No. 33(10) (A).

18) Urban Renewal Development and DP Reservations shall be as per the provisions laid down under clause no. 7.1 to 7.9 of Regulation No.33(10) A.

19) *The* concerned land owning authority shall give DRs of their land to DRP (SRA) in lieu of 70% of net premium that is payable by the developers, proportionate to the RRC generated on the said land. In case project is to be undertaken by Public Authority, the premium payable shall be as decided by the Government.

20) Ownership and Terms of lease – If land on which the RRC of DRP is to be constructed is part of Govt./MCGM/MHADA/MMRDA/Any Undertaking land, the same shall be leased to the Co-operative Housing Society of the occupants on 30 years' lease with a rent as decided by GoM from time to time and shall be renewable for a further period of 30 years. The same conditions shall prevail for land under the free sale component and the land shall be leased directly to the Society/Association of the purchasers in the free sale component and not through the society of renewal rehab occupants.

21) As soon as the approval is given to the Project, the no objection certificate for building permission of the land-owning authority shall be given in respect of that property to be developed under this Urban Renewal Scheme on lands belonging to any department, undertaking, agency of the State Government including MHADA, or any local self – Government such as the Municipal Corporation within 60days after the intimation of such approval to the Project is communicated. In the event of its refusal to grant NOC, reasons thereof shall be stated and in the event not been given within the period, it shall be deemed to have been given.

22) An amount of Rs40,000/-or such an amount as may be decided by the Govt. from time to time per tenement/ unit will have to be deposited by the developer with DRP as a corpus fund for utilization by the co-operative housing society of the renewal rehab occupants for the purpose of maintenance, in accordance with the time-schedule for such payment as may be laid down by OSD, DRP (SRA). However, by the time of completion of construction for occupation of tenements by the hutment dwellers, the total amount at the rate of Rs 40000 per tenement completed should have been deposited in full.

The building permission for the last 25 percent of the free sale component would be given only after the entire required amount is deposited in full with DRP (SRA).

23) An amount of Rs. 840/- per Sq. mt. shall be paid by the Developer for the BUA over and above the Zonal (basic) FSI, for the rehabilitation and free sale components. This amount shall be paid to DRP(SRA) in accordance with the time schedule for such payment as may be laid down by OSD, DRP(SRA), provided the installments shall not exceed beyond the completion of construction. This entire amount will remain with DRP (SRA) and the same shall be used for Schemes to be prepared for the improvement of infrastructure within Dharavi Redevelopment Project Areas.

24) SRA, after consultation with the concerned authorities may add, alter or amend the conditions under these Regulations with the previous approval of the Govt.

**Note:-**

The provisions of the DCR for Greater Mumbai, and all other applicable sections of the MR & TP Act, 1966, shall apply *mutatis mutandis* to the development of land with the modification that the

expressions "Municipal Corporation of Greater Mumbai" and "Municipal Commissioner" shall be substituted by the expressions "Slum Rehabilitation Authority" and "Officer on Special Duty, DRP (SRA)" respectively.

**33(9) (B): Reconstruction or redevelopment of Cluster of BDD chawls at Naigaon, Worli, N.M.Joshi Marg and Shivdi under Urban Renewal Scheme(s).**

For reconstruction or redevelopment of Cluster(s) of buildings under Urban Renewal Scheme(s) in the Island City of Mumbai undertaken by the Planning Authority, the FSI shall be 4.00 or the FSI required for rehabilitation of existing tenants/occupiers certified by competent Authority appointed by Government for this purpose, plus Incentive FSI as per the provisions of **Appendix** whichever is more.

**Appendix**

**Regulation for Reconstruction or Redevelopment of Cluster(s) of BDD chawls at Naigaon, Worli, N.M.Joshi Marg and Shivdi by implementing Urban Renewal Scheme(s).**

**1.1** "Urban Renewal Scheme" (URS) of BDD Chawls means a scheme for redevelopment of the cluster of buildings and structures constructed by Bombay Development Division in the Island City of Mumbai, at four locations and boundaries of the area as shown in DP hereinafter referred to as "Urban Renewal Cluster or URC" shall be a cluster identified for urban renewal :-

- 1) Under the Development Plan (DP), where the DP contains such well-defined Clusters; or
- 2) Under the Urban Renewal Plan (URP) for the concerned area, prepared and notified by the Officer appointed by the Planning Authority, who may revise the same as and when required; or
- 3) By Planning Authority, where such clusters of BDD Chawls are not shown on the DP and the URP is yet to be prepared.

Provided that no cluster or clusters shall be identified for redevelopment or implementation of Urban Renewal Scheme by the Officer appointed by the Planning Authority without carrying out an Impact Assessment Study regarding the impact on the city and sector level infrastructure and amenities as well as traffic and environment of the implementation of URS on such cluster or clusters.

Explanation—

1. The land under URS, irrespective of the tenure of the plots comprised therein, shall be treated as one plot for the purpose of FSI and computation of marginal distances.

2 In specific cases where URS is not bounded by roads, nallas and Railway lines, the boundary of the Cluster may be decided by the Officer appointed by the Planning Authority.

1.2 The Urban Renewal Cluster may consist of a mix of structures of different characteristics such as-

- (i) Cessed buildings in Island City, which attract the provisions of MHAD Act, 1976.
- (ii) (a) Buildings at least 30 years of age and acquired by MHADA  
(b) Authorized buildings at least 30 years of age constructed by Bombay Development Division (BDD).

Explanation. -- Age of a building shall be as on the 1st of January of the year in which redevelopment proposal for the URC complete in all respects, is submitted to the Officer appointed by the Planning Authority and shall be calculated from the date of occupation certificate or where such occupation certificate is not available, from the first date of assessment as per the property tax record in respect of such building, available with the PWD.

(iii) (a) Buildings belonging to the State Government and Central Government

(b) Any land belonging to the State Government, any semi-Government Organization, MCGM and MHADA (either vacant or built upon) which falls within the area of the proposed Urban Renewal Scheme including that which has been given on lease or granted on the tenure of Occupant Class II.

Provided that in case of buildings or lands belonging to the Central Govt., the State Government, Semi-Government Organizations and MCGM or MHADA, prior consent of the concerned Department shall have to be obtained for including such buildings or lands in any proposal of Urban Renewal Scheme.

(iv) Other buildings which by reasons of dis-repair or because of structural/sanitary defects, are unfit for human habitation or by reasons of their bad configuration or the narrowness of streets are dangerous or injurious to the health or safety of the inhabitants of the area, as certified by the Officer or the Agency designated for this purpose by Planning Authority.

(v) All dwelling structures, as defined in Section 3 X of Maharashtra Slums Area (Improvement, Clearance and Redevelopment) Act, 1971, existing prior 1-1-2000

Explanation: If some areas are previously developed/or are in the process of development under different provisions of the DCPR, such areas can be included in the urban renewal cluster only for planning purposes. However, such areas shall be excluded for calculation of FSI under this Regulation and the admissible FSI shall be calculated as per the relevant provisions of the DCPR under which such areas are developed or are being developed.

## **2. Eligibility of Occupants for Rehabilitation under Urban Renewal Scheme (URS)**

(A) For Buildings --

i. No new tenancy created after 13/6/1996 shall be considered. Further, unauthorized construction made in buildings for creating new tenancy in the existing tenancies shall not be considered while computing existing FSI. A certified inspection extract of the Competent Authority/MCGM prior to 13/6/1996 and certification by Competent Authority appointed by Government for this purpose as decided by GR dated 30/03/2016 proving the existence of tenements prior to 13/6/1996 shall be considered adequate evidence to establish the number of tenements and tenants/occupants of such tenements. However, the Govt. in Housing Department, if necessary may issue comprehensive guidelines for determination of eligibility of occupiers and tenants therein.

ii. The list of eligible tenants and the area occupied by each of them in BDD Chawls shall be certified by the Competent Authority appointed by Government for this purpose.

### **B) For Dwelling Structures (other than tenements in B.D.D. Chawls buildings)**

i) Dwelling Structures means all dwelling structures, as defined in Section 3 X of Maharashtra Slums Area (Improvement, Clearance and Redevelopment) Act, 1971, existing prior 1-1-2000.

ii) The eligibility of the participants will be certified by the Competent Authorities appointed by Government.

iii) The eligibility of such occupiers including transferee under this project shall be established in accordance with Chapter 1-B of Maharashtra Slum Area (Improvement, Clearance Redevelopment) Act, 1971 and orders issued there under.

**3. Rehabilitation Entitlements:-**

- (i) Each certified residential tenant/occupant shall be rehabilitated and given on ownership basis, a tenement of Carpet area 46.45 sq. m. This entitlement is consolidated entitlement of rehab area. No further compensatory or other FSI would be available.
- (ii) Eligible Religious structure/Eligible onsite amenities/Eligible any other non-residential structure shall be given existing carpet area or as decided by the Government.
- (iii) Each eligible slum dweller shall be entitled to a tenement of carpet area of 25 sq. m (269 sq.ft.)

**4. Total Permissible FSI for URS:-**

a) The total permissible FSI for an Urban Renewal Scheme shall be 4.00 on gross plot area, but excluding the reservations/designations, Road set back, area under existing Municipal Roads but including the built up area under reservation/designation, Road set back or sum total of the Rehabilitation FSI + Incentive FSI, whichever is more.

Provided that the aforesaid FSI shall be exclusive of the Fungible FSI admissible under the provision of DCPR 31 (3).

b) The FSI for Urban Renewal Schemes in CRZ area shall be governed by the MOEF Notifications issued from time to time.

c) The incentive FSI admissible against the FSI required for rehabilitation, shall be based on the ratio (hereinafter referred to as Basic Ratio ) of Land Rate (LR ), in Rs/sq. m, of the lands included in the Urban Renewal Cluster, as per the Annual Statement of Rates (ASR ) and Rate of Construction (RC)\* in Rs/sq. m., applicable to the area as per the ASR and shall be given as per the Table- B below :-

Table B

Basic Ratio ( LR/RC)*	Incentive ( As % of Admissible Rehabilitation Area )			
	For 0.4ha to1.0 ha.	For 1.0 ha to 5.0 ha	For 5.0 ha to 10.0 ha	For 10ha and above
Above 6.00	55%	60%	65%	70%
Above 4.00 and upto 6.00	65%	70%	75%	80%
Above 2.00 and upto 4.00	75%	80%	85%	90%
Upto 2.00	85%	90%	95%	100%

**Explanation:-**

- (i) \*RC is the rate of construction in respect of R.C.C. Construction, as published by the Chief Controlling Revenue Authority & Inspector General of Registration, Maharashtra State in the Annual Statement of Rates.

Provided further that in case there are more than one land rates applicable to different parts of the plot under the Urban Renewal Scheme, a weighted average of all the applicable rates shall be taken for calculating the Average Land Rate and the Basic Ratio.

Provided further that for calculation of the Basic Ratio, the Land Rate (LR) and the Rate of Construction (RC) shall be taken for the year in which the Cluster Development Project is approved and LOI is issued by the Authority competent to approve it and the said ratio shall remain unchanged even if such Scheme undergoes any revision or modification subsequently during its course of completion.

- d) "tolerated structures" encroaching upon the roads in nearby vicinity shall be allowed to be included in the Urban Renewal Scheme and its BUA shall be included in rehabilitation area, provided such structures are permanently removed.

**Explanation:** -The term "tolerated structure" means the structure used for residential or non-residential purpose and existing prior to 17th April 1964 or 1st April 1962 respectively.

e) It shall be permissible to implement the sanctioned Urban Renewal Scheme in phases. The development in each phase is strictly in conformity with the Master Plan/Layout Plan approved for the entire Urban Renewal Scheme.

Subject to the master plan for the whole cluster being followed, phase wise implementation of Urban Renewal Scheme may be allowed, with pro rata utilization of the total admissible FSI for rehab and incentive component simultaneously.

Provided, further that, while giving permission for phased implementation of the Urban Renewal Scheme, the time frame for implementation of each phase shall also be given. The minimum area for each phase shall be as decided by the Planning Authority.

#### **5. Development of DP Reservations:--**

Construction or reconstruction of slums/buildings falling under Reservations contemplated in the Development Plan shall be permissible as per Regulation No17(3)(C)(II)

**6.** 30% of the Incentive FSI can be used for non-residential purposes as otherwise permissible under the DCPR.

**7.** Development cess at the rate of 100% of Development charge otherwise applicable subject to a minimum of Rs 5000 per sq. m for the BUA over and above the Zonal (basic) FSI, for the rehabilitation and incentive sale component, shall be leviable in respect of any URS by the MCGM in accordance with the time schedule for such payment as may be laid down by the Commissioner, MCGM. This amount shall be kept in a separate account and shall be used for the improvement of off-site infrastructure around the urban renewal cluster. Development cess shall be in addition to development charges levied as per section 124 of MR&TP Act 1966.

This surcharge shall not be applicable to the BUA to be handed over to the MCGM or any Public Authority in lieu of reservation or to the amenity areas to be handed over to the MCGM as per the requirement indicated by the MCGM or the Empowered Power Committee.

**8.** The temporary transit camps may be permitted in the same Urban Renewal Cluster or elsewhere in MCGM limits on land belonging to the Planning Authority up to 4.00 FSI with the concessions permissible under SRA. Scheme under Regulation 33(10) of these DCPR. Such transit camps shall have to be demolished after full occupation certificate is granted to the Rehabilitation Component by the Officer appointed by the Planning Authority for the reconstructed building. Till the transit camps are fully demolished, the Officer appointed by the Planning Authority shall not release FSI for the Incentive component area under the URS in excess of 75% of the total admissible Incentive FSI.

**9.** In the case of specific designations/reservations in the Development Plan, the Officer appointed by the Planning Authority, may shift, interchange the designation/reservation in the same cluster, to

which an access is available from peripheral or outer road or has to be provided and the same is not encumbered, provided that the area of such designation /reservation is not reduced.

**10.Non-conforming Activities** – All activities which are existing shall be allowed to be re-accommodated regardless of the nonconforming nature of such activities excepting those which are hazardous and highly polluting and those where alternative accommodation has to be provided elsewhere by the Planning Authority.

**11. Relaxation in Building and other requirements:-**

In case of tenements of 46.45 sq. m carpet area for rehabilitation or tenements to be handed over to the Planning Authority, the following shall be applicable.

11.1 Calculation of FSI for all purposes shall be on gross area of the URS i.e. without deducting any percentage for recreational open space. This shall not affect the requirement of physical recreational open space, to be kept on the site as per prevailing DCPR

11.2 The provision in Regulation 37(20) relating to balcony shall apply to the URS with the following specifications: -Balcony shall not reduce marginal open space to less than 3.00 m. However, at ground level, minimum 4.5 m clear margin shall be maintained.

11.3 Notwithstanding anything contained in Regulation 31(3) of the DCPR, areas of common passages not exceeding 2.0 m. in width, provided for giving access to the tenements in rehabilitation component and the tenements to be handed over against reservation and Planning Authority component shall not be counted towards FSI.

11.4 Front and marginal open spaces, for a building having height up to 32.0 m. in the rehabilitation component or a composite building, shall be 4.5 m.

Provided that open space of the width of 6 meters at least on one side at ground level within the plot, accessible from the road side shall have to be maintained for the maneuverability of a fire engine, unless the building abuts two roads of 6 meters or more on two sides, or another access of 6 meters to the building is available, apart from the road abutting the building.

11.5 Notwithstanding the provisions in Regulation 41 (Table 18) where the location of the URC plot abuts a DP Road having width of 18.3 m and above. The front marginal open space shall not be insisted upon beyond 4.5 m provided, such road is not an Express Highway or a road wider than 52 m

11.6 Where the location of the URC plot abuts a trained nallah, the marginal open space along the nallah shall be 6.0 m from the edge of the trained nallah, or as required by SWD Department of MCGM, whichever is greater.

11.7 The distance between any two rehabilitation buildings shall not be less than 6.00 m

11.8 If the height of any building constructed under URS is more than 32 m, marginal open space of 6 m or as required by CFO whichever is greater shall be maintained.

11.9 Wherever more than the minimum front and marginal spaces have been provided, such additional area provided may be considered wherever necessary, as part of the amenity open space under the URS comprising both rehabilitation and incentive FSI components, without charging any premium, in relaxation of the stipulation in Regulation No. 27.

11.10 Pathways and Means of Access.:- the ratio between the length of the pathway and the width thereof shall be as follows:



Length	Width
Upto 20 m	1.5m
21 to 30 m.	2.0m
31 to 40 m.	2.5m
41 to 59 m	3.0m

11.11 Between the dimensions prescribed for the pathway and the marginal distances, the larger of the two shall prevail. The pathway shall act as access wherever necessary. The building shall be permitted to touch pathways.

11.12 The means of access shall be normally governed by the provisions of Regulation No. 23. However, in the URS, wherever the design of the buildings up to 32 m. height requires relaxation in the width of access, the same may be given. However, high rise building shall be permissible only on access having width of 9 m. and above.

11.13 Even if the recreational open space is reduced to make the project URS viable, at least 10 % of URC plot area shall be provided as recreational open space. In addition to this, 10% of URC plot area shall be earmarked for amenity space which can be adjusted against the D.P. reservation if any, existing on such plot. The type or location of the amenity to be decided by Officer appointed by the Planning Authority and shall be handed over free of cost to Planning Authority. The BUA of such amenity shall be added to the Rehab component while calculating the share of incentive component.

11.14 Premium shall not be charged for exclusion of staircase and lift well etc. as covered under the provisions of Regulation No 31(1)

11.15 In order to make the Urban Renewal Scheme viable, the Officer appointed by the Planning Authority shall be competent to sanction any relaxation in marginal open spaces except front marginal open spaces and parking requirements wherever necessary due to bonafide hardship, for reasons to be recorded in writing which shall not affect general health, fire and safety requirements. However the Govt. or Empowered Committee shall have the power to relax any of the provisions in these Regulations.

11.16 All relaxations outlined hereinabove shall be admissible to entire project area under the URS. Premium shall not be charged for all or any of the relaxations given hereinabove or for any other relaxations mentioned in Regulation No 31(1).

11.17 The parking in the scheme shall be provided as per Regulation No.44.

**12.**The approving / sanctioning authority for the building plans under the URS shall be the Officer appointed by the Planning Authority as per the MRTP Act, 1966 even if the URS partly consists/of declared slums/slums on Municipal/Govt. lands existing prior to 1st January 2000 or such/other reference date notified by the Government.

**13.**Religious structures existing on the site of URS prior to redevelopment, if allowed to be redeveloped in accordance with the guidelines issued by the Government from time to time, shall not, following such redevelopment, have area exceeding their area prior to redevelopment.

**14.**Restriction on transfer of tenements shall be governed by the provisions of Maharashtra Rent Control Act, till Co-op. Housing Society is formed and thereafter the same shall be governed by the provision of Maharashtra Co-op. Societies Act. However, tenements constructed for slum

rehabilitation shall not be transferable for a period of 10 years. Transfer fee and period for tenants and other beneficiary shall be as decided by Government.

**15.CORPUS FUND.-** A Corpus fund shall be created by the Planning Authority as directed by the Empowered Committee, which will be utilised for maintenance of the rehabilitation buildings for a period of 10 years.

**16.** If Empowered Committee as per Govt. GR dated 30/03/2016 approves areas for amenities such as Fire Stations/Hospitals/Police Stations/Schools, etc. other than the reservations/designations under the Development Plan, such amenities shall be handed over to the Planning Authority free of cost and the BUA of such amenity shall be considered towards rehabilitation F.S.I, and Incentive FSI as admissible under this Regulation shall be permissible.

**17.** Upon the recommendation by Planning Authority, the Empowered Committee constituted vide GR dated 30/03/2016 shall be competent to approve the schematic plans of Urban Renewal Schemes under this Regulation. On approval by the Empowered Committee, the Officer appointed by the Planning Authority shall sanction the final plans of URS.

Provided that no Urban Renewal Scheme shall be sanctioned by the Empowered Committee as per GR dated 30/03/2016 without giving due regard to the Impact Assessment study referred to in clause 1.1 of this Appendix.

### **33 (10) Redevelopment for Rehabilitation of Slum Dwellers:**

#### **I Eligibility for redevelopment scheme:**

(a) A person eligible for redevelopment scheme shall mean a protected occupier as defined in Chapter IB of Maharashtra Slums Areas (Improvement, Clearance and Redevelopment) Act, 1971 as amended time to time, hereinafter referred to as Slum Act and orders issued there under.

(b) Subject to the foregoing provisions, only the actual occupants of the hutment shall be held eligible, and the so-called structure-owner other than the actual occupant if any, even if his name is shown in the electoral roll for the structure, shall have no right whatsoever to the reconstructed tenement against that structure.

#### **II Definition of Slum, Pavement, and Structure of hut:**

(i) Slums shall mean those censused, or declared and notified, in the past or hereafter under the Slum Act. Slum shall also mean area/pavement stretches hereafter notified or deemed to be and treated as Slum Rehabilitation Areas.

(ii) If any area fulfils the condition laid down in section 4 of the Slum Act, to qualify as slum area and has been censused or declared and notified shall be deemed to be and treated as Slum Rehabilitation Areas.

(iii) Slum Rehabilitation area shall also mean any area declared as such by the SRA though preferably fulfilling conditions laid down in section 4 of the Slum Act, to qualify as slum area and/or required for implementation of any slum rehabilitation project. Any area where a project under Slum Rehabilitation Scheme (SRS) has been approved by CEO, SRA shall be a deemed slum rehabilitation area.

(iv) Any area required or proposed for the purpose of construction of temporary or permanent transit camps and so approved by the SRA shall also be deemed to be and treated as Slum Rehabilitation Areas, and projects approved in such areas by the SRA shall be deemed to be Slum Rehabilitation Projects.

(v) A pavement shall mean any Municipal/Govt. /Semi-Govt. pavement, and shall include any viable stretch of the pavement as may be considered viable for the purpose of SRS.

(vi) A structure shall mean all the dwelling area of a protected occupier as defined in Chapter I-B of Slums Act, and orders issued thereunder.

(vii) A composite building shall mean a building comprising both rehab and free-sale components and part thereof in the same building.

(viii) Censused shall mean those slums located on lands belonging to Govt., any undertaking of Govt., or MCGM and incorporated in the records of the land-owning authority as having been censused in 1976, 1980, or 1985 or prior to 1st January, 1995, and 1st Jan 2000

**III Joint ownership with spouse:** The reconstructed tenement shall be of the ownership of the hutment dweller and spouse conjointly, and shall be so entered and be deemed to be so entered in the records of the co-operative housing society, including the share certificates or all other relevant documents.

**IV Denotification as Slum Rehabilitation Area:** SRA on being satisfied that it is necessary so to do, or when directed by the State Govt, shall denotify the Slum Rehabilitation Area.

**V Applicability:** The following provisions will apply for redevelopment/construction of accommodation for hutment/pavement-dwellers through owners/developers/co-operative housing societies of hutment/pavement-dwellers/public authorities such as MHADA, MIDC, MMRDA etc./Non-Governmental Organizations anywhere within the limits of MCGM. However, NGO should be registered under the Maharashtra Public Charitable Trusts Act, 1961 and the Societies Registration Act, 1960 at least for the last five years should also be got approved by SRA.

#### **VI Right of the Hutment Dwellers:**

1.1 Hutment-dwellers, in the slum or on the pavement, eligible in accordance with the provisions of this Regulation shall in exchange of the protected dwelling structure, be given free of cost a residential tenement having a carpet area of 27.88 sq. m including balcony, bath and water closet, but excluding common areas.

For this purpose of "carpet area" means the net usable floor area within a tenement excluding that covered by the walls or any other areas specifically exempted from floor space index computation as per prevailing Regulation.

1.2 Even those protected dwelling structures having residential areas more than 27.88 sq. m will be eligible only for 27.88 sq. m of carpet area where Carpet area means area of tenements exclusive of all areas under walls including partition walls if any in the tenement.

1.3 All eligible hutment dwellers taking part in the SRS shall have to be rehabilitated in accordance with the provisions of this Regulation. It may be in situ and in the same scheme as far as possible.

1.4 Pavement dwellers and hutment dwellers in the slum on land required for vital public purpose or such location which are otherwise unsuitable for human habitation or non-suitable due to other statutory restriction shall not be rehabilitated in-situ but in other available location and in accordance with these Regulations. Competent Authority appointed by the State Government in Housing Department shall on the basis of verification of documents as may be prescribed shall decide on the eligibility of hutment dwellers.

1.5 The eligibility of a person including a transferee, under a scheme of Slum redevelopment shall be established in accordance with Chapter I B of Slum Act, and orders issued thereunder.

1.6 An individual agreement shall be entered into by the owner/developer/co-operative housing society/NGO with the eligible hutment-dwellers in the slum/pavement.

1.7 An individual agreement entered into between hutment-dweller and the owner/developer/co-operative society/ NGO shall be in the joint names of pramukh hutment dweller and spouse for every protected dwelling structure

1.8 Hutments dwellers in category having a differently abled person or female headed households shall be given first preference in allotment of tenements. Thereafter lots shall be drawn for allotment of tenements from the remaining tenements to the other eligible hutment-dwellers before grant of O.C.to rehab Building.

1.9 Transfer of Photopasses- Since, only the actual occupant at present will be eligible for redevelopment, there shall be no need to regularize the transfers of photopasses that have occurred so far. A photopass will be given after the new tenement has been occupied.

1.10 Any person who owns a dwelling unit on ownership basis in MCGM area, shall not be held eligible under this scheme. Any person who can be held eligible under more than one SRS, shall be held eligible in only one scheme.

1.11 Premium for ownership and terms of lease-. That part of Government/MCGM/MHADA land on which the rehabilitation component of the SRS will be constructed shall be leased to the Co-operative Housing Society of the slum-dwellers on 30 years. Annual lease rent of Rs. 1001 for 4000 per sq. m. of land or part thereof and lease shall be renewable for a further period of 30 years at a time simultaneously land under free sale component shall be leased directly to the Society/Association of the purchasers of the tenement under free sale component. Pending the formation of the Society/Association of the purchasers in the free sale component with a provision for further renewal for a period of 30 years at a time. The lease rent for the free sale component shall be fixed by SRA.

In addition to above, the Developer/Co-op. Housing Society shall pay premium at the rate of 25% of ASR of the year of issue of LOI, in respect of SRS proposed to be undertaken on lands owned by Government, Semi-Government undertakings and Local Bodies and premium shall go to land owing authority such as MHADA, MCGM, MMRDA as the case may be as prescribed by the land-owning authority. The premium installment so recovered shall be remitted to concern land owing authority within 30 days from the date of recovery.

In the case of Govt. land the premium shall be deposited in Nivara Nidhi.

The amount of premium shall be recovered in installment as may be prescribed by Govt. from time to time. Land owning authority such as MCGM, MMRDA, MHADA shall not recover land premium in any other form. Proposals for SRS on land owned by Central Govt shall not be accepted unless NOC for the scheme is obtained from Central Govt.

1.12 Automatic cancellation of Vacant Land Tenure and leases- If any land or part of any land on which slum is located is under vacant land tenure, the said tenure/lease created by MCGM or Municipal Commissioner shall stand automatically terminated as soon as letter of Intent is issued by SRA for a SRS, which is a public purpose, on such land is prepared and submitted for approval to the SRA. Any arrears of dues to be collected by MCGM shall not be linked to the issue of any certificate or NOC relating to the Slum Rehabilitation Scheme.

On sanction of SRS, rights of imla malik, municipal tenants or any other tenancy shall stand terminated in respect of the sanctioned SRS.

1.13 Recovery of pending dues such as assessment, compensation, occupational charges, non-agricultural tax/dues etc. pending with public authorities such as State Govt, MHADA, and/or MCGM

shall be dealt with separately and not be linked to grant of approval or building permission to the slum rehabilitation projects.

1.14 A Slum Rehabilitation Project shall be considered preferably when submitted through a proposed or registered co-operative housing society of hutment dwellers on site. The said society shall include all the eligible hutment on site while submitting the S.R. Scheme and give an undertaking to that effect to SRA.

1.15 Where 51% percent or more of the eligible hutment-dwellers in a slum and stretch of road or pavement contiguous to it at one place agree to join a rehabilitation scheme, it may be considered for approval, subject to submission of irrecoverable written agreements of eligible hutment-dwellers before LOI. Provided that nothing contained herein shall apply to Slum Rehabilitation Projects undertaken by the State Government or Public authority or as the case may be a Govt. Company as defined in Sec. 617 of the Companies Act 1956 and being owned & controlled by the State Government

1.16 In respect of those eligible hutment-dwellers on site who do not join the Project willingly the following steps shall be taken:

(i) Provision for all of them shall be made in the rehabilitation component of the scheme.

(ii) The details of the tenement that would be given to them by way of allotment by drawing lots for them on the same basis as for those who have joined the Project, will be communicated to them in writing by the Managing Committee of the Cooperative Housing Society if it is registered, or the developer. In case of dispute, decision of the CEO/SRA shall be final and binding on all the parties concerned.

(iii) The transit tenement that would be allotted to them or rent payable would also be indicated along with those who have joined the Project.

(iv) If they do not join the scheme within 15 days after the approval has been given to the Slum Rehabilitation Project on that site, then action under the relevant provision including sections 33,33(A) and 38 of the Slum Act, as amended from time to time, shall be taken and their hutments will be removed, and it shall be ensured that no obstruction is caused to the scheme of the majority of persons who have joined the scheme willingly.

(v) After this action under the foregoing clause is initiated, they will not be eligible for transit tenement along with the others, and they will not be eligible for the reconstructed tenement by lots, but they will still be entitled only to what is available after others have chosen which may be on the same or some other site.

(vi) If they do not join till the building permission to the Project is given, they will completely lose the right to any built-up tenement, and their tenement shall be taken over by the SRA, and used for the purpose of accommodating pavement-dwellers and other slum dwellers who cannot be accommodated in-situ etc.

1.17 The Managing Committee of the proposed as well as registered Co-operative housing society of hutment dwellers shall have women to the extent of one-third of the total strength of actual members on the committee at any time.

1.18 Restriction on Transfer of Tenements; the tenement obtained under this scheme cannot be sold/leased/assigned or transferred (except to legal heir) in any manner for a period of ten years from the date of allotment/possession of the tenement. In case of breach of conditions, except transfer to legal heir, the tenement will be taken over by SRA.

**VII. Building Permission for Slum Rehabilitation Project:**

- 2.1 The proposal for each Slum Rehabilitation Project shall be submitted to the SRA with all the necessary documents, no-objection certificates, and the plans as may be decided by the SRA from time to time.
- 2.2 Approval to the Project shall be given by the SRA within a period of 60 days from the date of submission of all relevant documents. In the event of failure by SRA to do so, the said approval shall be deemed to have been given, provided the Project is in accordance with the provisions of these Regulations.
- 2.3 The SRA while giving the approval may lay down terms and conditions as may be necessary.
- 2.4 The SRA shall adopt the procedure laid down in the MR & TP Act, 1966 for giving building permission to any Slum Rehabilitation Project under this Scheme.
- 2.5 On compliance with the terms and conditions, the building permission shall be given, in accordance with the provisions under section 45 of the MR & TP Act, 1966 to the Project under the SRS, first to the Rehabilitation component and thereafter to the free-sale component subject to the provisions in clause below.
- 2.6 Correlation between Rehabilitation and free-sale components: Building permission, for 10 percent of BUA of both the rehab and free-sale components may be given simultaneously and thereafter proportionately or as may be decided by the CEO, SRA.
- 2.7 Where the Project is being implemented directly by an NGO approved by SRA, CEO (SRA) may sanction 20 percent of the free-sale component without waiting for any expenditure on the rehabilitation component. The approval for remaining part of free-sale component will be given only after at least 30 percent of rehabilitation component is completed on site.
- 2.8 As soon as the approval is given to the Project, the NOC for building permission of the landowning authority shall be given in respect of that slum located on lands belonging to any department, undertaking, agency of the State Govt. including MHADA, or any local self-Government such as the MCGM within 60 days after the intimation of such approval to the Project is communicated. In the event of its refusal to grant NOC, reasons thereof shall be stated and in the event of its not being given within the period, it shall be deemed to have been given'.
- 2.9 Occupation certificate shall not be held up only for want of lease documents to be executed, in all slum rehabilitation projects taken up on lands belonging to any department, undertaking, agency of the State Govt., including MHADA, and any local self-Government such as the MCGM.

**VIII. Rehabilitation and Free-Sale Component:**

- 3.1 FSI for rehabilitation of eligible slum/pavement-dwellers includes the FSI for the rehab component, and for the free-sale component. The ratio between the two components shall be as laid down herein below.
- 3.2 BUA for rehabilitation component shall mean total construction area of rehabilitation component, excluding what is set down in 31 (1) of D. C. Regulations, but including areas under passages, aaganwadi, health centre / outpost, community hall /gymnasium / fitness centre, skill development centre, women entrepreneurship centre, yuvakendra/ library, Balwadi/s, society office, religious structures as permitted under Government Home Department Resolution dt. 05/05/2011 and 18/11/2015, other social infrastructure like School, Dispensary, Gymnasium run by Public Authority or Charitable Trust, 5 percent incentive commercial areas for the Co-operative society, and the further 5 percent incentive commercial area for the NGO, Govt./Public Authority/Govt. Company wherever eligible.

The incentive BUA shall depend on size of the scheme and rate of developed land and rate of construction as per ASR of year in which LOI is sanctioned.

Basic Ratio (LR/RC)*	Incentive as per area of scheme					
	up to 0.40 ha	More than 0.4 ha up to 1 ha	More than 1 ha up to 5 ha	More than 5 ha up to 10 ha.	For more than 10 ha upto 20 ha	For more than 20 ha
Above 6.00	0.8	0.85	0.90	0.95	1.0	1.05
Above 4.00 and upto 6.00	0.90	0.95	1.0	1.05	1.1	1.15
Above 2.00 and upto 4.00	1.0	1.05	1.1	1.15	1.2	1.25
Upto 2.00	1.10	1.15	1.2	1.25	1.3	1.35

\*RC is rate of construction in respect of RCC Construction and Land Rate (LR) is the rate of open Land for FSI 1.

3.3 Deleted

3.4 Deleted

3.5 Deleted

3.6 Deleted

3.7 FSI to be sanctioned on a Slum Rehabilitation scheme site may exceed 3.

3.8 Maximum FSI Permissible: FSI that can be sanctioned on any slum site shall be 4 or sum total of rehabilitation BUA plus incentive BUA whichever is more with Minimum Tenement Density of 650 per net Hectare. Due to local planning constraints and viability of the Slum Rehabilitation Project, the tenement density norms of 650 per net hectare may be reduced upto 25% by Chief Executive Officer, SRA subject to minimum tenement density of 500 per net hectare. In such cases, maximum permissible in-situ/total FSI shall be restricted to sum of rehabilitation and incentive BUA which may be generated in the scheme after such relaxation of tenement density. The computation of FSI shall be done for both rehab and free-sale component in the normal manner, that is giving the benefit of what is set down in Regulation No. 31(1). While the areas referred in sub regulations No 6.6 and 8.2 of this Regulation shall not be included for computation of FSI, the said areas shall be included for computation of the rehab component. In all cases where permissible in-situ FSI cannot be utilised in situ the difference between permissible FSI and that can be constructed in-situ, will be made available in the form of TDR in accordance with provisions of Regulation No. 32.

Provided that permissible in-situ FSI shall be as below

Criteria	Permissible in situ FSI
Access road of 9.0m. and above but less than 13.0 m.	3.0 or up to the sanctioned FSI of scheme, whichever is higher, subject to the observance of building height under reg. 19(2)
Access road of 13.0m. and above	4.00 or up to sanctioned FSI of the scheme, whichever is higher. Relaxation in marginal open spaces as required under regulation 41(5)(a)(iii) shall be granted by CEO (SRA) in case of demonstrable hardship. However, minimum Joint Open Space of 9m for buildings having height above 32m & up to 70m and 12m between two adjacent buildings for buildings having height above 70m but below 120 m shall be insisted. For buildings having height above 120 m, joint open space between two adjacent buildings shall be 15 m, however CEO (SRA) shall in case of hardship relax it to 12m after recording reasons in writing. The relaxations granted shall be subject to compliance of requirements of CFO's NOC.

Provided that the aforesaid FSI shall be exclusive of the Fungible compensatory area admissible under the provision of DCR 31(3).

3.9 Notwithstanding the provisions in 3.8 above, the slum dweller society/NGO/Developer undertaking the scheme may opt to claim TDR in lieu of sale component available for the scheme, on account of constraints such as height restrictions, uneconomical site conditions, etc.; if the full permissible FSI cannot be used on the same site, TDR may be allowed as may be necessary without consuming permissible FSI on the same site. However, TDR may be allowed only when the frame work for one complete building in rehab component is constructed or when 10% of the rehab component has been constructed on site and the said TDR will not exceed 50 percent of the construction of rehab component at any point of time till the total rehab component has been completed. On completion of the total rehab component balance TDR will be allowed.

3.10 The rehabilitation component shall mean all residential tenements as well as non-residential built-up premises given free of cost in accordance with the provisions of the SRS outlined in this Regulation excluding what is set down in Regulation No.31(1) and including aaganwadi, health centre / outpost, community hall /gymnasium / fitness centre, skill development centre, women entrepreneurship centre, yuvakendra /library existing eligible religious structure, school, dispensary, gymnasium run by Public Authority or charitable trust etc. as per provision of 8.1 & 8.2 but excluding built-up area given for buildable DP reservations.

3.11 Notwithstanding anything contained in this regulation, rehabilitation project of a slum located on land belonging to public authority and needed for a vital public purpose and where eligible slum dwellers which cannot be accommodated in the in-situ SRS of land under non-buildable reservations, is taken up on an unencumbered plot, TDR as per regulation 32 table 12(A) for the area of the land spared for this purpose shall be sanctioned for the owner of the said unencumbered plot and the TDR in lieu of cost of construction of BUA as per sub regulation 4.2 of regulation 32(A) shall be



permissible. For the purpose of this regulation, BUA shall be as per clause 3.2 of this Regulation. No sale component shall be permissible.

- 1) The Rehabilitation Project is approved by the SRA.
- 2) The tenements so constructed in execution of the Project are offered to slum dwellers located on land belonging to Govt. or Public Authority and needed for vital public purpose and within 270 days from the date of issue of LOI the Agency shall identify the slum dwellers.
- 3) If the Agency fails to identify the slum dwellers needed to be shifted for a vital public purpose, as above, then the tenements so constructed shall be offered;
  - a) to the slum dwellers located on land belonging to Government or Public Authority within a distance of 2 km. from the land on which the Project is undertaken, or
  - b) to the slum dwellers located anywhere in Greater Mumbai on lands belonging to Govt. or Public Authority, or
- 4) Further provided that in all above cases the relocation of. slum dwellers in any case will be undertaken not with reference to individuals but reference to assembly of slum dwellers for the purpose of releasing the plot of land wholly from slums and not only the patches of land.

Provided that notwithstanding anything mentioned above, project affected persons due to any vital Public Projects undertaken by MMRDA including PAP's under Mumbai Urban Transport Project (MUTP) being resettled as per the provisions contained in Government Resolution, Housing and Special Assistance Department, by order no. 700/CR 31/slum-2 dated 12/12/2000 and certified by the Project Director, MUTP will also be eligible for redevelopment scheme under this Regulation, as amended from time to time.

Provided further that in case of the ongoing scheme as per this provision and where the work as per tenements of size 20.90 sq. m or less for which full commencement certificate/occupation permission is issued/work completed and where the TDR in lieu of this rehab area is already availed; in such cases at the option of owner/developer with consent of occupants and with the approval of CEO(SRA), developer may convert these tenements as per this regulation and then the TDR for difference of carpet area may be made permissible (while granting the additional TDR as per this regulation, the land TDR shall not be permissible) .

This proviso is also applicable to other scheme under Regulation 33(10) wherein the buildings are declared dangerous and dilapidated.

Provided further that, for rehabilitation of Adivasi / encroacher in Sanjay Gandhi National Park and Adivasi/ encroacher in AAREY Colony Govt. Land, if undertaken on Govt. land by the developer, shall be eligible for TDR in lieu of construction of rehabilitation and resettlement tenements through a competitive Tender process by the Govt. or the implementing Govt. agency.

Provided further that, these provisions are also applicable to lands belonging to or leased out to or leased out by a Public Authority, a Statutory Authority, a Public Sector undertaking or any Department of Government of India and a Joint Venture with any of them, subject to payment of premium for infrastructure development as applicable under clause 9.2 of this Regulation.

3.12 All non-residential built-up areas shall be included in the computation of minimum density but on the scale of 25 sq. m of carpet area being one tenement. In slums where the existing tenement density is already more than 650 per net ha, the calculation of FSI for all purposes shall be on gross area, that is, without deducting any percentage for recreational open space. This shall not affect the requirement of keeping aside the said recreational open space on site, subject to the provisions in these Regulations.

3.12(A) Minimum tenement Density on the Plot Including Non-Residential Units: The minimum tenement density of rehabilitation so as to generate adequate number of additional rehabilitation tenements and affordable tenements in situ under any Slum Rehabilitation Project will be 650 tenements per net hectare i. e. after deducting all reservations actually implemented on site including the land appurtenant thereto, but not deducting the recreational/amenity open space on the remaining area. However, in slum rehabilitation schemes where permissible in-situ FSI is restricted to 3.00 or sanctioned FSI of the scheme as per Clause 3.8 hereinabove, minimum tenement density shall be 500 per net hectare. If the number of tenements to be provided to all eligible hutment dwellers is less than the minimum so constructed as per minimum tenement density of 650 or 500 per net hector, as the case may be, the balance shall be handed over free of cost to the SRA. The Authority shall use them for the purpose of transit accommodation or Project-affected persons or pavement-dwellers or slum dwellers from other slums or distribution would be done as per policy decided by the GOM.

(B) If there is balance FSI available in a slum scheme, after in situ development of rehab as well as sale component, development of additional tenements for the purpose of rehabilitation of slum dwellers on untenable land or for any other category as per policy & priority decided by Government, may be allowed in the scheme up to an extent such that this development and corresponding sale component development remains within the limit of maximum permissible FSI in the said scheme.

Provided that any ongoing Slum Rehabilitation Scheme where the eligibility of Slum Dwellers is revised and certified in accordance with guidelines contained in Government Resolutions zopudho-100/C.R.125/14/ zopasu-1, dt 16/05/2015, the scheme parameters shall be revised in accordance with above norms on certification of structural stability from competent Government/ Semi-Government Reputed Technical institutions such as IIT, VJTI etc.

Provided further that in case of slum redevelopment where there are no eligible commercial slum dwellers and where it is possible to provide commercial tenements on ground floor, then in such cases commercial PAP tenements of size of carpet area 20.90 sq. m (225 sq. ft.) or of required size shall be provided as decided by CEO(SRA) and same shall be handed over free of cost to SRA.'

Provided if SRS is undertaken by a Federation, Co- Op. Housing society consisting of members who are serving or retired State Govt. Employees/Employees of the State Govt. Undertakings/Employees of local bodies of State Government for providing housing to its members, such tenements which are generated over and above the tenements to be provided to the existing eligible hutment dwellers, shall be handed over back to the said Federation/Co.-operative Housing Society for providing housing to its above mentioned members and subject to further additional terms and conditions as would be imposed by the CEO, SRA to ensure adequate membership of class III and class IV employees.

C) To achieve rehabilitation of all slum dwellers together including those declared eligible at the later stage by Competent or Appellate Authority and for speedy implementation of the scheme the Slum Rehabilitation Scheme shall be sanctioned by taking into account all Slum dwellers as per certified slum plan, and Draft Annexure-II.

Provided that if number of slum dwellers declared eligible finally by Competent or Appellate Authority are less than rehab tenements so constructed under any Slum Rehabilitation Scheme, then remaining tenements shall be used by Slum Rehabilitation Authority for the purpose of rehabilitating non-protected occupants before 1st January 2011. Thereafter remaining tenements if any, shall be used for the purpose of transit or PAP or for pavement dwellers in slum rehabilitation area or non-protected occupants 1st January, 2011 from other slums and distribution would be done as per policy decided by Government of Maharashtra or slum dwellers from other areas and its distribution may be done as per policy decided by Government of Maharashtra.

3.13 Amalgamation/Subdivision of Plots and Balancing of FSI Thereon: Any land declared as slum rehabilitation area or on which slum rehabilitation project has been sanctioned, if it is spread on part or parts of C.S. Nos. or CTS Nos. or S. Nos or F. P. Nos shall be treated as natural amalgamation/subdivision/s of that C.S. or CTS or S. No. or F.P. No. for which no separate approval for amalgamation/subdivision of land would be necessary.

3.14 Boundaries and the Slum Rehabilitation Area shall be declared by the competent authority after actual measurement of plot area on site and the same shall be adopted for planning purpose for calculation of density and floor space index.

3.15 The CEO, SRA may if required, adjust the boundary of the plot declared as slum rehabilitation area so as to suit the building design and provide proper access to these Scheme. Provided further that the encumbered area under D P Road/Sanctioned Regular line road abutting the SRS shall be included in the scheme to be developed.

3.16 After approval is given to the Slum Rehabilitation scheme, the area may be further subdivided if necessary to earmark separate plots for the rehab component and the free sale component. The Plot area and the built-up area in terms of square meters on the said plot shall be separately mentioned in the lease agreements and Record of Rights.

3.17 The CTSO/SLR, of the district on payment of such fees as may be decided by the Govt. ensure that the City Survey sheet and property cards are corrected accordingly and fresh property cards are opened for each of the plots giving details regarding the area of the plots and the total area of the floors of the built-up property and TDR given that is, the FSI used on that plot.

#### 4 Temporary Transit Camps:

4.1 The multistoried temporary transit camp shall be provided on the site itself or outside the SRA project site on portion of plot which is not designated/reserved for public purpose or not affected by road widening and is preferably close to the site.

4.2 The eligible slum dwellers shall be shifted to temporary transit camp or on rent as may be mutually decided between the proposed society and developer.

4.3 The area of temporary transit tenements shall be excluded from the computation of FSI, but the safety of the structure shall be ensured by a license structural consultants. The minimum area of individual transit tenement shall be 14.5 sq. m.

4.4 Such building permission shall be given within 15 days from the date of application and after approval to the project by Slum Rehabilitation Authority, failing which it shall be deemed to be given.

4.5 On any nearby vacant site without any reservation in the DP construction of temporary transit tenements made of light material with the consent of the land-owners, shall be allowed upto an FSI of 4.0 and this shall be applicable in Island City as well as in suburbs and extended suburbs. Temporary shall mean made of detachable material such as tubular/prefabricated light structures.

4.6 In all such cases where the temporary transit camp is erected, the condition shall be that the structures shall be demolished by the Developer/Society/NGO within 30 days of granting Occupation Certificate to the rehab buildings and the site should be brought back to the original state. Till the transit camps are fully demolished, development rights for the free sale area shall not be permitted to be used beyond 75% of the total admissible free sale area permissible under this Regulation.

**5. Commercial / Office / Shop / Economic Activity Free of Cost:**

5.1 The eligible existing area under commercial/office/economic activity shall be computed on actual measurement/inspection, and/or on the basis of official documents such as License under the Shops and Establishment Act, Electricity bills, Photo pass etc.

5.2 In the rehabilitation component, the BUA for commercial/office/shop/economic activity that existed prior to the date as decided by the Govt. subject to the provisions in the sub-regulation below, shall be given. Where a person has both residential and commercial premises without common wall between residential and commercial premises, for commercial/office/shop/economic activity in the slum/ pavement, he shall be considered eligible for a residential/Commercial unit including BUA for commercial/office/shop/economic activity, both free of cost and carpet area of such unit shall not exceed 25 sq. m.

5.3 BUA for commercial/office/shop/economic activity upto 20.90 sq. m. (225 sq. ft.) carpet area or actual area whichever is less, shall be provided to the eligible person free of cost as part of the rehabilitation project. Any area in excess of 20.90 sq. m to the extent of existing area may, if required, be sold on preferential basis at the rate for commercial area in the free-sale component.

For this purpose of "carpet area" as per 5.2 and 5.3 above means the net usable floor area within a tenement excluding that covered by the walls or any other areas specifically exempted from floor space index computation as per prevailing Regulation.

5.4 Such area may be allowed on any side of the plot abutting 3.0 m wide pathway and deriving access from 3.0 m wide pathway/open space. Back-to-back shopping on ground floor shall also be allowed for the purpose of rehabilitation. After exhausting these provisions, it may be allowed on the first floor to the extent necessary.

5.5 Non-Conforming Activities: All activities which were previously existing shall be allowed to be relocated regardless of the non-conforming nature of the activities, except those which are hazardous and highly polluting, and except in cases where the alternative accommodation has already been allotted elsewhere by the MCGM.

5.6 Convenience Shopping in Free-Sale Component: Convenience shopping in the free-sale component vide DCR 2(IV) 32 shall be permitted along the layout roads. The CEO, SRA may add to alter or amend the said list for convenience shopping.

**5.7 Incentive Commercial Areas for Society and NGO**

(a) The scheme, when undertaken by a Co-operative Housing Society of slum dwellers, may provide an additional 5 per cent built-up area on the rehabilitation area free of cost for commercial purpose. This area will be at the disposal of the Co-operative Housing Society of the hutment-dwellers. The corpus amount shall not be spent, but the income from the property/corpus alone shall be used by the Society for maintenance of the building and premises, and such other purposes as may be laid down by the SRA.

(b) Where the scheme is undertaken by a Non-Government Organization Govt. or Public Authority or Govt. Company another additional 5 per cent BUA on the rehabilitation area may be given free of cost for commercial purpose. This area shall be at the disposal of the Non-Governmental Organization Govt. or Public Authority or Govt. Company in consultation with the cooperative housing society.

## 6. Relaxation in Building and Other Requirements:

Provision
6.1 Separate kitchen shall not be necessary. Cooking space (alcove) shall be allowed without any minimum size restrictions. Where a kitchen is provided, the minimum area shall be 5 sq. m provided the width shall be at least 1.5 m.
6.2 There shall be no size restriction for bath or water closet unit. Moreover, for bathroom, water closet or kitchen, there shall be no stipulation of one wall abutting open space, etc. as long as artificial light & ventilation through any means are provided.
6.3 In water closet flushing system shall be provided with minimum seat size of 0.46 m (18 inches).
6.4 A septic tank filter bed shall be permitted with a capacity of 150 liters per capita, where the municipal services are likely to be available within 4-5 years
6.5 In the rehabilitation component, lift shall not be insisted upon, upto ground plus five floors.
6.6 Notwithstanding anything contained in this regulation areas of common passages not exceeding 2.0 m in width provided in rehabilitation component to give access shall not be counted towards FSI even while computing FSI on site.
6.7 Where the location of the plot abuts a nallah, the marginal open space along the nallah shall not be insisted upon beyond 3m from the edge of the trained nallah provided at least on one side of nalla, marginal open space of 6 m is provided.
6.8 The distance between any two rehab/composite buildings up to height of 32 m shall not be less than 6 m
6.9 A composite building shall contain at least 50 percent of the built-up area as rehabilitation components
6.10 Wherever more than the minimum front and marginal spaces have been provided, such additional area provided may be considered as part of the amenity open space in the project comprising both rehabilitation and free sale components, and without charging any premium for, relaxation as per clause 6.11 ,
6.11 Even if the amenity space is reduced to make the project viable a minimum of at least 8% of amenity open space shall be maintained at ground level.
6.12 Between the dimensions prescribed for the pathway and marginal distances, the larger of the two shall prevail. The pathway shall act as access wherever necessary. The building shall be permitted to touch pathways.
6.13 The means of access shall be normally governed by the provisions of Regulation No. 23. However, in the project, wherever the design of the buildings in the same land requires relaxation, it may be given. Access through existing pathways including the roads maintained under section 63K of the MMC Act, 1888 but not less than 3.6 m in width, shall be considered adequate for any slum rehabilitation project, containing buildings having height up to 32 m including stilts
6.14 Premium shall not be charged for exclusion of staircase and lift-well etc. as covered under the provisions of DCR 31(1).

<p>6.15 All relaxations outlined hereinabove shall be given to the rehabilitation component, and also to the composite buildings in the project. Premium shall not be charged for all or any of the relaxations given for rehabilitation and composite buildings herein above. Provided that if any further relaxation in open spaces is granted by Chief Executive Officer then the same shall be subject to compliance of CFO requirement and recovery of premium at the rate 2.5% of ASR. In case of Slum Rehabilitation Schemes under this regulation, the amount of premium shall be computed as per the ASR rate prevailing at the time of issue of IOA and the same shall be recovered at the time of grant of full occupation permission to the respective building. However, this mode of payment of premium shall not be applicable for any other redevelopment scheme other than that under Regulation 33(10). All other redevelopment schemes shall be governed by their respective regulations.</p>
<p>6.16 Relaxations for the free sale component – Relaxation contained in sub regulation No. 6.9 above, as well as other necessary relaxation shall be given to the free sale components on payment of premium at the rate of 2.5% of Ready Reckoner Rate or 10% of normal premium whichever is more.</p>
<p>6.17 In order to make the SRS viable, the CEO of SRA shall be competent to make any relaxation wherever necessary for reasons to be recorded in writing.</p>
<p>6.18 For rehabilitation tenements under regulation 33 (10) car parking at the rate mentioned in Regulation 44 table 21 shall be provided or one parking space per tenement for two-wheeler shall be provided. The above parking spaces may be provided in any combination.</p>

## 7. Slums and Development Plan Reservations:

Slums situated in lands falling under various reservations/zones in the DP shall be developed in accordance with the Regulation No 17(3)(D).

7.1 Wherever slum and municipal/MHADA property are found together or adjoining, it would be eligible for redevelopment using provisions of both DCPR 33(7) and of DCPR 33(10), development of slum and contiguous non-slum area provided slum area shall be more than 51% of the scheme area under any other provisions of these regulations may be allowed together in order to promote flexibility of design as well as to raise more resources. Provided that the FSI of non-slum quantum of area shall be restricted to that permissible in the surrounding zone, inclusive of admissible TDR on non-slum area including the plans for admissible TDR shall be approved by CEO, SRA. The power under D.C. Regulation 13(6) for shifting and/or interchanging the purpose of existing amenity /reservations shall be exercised by the CEO, SRA. However, in case of shifting of the alignment of Road /D P Road, same shall be done in consultation with MCGM.

Whenever a non-slum land other than SDZ, where zonal (basic) FSI offered is less than one in residential zone, is contiguous to a slum plot getting developed under 33(10) & is needed for better planning, SRA may sanction the amalgamation of the said plot with the scheme provided that 30% of the area of non-slum plot is handed over free of cost & encumbrances to the Corporation for purposes of POS or amenity open space. On such amalgamation 70% of the area getting appended to the slum scheme shall be treated at par with non-slum residential plot that are attached to the scheme. However, utilization of 'TDR' or 'Additional FSI on payment of premium' on such non-slum plot shall not be permissible.

7.2 Slum Rehabilitation Permissible on Town Planning Scheme Plots: Slum Rehabilitation Project can be taken up on Town Planning Scheme plots also, after they are declared as slums/slum rehabilitation areas.

7.3 Contravening structures in the adjoining final plots, if declared as a slum rehabilitation area by the competent authority, may be included in the Slum Rehabilitation Scheme in the relevant Final Plot of the Town Planning Scheme.

7.4 In case of a slum rehabilitation project adjoining railway tracks, a boundary wall of minimum 2.4 m in height shall be constructed.

**8. Aaganwadi, Health Centre / Outpost, Community Hall /Gymnasium / Fitness Centre, Skill Development Centre, Women Entrepreneurship Centre, Yuva Kendra / Library Society Office, and Religious Structures:**

8.1 There shall be Balwadi, Welfare hall and any of two amenities mentioned above. There shall be health Centre/ outpost, Aaganwadi, skill development centre, women entrepreneurship centre, yuvakendra / library of size 27.88 sq. m for every multiple of or part of 250 hutment dwellers. In case of misuse, it shall be taken over by the SRA which will be competent to allot the same to some other organization /institution for public use. Balwadi shall also be provided for on a similar scale. An office for the Co-operative housing society shall be also constructed for every 100 rehab tenements in accordance with D.C. Regulation No. 37(9). However, if the number of rehab tenements exceeds 100 then for every 100 rehab tenements such additional society office shall be constructed. There shall be a community hall for rehab bldg. of the Project as a part of the rehabilitation component. The area of such hall shall be 2% of rehab built up area of all the buildings or 200 sq. m whichever is less.

Religious structures existing prior to redevelopment, if allowed in accordance with the guidelines issued by Govt. from time to time as part of redevelopment shall not exceed the area that existed prior to redevelopment. Other social infrastructure like School, Dispensary and Gymnasium run by Public Authority or Charitable Trust that existed prior to the redevelopment shall be allowed without increase in existing area.

However, it is provided that in the slum rehabilitation project of less than 250 hutments, there shall be Balwadi, Welfare hall and any of two amenities mentioned above, as decided by co-operative housing society of slum dwellers, of size of 25 sq.mt and office for the Co-operative housing society in accordance with D.C. Regulations No. 37(9).CEO, SRA may permit accumulation of the amenities mentioned above but ensure that it shall serve equitably to the rehab area.

8.2 All the areas underlying Aaganwadi, health centre / outpost, community hall /gymnasium / fitness centre, skill development centre, women entrepreneurship centre, yuvakendra / library community hall/s, society office, balwadi/s, religious structure/s, social infrastructure like School, Dispensary, Gymnasium run by Public Authority or Charitable Trust, the commercial areas given by way of incentives to the co-operative society and the nongovernmental organisation shall be free of cost and shall form part of rehabilitation component and it is on this basis the free-sale component will be computed. These provisions shall apply to construction of transit camps under DC Regulations 33(11) also.

8.3 Aaganwadi, health centre / outpost, community hall /gymnasium / fitness centre, skill development centre, women entrepreneurship centre, yuvakendra / library society office, Balwadi/s and religious structures, social infrastructure like School, Dispensary and Gymnasium run by Public Authority or Charitable Trust in the rehab component shall not be counted towards the FSI even while computing permissible FSI on site.

**9. Payments to be made to SRA and Instalments:**

9.1 An amount of Rs. 40,000/- or such an amount as may be decided by the Planning Authority from time to time per tenement including the welfare hall and balwadi in the rehab component as well as in the case of permanent transit camp tenements will have to be deposited by the owner/developer/society with the Slum Rehabilitation Authority, in accordance with the time-schedule for such payment as may be laid down by the CEO, SRA. However, by the time of completion of construction for occupation of tenements by the hutment dwellers, the total amount at the rate of Rs. 40,000/- per tenement completed should have been deposited in full. The building permission for the last 25 percent of the free-sale component would be given only after all the required amount is deposited in full with SRA.

9.2. An amount at the rate of 2% of ready reckoner rate as prevailing on the date of issue of LOI per sq. m or such an amount as may be decided by GOM from time to time shall be paid by the Owner/Developer/Society/NGO for the BUA over and above the Zonal (basic) FSI (excluding fungible compensatory area), for the rehabilitation and free-sale components. Similarly, it shall be paid for the built-up area over and above the normally permissible FSI for construction of permanent transit camps in accordance with the provisions under DCR 33(11). This amount shall be paid to the SRA in accordance with the time-schedule for such payment as may be laid down by the CEO, SRA provided the installments shall not exceed beyond the completion of construction. This amount shall be used for Schemes to be prepared for the improvement of infrastructure in slum or slum rehabilitation areas. These infrastructural charges shall be in addition to development charges levied as per section 124 of MR&TP Act 1966.

Provided that out of amount so recovered as Infrastructural charges, 90% amount will go to MCGM and 10% amount will remain with SRA.

**10 Clubbing:**

This provision shall not apply to the plots wherein permissible Zonal F.S.I. is less than 1.00.

The entire rehabilitation components for resettlement & rehabilitation of slum as applicable and the corresponding sale components from the additional FSI amongst two or more schemes under this regulation can be permitted to be interchanged. A developer / developers making an application under this regulation may club more than one plot belonging to single or multiple owners and offer resettlement & rehabilitation of slum on a single plot while shifting sale component as well as base FSI of the plot to other plots provided all right holders of these plots agree and make a joint application. However, clubbing shall be allowed only if it leads to an independent plot / building / wing as the case may be with tenements being handed over to Planning Authority.

The developer shall have to pay premium as an unearned income equal to 30% of sale value of interchanged BUA of Sale component as per ASR

Provided further that, if Scheme under this Regulation is clubbed with Scheme under clause 3.11 of Regulation 33(10) or 33(11), then the premium as unearned income at the rate of 40% of Sale of interchanged BUA of Sale component as per ASR shall be recovered from the developer.

Provided further that, in case of the non-viable scheme if CEO, SRA directs to club compulsorily with other scheme under this Regulation then same shall be allowed by charging premium at the rate of 20% of the ASR.

Such clubbing of schemes may be allowed for the schemes within 'Island City' with schemes in 'Island City' and within 'Western Suburbs & Extended Suburbs' with schemes in 'Western Suburbs & Extended Suburbs' and within 'Eastern Suburbs & Extended Suburbs' with schemes in 'Eastern Suburbs & Extended Suburbs'.



Provided that such clubbing will also be allowed in adjoining ward irrespective of location.

Provided that, for a scheme where clubbing has been permitted by the earlier DCR, the same can be continued for the slum dwellers who become eligible at latter stage.

Note (I) This provision shall not apply to the plots wherein permissible Zonal F.S.I. is less than 1.00.

(II) The premium amount so collected under rehabilitation scheme under this regulation shall be kept in the separate account to be utilized as shelter fund for the State of Maharashtra.

### **11. Conversion of Old Project into New Project:**

11.1 Provision of the Regulation 9 (6) shall be applicable.

*Provided further that* Projects, where LOI has been granted, shall be treated as per the DCR provisions existing on the date of LOI. In case such a project comes up for revised LOI or change of developer or any other change, including recording and resubmission without change in slum boundary, prevailing DCR provisions shall apply. Provided further that for clubbing of schemes or amalgamation of schemes being sought and for schemes that have been sanctioned under different regulations (earlier as well as current one), FSI calculations shall apply as per the DCR regulations as on LOI dates of different schemes.

11.2 Exceptions

1) Schemes approved prior to coming into force of these Regulation:

The slum rehab schemes where LOI has been issued by SRA prior to the date of coming into force of these Regulations and which is valid may continue to be governed by the regulation applicable prior to these Regulations.

2) Wherever the S.R. Scheme sanctioned by CEO (SRA) is under progress on reservations as per sanctioned scheme, shall be valid & continue.

### **33 (10) (A) Slum Rehabilitation Scheme within Dharavi Notified Area (DNA) for Dharavi Redevelopment Project (DRP):**

Areas undertaken by Slum Rehabilitation Authority under DRP for redevelopment of hutments situated on slum areas within DNA shall be part of entire DRP Area. The DRP area shall have an overall FSI of 4.00. The entitlement of FSI on that particular plot would be in accordance with the guidelines given below

#### **I Eligibility for redevelopment scheme**

(a) For redevelopment of slums including pavements, whose inhabitant's names and structures appear in the electoral roll prepared with reference to 1<sup>st</sup> Jan, 2000 or a date prior thereto, but where the inhabitants stay at present in the structure, the provisions of this Regulation shall apply on the basis of a tenement in exchange for an independently numbered structure.

(b) Subject to the foregoing provision, only the actual occupants of the hutments shall be considered eligible, and the so-called structure owner other than the actual occupant if any, even if his name is shown in the electoral roll for the structure, shall have no right whatsoever to the reconstructed tenement against that structure.

#### **II Definition of Slum, Pavement, Structure of hut, planning sectors and related terms:**

i) For this purpose, slums shall mean those censused, or declared and notified, in the past or hereafter under the Maharashtra Slum Areas (Improvement, Clearance and Redevelopment) Act, 1971 as amended time to time, hereinafter referred to as Slum Act. Slums shall also mean

areas/portions of pavement stretches, existing & proposed roads, Railway Lands, area under electric H.T. power lines, Nalla banks hereafter notified or deemed to be and treated as DRP Area.

ii) If any area fulfills the condition laid down in section 4 of the Slum Act to qualify as a slum area and has been censused or declared and notified shall be deemed to be and treated as DRP Area.

iii) DRP Area shall also mean any area declared as such by the SRA though preferably fulfilling conditions laid down in section 4 of the Slum Act to qualify as slum area and/or required for implementation of (DRP). Any area where a scheme under DRP within DNA has been approved by Officer on Special Duty (OSD), DRP (SRA) shall be a deemed DRP Area.

iv) Any area required or proposed for the purpose of construction of temporary or permanent transit camps and projects on any/adjacent land for the amalgamated land for developments so approved by the SRA shall also be deemed to be and treated as DRP Area, and projects approved in such area by the DRP cell of SRA shall be deemed to be DRP.

v) A pavement shall mean any Municipal/Govt./Semi-Govt. pavement and shall include any viable stretch of the pavement as may be considered viable for the purpose of DRP scheme.

vi) A structure shall mean by all dwelling areas of all persons who were enumerated as living in that one numbered house in the electoral roll of the latest date, up to 1<sup>st</sup> Jan 2000 and regardless of the number of persons, or location of rooms or access.

vii) A composite building shall mean a building comprising both rehab and free-sale components and part thereof along with built up amenity, if proposed, in the same building.

viii) Censused shall mean those slums located on lands belonging to Govt., any undertaking of Govt., or MCGM and incorporated in the records of land owning authority as having been censused in 1976, 1980, 1985, 1995 or prior to 1<sup>st</sup> Jan 2000.

ix) "Dharavi Notified Area (DNA)" shall mean the area of Dharavi for which GoM, by exercising the powers conferred by sub-section(1B) of section 40 of MR & TP Act, 1966, have appointed 'SRA' as SPA for Planning & Development and which is specifically defined in the Govt.'s notification no.TPB-4304/322/CR-56/04/UD-11 dt. 9/3/2005. and no.TPB-4308/3499/CR-83/09/UD-11 dtd. 25.6.2009.

x) "Planning sector" shall mean the plot of lands comprising C.S. Nos. /CTS Nos. partly or wholly derived from DNA and which will be bounded mainly by existing major roads, railway lines, village boundary and the proposed major roads so as to achieve well planned and controlled development of DRP along with various amenities and facilities to be provided for people at large within the boundaries of such plots/areas. Such divided plots/areas are termed as planning sectors. The extent of area and number of planning sectors shall be as per approval obtained from the Committee of Secretaries appointed to monitor DRP vide Government Resolution of Housing Department No. SRA/2003/CR-189/SI-1A dt. 4.2.2004 (hereinafter referred to as "Committee of Secretaries").

III **Joint ownership with spouse:** The reconstructed tenement shall be of the ownership of the hutment dweller and spouse co-jointly, and shall be so entered and be deemed to be so entered in the records of the co-operative housing society to be formed after getting allotment in the completed rehab building through Asst. Register of societies (SRA), including the share certificates or all other relevant documents.

IV **Denotification as DRP Area:** OSD, DRP (SRA) on being satisfied that it is necessary so to do, or when directed by the state GoM, shall denotify the DRP Area.

**1. Applicability of the provisions of this appendix:**

The following provisions will apply for redevelopment/construction of accommodation for hutment/pavement-dwellers which are part of DRP undertaken by DRP (SRA) through the developer to be appointed by DRP(SRA) with the prior approval of the committee formed by the Housing Department Resolution no. Zopuyo 2003/CR-189/Zopsu-1 dt.4.2.2004 by following competitive bidding process for DRP (SRA) through the developer or through Public Authority or as decided by Government from time to time. This Regulation is not applicable to the properties which are not part of DRP.

The properties which are not part of DRP as defined above shall be developed in accordance with Regulation No 30 only. The other provisions of DCR allowing higher FSI which are permitted under Regulation No 33 shall not be applicable to such properties which are not part of DRP.

**Right of the Hutment Dwellers:**

1.1 Hutment-dwellers having existing carpet areas upto 27.88 sq. m (300 sq. ft.), in the slum or on the pavement, eligible in accordance with the provisions of DCR 33(10) (A) shall in exchange for their structure, be given free of cost a residential tenement having a carpet area totaling to 27.88 sq. m (300 sq. ft.) with a separate living room, kitchen, bedroom, bath and water closet, but excluding common areas. Carpet area shall mean exclusive of all areas under walls including partition walls if any in the tenement.

1.2 For those structures having residential areas more than 27.88 sq. m (300 sq. ft.) will be eligible for residential tenement having carpet area totaling to 37.16 sq. m (400 sq. ft.). Out of this total 37.16 sq. m area, 27.88 sq. m (300 sq. ft.) area will be free of cost and area above 27.88 sq. m (300 sq. ft.) admeasuring 9.29 sq. m (100 sq. ft.) will be at construction cost to be determined by OSD, DRP (SRA) and the said cost to be paid by the hutment dweller to the developer. Carpet area shall mean exclusive of all areas under walls including partition walls if any in the tenement. Only 37.16 sq. m (400 sq. ft.) carpet area shall be given and if proposal contains more area, it shall not be taken up for consideration.

For the purpose of, "Carpet area" as per 1.1 & 1.2 above means the net usable floor area within a tenement excluding that covered by the walls or any other areas specifically exempted from floor space index computation as per then/prevaling Regulation but including the areas of balcony if allowed free of FSI as per then Regulation

1.3 All eligible hutment dwellers taking part in the DRP shall have to be rehabilitated according to the provisions in this Regulation. It may be in the same sector or other sectors within the jurisdiction of DRP.

1.4 Pavement dwellers and hutment dwellers in the slum on the land required for vital urgent public utility/purpose or on the hazardous location or affected by DP proposals shall not be rehabilitated in-situ but in other available plots within jurisdiction of DRP.

1.5 A certified extract of the relevant electoral roll shall be considered adequate evidence to establish the eligibility of a person provided he is found residing in the structure. This is to avoid the possibility of persons who have left the structure coming back to claim free tenement under the scheme even though they have in the normal course left the slum and gone away into a proper non-slum area or out of DRP Area. If the hutment dwellers are found resident in the structure, but the names are on the electoral roll on or prior to 1st Jan 2000, at another slum/pavement site in Brihan Mumbai, they shall be considered eligible but only at the place of present residence. In case of doubt or dispute, the decision of the Competent Authority to be appointed by the Govt in Housing Department shall be final and binding on all the parties concerned.

1.6 An individual agreement shall be entered into by the developer so appointed under DRP by DRP (SRA) with the eligible hutment dwellers of each structure in the slum/pavement.

1.7 The individual agreement entered into between hutment dwellers and the land-owning authority/SRA/developer shall be in the joint names of pramukh hutment dweller and spouse for every structure.

1.8 Hutments having a physically handicapped person or female-headed households shall be given first preference in allotment of tenements to the other hutment-dwellers. Thereafter lots shall be drawn for allotment of tenements from the remaining tenements to the other hutment-dwellers.

1.9 Transfer of Photo passes – Since only the actual occupant at present will be eligible for redevelopment, there shall be no need to regularize the transfers of photo passes that have occurred so far.

1.10 Any person whose name is enrolled in a non-slum area in Brihan Mumbai but has purchased a hutment in DRP area and therefore got his name also included in electoral roll for the slum area, i.e. he has his name in the electoral roll at two places, he shall not be eligible for the scheme.

1.11 'Premium for ownership and terms of lease-. That part of Government/MCGM/MHADA land on which the rehabilitation component of the SRS will be constructed shall be leased to the Co-operative Housing Society of the slum-dwellers for 30 years. Annual lease rent of Rs. 1001 for 4000 per sq. m. of land or part thereof and lease shall be renewable for a further period of 30 years at a time. Simultaneously, land under free sale component shall be leased directly to the Society/Association of the purchasers of the tenement under free sale component. Pending the formation of the Society/Association of the purchasers in the free sale component with a provision for further renewal for a period of 30 years at a time. The lease rent for the free sale component shall be fixed by SRA.

In addition to above, the Developer/Co-op. Housing Society shall pay premium at the rate of 25% of ASR in respect of SRS proposed to be undertaken on lands owned by Government, Semi-Government undertakings and Local Bodies and premium shall go to land owing authority such as MHADA, MCGM, MMRDA as the case may be. The premium installment so recovered shall be remitted to concerned land owing authority within 30 days from the date of recovery.

In the case of Govt. land, the premium shall be deposited in Nivara Nidhi.

The amount of premium shall be recovered in installment as may be prescribed by Govt. from time to time. Land owning authority such as MCGM, MMRDA, MHADA shall not recover land premium in any other form. Proposals for SRS on land owned by Central Govt shall be accepted only after NOC for the scheme is obtained from the concerned Central Govt. Department.

1.12 Automatic cancellation of Vacant Land Tenure – If any land or part of any land on which slum is located is under vacant land tenure the said tenure/lease created by MCGM or Municipal Commissioner shall stand automatically terminated as soon as DRP, which is a public purpose, on such land is prepared and submitted for approval to the DRP cell of SRA. Any arrears of dues to be collected by MCGM shall not be linked to the issue of any certificate or NOC relating to the DRP.

1.13 Recovery of pending dues such as assessment, compensation, occupational charges, non-agricultural tax/dues etc. pending with public authorities such as State Govt, MHADA, and/or MCGM shall be dealt with separately and not be linked to grant of approval or building permission to the DRP.

1.14 In respect of those eligible hutment dwellers on site who do not join the Project willingly the following steps shall be taken:

- i) Provision for all of them shall be made in the renewal/rehabilitation component of the scheme.
- ii) The transit tenement that would be allotted to them would also be indicated along with those who have joined the Project
- iii) If they do not join the scheme within 15 days after the developer informs OSD, DRP (SRA) of the unwillingness of the said dweller, then action under the relevant provisions of the Slum Act, shall be taken and their structures will be removed, and it shall be ensured that no obstruction is caused to the scheme of the majority of persons who have joined the scheme willingly.
- iv) After this action under the foregoing clause is initiated, they will not be eligible for transit tenement along with the others, and they will not be eligible for the reconstructed tenement by lots, but they will still be entitled only to what is available after others have chosen which may be on the same or some other site.
- v) If they do not join till the building permission to the Project is given, they will completely lose the right to any built-up tenement, and their tenement shall be taken over by the SRA and used for the purpose of accommodating pavement dwellers and other slum dwellers who cannot be accommodated in situ etc.
- vi) A pitch of about 3m x 3.5m will be given elsewhere if and when available, and construction therein will have to be done on their own.

1.15 The Managing Committee of the Co-operative Housing Society of hutment dwellers to be formed after allotment of reconstructed tenements shall have women to the extent of one-third of the total strength of actual members on the committee at any time.

1.16 Restriction on Transfer of Tenements: The tenement obtained under this scheme cannot be sold/leased/assigned or transferred in any manner for a period of ten years from the date of allotment/ possession of the tenement. In case of breach of conditions, except transfer to legal heir, the tenement will be taken over by Slum Rehabilitation Authority.

“The concerned land owning authority shall give development rights on their land to DRP (SRA) in lieu of 70% of net premium that is payable by the developers, proportionate to the Rehab Component generated on the said land. In case project to be undertaken by the Public Authority, the premium payable shall be as per decision of Government. Provided that, notwithstanding anything contained above, for the land which are not usable for building construction but have to be vested with DRP/ SRA compensation shall be as decided by the Committee of Secretaries (CoS).”

## **2. Building Permission under Dharavi Redevelopment Project:**

2.1 The proposal for each planning sector of DRP shall be submitted to the DRP cell of SRA with all the necessary documents, no-objection certificates and the plans as may be decided by the SRA from time to time.

2.2 The approval to the Project shall be given by the DRP cell of SRA within a period of 60 days from the date of submission of all relevant documents. In the event of a failure by SRA to do so, the said approval shall be deemed to have been given, provided the Project is in accordance with the provisions of this Regulation.

2.3 For DRP the SRA while giving the approval may lay down terms and conditions as may be necessary.

2.4 DRP (SRA) shall adopt the procedure laid down in the MR&TP Act, 1966 for giving building permission to any development in DRP under this Scheme.

2.5 On compliance with the terms and conditions, the building permission shall be given in accordance with the provisions under Section 45 of the MR&TP Act, 1966 to the sectoral development under DRP, first to the Rehabilitation component and thereafter to the free sale component subject to the provisions in clause below.

2.6 Correlation between Rehabilitation and Free sale components: Building permission for 10 percent of BUA of both the rehab and free sale components may be given simultaneously and thereafter proportionately or as may be decided by the OSD, DRP, and SRA.

2.7 As soon as the approval (Letter of Intent) is given to the Project, the NOC for building permission of the landowning authority shall be given in respect of that lands belonging to any department, undertaking, agency of the State Govt including MHADA, or any local self – Govt such as the MCGM within 60 days after the intimation of such approval to the Project is communicated. In the event of its refusal to grant NOC, reasons thereof shall be stated and in the event of its not been given within the period, it shall be deemed to have been given.

2.8 Occupation certificate shall not be held up only for want of lease documents to be executed in all sectoral developments under DRP taken up on lands belonging to any department, undertaking, agency of the State Govt, including MHADA and any local self-Govt such as the MCGM.

### **3. Rehabilitation and Free Sale Component**

3.1 FSI for rehabilitation of eligible slum/pavement dwellers includes the FSI for the rehab component and for the free sale component. The ratio between the two components shall be as laid down herein below.

3.2 BUA for rehabilitation component shall mean total construction area of rehabilitation component, excluding what is set down in 31(1) of D.C. Regulations, including areas under passages, aaganwadi, health centre/outpost, community hall /gymnasium / fitness centre, skill development centre, women entrepreneurship centre, yuvakendra/ library , balwadis, welfare centers, society office, religious structures, as permitted under Government Home Department Resolution dt. 05/05/2011 and 18/11/2015 other social infrastructure like school, dispensary, Gymnasium run by Public Authority or Charitable trust 5 percent incentive commercial areas for the Co-operative society, and the further 5 percent incentive commercial area for the NGO, Govt./Public Authority/Govt. Company wherever eligible .

3.3 If the rehab component is 10 sq. m of BUA, then an additional 13.33 sq. m of BUA will be permitted and this area of additional 13.33 sq. m can be utilized for disposal in the open market and the rehab component subsidized.

3.4 (a) If the FSI required for rehabilitation of existing hutment dwellers plus free sale component exceeds FSI 4.00 of a particular plot, such excess quantum shall get absorbed while calculating overall FSI of 4.00 on entire DRP Area.

(b) The FSI in CRZ area within DNA, shall be governed by the MOEF notifications issued from time to time.

3.5 The rehabilitation component shall mean all residential tenements as well as non-residential built up premises given free of cost in accordance with the provisions of the DRP outlined in this Regulation excluding what is set down in Regulation 31(1) including anganwadi, health centre /outpost, community hall /gymnasium / fitness centre, skill development centre, women entrepreneurship centre, yuvakendra / library ,existing eligible religious structure, school, dispensary, gymnasium run by Public Authority or Charitable Trust etc. as per provision of 8.1 & 8.2 and additional amenities & facilities to be provided as per regulation no. 7.1 below.

3.6 Minimum Density on the Plot including Non-Residential Units: The minimum density of rehabilitation component on plot shall be 650 tenements per net ha that is, after deducting all reservations actually implemented on site including the land appurtenant thereto, but not deducting the recreational/amenity open space on the remaining area. If the number of tenements to be provided to the hutment dwellers is less than the minimum, the balance shall be handed over free of cost to the SRA, the Authority shall use them for the purpose of transit or Project affected persons or pavement dwellers or slum dwellers from other slums.

3.7 All non-residential BUA shall be included in the computation of minimum density and on the scale of 27.88 sq. m. of carpet area being one tenement. The calculation of FSI for all purposes shall be on gross area, that is, without deducting any percentage for recreational/amenity open space. This shall not affect the requirement of keeping aside the said recreational/amenity open space physically on site, subject to the provisions in this Regulation in that regard.

3.8 Amalgamation/Subdivision of Plots and Balancing of FSI thereon: Any land declared as DRP Area or on which DRP has been sanctioned, if it is spread on part or parts of C.S. Nos. or CTS Nos. or S. Nos. or F.P. No shall be treated as natural amalgamation/subdivisions/ of that C.S or CTS or S. No. or F.P. No. for which no separate approval for amalgamation/subdivision of land would be necessary.

3.9 Boundaries and the measurement of plot areas of the DRP Area shall be declared by the competent authority after actual measurement of plot area on site and the same shall be adopted for planning purpose for calculation of density and floor space index.

3.10 The OSD, DRP(SRA) may if required, adjust the boundary of the plot declared as DRP Area so as to suit the building design and provide proper access to the Project/any other plot/s located within Sector/s.

3.11 After approval is given to the DRP, the area may be further subdivided if necessary to earmark separate plots for the rehab component, amenity plot and the free sale component. The Plot area and the BUA in terms of square meters on the said plot shall be separately mentioned in the lease agreements and Record of Rights.

3.12 The Settlement Commissioner, Maharashtra State on payment of such fees as may be decided by the Govt ensure that the City Survey sheet and property cards are corrected accordingly and fresh property cards are opened for each of the plots giving details regarding the area of the plots and the total area of the floors of the built-up property and TDR given that is, the FSI used on that plot.

#### **4. Temporary Transit Camps:**

4.1 The temporary transit camp/transit accommodation shall be provided within DNA or nearby lands with prior approval of DRP(SRA) and if need be on the area of statutory open space to be left in accordance with Regulation No. 27 on the plot.

Temporary transit accommodation shall be provided within DNA. If it falls on the area of amenity open space excluding D P road/open space reservation in accordance with the procedure laid down under this Regulation.

4.2 On the slum site itself approved for rehabilitation, multi-storeyed temporary transit tenement may be allowed to be constructed.

4.3 The area of temporary transit tenements shall be excluded from the computation of FSI, but the safety of the structure shall be ensured.

4.4 Such building permission shall be given within 15 days from the date of application of the appointed developer of a sector, by OSD, DRP(SRA) failing which it shall be deemed to be given.

4.5 On any vacant site without any reservation in the DP Excluding construction of temporary transit tenements made of light material with the consent of the land-owners or concerned govt authority shall be allowed upto the FSI of 4.0 Temporary shall mean made of detachable material such as tubular/prefabricated light structural or any other materials approved by OSD, DRP (SRA) but such structures which are erected temporarily.

4.6 In all such cases where the temporary transit camp is erected, the condition shall be that the structures shall be demolished by the Developer within 30 days after such intimation given by SRA and as per phase programme of development as approved by DRP Cell and the site should be brought back to the original state.

### 5. Commercial/Office/Shop/Industrial Structures/Structures for Potters Business Activity Free of Cost:

5.1 The eligible existing area under commercial/office/shops/industrial establishments/structures for potters business activity shall be computed on actual measurement/inspection, and/or on the basis of official documents such as License under Shops and Establishment Act, Trade License, Factory License, Electricity bills and Photo pass etc.

5.2 In the rehabilitation component, the BUA for commercial/office/shop/Industrial establishments/potters structures/economic activity that existed prior to 1<sup>st</sup> January, 2000, subject to the provisions in the sub-regulation below, shall be given. Where a person has residential and commercial premises without common wall between residential and commercial premises, for commercial/office/shop/structures for potter's economic activity in the slum/pavement, he shall be considered as eligible for a residential unit and also for BUA for commercial/office/shop/Industrial establishments/structures for potter's/economic activity, both free of cost.

#### 5.3(a) Commercial & Industrial Structures:

BUA for Commercial and Industrial establishment upto 20.90 sq. m (225 sq. ft.) carpet area or actual area whichever is less, shall be provided to the eligible person free of cost as part of the rehabilitation project. Any area in excess of 20.90 sq. m may, if required, be sold to the extent of area in the following manner:

Existing Carpet Area in the range of ... (in sq. ft.)	Carpet Area to be provided (in sq. ft.)			
	At free of cost, as a part of Rehab component	With Cost But not as part of incentive sale area		
		With 10% Reduction	With 20% Reduction	With 30% Reduction
225 to 250	225	Nil	Nil	Nil
251 to 1000	225	251 to 1000	Nil	Nil
1001 to 1500	225	251 to 1000	1001 to 1500	Nil
1501 and above	225	251 to 1000	1001 to 1500	1501 and above

However, only non-polluting and non-hazardous industry can be allowed to be re-accommodated under this scheme. The rehab area in excess of 20.90 sq. m. (225 sq. ft.) will be at construction cost to be determined by OSD, DRP (SRA) and the said cost to be paid by the hutment dweller to the developer.



**(b) Structures of Potters' Business Activity:**

BUA Structures of Potters' Business Activity up to 20.90 sq. m (225 sq. ft.) carpet area or actual area whichever is less, shall be provided to the eligible person free of cost as part of the rehabilitation project. Any area in excess of 20.90 sq. m may, if required, be sold to the extent of area in the following manner.

Existing Carpet Area in the range of ... (in sq. ft.)	Carpet Area to be provided (in sq. ft.)			
	At free of cost, as a part of Rehab component	With Cost		
		But not as part of incentive sale area		
		With 10% Reduction	With 20% Reduction	With 30% reduction
225 to 250	225	Nil	Nil	Nil
251 to 1000	225	251 to 1000	Nil	Nil
1001 to 1500	225	251 to 1000	1001 to 1500	Nil
1501 and above	225	251 to 1000	1001 to 1500	1501 and above

The rehab area in excess of 20.90 sq. m (225 sq. ft.) will be at construction cost to be determined by OSD, DRP/SRA and the said cost to be paid by the hutment dweller to the developer.

5.4 Such area may be allowed on any side of the plot abutting at least 6.0 m wide pathway and deriving access from at least 6.0 m wide pathway/open space. Back-to-back shopping on ground floor shall also be allowed for the purpose of rehabilitation. After exhausting these provisions, it may be allowed on the first floor to the extent necessary.

5.5 **Non-Conforming Activities:** All activities which previously existed shall be allowed to be relocated regardless of the non-conforming nature of the activities, except those which are hazardous and highly polluting and except in cases where the alternative accommodation has already been allotted elsewhere by the MCGM.

**5.6 Non-Residential User in Free Sale Component:**

Non-Residential User as permissible in R and C zones as per DCR 34 shall be allowed in Free Sale Components.

**6. RELAXATION IN BUILDING AND OTHER REQUIREMENTS:**

6.1 A Residential rehab/renewal tenement shall essentially have a separate living room, kitchen, bedroom, water closet unit, bathroom along with enclosed balcony merged in carpet area of the tenement

6.2 There shall be no restriction on zone and balcony shall not reduce marginal open space to less than 2.0 m for calculating of area of 27.88 sq. m and 37.16 sq. m size of rehab tenements, the area of the balcony shall be included.

6.3 Notwithstanding anything contained in these Regulations, common passages to be provided in the Rehab Component to give accesses to Residential tenements and Commercial/Industrial units shall not be less than 2.0 m in width. If podium is proposed, the corridors formed under the podium up to 12.00 m in width to be used as passage for Rehab & Renewal Commercial/Industrial units & Amenities, shall not be counted towards FSI even while computing 4.00 FSI on site. The areas under

such common passages not exceeding 2.00 m in width and up to 12.00 m width shall form part of Rehab Component and it is on this basis the free sale component will be calculated.

6.4 Corridors formed under the podium up to 12.00 m in width giving access to the sale commercial component shall also be considered free of FSI.

6.5 Front and marginal open spaces for building having height upto 32m in the rehab component or composite building for the ground + 1 podium to be proposed to accommodate rehab commercial/industrial units as well as sale commercial areas in composite structures, the front and marginal open space shall be at least 3.0 m for these buildings.

6.6 Notwithstanding the provisions of Regulation No. 41 Table No 18 where the location of the plot abuts DP Road, having width of 18.3 m and above, the front marginal open space shall be at least 3.00 m provided it is not an express highway or road wider than 52 m

6.7 Where the location of the plot abuts a nallah, the marginal open space along the nallah shall not be insisted upon beyond 6 m from the edge of the trained nallah.

6.8 The distance between any two rehab/composite buildings shall not be less than 6 m for the height up to 32 m and for the building with height more than 32 m the open spaces shall be as per Regulation No 41(5).

6.9 A composite building shall contain at least 40 percent of the built-up area as rehabilitation components.

6.10 Wherever more than the minimum front and marginal spaces have been provided, such additional area provided may be considered as part of the AOS in the project comprising both rehabilitation and free sale components, and without charging any premium in relaxation of the stipulations in DCR No.27, wherever necessary.

6.11 The pathway shall act as access wherever necessary. The building shall be permitted to touch pathways.

6.12 The means of access shall be normally governed by the provisions of Regulation No. 23. However, in the project, wherever the design of the buildings in the same land requires relaxation, it may be given. Access through existing pathways including the roads maintained under Section 63K of the MMC Act, 1888 but not less than 3.6 m in width, shall be considered adequate for any slum rehabilitation project, containing buildings having height up to 32 m including stilts.

6.13 Even if the AOS is reduced to make the planning of the rehab sub-plot viable, a minimum of 15 percent of amenity open space shall be maintained.

6.14 Premium shall not be charged for exclusion of staircase and lift-well etc. as covered under the provisions of DCR 31(1).

6.15 All relaxations outlined hereinabove shall be given to the rehabilitation component, and also to the composite buildings in the project. Premium shall not be charged for all or any of the relaxations given herein above, or for any other mentioned in DCR 31(1). Provided that further relaxation in open spaces if any is considered, then the same shall be subject to compliance of CFO requirement and recovery of premium at the rate 2.5% of Annual Schedule of Rate.

6.16 Relaxations for the free sale component – Relaxation contained in sub-regulation No.6.6, 6.7, 6.11, 6.12, 6.13 above, other necessary relaxation shall be given to the free sale components for deficient area on payment of premium at the 2.5% rate of ASR for open land (for FSI 1) or 10% of normal premium whichever is more.

6.17 In order to make the Slum Rehabilitation Scheme viable, the OSD, DRP shall be competent to make any relaxation wherever necessary for reasons to be recorded in writing by charging 2.5% rate of ASR of open land (for FSI 1.) or 10% of normal premium whichever is more.

#### **7. SLUMS AND DEVELOPMENT PLAN RESERVATIONS:**

7.1 Reservations in the DP shall be developed to the fullest extent. Additional amenities and facilities shall be provided as per the quantum shown in Annexure – 'A' to this Regulation. Relocation of reservations within sector if so required to overcome the sector planning constraint shall be permitted with the special permission of CEO/OSD(DRP) of SRA.

Area of amenities and facilities to be provided as per Annexure-A shall be inclusive of reservations in sanctioned DP. Types of reservations and area of reservations shall in no case be reduced

7.2 Slums/Structures under renewal situated in lands falling under residential(R), commercial(C), industrial (I) zones which are not affected by any other allocations/designations/reservations in the final DP& may be developed subject to the following:

(i) (a) Lands in residential (R) and commercial (C) zones occupied by existing slums/structures under renewal be allowed to be developed in accordance with the provisions contained in this Regulation.

(b) Lands in industrial zones (I)/Industrial estate may be allowed to be converted into residential users in accordance with Regulation No 14(B). Such lands occupied by existing slums/structures under renewal may further be allowed to be developed in accordance with the provisions contained in this Regulation.

(ii) Lands in industrial zone (I) occupied by existing slums/structures under renewal shall be allowed to be developed in accordance with the provisions contained in this sub-regulation 33(10) (A) and 33 (9) (A).

(iii) As a special case for DRP nonresidential activities to be developed as described under clause no.5.3 and 5.6 of this Regulation& clause no. 4 & 7 Regulation No 33 (9) (A) shall be allowed to be developed without going through the process of the change of zone.

7.3 Slums/structures under renewal situated on lands reserved/designated/allotted for existing or proposed non-buildable reservations such as playground, garden, park and any other open users in the Final DP occupied by existing slums/structures under renewal shall be shifted within the same planning sector in which such plots belongs/vests and sites occupied by them shall be cleared for the implementation of DRP in which such quantum of designated/allotted for existing or proposed non-buildable reservation shall be fully subsumed in the additional amenities & facilities to be provided under DRP as in clause no. 7.1 above as per the specifications of DRP (SRA) or the concerned Govt. authority and shall be handed over free of cost and charge to the DRP (SRA) or the concerned Govt. authority. The land area under such reservation shall be allowed to be included in the project plot area to be considered for FSI purpose.

7.4.(a) Slums/structures under renewal situated on lands reserved/designated/allotted for existing or proposed buildable Public reservations in the Final DP such as Municipal/Private primary or secondary schools, Municipal dispensary, Municipal hospitals, Maternity home, Municipal chowky, Fire brigade, Sewage treatment plant, Pump house, Municipal retail market shall be shifted within the same planning sector in which such plots belong/vest and sites occupied by them shall be cleared for the implementation of DRP in which such quantum of designated/allotted for existing or proposed buildable reservation shall be fully subsumed in the additional amenities & facilities to be provided under DRP as in clause no. 7.1 above as per the specifications of DRP/SRA or the concerned Govt. authority to whom this developed amenity is to be handed over. This developed buildable

amenity shall be handed over free of cost & charge to the DRP/SRA or the concerned Govt. authority. The BUA of such amenity shall be excluded for the purpose of FSI. Thereafter the full permissible FSI of the plot according to this Regulation shall be allowed to be included in the project plot area to be considered for FSI purpose.

7.4 (b) For other buildable reservations on lands under slum which are not covered under clause no. 7.4(a) above, BUA equal to 25 percent of the area under that reservation in that plot shall be demanded free of cost by the SRA for MCGM or any other appropriate Authority. The BUA of such amenity shall be excluded for the purpose of FSI computation. Thereafter the development for DRA be allowed as per the full permissible FSI of the entire plot according to regulation 33(10) (A) read with this Regulation and subject to provisions in clause No. 7.1

7.5 Where DP road/Proposed road passes through DRP area, the entire 100 percent FSI of the road may be given in the same site, on the remainder of the plot.

7.6 Development of Slum Plots under DCR 33(10) (A) and Urban Renewal plots under DCR 33(9) (A) in a planning sector may be allowed to be developed together in order to promote flexibility of design as well as to raise more resources. The power under Regulation 13(6) for shifting and/or interchanging the purpose of designations/reservations shall be exercised by the OSD, DRP (SRA) in respect of DNA as a SPA.

7.7 In case of DRP adjoining railway tracks, a boundary wall of minimum, 2.4 m in height shall be constructed.

7.8 Slums/structures under renewal on lands designated or reserved for purpose of Rehabilitation and Resettlement shall be treated as sites for slum redevelopment and redevelopment to be allowed according to this Regulation.

7.9 Existing slums occupying lands/structures under renewal in dangerous locations such as marshy lands, near water bodies, lands abutting railway tracks/in railway lands, NDZ and sites immediately required for the public and semi-public projects may be relocated at other suitable locations within the planning sectors and may be allowed to be developed in accordance with this Regulation.

#### **8. Aaganwadi, Health Centre / Outpost, Community Hall /Gymnasium / Fitness Centre, Skill Development Centre, Women Entrepreneurship Centre, Yuva Kendra / Library, Society Office, and Religious Structures:**

8.1 There shall be Balwadi, Welfare hall and any of two amenities mentioned above. There shall be health Centre/ outpost, Aaganwadi, skill development centre, women entrepreneurship centre, yuvakendra / library of size 25 sq. m for every multiple of or part of 250 hutment dwellers. In case of misuse, it shall be taken over by the DRP(SRA) which will be competent to allot the same to some other organization /institution for public use. Balwadi shall also be provided for on a similar scale. An office for the Co-operative housing society shall be also constructed for every 100 rehab tenements in accordance with D.C. Regulation No. 37(9). However, if the number of rehab tenements exceeds 100 then for every 100 rehab tenements such additional society office shall be constructed. There shall be a community hall for rehab bldg. of the Project as a part of the rehabilitation component. The area of such hall shall be 2% of rehab built up area of all the buildings or 200 sq. m whichever is less.

Religious structures existing prior to redevelopment, if allowed in accordance with the guidelines issued by Govt. from time to time as part of redevelopment shall not exceed the area that existed prior to redevelopment. Other social infrastructure like School, Dispensary and Gymnasium run by

Public Authority or Charitable Trust that existed prior to the redevelopment shall be allowed without increase in existing area.

However, it is provided that in the DRP of less than 250 hutments, there shall be Balwadi, Welfare hall and any of two amenities mentioned above, as decided by co-operative housing society of slum dwellers, of size of 25 sq.mt and office for the Co-operative housing society in accordance with D.C. Regulations No. 37(9). OSD, DRP(SRA) may permit accumulation of the amenities mentioned above but ensure that it shall serve equitably to the rehab area.

All the areas underlying Aaganwadi, health centre / outpost, community hall/gymnasium / fitness centre, skill development centre, women entrepreneurship centre, yuvakendra / library community hall/s, society office, balwadi/s, religious structure/s, social infrastructure like School, Dispensary, Gymnasium run by Public Authority or Charitable Trust, the commercial areas given by way of incentives to the co-operative society and the nongovernmental organisation shall be free of cost and shall form part of rehabilitation component and it is on this basis the free-sale component will be computed.

These provisions shall apply to construction of transit camps under DC Regulations 33(11) also.

Aaganwadi, health centre / outpost, community hall /gymnasium / fitness centre, skill development centre, women entrepreneurship centre, yuvakendra / library, society office, Balwadi/s, and religious structures, social infrastructure like School, Dispensary and Gymnasium run by Public Authority or Charitable Trust in the rehab component shall not be counted towards the FSI even while computing permissible FSI on site.

#### **9. PAYMENTS TO BE MADE TO SRA AND INSTALMENTS:**

9.1 An amount of Rs.40000/- or such an amount as may be decided by the Govt from time to time per tenement/unit will have to be deposited by the developer with DRP as a corpus fund for utilization by the co-operative housing society of the rehab residents for the purpose of maintenance, in accordance with the time-schedule for such payment as may be laid down by OSD, DRP (SRA). However, by the time of completion of construction for occupation of tenements by the hutment dwellers, the total amount at the rate of Rs 40000 per tenement completed should have been deposited in full. The building permission for the last 25 percent of the free sale component would be given only after the entire required amount is deposited in full with DRP (SRA).

9.2 An amount at the rate of Rs. 840 per sq. m for BUA or such an amount as may be decided by Govt from time to time shall be paid by the Developer for the BUA over and above the normally permissible FSI, for the rehabilitation and free sale components. This amount shall be paid to the SRA in accordance with the time schedule for such payment as may be laid down by the OSD, DRP of SRA, provided the installments shall not exceed beyond the completion of construction. These infrastructural charges shall be in addition to development charges levied as per section 124 of MR&TP Act 1966.

Provided that amount so recovered as Infrastructural Charges, will remain with DRP (SRA) and same shall be use for schemes to be prepared for improvement of infrastructure within Dharavi Redevelopment Project Areas.

9.3 The part of land premium to be made available to the land-owning authority as per rates to be decided by GoM shall be exclusively used for schemes to be prepared for the improvement of infrastructural developments in the benefit of DRP.

## ANNEXTURE –“A”

10. amenities and facilities to be provided under DRP to be read with clause 7.1 of Regulation no. 33 (10) (A):

Sr. No.	Description of the Amenity	Legends	Units	amenities & facilities to be provided under DRP					
				Sector I	Sector II	Sector III	Sector IV	Sector V	Total I to V
<b>Buildable Amenities for which Sale Incentive is available.</b>									
1	Primary School	-	sq. m	9066.97	16433.89	13600.46	12467.09	5100.17	<b>56668.58</b>
2	Secondary School	-	sq. m	6066.97	16433.89	12650.55	11517.18	10000.00 (with colleges) <sup>2</sup>	<b>56668.58</b>
3	Dispensary / Maternity Homes / Polyclinics	-	sq. m	6272.00	11368.00	9408.00	8624.00	3528.00	<b>39200.00</b>
4	Welfare Centres + Gysm + Community Hall	-	sq. m	200.00	200.00	200.00	200.00	200.00	<b>1000.00</b>
5	Library	-	sq. m	200.00	200.00	200.00	200.00	200.00	<b>1000.00</b>
6	Fire Station	-	sq. m	0.00	0.00	0.00	3990.00	0.00	<b>3990.00</b>
7	Post Office	-	sq. m	665.00	0.00	0.00	665.00	0.00	<b>1330.00</b>
8	Police Station	-	sq. m	1995.00	1995.00	0.00	0.00	0.00	<b>3990.00</b>
9	Retail Market	-	sq. m	2511.04	4551.26	3766.56	3452.68	1412.46	<b>15694.00</b>
10	Police Chowky	-	sq. m	140.00	140.00	140.00	140.00	140.00	<b>700.00</b>
11	Potters Institute (common work space)	-	sq. m	0.00	2230.00	0.00	0.00	0.00	<b>2230.00</b>
	<b>Total</b>			<b>27116.99</b>	<b>53552.04</b>	<b>39965.57</b>	<b>41255.95</b>	<b>20580.64</b>	<b>182471.17</b>
<b>Total Land Area of Buildable Amenities not to be constructed by the developers.</b>									
12	Best Bus Station	RT1.4	Ha	0.00	0.00	0.06	0.00	0.00	<b>0.06</b>
13	Tata Receiving Station	-	ha	0.00	1.30	0.00	0.00	0.00	<b>1.30</b>
14	Pumping station	-	Ha	0.00	0.00	0.37	0.00	0.00	<b>0.37</b>

Sr. No.	Description of the Amenity	Legends	Units	amenities & facilities to be provided under DRP					
				Sector I	Sector II	Sector III	Sector IV	Sector V	Total I to V
15	ITI (Other Education)	RE3.1	Ha	0.00		0.30	0.00	0.00	0.30
	<b>Total</b>			<b>0.00</b>	<b>1.30</b>	<b>0.73</b>	<b>0.00</b>	<b>0.00</b>	<b>2.03</b>
<b>Total Land Area of Un-Buildable Amenities</b>									
16	Parking Lot	RT1.6	ha	0.00	0.00	0.00	0.00	1.28	1.28
17	Public Open Spaces (can be mixed user / part of layout)	-	ha	1.58	0.00	1.58	1.58	1.58	6.32
18	Layout RG that would be provided in sale and rehab areas to be multi used	-	ha	0.77	1.39	1.15	1.06	0.43	4.81
19	Play Ground attached to schools (mixed use / part of layout)	-	Ha	0.40	0.73	0.60	0.55	0.23	2.50
20	Mahim Nature Park Extension (1.33 ha), Afforestation (0.83 ha) and RG below HTL (1.04 ha)	-	Ha	0.00	0.00	0.00	0.00	3.20	3.2
21	Potters Institute (common open space)	-	Ha	0.00	0.22	0.00	0.00	0.00	0.22
22	Land to be given to TATA Power Electric Co.	-	Ha	0.00	0.40	0.00	0.00	0.00	0.40
	<b>Total</b>			<b>2.75</b>	<b>2.74</b>	<b>3.33</b>	<b>3.19</b>	<b>6.72</b>	<b>18.73</b>
<b>Note</b>	<p>All the additional amenities and facilities to be provided within DRA are deemed to be treated as DP Proposals.</p> <p>All proposed roads having width of 12 m &amp; above are deemed to be treated as DP Proposals.</p> <p>The SRA may add, alter or amend category and quantum of additional amenities and facilities to be provided within DNA with the approval of GoM.</p>								

**Note:**

The provisions of the DC Rules for Greater Mumbai, and all other applicable sections of the MA & TP Act, 1966, shall apply *mutatis mutandis* to the development of land with the modification that the

expressions "MCGM" and "Municipal Commissioner" shall be substituted by the expressions "SRA" and "OSD, DRP (SRA)" respectively.

**33(11) Provisions relating to Permanent Transit Camp tenements for Slum Rehabilitation Scheme:**

Total FSI on plot area may be allowed to be exceeded up to 4 for construction of Transit Camp tenements for SRA.

(A) The FSI & distribution of additional FSI for the construction of Transit Camp Tenements shall be as shown below:

Location	Minimum Road Width	Total permissible FSI	Zonal FSI	Additional FSI	% FSI for Transit tenements for SRA/ of total additional FSI	% FSI for sale component of total additional FSI
1	2	3	4	5	6	7
Island City	12m	Up to 3.0	1.33	Up to 1.67	63%	37%
	18m	Up to 4.0	1.33	Up to 2.67		
Suburbs & Extended Suburbs	12m	Up to 3.0	1.00	Up to 2.0	50%	50%
	18m	Up to 4.0	1.00	Up to 3.00		

On the plot area excluding area to be handed over to MCGM/Appropriate Authority in lieu of Reservation/ Existing amenity in the DP/ proposed DP roads/prescribed RL under MMC Act .

(B) Such Schemes shall not be permissible on lands reserved/existing amenity in the DP & in SDZ/GZ.

(C) Transit tenements for SRA out of additional FSI could be used for construction of Transit Camp of tenements having carpet area of 27.88 sq. m (300 sq. ft.). Ground floor shall be used for commercial tenements having carpet area of 20.90 sq. m (225 sq. ft.) for project affected commercial tenements & same shall be handed over free of cost to SRA. Alternatively, residential tenements can be used for Govt. Staff Quarters etc.

For the purpose of this regulation BUA shall be as clause 3.2 of Regulation 33(10)

(D) Provision of Aaganwadi, Health Centre / Outpost, Community Hall /Gymnasium / Fitness Centre, Skill Development Centre, Women Entrepreneurship Centre, Yuva Kendra / Library, Society Office, Balwadi, shall be as per sub-regulation 8 of regulation 33(10) to these transit camps 25% of Zonal(basic) FSI shall be exclusively used for the purpose of shops along layout road for use of residential occupants of layout.

(E) Additional FSI over & above Zonal (basic) FSI may be released in co-relation to the BUA of the tenements that are required to be handed over free of cost to SRA/ MCGM as the case may be. Alternatively, TDR in lieu of unconsumed sale component of additional FSI, as per this Regulation,



may be permitted for Permanent Transit Camp (PTC) for which SRA will be the Planning Authority for the purpose of this regulation, BUA of PTC tenements shall be calculated as per clause 3.2 of regulation 33(10).

(F) Only after the Transit Camps are handed over free of cost to the SRA, the Occupation Certificate, water connection, power connection etc. for the other portion shall be given by the Appropriate Authority.

(G) This provision shall not apply to the plots wherein permissible Zonal F.S.I. is less than 1.00.

The entire Permanent Transit Camp components including Base FSI may be categorized as permanent transit camp component as applicable and the corresponding sale components from the additional FSI amongst two or more schemes under this regulation can be permitted to be interchanged. A developer / developers making an application under this regulation may club more than one plot belonging to single or multiple owners and offer permanent transit component on a single plot while shifting sale component as well as base FSI of the plot to other plots provided all right holders of these plots agree and make a joint application. However, clubbing shall be allowed only if it leads to an independent plot / building / wing as the case may be with permanent transit camp component being handed over to Planning Authority.

The developer shall have to pay as an unearned income equal to 40% of difference of sale value of shifted built up area of Permanent Transit Camp component as per ASR. Such clubbing can be allowed for the schemes falling in same ward or adjoining ward or within the distance of 5 km.

The premium shall be paid to the Planning Authority in two stages 50% at the time IOA and 50% at the time of issuing C.C. for the incentive FSI. or the developer has to surrender equivalent sale FSI in form of constructed BUA to the extent of premium in the scheme to be valued at ASR rate of sale in the year of such surrender of built up area.

(H) Notwithstanding anything contained in these regulations for Permanent Transit Camp (PTC) tenements car parking at the rate mentioned in Regulation 44 Table-21 shall be provided or one parking space per tenement for two-wheeler shall be provided. The above parking spaces may be provided in any combination.

**Note:** Out of the total premium amount collected under these Regulation, 2/3 shall be kept in a separate account to be utilized as shelter fund for the State of Maharashtra and 1/3 shall be deposited at the Office of the Deputy Director of Town Planning, Greater Mumbai.

**33(12). Redevelopment of contravening structures included in the Final Plot of a Town Planning (TP) Scheme and Removal and re-accommodation of tolerated structures falling in the alignment of road:**

***(A) Redevelopment of contravening structures included in the Final Plot of a TP Scheme.***

For the redevelopment/reconstruction of contravening structures situated in TP Schemes, additional FSI over and above permissible FSI prescribed under these Regulations shall be admissible as under:

a. In the redevelopment scheme the number of tenants as recorded in the TP Scheme Book and residing in the contravening structures shall be accommodated by giving alternative accommodation in the redevelopment schemes in the same scheme or in the same administrative ward having carpet area of 27.88 sq. m (300 Sq. ft.) each, irrespective of their original holding provided the overall FSI consumption of the Final Plot shall not exceed 4.0.

b. The Commercial users may be permitted in the redevelopment scheme to accommodate the existing commercial tenants, provided the commercial area in the redevelopment scheme shall not exceed the original commercial area.

c. The tenants not listed in the records of TP Scheme but residing in contravening structure or such structures which have come up after TP Scheme is finalized, but are existing on date as notified by the GoM from time to time and where structures and inhabitants names are appeared in the Legislative Assembly Voter's List of year as notified by the GoM from time to time shall also be eligible for being included in the Redevelopment Scheme. Such tenants shall also be granted accommodation at the rate of 27.88 sq sq. m. in case of residential/residential cum commercial occupants and in case of commercial occupants, existing area or 20.90 sq. m, whichever is less provided the total FSI of the plot does not exceed 4.0.

d. BUA equivalent to the area held by the tenant or 27.88 sq. m whichever is less shall be handed over free of cost to the respective tenant by the Developer/Owner, while for the balance BUA, an amount as may be mutually agreed to between tenant and Owner/Developer shall be paid by the tenant. Condition to this effect shall be prescribed by the MCGM while approving redevelopment proposal.

e. For the purpose of this redevelopment scheme, the owner/ developer shall get further additional FSI to the extent of 50% of the area of the structures covered under Sr. No. (a),(b),(c)&(d) above provided further that the overall FSI of the Final Plot shall not exceed 4.0.

f. The Fungible compensatory area shall be permissible for rehab component for the tenants as recorded in the TP Scheme Book and residing in the contravening structures without charging premium and to the incentive BUA by charging premium

Notes: For the purpose of this Regulations the contravening structures shall mean:

- i. Structure situated outside the original plot but included fully or partly within the final plot allotted to a person in the TP Scheme.
- ii. Structures which are partly included in the final plot allotted to a person and partly included in the roads sites reserved for public purpose/adjoining final plot.
- iii. Structures which are included in the TP Scheme area but situated outside the final plot allotted to a person and are affected by sites reserved for public purpose, provided the Planning Authority has no objection for rehabilitation of such structures.
- iv. However, structures included in the common area comprising of original plots and final plots shall not be treated as contravening structures.

**(B) Removal and re-accommodation of tolerated /protected structures falling in the alignment of road: -**

In a scheme where removal of tolerated/protected structures falling in the alignment of existing road or widening of existing road for which road line has been prescribed or DP Road and re-accommodation of these tolerated/protected structures in the same administrative ward has been proposed for the expeditious removal of bottlenecks, the FSI may be allowed to be exceeded above the permissible FSI as mentioned below subject to following condition:

- a) The tolerated residential structures shall be existing since prior to 17.04.1964 and non-residential structure shall be existing since prior to 01.04.1962 falling in the alignment of existing road or widening of existing road for which road line has been prescribed or DP Road.
- b) The structures shall be reflected in the true extract of Revenue Record prior to 1961-62 or in the assessment records prior to datum line as mentioned (a) above.
- c) The scheme plot and the tolerated structures as mentioned above falling in the alignment of the road shall be relocated in the same administrative ward.

- d) The provisions of this Regulation shall not be applicable to the structures where development of plot, where such tolerated/protected structures are situated, is proposed to be undertaken or in progress.
- e) It shall be responsibility of the scheme owner/developer who wishes to seek benefit under this Regulation to execute tri party registered agreement with the owner of the plot where such tolerated/protected structures are situated and with the occupiers of such structures in respect of removal of structures falling on road and the copy of the same shall be submitted to MCGM.
- f) The owner/developer will have to submit the advance possession receipt to MCGM for handing over of such plot affected by road line/DP road having built up structures as detailed above to MCGM.
- g) The owner of the plot shall be eligible for TDR as per Zonal (basic) FSI of the plot in lieu of handing over of the land affected by road. TDR for such land shall be issued only when ownership of land has been transferred in PR card in the name of MCGM.
- h) The existence of the structure on site, carpet area of the structures and occupancy of the eligible occupants in case of non-cess structures shall be certified as detailed above by the Assistant Commissioner of respective ward and by MHADA in case of cessed structures.
- i) In case of such area is occupied by cessed structures and affected by road widening/DP Road, NOC from MHADA shall be insisted.
- j) The eligible residential/residential cum commercial tenant/occupants of tolerated structures shall be entitled for the minimum carpet area of 27.88 sq. m or the area equivalent to existing carpet area and in case of non-residential tenant/occupants, area equal to existing carpet area shall be allotted.
- k) The owner of scheme shall be eligible for the BUA required for rehabilitation of existing tenants/occupants plus incentive BUA to the extent of 50% of BUA required for rehabilitation. However, the FSI on plot/layout shall not be allowed to be exceeded up to 4.0.
- l) If the part of the structures is falling in alignment of roads, then such occupants shall, be eligible for the benefit as above. However, TDR equivalent to Zonal (basic) FSI of the land so handed over will be eligible.
- m) The owner shall be eligible for the commencement certificate for the incentive BUA only after rehabilitation of occupants of affected tolerated structure /removal of structures falling in the alignment of road line/DP Road.
- n) The fungible compensatory area shall be permissible for rehab without charging premium and to the incentive BUA by charging premium.
- o) The protected structures falling in the alignment of Road/DP road as notified by government from time to time and as certified by competent authority shall also be eligible for the rehabilitation as per this regulation subject to condition that rehabilitation area shall be 27.88 sq. m in case of residential/residential cum commercial occupants and in case of commercial occupants, existing area or 20.90 sq. m, whichever is less.

### **33(13) – Buildings of Information Technology Establishments**

With the Special permission, the Commissioner may permit the floor space indices to be exceeded beyond Zonal (basic) FSI specified in this Regulation No. 30 Table No. 12 as given in the following table, to all registered Public & Private IT/ITES Parks/ AVGC Parks/IT SEZs or IT Parks in SEZs/Stand-

alone IT/ITES units in public IT Park (including IT/ITES units located in Residential/commercial/Industrial in which such users are permissible), which have been approved by the Directorate of Industries, proposed to be set up or already set up under present/ previous IT/ITES policies by charging premium as per the conditions specified below this table.

Sr No	Minimum Road Width	Maximum Permissible FSI
1	12m	Up to 3
2	18m	Up to 4
3	27m	Up to 5

On the plot area excluding area to be handed over to MCGM/Appropriate Authority in lieu of Reservation/ Existing amenity in the DP/ proposed DP roads/prescribed RL under MMC Act.

The grant of additional FSI as stated above shall be subject to following conditions.

- a) The additional FSI shall be granted beyond permissible FSI as per regulation 30(A)(1) upon the payment of premium. Such premium shall be recovered for the BUA at the rate of 50% of ASR for open develop land (for FSI 1)
- b) The premium so collected shall be shared between the Planning Authority and the Government in the proportion of 50:50. The share of the Government shall be paid to the Deputy Director of Town Planning, Greater Mumbai.

(Explanation: - Premium charges shall be calculated on the value of lands under such zones, determined by considering the land rates of the said land as prescribed in Annual Statement of Rates (ASR). These charges shall be paid at the time of permitting additional F.S.I. by considering the ASR for the relevant year without applying the guidelines)

- c) Maximum 20% of total proposed Built-up area (excluding parking area) inclusive of such additional F.S.I. may be permitted for support services as defined in IT/ITES Policy 2015, in IT Parks and remaining built-up area shall be utilized for IT/ITES.
- d) Maximum 40% of total proposed Built-up area (excluding parking area) inclusive of such additional F.S.I. may be permitted for support services in IT Parks in Municipal Corporations which are not covered under Serial No. c) above and remaining built-up area shall be utilized for IT/ITES.
- e) New said unit shall allocate at least 2% of the total proposed built-up area, for providing incubation facilities for new units. This area would be treated as a part of the Park to be used for IT activities and eligible for additional FSI benefits accordingly.
- f) Premium to be received by the Planning Authority as per provisions in this regulation shall be deposited in a separate fund viz. "Critical Infrastructure Fund for IT/ITES Industries" and this fund shall be utilized only for creation of Critical Infrastructure for IT/ITES Industries:

Provided that in the event, the developer come forward for providing such off site infrastructure at his own cost, instead of paying premium as prescribed above, then the Planning Authority may determine the estimated cost of the work by using rates prescribed in District Schedule of Rates (DSR) of the relevant year, in which order for commencement of such work is issued. The Planning Authority shall also prescribe the standards for the work. After completion of the works, the Planning Authority shall verify and satisfy itself that the same is developed as per prescribed standards and thereafter, by deducting the cost of works, the balance amount of premium shall be recovered from such developer before issuing Occupancy Certificate.

Provided that, in case the cost of work is more than the premium to be recovered, such additional cost to be borne by such developer.

- g) Permission for erecting towers and antenna upto height permitted by the Civil Aviation Department shall be granted by the Commissioner as per the procedure followed for development permission or otherwise as may be decided by the Government.
- h) While developing site for IT/ITES with additional FSI, support services as defined in the IT Policy 2015, shall be allowed.
- i) Notwithstanding anything contained in these regulations, no amenity space is required to be left for development of plot/land upto 2.00 Hect. for IT/ITES.
- j) The Directorate of industries will develop a web portal on which the developer of every IT park will be bound to provide/update detailed information about names of the units in the park, utilization of built-up area and activities being carried out, manpower employed in the It Park for IT/ITES and support services on yearly basis.

If a private IT park has availed additional FSI as per the provisions of IT/ITES policy and subsequently it is found that the built-up space in the park is being used for non IT/ITES / commercial activities/ any other activity not permitted as per the IT/ITES policy under which the said park was approved, a penal action as below will be taken, the payment shall be shared between the concerned Planning Authority and the Government in the ratio of 3: 1.

- a) The misuse shall be ascertained by physical site verification of the said private IT park by a team of officers from the Directorate of industries and the Planning Authority which has approved the building plans of the said private IT park.
- b) A per day penalty equal to 0.3% of the prevailing ready reckoner value of the built-up area that has been found to be used for non- IT/ITES activities.
- c) The penalty will be recovered from the date of commencement of unauthorized use till the day non IT use continues.

After payment of the penalty to the concerned Planning Authority which has sanctioned the building plans of the concerned private IT park, the said private IT Park will restore the use of premises to the original purpose for which LOI/Registration was granted. If the private IT Park fails to pay penalty and / or restore the use to its original intended use, the concerned Planning Authority will take suitable action under the Maharashtra Regional and Town Planning Act 1966, against the erring private IT Park under intimation to the Directorate of Industries. This provision will also be applicable to existing IT Parks.

These provisions will be over and above the penal provisions of the MRTP Act. 1966.

### **33(13)(A) Buildings of Smart Fin Tech Centre**

- 1) The Commissioner may permit additional FSI up to 200 % over and above the basic permissible F.S.I. to Smart Fin Tech Centre located in Residential / Industrial/Commercial Zone, which have been approved by the Directorate of Information Technology, proposed to be set up (hereinafter referred to as the "said unit") by charging premium of 40% of the land rate for the said land as prescribed in Annual Statement of Rates for the relevant year of granting such additional F.S.I.

Provided that additional FSI shall be permissible only on plots having an access road of minimum 18 meters width and subject to approval by committee chaired by the Principal Secretary, Information Technology and comprising representatives of Industries, Finance and Urban Development Department (UD-1).

Provided further that, the premium so collected shall be shared between the Planning Authority and the Government in the proportion of 50 : 50. The share of the Government shall be deposited in the Fin Tech Corpus fund which is being set up by Director of Information Technology.

(Explanation :- Premium charges shall be calculated on the value of lands under such zones, determined by considering the land rates of the said land as prescribed in Annual Statement of Rates (ASR). These charges shall be paid at the time of permitting additional F.S.I. by considering the ASR for the relevant year without applying the guidelines)

- 2) The total maximum permissible F.S.I. shall not exceed limit of 3.00 in suburbs and extended suburbs and Mumbai City. In case of plot having area of 2,00,000 sq.mtr. or above, which front on roads having width of 24.00m or more, the F.S.I. may be permitted to be exceeded upto 4.00.
- 3) Notwithstanding anything contained in these Regulations, no amenity space is required to be left for development of plot/land up to 2.00 Hectare for Smart Fin Tech Centre.
- 4) At least 85% of total proposed Built-up area (excluding parking area) shall be permitted for business of Fin Tech (start-ups, incubators, and accelerators), banking, financial service including NBFC and insurance, and IT/ITES with focus on Fin Tech.
- 5) The Directorate of Information Technology will develop a web portal on which the developer of every Smart Fin Tech Centre will be bound to provide / update detailed information about names of the units in the park, utilization of built-up area and activities being carried out, manpower employed in the Smart Fin Tech Centre on yearly basis.
- 6) If a Smart Fin Tech Centre has availed additional FSI as per the provisions of Smart Fin Tech Centre policy and subsequently it is found that the built-up space in the Smart Fin Tech Centre is being used for non-Fin Tech / commercial activities / any other activity, not permitted as per the Smart Fin Tech Centre policy under which the said Centre was approved, a penal action as below will be taken, the payment shall be shared between the MCGM and the Government in the ratio of 3:1.
  - a) The misuse shall be ascertained by physical site verification of the said Smart Fin Tech Centre policy by a team of officers from the Directorate of Information Technology and the MCGM, which has approved the building plans of the said Smart Fin Tech Centre.
  - b) A per day penalty equal to 0.3% of the prevailing ready reckoner value of the built-up area that has been found to be used for non-Fin Tech activities, shall be imposed
  - c) The penalty will be recovered from the date of commencement of unauthorized use till the day non-Fin Tech activities.

After payment of the penalty to the MCGM, which has sanctioned the building plans of the concerned Smart Fin Tech Centre, the said Smart Fin Tech Centre will restore the use of premises to the original purpose for which LOI/ Registration was granted. If the Smart Fin Tech Centre fails to pay penalty and / or restore the use to its original intended use, the MCGM will take suitable action under the Maharashtra Regional and Town Planning Act 1966, against the erring Smart Fin Tech Centre under intimation to the Directorate of Information Technology.

These provisions will be over and above the penal provisions of the MRTP Act, 1966.

- 7) In this regulation the terms and expression shall have the meaning specified in Fin Tech Policy declared by Directorate of Information Technology vide Govt. Resolution No.DIT-2018/CR-17/D-1/39 dated 16<sup>th</sup> February 2018. Notwithstanding anything contained in the existing regulation, the above

provisions shall be applicable for Smart Fin Tech Centre. Other provisions of existing regulations, which are not specifically mentioned in this regulation shall be applicable.

**33(14) Shifting of cattle sheds outside Greater Mumbai:**

For Development of lands becoming vacant consequent upon shifting of cattle sheds existing thereon, to places outside Greater Mumbai, additional FSI to the extent of 33% over and above Zonal (basic) permissible FSI, shall be allowed on land occupied by cattle sheds and subject to the following conditions:

- (i) Such additional FSI shall be available for authorized /tolerated (existing prior to 01/04/1962) cattle sheds existing in Suburbs & extended Suburbs only;
- (ii) The development of such lands that have become vacant consequent upon shifting of cattle shall be regulated by the zoning Regulations of the zone in which such lands are situated.
- (iii) The additional FSI shall be worked out case by case by a Committee comprising of following members as constituted by Govt in Urban Development Department.

1.	The Chief Engineer (D.P), Municipal Corporation of Greater Mumbai, Mumbai	Chairman
2.	Cattle Controller, ADF Department, Mumbai	Member
3.	The Deputy Director of Town Planning Greater Mumbai, Mumbai	Member
4.	The Superintendent of Land Records, Mumbai Suburban District, Mumbai	Member

The proposed development shall further be subject to such conditions as may be prescribed by the Committee and payment of such amount of premium as may be fixed by Govt. in Urban Development Department.

**33(15) - Development of land earmarked for the MHADA/Mill Workers Housing under Regulation No 35.**

For development of land for transit camp/mill workers housing undertaken by MHADA, FSI up to 4.0 including Zonal (basic) FSI shall be allowed on land earmarked for MHADA/Mill Workers Housing under Regulation No 35 subject to following conditions -

- (i) The development of land earmarked for mill workers shall be exclusively used for mill workers housing,
- (ii) The development of land earmarked for MHADA for public housing, at least 100% FSI shall be exclusively used for mill workers housing and balance FSI for transit camp only.

Relaxation in buildings and other requirements:

- 1) The permissible FSI shall be calculated on gross plot area.
- 2) Recreational Open Spaces up to 8% shall be allowed.
- 3) Requirement of open spaces shall be as per the Regulation No 41(5)

**33(16) Reconstruction/Redevelopment in Gaothan/ Koliwada/Adiwasipada area –**

FSI for reconstruction/redevelopment of any property in gaothan/koliwada/adiwasipada i.e. on land with tenure 'A' shall be as follows:

- (a) For plots fronting on roads below 9 m width but more than 6.0 m, permissible FSI will be 1.5

(b) for plot fronting on road width of 9 m and above (existing or proposed), additional 0.5 FSI shall be allowed for commercial use subject to condition that margin and parking space as required under these Regulations are provided.

Provided that for (a) & (b) above, consumed FSI of existing buildings, utilized authorizedly shall be permitted.

(c) The boundaries of Gaothan/ Koliwada/Adiwasipada as finalized by Revenue Department shall be deemed to be reflected as boundaries of Gaothan/ Koliwada/Adiwasipada on the Development Plan.

(d) Independent provision for development of Gaothan/ Koliwada/Adiwasipada areas may be made by Government. **(Provision is kept in abeyance)**

**33(17) Buildings of Biotechnology Establishments: -**

With the Special permission, the Commissioner may permit the floor space indices to be exceeded beyond Zonal (basic) FSI specified in this Regulation No. 30 Table No. 12 as specified in the following table, in respect of buildings in independent plots for exclusively developing Biotechnology units set up by Public Bodies like MHADA, SEEPZ, MIDC, SICOM, CIDCO or their joint venture companies having more than 11% stake of these bodies or their lessees.

Sr No	Minimum Road Width	Maximum Permissible FSI
1	12m	Up to 3
2	18m	Up to 4
3	27m	Up to 5

On the plot area excluding area to be handed over to MCGM/Appropriate Authority in lieu of Reservation/ Existing amenity in the DP/ proposed DP roads/prescribed RL under MMC Act.

The Commissioner may specify terms and conditions.

Provided that in the above cited cases of grant of additional FSI for Biotechnology units, premium recovered for the BUA at the rate of 50% of ASR for open develop land (for FSI 1) or as may be determined by Govt. shall be paid to MCGM out of which 50% shall be payable to the Govt.

**33(18) Development of Multi Storey Public Parking Lots (PPL):**

For development of Multi-storeyed PPL on any plot abutting a road of minimum width of 18m additional FSI (hereinafter referred to as "Incentive FSI") as specified below on built up parking area, created and handed over to the MCGM free of cost, shall be allowed, on the land belonging to a private owner/Lease hold plots of Govt. and MCGM with prior consent, which is not reserved for any public purpose, subject to the conditions contained herein below:

I. The minimum area of plot shall be 1000 sq. m. The minimum number of Motor Vehicle public parking spaces provided shall not be less than 50, subject to minimum parking space of 700 sq. m. The location of parking spaces can be in basement, ground floor or upper floors, with access through ramp/lift or combination of both subject to clearance from CFO with special emphasis on fire hazard.

II. Till the formation of Parking Authority, a Committee under the Chairmanship of Municipal Commissioner, MCGM shall earmark/select the plots for public parking, on the basis of their suitability. The Committee shall comprise the following or their representatives (i) Metropolitan Commissioner, MMRDA. (ii) Joint Commissioner of Police (Traffic), (iii) Dy. Director of Town Planning, Greater Mumbai (iv) Chief Engineer (Road), MCGM (Member Secretary).



III. The incentive FSI given on this account will be over and above the Zonal (basic) FSI permissible under any other provisions of DCPR. This incentive FSI shall be allowed to be used on the same plot in conformity with DCPR/DP, within the overall cap/limit of total maximum permissible FSI as given at (vii) below.

IV. The proposed development shall be subject to any other conditions prescribed by the Municipal Commissioner.

V. Concerned land owner/development/society/company shall not be allowed to operate the public parking.

VI. Area covered under parking shall not be counted towards FSI consumption.

VII. The incentive FSI permissible under this Regulation against BUA of the PPL, shall be 50% of the BUA of the PPL, such that the total permissible FSI including the incentive FSI under this Regulation does not exceed as detailed below: -

Plot Area	Maximum permissible FSI
Up to 2000 sq. m	3.00
Above 2000 sq. m	4.00

VIII. Public Parking shall be limited to G + 4 and three basements.

IX. The maximum cap on BUA per parking shall be 50 sq. m for LMVs, 65 sq. m for LCVs and 120 sq. m for HMs/Buses. Incentive FSI shall be calculated as per BUA of the PPL, based on these norms or the actual BUA of the PPL, whichever is less.

X. The developer of the PPL shall pay 'premium', worked out as per the following formula:

Premium = 60% of [Value of the additional BUA corresponding to the incentive FSI admissible under this Regulation, as per A.S.R. – (Cost of construction of PPL + cost of any extra amenities/facilities provided + cost of construction of BUA corresponding to the incentive F.S.I. admissible under this Regulation)]

For the purpose of calculating premium as above, the cost of construction of PPL including amenities/facilities and the cost of construction of BUA corresponding to the Incentive FSI admissible under this Regulation shall be 75% and 125% respectively of the rate of RCC construction as per ASR.

(XI) The Premium shall be paid in two stages – 50% before the issuance of I.O.D. for the PPL and 50% before the issuance of C.C. for the incentive FSI admissible under this Regulation.

Upon Payment of 100% premium as aforesaid, C.C. shall be issued in respect of 50% of incentive FSI. In no case, shall the remaining 50% Incentive FSI be released without the handing over of the PPL, complete in all respects, to MCGM.

The year in which 50% premium is paid before the issuance of I.O.D. for the PPL shall be taken as the year for determination of construction cost as well as ASR for calculation of the premium. Out of the total premium payable, 50% shall be paid to the GoM and the remaining 50% to MCGM.

Provision of this Regulation may also be applicable to lease hold plots of Govt and MCGM with prior approval from Gov. /Municipal Corporation.

**33(19) Additional FSI for Commercial user development in Central Business District (CBD) or plot situated in Residential or Commercial Zone or Independent plot converted in Residential or Commercial Zone from Industrial zone:**

The Commissioner may allow FSI up to 5.0 including permissible FSI as per provision of Regulation 30(A)1 Table No 12 for commercial user/development on plots in marked as CBD or plot situated in Residential or Commercial zone or independent plot converted in Residential or Commercial zone from Industrial zone after compliance of Regulation 14(B) of these Regulations subject to the condition that permissible FSI as per Table 12 will be utilized first and the additional FSI under this Regulation on payment of premium subject to following conditions: -

- 1) Additional FSI shall be allowed for plots which are not reserved/designated in the DP except affected by proposed DP roads/Sanctioned RL under MMC Act and parking reservation.
- 2) The development of reserved/designated plots in CBD shall be governed by provisions of these Regulations.
- 3) Development for residential purpose to the extent of maximum 30% of the permissible FSI as per provisions of Regulation No.30 (A) 1, Table No 12 may be allowed. Additional FSI as per this regulation shall not be permissible for residential user/development.
- 4) Premium for granting such additional BUA beyond permissible FSI as per Table No 12 shall be charged at the rate of 50% of ASR for open developed land of FSI 1 and shall be equally shared between the GoM. and MCGM.
- 5) Provision of IH shall not be applicable for development in CBD.

Provided further that in case the entire commercial development is on a plot situated in Commercial Zone/Independent plot in Residential Zone, and satisfies other related provisions of these Regulations, the Commissioner may allow FSI as detailed below including permissible FSI as per provision of Regulation 30(A)1 Table No 12 for commercial uses/development on area of plots excluding area covered under Reservation/Designation in the DP except affected by proposed DP roads/Sanctioned RL under MMC Act , on payment of premium for BUA @ 50% of ASR for open developed land for FSI 1 and shall be equally shared between the GoM and MCGM. In this case, no residential development will be allowed on such plot.

Sr. No	Minimum Road Width	Maximum Permissible FSI
1	12m	3
2	18m	4
3	27m	5

On the plot area excluding area to be handed over to MCGM/Appropriate Authority in lieu of Reservation/ Existing amenity in the DP/ proposed DP roads/prescribed RL under MMC Act.

**33(20) Affordable Housing (AH)/Rehabilitation & Resettlement (R & R):**

- (A) Development or redevelopment of plots earmarked/reserved for AH/R&R on the lands of MCGM/Govt./Appropriate Authority as notified by Govt. or unreserved plot of these authorities and in possession, may undertake development for AH and/or R&R for the purpose of the housing those who are displaced by projects undertaken by the Corporation/Appropriate Authority for implementation of proposals such as DP/MUTP/MUIP and other vital public projects with permissible FSI as detailed below:

Minimum Road Width	Maximum permissible FSI
12m	3.00
18m	4.00

The following conditions shall be observed:

- 1) The carpet areas of the tenements to be constructed under the concept of "AH" shall be for EWS, LIG, MIG, or as decided by Govt. from time to time subject to a minimum 25 sq. m. Development of other types of tenements shall not be permissible under this Regulation.
- 2) No premium shall be charged for fungible compensatory area and for features covered under the provision of Regulation No 31(1) for the development for AH/R&R tenements.
- 3) The MCGM/Public Authority shall make provision for offsite infrastructure charges at the rate of 7% of land rate as per ASR for FSI 1 for BUA beyond Zonal (basic) FSI. Out of 7% charges, 5/7 of such charges shall be transferred to the fund allocated for infrastructural development for developing necessary offsite infrastructure.
- 4) The requirement of open spaces shall be as per Regulation No 41(5) subject to clearance from CFO.
- 5) Once the development of AH/R&R tenements is completed and Occupation Certificate is granted, it shall be the responsibility of the MCGM/Public Authority of allotment of AH/R&R tenements within 12 months from the date of grant of occupation or earlier. Once development proposal is approved for AH/R&R, the MCGM/Public Authority may start process of sale proceeds.
- 6) The fund so received on account of sale proceeds of such tenements i.e. EWS, LIG, MIG, after deduction of cost of development including off site infrastructure charges for development of AH/R&R, 50% amount shall be utilized towards implementation of D.P. and rest amount shall be used for the development of AH/R&R tenements at other locations.
- 7) The MCGM/Public Authority may develop AH/R&R in the plot of land reserved for Rehabilitation & Resettlement, but the same shall not be applicable when private owner undertakes development.
- 8) The land with approved BUA shall be leased out to such society of occupants of building.
- 9) In case of layout 25% of Zonal (basic) FSI shall be exclusively used for the purpose of convenience shopping along layout road

**(B) Development of AH/R&R on private plot or plot of authority other than Govt./MCGM/Appropriate Authority.**

The permissible FSI may be allowed to be exceeded up to 4.0 when the private owner other authority proposes to develop non-reserved/non-designated private land for AH/R&R tenements and hand over the area of AH/R&R tenements free of cost to MCGM.

- (a) The FSI & distribution of additional FSI for the construction AH/R&R shall be as shown below:

Location	Minimum Road Width	Total permissible FSI	Zonal FSI	Additional FSI	%FSI for Transit tenements for SRA/ of total additional FSI	% FSI for sale component of total additional FSI
1	2	3	4	5	6	7
Island City	12m	Up to 3.0	1.33	Up to 1.67	63%	37%
	18m	Up to 4.0	1.33	Up to 2.67		
Suburbs & Extended Suburbs	12m	Up to 3.0	1.00	Up to 2.0	50%	50%
	18m	Up to 4.0	1.00	Up to 3.00		

On the plot area excluding area to be handed over to MCGM/Appropriate Authority in lieu of Reservation/ Existing amenity in the DP/ proposed DP roads/prescribed RL under MMC Act.

(b) Such Scheme shall not be permissible in SDZ/GZ.

(c) The carpet areas for AH/R&R tenements to be constructed shall be as required for EWS, LIG and MIG as decided by Govt. from time to time subject to a minimum 25 sq. m

(d) The ratio of BUA to carpet area shall be 1.2, including all the amenities & facilities. The area of features permissible free of FSI as per Regulation No 31 shall not be considered for the calculation of carpet areas.

(e) The owner shall have to declare the intension for developing the plot for AH/R&R initially. The AH/R&R shall be marked on the plan clearly with note, "to be handed over to MCGM".

(f) The additional FSI over & above Zonal (basic) FSI may be released in co-relation as per BUA of tenements that are required to be handed over free of cost to MCGM, in proportion 0.50 sale: 1 AH/R&R area and 100% sale area can be released only after handing over of entire AH/R&R tenements.

Alternatively, TDR in lieu of unconsumed sale component of additional FSI, as per provision of this Regulation in proportion as stated above can be released. However, 20 % of such admissible TDR shall be released only after handing over the entire area of AH to MCGM.

(g) After AH/R&R tenements are handed over free of cost to MCGM, Occupation Certificate for sale portion shall be given.

(h) No premium shall be charged for fungible compensatory area and features permitted free of FSI as per Regulation No 31 for the development for AH/R&R tenements. However, payments of the premium shall be applicable on the owners share wherever required.

(i) The offsite infrastructure charges at the rate of 7% of land rate as per ASR for FSI 1.0 for BUA beyond Zonal (basic) FSI shall be payable.

(j) The owner shall be allowed to utilize the Zonal (basic) FSI and BUA as per column no (7) of above table for the uses permissible in the zone.

(k) In case of layout, 25% of Zonal (basic) FSI shall be exclusively used for the purpose of convenience shopping along layout road

#### **l) Clubbing :**

This provision shall not apply to the plots wherein permissible Zonal F.S.I. is less than 1.00.

The entire AH/ R&R components including Base FSI may be categorized as AH/ R&R component as applicable and the corresponding sale components from the additional FSI amongst two or more schemes under this regulation can be permitted to be interchanged. A developer / developer making an application under this regulation may club more than one plot belonging to single or multiple owners and offer AH/ R&R component on a single plot while shifting sale component as well as base FSI of the plot to other plots provided all right holders of these plots agree and make a joint application. However, clubbing shall be allowed only if it leads to an independent plot / building / wing as the case may be with AH/ R&R component being handed over to Planning Authority.

The developer shall have to pay as an unearned income equal to 40% of difference of sale value of shifted built up area of AH/ R&R component as per ASR.

Such clubbing can be allowed for the schemes falling in same ward or adjoining ward or within the distance of 5 km.

The premium shall be paid to the Planning Authority in two stages 50% at the time IOA and 50% at the time of issuing C.C. for the incentive FSI. or the developer has to surrender equivalent sale FSI in form of constructed BUA to the extent of premium in the scheme to be valued at ASR rate of sale in the year of such surrender of built up area.

Note: Out of the total premium amount collected under this Regulation, 2/3 shall be kept in a separate account to be utilized for infrastructure development by MCGM and 1/3 shall be deposited at the Office of the Deputy Director of Town Planning, Greater Mumbai.

#### **(C) Shramasafalya /Ashray Yojana**

The tenements required for Shramasafalya/ Ashray yojana may be allowed to be constructed as per the provisions of Regulation (A) & (B) above with the special permission of Municipal Commissioner subject to condition that the sizes of tenements constructed shall be governed by the requirements of such schemes

#### **33(21) Development and Redevelopment of Municipal Market/Public Amenities by MCGM/Government**

##### **(A) Development and Redevelopment of Municipal Market**

If development/redevelopment of existing Municipal Market of MCGM or land Reserved for Municipal Market/ Existing Municipal market on land belonging to MCGM is proposed by MCGM itself, then development/redevelopment of such existing Municipal market/reserved land of Municipal Market shall be as follows:

i. The permissible FSI shall be as specified below:

Sr No	Minimum Road Width	Maximum Permissible FSI
1	12m	3
2	18m	4
3	27m	5

On the plot area excluding area to be handed over to MCGM/Appropriate Authority in lieu of Reservation/ Existing amenity in the DP/ proposed DP roads/prescribed RL under MMC Act.

- ii. The existing licensed vendors on such lands, if any, as certified by Market Department of MCGM, shall be allotted spaces in the proposed redevelopment. While reallocating, they shall be reallocated with 20% more carpet area over and above their existing carpet area (excluding fungible compensatory area). The status of the licensed vendor shall remain as it was prior to redevelopment.
- iii. BUA as per Zonal (basic) FSI or BUA required for accommodation/rehabilitation of existing licensed vendors certified by the Market Department of MCGM, whichever is more, shall be exclusively developed for Market purpose and balance potential may be utilised for the users permissible in the respective zone and conforming with these regulations or the user as stated below in this Regulation.
- iv. The commercial galas so constructed and available with MCGM, will be first allocated to existing licensed vendors certified by Market Department, second to PAPs of vital public purpose projects, third to new licensees as per policy decided by the MCGM.
- v. Deleted
- vi. The MCGM may undertake such development on its own
- vii. Minimum 6 m open space or open spaces as required under Regulation no 41(5) shall be deemed to be sufficient subject to fulfilment of requirement from fire safety point of view.
- viii. Separate access for the market area and other development shall be provided.
- ix. Notwithstanding anything contained in this Regulation, where the existing Market/designated land is having combination of user/reservation, the existing BUA of such user shall be necessarily put to such use.
- x. No premium shall be charged for Fungible compensatory area as per Regulation No 31(3).

**(B) Public Amenities by MCGM/Government:**

For the construction of building for public purpose/ public amenities by the Corporation/Govt. on their own, on the plot of land belonging to them, the FSI shall be as specified below:-

Sr No	Minimum Road Width	Maximum Permissible FSI
1	12m	3
2	18m	4
3	27m	5

On the plot area excluding area to be handed over to MCGM/Appropriate Authority in lieu of Reservation/ Existing amenity in the DP/ proposed DP roads/prescribed RL under MMC Act.

Such additional FSI will not be available when private owner undertakes development as per Regulation No. 17.

No premium shall be charged for Fungible compensatory area as per Regulation No 31(3).

**33 (22) Regulation for Exhibition-cum-Convention Centers in MCGM Area**

**1) Definition:** An Exhibition-cum-Convention Centre is a complex comprising buildings, halls and open spaces which are designed to host and/or organize --

- (a) business-to-business and business-to-customer exhibitions where products, machinery, art, skills, services, activities etc. are displayed on temporary or permanent basis; and
- (b) large congregations for the purpose of conventions, meetings, conferences, assemblies, rallies, concerts, cultural activities and performances.

**2) Admissibility:** - Development of Exhibition-cum-Convention Centre shall be permissible on a plot in Residential / Industrial /Commercial Zone subject to following conditions: -

- i) For the purpose of calculating the FSI, the remaining area after excluding the land under the Development Plan Roads /Reservation of public amenities shall be considered.
- ii) In case of plots in Residential / Industrial /Commercial Zone , the Floor Space Indices specified in Table 12 may be permitted to be exceeded up to **4.00** F.S.I by charging premium at the rate of 10% of the land rate as prescribed in Annual Statement of Rates published by Revenue Authority for the relevant year of granting such F.S.I. without applying the guidelines mentioned therein.

**3) Conditions for Development of Exhibition-cum-Convention Centre: -**

- a.** Such Plot should have a minimum area of 5 hectares excluding Development Plan proposals of reservation and/or roads, if any.
- b.** Entry Gates of the Exhibition-cum-Convention Centre must abut a main road/ highway having a minimum width of 18.30 mtr. with minimum 2 each of ingress and egress of proper width.
- c.** The ground coverage of the Exhibition-cum-Convention Centre on such plot shall not exceed 2/ 3<sup>rd</sup> of the gross plot area excluding Development Plan proposals of reservation and/ or roads, if any.
- d.** LOS and Amenity Area shall be provided on such plot as prescribed in Regulation 27.

Provided that the limit of maximum area of 2500 sq. m shall not apply for the development under this Regulation.

The LOS area shall be counted in 1/3 open space required as per regulation 3(c) above.

- e.** Out of the total permissible built up area on such plot, at least 2/3<sup>rd</sup> shall be allocated for Exhibition-cum-Convention Centre buildings/ halls, toilet blocks, Organiser's office; protocol lounge; VIP lounge; Press lounge; registration areas; pre-function areas; refreshment & snack centres; meeting rooms; business centre; creche; meditation rooms; wellness centre; bank & forex service counters; surveillance & security rooms; service contractor's office; audio-visual/ sound room; green room; maintenance workshop; maintenance staff office; strong rooms, first aid and emergency room.
- f.** Remaining permissible built up area, not exceeding 1/ 3<sup>rd</sup> of the total built up area, on such plot may be allocated for Support Services as described below in Table.

**TABLE**

Sr. No.	Support Services
1.	Hotels not less than 3-star category Hotels
2.	Dining Areas: Food Courts, Cafeteria, Fine Dining Restaurants, Restaurants & Bar, Convenience Store
3.	Recreation Areas: Indoor children's play area, Indoor games area, Fitness center

4.	Fire Services
5.	Health post for emergency services with ambulance facility shall be provided.
6.	Staff quarters for minimum 25 tenements per 5 Ha. Each having not less than 25 Sq.mtr. BUA
7.	Space for Police Chowky of minimum 100 sq. mtr. shall be provided as per requirement of Police Department.
8.	Sewerage treatment system as per design and drawings approved by MCGM.
9.	Rain water harvesting plant shall be provided.
10.	Special provisions for Drinking water & PSC blocks for gents & ladies shall be provided.
11.	Dedicated Electric Sub-station as per requirement of Power Supply Company, shall be provided

Note: Regulation 33(4) pertaining to hotels shall not be applicable to the hotels in any Exhibition-cum-Convention Centre.

**g.** Occupation Certificate (OC) in respect of a minimum of 1/6<sup>th</sup> built-up area of the Exhibition-cum-Convention Centre shall be obtained prior to obtaining Commencement Certificate in respect of Support Services.

**4). FSI Computation for Exhibition-cum-Convention Centre:-**

FSI computation for areas shall be as per these Regulations

Provided that height of any Exhibition Hall or Convention Hall greater than 4.20 meters shall not be deemed to have consumed an additional FSI of 50% of the relevant floor area.

**5) Marginal Open Spaces:**

- i) The marginal open space shall be minimum 12.00 mt. from all sides of the plot.
- ii) Canopies may be permitted in front open space, provided the marginal open space does not become less than 6.00 mt.

**6) General Requirements for Exhibition / Convention Halls shall be as under:**

- i) The size of each hall shall not be less than 4,000 sq. m.
- ii) Minimum width of the hall shall not be less than 50m.
- iii) The minimum floor to floor height of the Exhibition Hall / Convention Hall shall be 8.00 mt.
- iv) It shall be permissible to construct the Exhibition-cum-Convention Centre buildings / halls in multiple levels.
- v) For the planning of all the other habitable / non habitable areas for amenities areas and Support services, Regulation 37 shall be applicable.
- vi) Minimum width of the internal road shall be 13.40 mtr.
- vii) Requirement of fire shall be as per Regulation 47 of these Regulations.

**7) Parking requirements for Exhibition-cum-Convention Centre shall be follows:-**

- i) Allotted parking space for one (1) Fire Engine and one (1) Ambulance shall be compulsorily provided.



- ii) (a) Convention Center- For every 10 seats, parking space for 2 cars shall be provided.
- (b) Exhibition Area-- For every 1000 Sq. mtrs of exhibition area, including open exhibition area, parking space for 25 cars shall be provided.
- (c) In addition to the parking spaces provided for 4-wheeler vehicles.  
The following shall be provided.
1. For 2-wheeler vehicles, minimum 25% of the total number of required parking for 4-wheelers, shall be provided.
  2. Taxi Stand for minimum 25 taxis and 50 Auto Rikshaws.
  3. Bus Terminal for minimum 10 buses shall be provided.
- iii) For the area of Support Services, parking shall be provided as per Regulation 44.
- iv) The additional parking space may be granted without counting the such area of parking into F.S.I.

8) In CRZ areas, the FSI for such proposals, shall be governed by the MoEF Notification issued from time to time.

9) No relaxation shall be granted.

**33(23) :- The regulations for Transit Oriented Development (TOD) FSI with the other conditionality to promote densification along Mass Transport Corridor will be formulated separately.**

**(kept in abeyance)**

## PART VII LAND USE CLASSIFICATION AND USES PERMITTED

### 34. Land use Zoning & Uses Permitted

The Proposed Land-use plan depicts the land use zones.

#### 1 General:

In case of development of any land, the intended use shall conform to the permissible uses of the zone in which the land is situated.

#### 2 Zoning definitions:

Following land use zones are demarcated on the Proposed Land-use Plan.

**Table No. A**

#### Zoning Definitions

Zone	Representation	Broad Description
Residential Zone(R – Zone)	R	The Residential Zone is a mixed use zone with residential use as the predominant one and where other uses as specified are permitted.
Commercial Zone (C – Zone)	C	The Commercial Zone is a mixed use zone with commercial use as the predominant one and where other uses as specified are permitted.
Industrial Zone (I – Zone)	I	Industrial zone is a zone with manufacturing as the primary activity. In addition, warehousing and logistics are also permissible. New industrial activity shall be non-polluting, non-hazardous and subject to clearance from MPCB. Existing Industrial users are protected subject to certification by MPCB. Conversion of land use can be permitted as specified in these Regulations.
Special Development Zone	SDZ	Special Development Zone (SDZ) is a zone which is to be developed predominantly for the society at large with emphasis on Affordable Housing, POS and necessary Social infrastructures.
Natural Areas /Zone	NA	Natural Area Zone (NA) is an environmentally sensitive zone amenable to buildable development with the approval of the Competent Authority.
Green Zone	GZ	Green Zone (GZ) is a large area predominantly with green cover.

Note: In conformity with the intent and spirit of these Regulations, with the special permission of the Commissioner may modify the boundary limit of a zone where the boundary line of the zone divides a plot.

**3 Uses and ancillary uses permitted in the zones:**

The purpose of this Regulation is to allow environmentally compatible uses in a zone on a given plot of land and specifically prevent non-compatible uses. Where an activity not specifically listed in these Regulations is proposed, its approval or rejection will be decided with the special permission of the Commissioner

**3.1 Conditions/parameters under which land-uses are permissible**

The conditions under which land-uses are permissible in the zones and which are required to be complied with as detailed in Table No. C are described in this Regulation listed in Table No. B below.

**Table No. B.**

Conditions/parameters under which land-uses and occupancies are permissible.

Sr No	Conditions under which Land-use and Occupancies are permissible
1	Independent plot
2	Independent building
3	Separate wing with separate access
4	Separate floor with separate access
5	On ground floor
6	On ground floor with separate access.
7	On stilt
8	On the top of podium
9	On ground/stilt, 1 <sup>st</sup> &2 <sup>nd</sup> floors with separate access
10	On Terrace
11	Minimum area of plot-1,000 sq. m
12	Minimum area of plot-2,500 sq. m
13	Minimum width of street on which the plot abuts-9.00 m
14	Minimum width of street on which the plot abuts-12.00 m
15	Minimum width of street on which the plot abuts-13.40 m
16	Minimum width of street on which the plot abuts-18.30 m
17	Permissible on street on which the plot abuts road having width more than 18.3 m excepting roads as stated in regulation below this table
18	All ancillary uses limited to 50% floor space of principal use
19	Minimum width of side & rear marginal open Space-6.0 m.
20	In a single-storeyed detached or semi-detached structure each unit having an area not more than 100 sq. m
21	With the Special permission of Commissioner
22	Subject to permission of Commissioner of Police
23	Subject to approval from Traffic Police.

Sr No	Conditions under which Land-use and Occupancies are permissible
24	Subject to permission from Executive Health Officer of MCGM.
25	Subject to permission from Director of Industries
26	Subject to permission from Controller of Explosives
27	Minimum width of side & rear marginal Open Space - 9.0 m.
28	By maintaining segregating distances as per Regulation No 41

Roads listed as per serial no. 17 of above Table

(a) (1) All Express Highways/Freeways

(2) East West Corridor i.e. Jogeshwari Vikroli link Roads, Goregaon Mulund Link Road General Arun Kumar Vaidya Marg, Santacruz Chembur Link Road, Ghatkopar Mankhurd Link Road, Andheri Ghatkopar Link Roads, Mathurdas Visanji Marg (Andheri Kurla Road), Jai Prakash Road

(3) Western Corridor:- From Regal Cinema junction to Vithabhai Patel Road, Khar covering Madam Cama Road, Netaji Subhash Road, Dr. N.A. Purandare Marg, Babulnath Road, Justice Patkar Marg, Bhulabhai Desai Road, Lala Lajpatrai Road, Dr. Annie Besant Road, Veer Savarkar Marg, Mahim Causeway, Vithalabhai Road upto its junction with Chitrakar Dhurandhar Marg, Khar and Juhu Tara Road.

(4) Central Corridor.- From Regal Cinema junction to V.N.Purav Marg, Trombay, covering Mahatma Gandhi Road, Dadabhai Navroji Road, Lokmanya Tilak Road, Dr.B. Ambedkar Marg, Sion Road, Tatya Tope Road, V.N. Purav Marg upto Anushakti Nagar.

(5)a) Other Roads viz. Shahid Bhagatsingh Road, Lokmanya Tilak Road, L. Jagmohandas Road (Napean Sea Road), Bhulabhai Desai Road (Warden Road), August Kranti Marg, Walkeshwar Road, S.K. Barodawala Marg (Altamount Road), Dahanukar Marg (Carmichael Road), Manav Mandir Road,

b) Proposed Roads having width 45.70 m and above.

### 3.2 Conditions applicable for permitting various land-uses and occupancies

The conditions applicable for permitting various land-uses and occupancies in Residential, Commercial & Industrial Zones as described in Table No. B, are given in Table No. C with following for their permissibility.

P	"P" Denotes Permissible Use without conditions in a Zone. When conditions are reflected without indication of "P", such uses shall be permissible in that zone subject to compliance of those conditions.
NP	Denotes Non-Permissible Uses in a Zone.

Table No. C.

Conditions under which uses and occupancies will be permitted in Residential, Commercial & Industrial Zones

Sr. No.	Uses and Occupancies	Conditions/Parameters under which land uses and occupancies will be permitted in zones			
		R	C	I	Additional Conditions/Parameters
1	Residential	P	1 or 2 or 3 or 4	NP	In case of CBD, FSI will be regulated as per Regulation No 33(19) subject to compliance of condition 1 or 2 or 3
2	Customary home occupations including professional works from home in all such as detached, semi-detached and multi-family houses	P	1 or 2 or 3 or 4	NP	
3	Residential care activities for the elderly and disabled, orphanages, boarding homes/institutions for children and women	1 or 2 or 3 or 4	1 or 2 or 3 or 4	NP	
4	Short term accommodation (i) 4 or 5 Star category hotels	1 or 2 & 11,16,21	1 or 2 & 11,16,21,	1 or 2 & 11,16,21,28	
	(ii) 3 Star category hotels	1 or 2 or 3 & 15,21	1 or 2 or 3 & 15,21	1 or 2 or 3 & 15,21,28	
	(iii) Other categories of Hotels	1 or 2 or 3, & 14,21	1 or 2 or 3 & 14,21	1 or 2 or 3 & 21,28	
	iv) Motels, resorts,	1 or 2 & 14,21	1 or 2 or 3 & 21	1 or 2 or 3 & 21,28	In case of 3 in residential premises, it shall be subject to condition no 18
	v) Guest houses, circuit houses, hostels and boarding / lodging houses, Dharmashala	1 or 2 or 3 or 4 & 13	1 or 2 or 3 or 4	1 or 2 & 28	In case of 3 or 4 and in residential premises, it shall be subject to condition no 18
	vi) Club Houses or Gymkhanas with extension counter or branch of Bank	1 or 2 or 3 or 8	P	NP	Branch of bank shall not be permissible as per 8
	General agriculture, horticulture and poultry farming (but not dairy farming)	1 or 2	1 or 2	NP	Poultry farming permitted at the rate of 0.25 sq. m. BUA per bird in plot measuring not less than 1 ha.; provided that no offensive odors, dirt and/or dust are created, that there is no sale of products not produced on the premises, and the accessory buildings are not located within 9 m of the boundaries or 6 m. from the main buildings or the plot:

**PART-VII LAND USE CLASSIFICATION AND USES PERMITTED**

**DCPR-2034**

Sr. No.	Uses and Occupancies	Conditions/Parameters under which land uses and occupancies will be permitted in zones			
		R	C	I	Additional Conditions/Parameters
					Provided further that the above restriction on space shall not apply to any poultry kept for domestic consumption only.
5	A) Health Care facilities without indoor bedding facilities for patients like, dental, medical practitioners, pathological laboratory, diagnostic clinic, eye clinic ,veterinary clinic & clinics of other medical allied facilities	1 or 2 or 3 or 6 or 9	1 or 2 or 3 or 6 or 9	NP	In case of 3,6,9 and in residential premises it shall be subject to condition no 18
	B) Health Care facilities with indoor bedding facilities for patient like maternity homes, polyclinics, nursing homes, eye hospitals & other medical allied Facilities	1 or 2 or 3 or 6 or 9	1 or 2 or 3 or 6 or 9	NP	In case of use already existing prior to coming in force of these Regulations, without fulfillment of condition no 3,6 and 9, the said use may be allowed to continue subject to compliance of condition no 21 & 24
6	All other hospitals correctional and mental institutions, institutions for children, the aged or widows sanatoria and hospitals (except veterinary hospitals)	1 or 2 or 3 & 16	1 or 2 or 3 & 16	NP	Hospital principally for contagious diseases shall be located not less than 36 m. from any boundaries. In case of 3 in residential premises, it shall be subject to condition no 18
7	(i)Preprimary school, montessori school ,kindergarten schools, balwadis & coaching classes	1 or 2 or 3 or 6 or 9	1 or 2 or 3 or 6 or 9	NP	Permissible with minimum area 40 sq. m in residential building & in case of 3, 6, 9 subject to no nuisance being caused to the occupants of the building. In case of 3,6,9 in residential premises, it shall be subject to condition no 18
	(ii)Primary schools/Primary cum secondary school	1 or 2 or 3 & 13	1 or 2 or 3 or 6 or 9 & 13	NP	In case user is proposed in residential building as per 3, the same shall be permissible subject to no nuisance being caused to the occupants& as per condition no 21. In case of 3 in residential premises it shall be subject to condition no 18
	(iii)Composite Schools and colleges with other activities such as sports, recreational, cultural and educational support services. Educational Universities, Hostels	1 or 2 or 3 & 14	1 & 14	NP	
8	Institutional uses other than specified in this table	1 or 2 or 3 or 4 & 15	1 or 2 or 3 or 4 & 15	NP	In case of 3 & 4 in residential premises it shall be subject to condition no 18

## PART-VII LAND USE CLASSIFICATION AND USES PERMITTED

Sr. No.	Uses and Occupancies	Conditions/Parameters under which land uses and occupancies will be permitted in zones			
		R	C	I	Additional Conditions/Parameters
9	Police Station, Govt. or Municipal sub-offices, branches of Banks with safe deposit vaults, telephone exchange, sub-office of consulate offices, sub offices of electric supply company, Post office, Civil Defense warden post and First Aid post, Home Guard & Civil Defense center.	1 or 2 or 3 or 6 & 14	1 or 2 or 3 or 6 or 9	1 or 2 or 3 or 4 or 6	In case of 3,6 in residential premises it shall be subject to condition no 18
10	Electricity consumer/ distribution sub stations	1 or 2 or 3 or 6 or 7 or 8	1 or 2 or 3 or 6 or 7 or 8	1 or 2 or 3 or 6 or 7 or 8	
11	Fire station,	1 or 2 or 3 & 13	1 or 2 or 3 & 13	1 or 2	In case of 3 in residential premises it shall be subject to condition no 18
12	Electricity distribution/ receiving stations, public utilities & services such as pumping station, sewage disposal work, water supply installation & ancillary structures thereof	1 or 2 & 14	1 or 2 & 12	1 or 2	
13	Convenience Shops	5, 14 & 18	P	NP	In Gaonthan & Koliwad areas shall be permissible on road width of 9.0m & above.
14	Photographic studios with laboratories, Photo-copying, video-taping establishments etc, local sub-offices of any public utility, pawnshops, undertaker's premises, private lockers, data processing unit including desk top publishing, with use of computers, travel agencies, ticket booking and selling agencies for air, surface or water travel or transport of any other modes of travel or transport, shoe repair and sports shops, fish or meat or frozen food store	5,14 & 18	P	P	Each employing not more than 9 persons & Power not more than 3.75 KW for Photographic studios with laboratories, Photo-copying, video-taping establishments.
15	Shops for the collection and distribution of clothes and other materials for cleaning, pressing and dyeing establishments.	5 or 6 & 16,17	P	P	In case of 5, 6 in residential premises shall be subject to condition no 18. Cleaning, pressing and dyeing establishments may be permitted in service industrial estate
16	Tailoring, embroidery and button-hole making shops,	5 or 6 & 14,17	P	P	In case of 5, 6 in residential premises shall be subject to condition no 18 Each employing not more than 9 persons. Tailoring, embroidery and button-hole making shops

## PART-VII LAND USE CLASSIFICATION AND USES PERMITTED

Sr. No.	Uses and Occupancies	Conditions/Parameters under which land uses and occupancies will be permitted in zones			
		R	C	I	Additional Conditions/Parameters
					may be permitted in service industrial estate
17	Cleaning and pressing establishments for clothes,	5 or 6 & 16,17	5 or 6	P	Each occupying a floor area not more than 200 sq. m. and not employing solvents with a flash point lower than 59° C, machine with dry-load capacity not exceeding 30 Kg. and employing not more than 9 persons: Provided that the total power requirement does not exceed 4 KW. In case of 5, 6 in residential premises it shall be subject to condition no 18. Cleaning and pressing establishments for clothes may be permitted in service industrial estate.
18	Coffee grinding establishments	1 or 2 or 3 or 5 or 6 & 16,17	1 or 2 or 3 or 5 or 6	P	With electric motive power not exceeding 0.75 KW. (0.025 KW individual motor each). In case of 3, 5, 6 in residential premises it shall be subject to condition no 18.
19	Establishments using power only for heating refrigeration or air-conditioning purposes.	1 or 2 or 3 or 5 or 6 & 16,17	1 or 2 or 3 or 5 or 6	P	In case of 3, 5, 6 in residential premises it shall be subject to condition no 18.
20	Bulk storage of kerosene and bottled gas for domestic consumption	1 or 2 or 3 or 5 or 6 & 16,17,21,26	1 or 2 or 3 or 5 or 6 & 21,26	21,26	In case of 3, 5, 6 in residential premises it shall be subject to condition no 18.
21	Fish or meat, Vegetable, fruit, flower, frozen fish, frozen meat or frozen food shops,	5,14 & 17 & 18	5,14	NP	In Gaonthan & Koliwadas areas shall be permissible on road width of 9.0m & above.
22	Shops for goldsmiths, lock-smiths, watches and clocks, electronic goods and their repairs, bicycles and their rental and repairs, optical glass grinding and repairs, musical instruments and their repairs, picture-framing, radio, television and household appliances and their repairs, umbrellas and their repairs and upholstery work,	5,14 & 17 & 18	P	P	In Gaonthan & Koliwadas areas shall be permissible on road width of 9.0m & above. Each employing not more than 9 persons. In the vicinity of obnoxious industries subject to 28.
23	a) Art galleries i.e. display shops	1 or 2 or 3 or 5 or 6 or 20	P	NP	In case of 3,6 & 20 in residential premises it shall be subject to



**PART-VII LAND USE CLASSIFICATION AND USES PERMITTED**

Sr. No.	Uses and Occupancies	Conditions/Parameters under which land uses and occupancies will be permitted in zones			
		R	C	I	Additional Conditions/Parameters
	b) Personal services establishments c) Motor driving schools d) Hair dressing saloons and beauty parlours.	& 16,17			condition no 18
24	Professional offices and studies of a resident of the premises and incidental to such residential use, or medical and dental practitioners' dispensaries or clinics of a resident of the building with only outpatient treatment facilities without any indoor work,	18	P	NP	In residential premises each not occupying a floor area exceeding 50 sq. m on any floor
25	Business Offices and services establishments	1 or 2 or 3 & 14	1 or 2 or 3	NP	In case of 3 in residential premises it shall be subject to condition no 18 There shall be no restriction of width of street in case of business office in commercial zone.
26	Restaurants, eating houses, cafeteria, ice-cream and milk parlours	1 or 2 or 3 or 6 or 9 & 16 & 17 & 18	1 or 2 or 3 or 6 or 9	NP	In case of 3,6,9 in residential premises it shall be subject to condition no 18
27	Retail trade and shops/stores or shops for conduct of retail business,	6 or 20 & 15,17, 18	6 or 20 or 9 & 17	NP	Storage or sale of combustible materials shall be permissible subject to condition no 21. In case of residential premises shall be subject to condition no 18.
28	Malls/shopping centers /Multiplex/Departmental Stores and Independent Market building along with their ancillary storage	1 or 2 or 3 & 16	1 or 2 or 3 & 16	NP	Additional 3.0 m front open space for the traffic management / holding bay shall be provided.
29	Sale of used or second hand goods for merchandise, excepting for junk, cotton and other waste rags or other materials of an offensive nature.	1 or 2 & 16,17	P	P	
30	Storage of furniture and household goods	1 or 2 or 3 or 6 & 16,17	14	P	
31	Retailing of building materials, open or enclosed,	1 or 2 & 16,17	14	P	With not more than 500 sq. m of area per establishment.
32	Pasteurizing and milk processing plants each employing not more than 9 persons and 7.5 KW motive power within an area not more than 100 sq. m.	1 or 6 or 20 & 16,17	1 or 6 or 20 & 14	P	

**PART-VII LAND USE CLASSIFICATION AND USES PERMITTED**

**DCPR-2034**

Sr. No.	Uses and Occupancies	Conditions/Parameters under which land uses and occupancies will be permitted in zones			
		R	C	I	Additional Conditions/Parameters
33	Repair, cleaning shops and analytical experimental or testing laboratories	1 or 2 or 3 or 6 or 20 & 16,17	14	P	Each employing not more than 15 persons (but not including cleaning and dyeing establishments, using a cleaning or dyeing fluid having a flash point lower than 50 degree C and machines with dry-load capacity not exceeding 30 kg. or any establishment carrying on activities that are offensive because of emission of odour, dust, smoke, gas, noise or vibration or otherwise dangerous to public health and safety), provided that the motive power requirement of each such establishment does not exceed 7.5 KW.
34	Paper-box manufacturing, including paper-cutting,	NP	1 or 2 or 5 or 6,14	P	
35	Establishments requiring power for sealing tins, package, etc.	NP	1 or 2 or 5 or 6,14	P	
36	Ice factories in independent buildings.	1 or 2 & 16,17	1 or 2, 14	P	In case of R & C Zone each with an area of not more than 250 sq. m and power not more than 34 KW
37	Aquariums.	1 & 16,17	1,16	P	
38	Cemeteries and graveyards	1	1	1	subject to approval of the Corporation
39	Private parks, gardens and playfields on non-reserved plots	1	1	1	
40	Stadiums, golf courses and amusement parks	1	1, 16	NP	
41	Libraries, reading halls, study halls, creative arts, archives, museums and other cultural activities	1 or 2 or 3 or 6 or 9 & 14	14	NP	In case of 3,6,9 in residential premises it shall be subject to condition no 18
42	Places of worship, Religious buildings.	1 or 2 & 14,21 & 22	1 or 2 & 14,21 & 22	1 or 2 & 14,21 & 22	
43	Multipurpose Community halls, welfare centers,	1 or 2 or 3 & 14	1 or 2 or 3 & 14	NP	In case of 3 in residential premises it shall be subject to condition no 18
44	Commercial halls, exhibition halls ,Marriage halls, Auditorium, clubs, assembly or concert halls, dance and	1 or 2 or 3 & 16	1 or 2 or 3 or 4 or 5 or 6 &	NP	In case of 3 in residential premises it shall be subject to condition no 18. Additional 3.0

**PART-VII LAND USE CLASSIFICATION AND USES PERMITTED**

Sr. No.	Uses and Occupancies	Conditions/Parameters under which land uses and occupancies will be permitted in zones			
		R	C	I	Additional Conditions/Parameters
	music studios		16		mt front open space for the traffic management / holding bay shall be provided.
45	Drama theatre, Cinema theatre, Drive-in-theatre	1 or 2 or 3 & 16	1 or 2 or 3 & 16	NP	Minimum front open space of 12 m shall be provided.
46	Gymnasiums,	1 or 2 or 3 or 9	P	NP	In case of 3 or 9 in residential premises it shall be subject to condition no 18,if proposed other than permissible as per regulation no37
47	Radio broadcasting and television studios,	1 or 2 or 3	P	NP	In case of 3 in residential premises it shall be subject to condition no 18
48	Sound recording and dubbing studios/ Preview Theater	1 or 2 or 3 or 6 or 9	P	NP	In case of 3 in residential premises it shall be subject to condition no 18
49	Flour Mill	1 or 2 or 3 or 20 & 18	1 or 2 or 3 or 20 & 17	NP	Power requirement shall not exceed 7.5 KW each
50	Storage and Retail sale of household fuel Storage of liquefied petroleum gas cylinders (bottled gas) for domestic consumption not exceeding 300 kg. in a residential building and not exceeding 8000 kg. in an independent ground floor structure (except a garage) at any one time, with the special permission of the Commissioner and subject to compliance with statutory safety requirements.	1, 14 & 21, 26	1, 21, 26	1, & 21, 26	
51	Vehicles repair/ servicing garages, driving school, repairing garages, without activities of body-building and spray painting,	1 or 6 or 20 & 16,17	1 or 6 or 20,15	P	In case of 6, 20 in residential premises it shall be subject to condition no 18. Employing not more than 9 persons or using 1.5 KW motive power
52	Sale of motor vehicles, parts and accessories, Showrooms for motor vehicles	1 or 2 or 6 & 16,17	16	16	
53	Bus stations, taxi stands, auto-rickshaw stands, Bus Shelters, Bus Depots and Railway stations.	1 & 14 & 23	1 & 14 & 23	1 & 14 & 23	
54	Heliports				Heliports shall be allowed subject to compliance of Regulation No 37(33)
55	Public parking areas, including multistoried parking	14	14	P	

**PART-VII LAND USE CLASSIFICATION AND USES PERMITTED**

Sr. No.	Uses and Occupancies	Conditions/Parameters under which land uses and occupancies will be permitted in zones			
		R	C	I	Additional Conditions/Parameters
56	Cottage Industries,	1 or 2 or 3 or 4 or 6	P	P	In case of 3,4,6 in residential premises it shall be subject to condition no 18
57	Service industrial uses as per table (D) below	1 or 2 or 3 or 6 or 20 &16	1 or 2 or 3 & 16	P	In case of 3,6 in residential premises it shall be subject to condition no 18
58	Service Industrial estates	1 or 2 & 16,17	1 or 2or 3,16 & 17	P	In case of 3in residential premises it shall be subject to condition no 18
59	Collection and disposal of nonhazardous waste	NP	1 or 2 & 19	P	
60	Warehousing,	NP	NP	P	
61	Ware housing activities of hazardous material	NP	NP	25,26,27	
62	Logistics activities and truck terminals	NP	1 & 15, 16	1 & 15	
63	I.T.&I.T.E.S unit/s (pertaining to software only as per IT policy of GoM or Central Govt.)	1 or 2 or 3 or 4 or 9 &14	14	14	In case of 3,4,9 in residential premises it shall be subject to condition no 18
64	Offices, Information Technology Establishment	1 or 2 & 14	1 or 2 or 3 & 14	14	
65	Biotechnology units	NP	NP	14	
66	Wholesale trade and storage	1 or 2 or 3 or 20 & 16,17	1 or 2 or 3 or 6 or 20 &16	1 or 2 or 6 or 20	In case of 3 or 20 in residential premises it shall be subject to condition no 18
67	Prisons	NP	1 or 2 & 22	1 or 2 & 22	
68	a)Trade and other similar schools, not involving any danger of fire or explosion, or offensive noise, vibration, smoke, dust, odour, glare, heat or other objectionable features.	1 or 2 & 16, 17	15	P	
	b) Bakeries, with no floor above, each not occupying for production an area more than 75 sq. m.	1 or 2 & 16, 17,	1 or 2 or 3 or 20	P	Not employing more than 9 persons, if the power requirement does not exceed 4 KW where only electrical ovens are used, an additional heating load upto 12 KVA being permitted.

## PART-VII LAND USE CLASSIFICATION AND USES PERMITTED

Sr. No.	Uses and Occupancies	Conditions/Parameters under which land uses and occupancies will be permitted in zones			
		R	C	I	Additional Conditions/Parameters
	c) Confectioneries and establishments for the preparation and sale of eatable each not occupying for production an area more than of 100 sq. m per establishment. .	1 or 2 or 3 or 6,20 & 16, 17	15	P	Employing not more than 9 persons, motive power not exceeding 1.12 KW in residential zone.  In case of Commercial zone area not in excess of 250 sq. m per establishment, employing not more than 25 persons, motive power not exceeding 10 KW with no floors above over the furnace portion. If only electrical ovens are used an additional load upto 24 KVA may be permitted.
	d) Sugarcane and fruit juice crusher	5 or 20 & 14, 17,18	5	5	Employing not more than 6 persons with motive power not exceeding 1.12 KW
	e) Printing presses	5 or 20 or 16,17,18	14	P	Aggregate motive power each not exceeding 3.75 KW and not employing more than 9 persons and individual electric motors of not more than 1.5 KW.
	f) Battery charging and repairing establishments with an area not more than 50sq.m	5 or 20 or 16,17,18	16	P	Each not employing more than 6 persons and not more than 2 charges with power not exceeding 5 KW
	g) Electronic industry of assembly, but not of manufacturing type,	5 or 20 or 16,17,18	14	P	Area not exceeding 100.00 sq. m. total electric power inclusive of motive power and heating load not to exceed 3.75 KW and employing not more than 9 persons each
69	Research & experimental & testing laboratories	1 or 2 or 3	P	P	Not involving any danger of fire or explosion or of any obnoxious nature and located on a plot not less than 4 ha. in area, provided that the laboratory is at least 30 m. from any of the boundaries of the site and the accessory residential building is at least 30 m. from the laboratory.
70	Industrial manufacturing, fabrication, assembly and processing activities other than Service Industries	NP	NP	P	

**PART-VII LAND USE CLASSIFICATION AND USES PERMITTED**

Sr. No.	Uses and Occupancies	Conditions/Parameters under which land uses and occupancies will be permitted in zones			
		R	C	I	Additional Conditions/Parameters
71	Filling stations of petrol, diesel, compressed natural gas stations and/or any other motor vehicle fuel	1 or 2 or 3,26,16	1 or 2 or 3, 26, 16	26, 16	In case of existing petrol pump, criteria of road width may not be insisted
72	Manufacturing not classified elsewhere	NP	NP	25	
73	Manufacturing, processing & usage of				
	(a)Chemicals, fertilizers, gases, metal compounds, soap, soda, acids, starch, automobiles, boiler works, metals, ceramics, asphalt, ammonia, alcohol, leather processing ,metal processing, paints, varnish, turpentine, dyestuff, tar products, paraffin, gypsum, plaster or plaster of paris manufacture; photographic films manufacture, lime manufacture, match manufacture pesticides, organic industry, match-sticks, fat rendering, fat tallow, grease or lard refining or manufacturing, gelatin or glue manufacture, or processes, involving recovery from fish or animal offal. pyroxylin manufacture;	NP	NP	25,26,27	
	(b)Cellulose manufacture, explosives, fireworks and petroleum & its products ( inflammable)	NP	NP	25,26,27	
74	Ready Mix Plant	NP" except regulation 57(xi)"	NP "except regulation 57(xi)"	P	Subject to NOC from the Environment Department of MCGM

TABLE No. D

Service Industrial users and conditions governing such uses:

Serial No. (1)	Category of Industry (2)	Service Industry permitted subject to			Special conditions, if any (6)
		Maximum permissible power (in KW) (3)	Maximum permissible employment. (4)	Maximum permissible floor area (sq. m) (5)	
I	Food Products-				
	i Ground nut decorticators, ii. Grain mill for production of flour, iii. Manufacture of supari and masala grinding, iv. Rice-hullers, v. Manufacture of milk and dairy products, vi Manufacture of ice- cream and ice candy.	7.5	9	50	
	vii. Manufacture of bakery products	10	25	250	(i) Fuel used shall be electricity, gas or Smokeless fuel. (ii) No floor above the furnace portion (iii) Where only electric oven is used, an additional heating load of 24 KVA permitted per establishment.
	viii. Coffee curing, roasting and grinding.	1.5	9	50	
	ix. Manufacture of ice	45.0	20	250	
	x. Sugarcane and fruit juice crushers	1.5	9	25	
II	Textile and Textile Products-				
	xi. Embroidery and making of crepe laces and fringes.	3.75	9	50	

## PART-VII LAND USE CLASSIFICATION AND USES PERMITTED

	xii. Manufacture of textile goods, such as wearing apparel, curtains, mosquito net, mattresses, bedding material, pillow cases, and textile bags. xiii. Mattress making and cotton cleaning.	2.25	9	50	
III	Wood Products and Furniture-	2.75	9	50	Not permitted under or adjoining a dwelling unit.
	xiv. Manufacture of wooden furniture and fixtures.				
	xv. Manufacture of bamboo and cane furniture and fixtures.	2.25	9	50	
IV	Paper products and Printing Publishing-	3.75	9	50	(i) Manufacture with paper pulp not permitted. (ii) No restrictions on power, number of employees, area of hours of operation shall apply if located in a building on a separate plot not less than 500 sq. m in area and if special permission of the Commissioner is obtained.
	xvi. Manufacturing of containers and boxes from paper board.				
	xvii. Printing and publishing periodicals, books, journals, atlases, maps, envelopes, picture post-cards and embossing.	7.5	9	120	(i) Manufacture with paper pulp not permitted. (ii) No restrictions on power, number of employees, area or hours of operation shall apply, if located in a building on a separate plot not less than 500 sq. m in area and if special permission of the Commissioner is obtained.
	xviii. Engraving, etching, block-making etc.				
xix. Book binding.					
V	Leather products excluding tanning-	3.75	9	50	Manufacture of leather or leather processing not permitted.
	xx. Manufacture of leather footwear.				
	xxi. Manufacture of wearing apparel like coats, gloves.				
	xxii. Manufacture of leather consumer goods such as upholstery, suitcases, pocket books, cigarette and key cases, purses.				
	xxiii. Repair of footwear and other leather products.				



**PART-VII LAND USE CLASSIFICATION AND USES PERMITTED**

VI	Rubber and Plastic Products-	1.5	9	50	
	xxiv. Retreading, recapping and vulcanizing works.				
	xxv Manufacture of rubber balloons, hand-gloves and allied products.				
VII	Metal products-	0.75	9	25	
	xxvi. Tool sharpening and razor sharpening works.				
	xxvii Umbrella assembly works				
VIII	Electrical Goods-	2.25	9	50	No spray painting permitted.
	xxviii. Repairs of household electrical appliances, such as radio and television sets, tape recorders, video sets, heaters, irons, shavers, vacuum cleaner, refrigerators, air-conditioners, washing machines, electric cooking ranges, meter rewinding works.				
	xix. Electronic industry of assembly type.				
IX	Transport Equipment	3.75	9	100	No floor above. No spray painting permitted.
	xxx. (a) Servicing of motor vehicles and motor cycles.				
	(b) Repair of motor vehicles and motor cycles.				
	(c) Battery charging and repairs.	5.0	6	25	
	(d) Repair of bicycles and cycle rickshaws.	3.75	6	50	
X	Other Manufacturing and Repairs, Industries and Services-	2.25	9	50	
	xxxi. Manufacture of jewelry and related articles.				
	xxxii. Repairs of watches, clocks and jewelry.				
	xxxiii. Manufacture of musical instruments and their repairs.				

## PART-VII LAND USE CLASSIFICATION AND USES PERMITTED

	xxxiv. (a) Repairs of locks, stoves, umbrellas, sewing machines gas-burners, buckets and other sundry household equipments.				
	(b) Optical glass grinding and repairs.	2.25	3	50	
XI	xxxv. Petrol filling stations in plot size of 30.5 m. x 16.75 m. and petrol filling and service stations in plot size of 36.5 m. x30.5 m.	7.5	9	No limit	
	Xxxvi Filling stations of Petrol, Diesel, Compressed Natural Gas stations and/or any other motor vehicle fuel in plot size of 30.5 Mt x 16.75 Mt. And filling and service stations. Petrol, Diesel, Compressed Natural Gas Stations and/or any other motor vehicle fuel in plot size of 36.5 mt x 30.5 Mt. and  (B) Filling stations of only Compressed Natural Gas Minimum area of plot 300 sq.mt	(a)15  (b)30 per compressor or (not more than 3 compressor)  (c)150 per compressor (not more than 3 compressor)	9  6  6	No limit  No limit  No limit	(i)quantities in (b) or (c) will be permitted for daughter booster pumping station and on pumping station respectively over(a)  (ii)permissible power mentioned in (b) & (c) will be used exclusively for compressing and filling gas in vehicle  (iii)Special permission of commissioner is necessary after clearance by Maharashtra Pollution Control Board from noise pollution point of view and controller of Explosive and chief fire officer and observance of conditions as they may prescribe.
	Xxxvii Audio, taping recording, manufacture of equipment for the same and recording studio.	4.0	9	50	
	xxxviii Laundries, laundry services and cleaning, dyeing, bleaching and dry cleaning.	4.0	9	50	i) Cleaning and dyeing fluid used should not have a flash point lower than a 59 0 C.  (ii)Machinery having dry load capacity of 20 kg. and above.
	xxxix Data Procession units with use of computer.	4.0	9	50	
	XI Photo-processing, laboratories, Xeroxing, photocopying, videotaping and their laboratories.	3.75	9	50	

**PART-VII LAND USE CLASSIFICATION AND USES PERMITTED**

	xli Repacking and mixing of liquids, powders, pastes etc. not involving any chemical reaction which is non-hazardous in nature.	2.25	9	50	
XII	Xlii Business /Administrative office				
	Xliii Business /Administrative offices of the Service Industry/Small Scale Industry within the same premises			50% of the area under the Service Industry/Small Scale Industry	

Note 1 i) Service industrial uses amended from time to time by government shall be allowed.

ii) With the special permission, Commissioner may from time to time add to, alter or amend the above Tables.

Note 2 :( a) Conditions governing other uses permitted in Residential Zone: The uses permissible in the Residential zone shall be restricted and subject to the conditions below:

(i) A depth of 12 m. measured from the building line along the front portion abutting the street shall be provided.

(ii) Shops, except convenience shopping, may be permitted up to second floor with separate access unless otherwise specified, subject to road having width of 18 m or more, except as stated in condition no 17 of Table B.

(iii) Motive power, no of persons working in shops shall be such that it shall not attract provisions of Factory Act

(iv) Power may be discontinued if the Commissioner is satisfied that the particular use is a nuisance to the residents.

(b)Other uses in the Industries Zone (I-Zone): If a plot in the Industrial Zone (I-Zone) becomes un-buildable for industrial use because of restrictions in the Industrial Location Policy of GoM or restrictions regarding segregating distances under these Regulations, the following uses may be permitted on such plot without maintaining the required segregation distances:

- i. Fuel-stations and service stations/motor garage;
- ii. Parking lots/Parking garages;
- iii. Electric sub-stations, Distribution Sub Station;
- iv. Offices for public utility concerns or organizations
- v. Police stations, Government and Semi-Government offices, municipal sub-offices, fire stations and posts and telegraph offices.
- vi. Warehouses.
- vii. Community Facilities
- viii Convenience shops
- ix. Hotels with rooms not exceeding 75 nos.
- x. Branches of banks with safe deposit vaults

The Commissioner may alter, amend or add to the list of the above uses.

### 3.3 Exceptions

In case of Residential/Commercial/Industrial Zone following exceptions shall apply to the permissible uses:

1) Existing non-conforming uses to continue in certain circumstances:

a) The existing authorized uses in the zone that are not listed in the permissible uses will be allowed to continue and will not be considered as non-conforming.

b) Any lawful use of land/building premises existing before the coming into force of these Regulations may continue even after redevelopment/reconstruction of land/building even if it does not conform to the use provisions of these Regulations provided such non-conforming use is not extended or enlarged except as provided in these Regulations.

c) In case a building accommodating any nonconforming use collapses, is pulled down or is destroyed, any new building on the site shall conform to these Regulations and to the land use prescribed for the plot in DP.

d) In rehabilitation scheme undertaken by Mumbai Repair and Reconstruction Board (A MHADA unit) or Slum Rehabilitation Authority (SRA) or in Dharavi Redevelopment Project (DRP) where a new building is constructed in place of an old building, containing authorized non-conforming uses, the Commissioner may allow the same non-conforming use in new building provided such user is not industrial, hazardous or likely to cause pollution. In case of such rehabilitation scheme in Industrial Zone, authorized residential use may be permitted only in independent building subject to 2 below

e) In case of redevelopment, existing authorized non-residential uses in a residential building will be allowed to be continued on the ground floor, first or second floor or floor above stilts/parking floors or in a separate wing of a building with the special permission of the Commissioner.

f) Any permitted non-conforming uses or those existing prior to 01.04.1962 including industries which are nonhazardous or nonpolluting may be allowed to continue without addition to such non-conforming use

g) *Non-conforming industries.*- Non-conforming industries which are neither hazardous nor polluting and which have been permitted to operate, without any requirement that they may shift to a conforming zone after a specific period, may, with the Commissioner's special permission, be allowed to make additions to start a new process or to manufacture new products, provided the degree of nuisance from the existing unit will in no way be affected by such additions and subject to requirements of these Regulations for such additions.

h) In C and I Zone, if entire building is constructed for non-residential use, the requirement of separate access shall not be insisted upon.

2) Prohibition of Factories in Residential Building in Conforming Zones:

Notwithstanding anything contained in these Regulations, no permission shall be granted for establishing any factory, workshop or work place (for the establishment of which previous permission is required under Section 390 of the MMC Act, 1888) wholly or partly on lands used for residential purposes even if such use is in conformity with these Regulations and the aforesaid Act;

Provided that the uses in a residential building permissible under this Regulation which are compatible with the residential use unless & otherwise specified may be permitted on the ground floor.

3) All Municipal land of the Municipal Octroi Nakas, shown for existing 'Truck Terminus' or otherwise, shall be developed as 'Comprehensive Transport Hub', which will interalia include a bus/truck

terminus and such land shall be considered as falling in Commercial Zone for development apart from primary function and shall be developed as per relevant provisions of these Regulations.

Provided that, if development is proposed by MCGM on its own, then the payment of premium for BUA beyond zonal (basic) FSI, shall not be applicable. However, payment of premium shall be applicable if the project is developed through PPP model/ allowed to be developed through any other agency excluding the area to be handed over to MCGM.

Provided further that in case of combined development of comprehensive transport hub interalia bus/truck terminus along with the Commercial development, area of the parking of vehicles including areas required for maneuverability of vehicles of bus or truck terminus shall be allowed free of FSI.

**3.4 Special Development Zone (SDZ):-** Special Development Zone (SDZ) is a zone which is to be developed predominantly for society at large with emphasis on Affordable Housing, POS and necessary Social infrastructures. The development of SDZ shall be under the provision of regulation 33(8)

Provided that the structures attracting the provisions of Maharashtra Slums Areas (Improvement, Clearance and Redevelopment) Act, 1971 shall be developed under the provision of Regulation 33(10)

**(A) Other Development in SDZ :**

The following uses are also permissible provided, however, no services of any kind or Limited/available services will be provided by the Corporation. No subdivision of the land creating size of plot less than 2.0 ha.

**(I) Institutional Development/ Convention Centre.**

Institutional Development such as Higher & Other educational Institutions, Medical Institutions, Urban Planning Institutions, Financial Institutions & Other Institutions such as Research & Development Institutions shall be permitted subject to the following conditions:

- a. Maximum FSI limit shall be 0.20 (excluding area of DP road). As far as possible, the development shall be at one place of the total land.
- b. Ground coverage shall not exceed 10% of the area of plot.
- c. tree plantation shall be done at the rate of 500 trees/ha on the remaining land excluding the BUA and the surrounding open space/utility space.
- d. Essential residential development for the staff/officer's accommodation shall be permitted up to the extent of 33% of the permissible BUA.

**(II) Development of Cinema and TV Film production,**

Development of Cinema and film production, shooting, editing and recording studios with its ancillary and supporting uses, including Film School with their shooting stages and screening rooms, Performing Art Academy, Students Hostels and faculty residences, Auditoria, Art Gallery, Museums, Preview Theatres, construction of staff quarters, rest rooms, canteens etc. shall be allowed subject to the following conditions:

- a) The total permissible FSI shall not exceed 0.2 (excluding area of DP road).
- b) Out of the permissible BUA equivalent to 0.2 FSI; BUA of supporting uses shall not exceed 1/3 of permissible FSI 0.2.
- c) The construction shall be confined to 10% of the plot and the remaining plot (excluding areas required for parking, roads etc.) shall be planted with trees at the rate of at least 500 trees per ha.

**PART-VII LAND USE CLASSIFICATION AND USES PERMITTED****(III) Information Technology & Information Technology Enabled Services (IT/ITES) & Biotech units**

IT/ITES Parks/Units or, set up by public or private sector; shall be permissible with the special permission of Commissioner, subject to following conditions:

- A) Total FSI shall not exceed 0.20 (excluding area of DP road).
- B) Construction of buildings for IT/ITES shall be permitted to the extent of 20% on 10% of the total plot area and shall be located such that, as much of remaining open space is available in a contiguous manner and on remaining 90% of plot area, trees shall be planted at the rate of at least 500 trees per ha.
- C) The permission from the Director of Industries to set up IT/ITES Parks/Units shall be necessary.

**(IV) Tourism Development Area (TDA)**

Sites or plots identified by the Tourism Department of GoM. in consultation with the MTDC, and as specified by GoM from time to time as suitable for promotion of tourism to serve as holiday or beach resorts, hotels or motels may be included in a Tourism Development Area (TDA), and allowed to be developed for activities like beach resorts, hotels, motels, restaurants, health farms, water sports facilities, arts and crafts complexes, golf courses, gliding, powered gliding, grass skiing facilities, marinas, jetties and pontoons for docking of boats and swimming pools.

If such specified sites are situated in the SDZ , they shall be permitted to be developed for the aforesaid purposes with a FSI 0.50 (excluding area of DP road) notwithstanding anything contained in these Regulations, additional FSI in such Zone shall not be admissible.

Note- If such sites are situated in zone other than SDZ and Natural Area, the FSI permissible shall be that corresponding to the FSI permissible in the respective zones as stipulated in Table 12 of Regulation No.30(1)(A).

Guidelines for identification of TDA and for development to be permitted therein

**(1) General Conditions:**

- i) TDA can be developed by individual or Company or Partnership firm or Govt/Semi-Govt. organization/ corporations.
- ii) These guidelines shall be applicable for TDA, as set out herein below.
- iii) Proposals for lands to be specified as TDA shall be approved by UD department, GOM and shall not be permissible on plot Reserved/Designated for Play Ground/Park/Garden/Any other POS reservation

**TOURISM DEVELOPMENT AREA COMMITTEE**

Proposals for lands to be specified as Tourism Development Area shall be recommended for consideration of Government in Urban Development Department by a Committee consisting of:

1	Secretary, Tourism Development Department Mantralaya	Chairman
2	Metropolitan Commissioner MMRDA	Member
3	Municipal Commissioner, Municipal Corporation of Greater Mumbai	Member
4	Dy. Director of Town Planning, Greater Mumbai	Member

**PART-VII LAND USE CLASSIFICATION AND USES PERMITTED**

5	Representative of Hotel Industries, Mumbai	Member
6	Environmentalist	Member
7	Architect, having 20 years experience in architectural practice.	Member.

This Committee may be called "Tourism Development Area Committee" (TDAC). The persons at 5, 6 & 7 of the Committee may be nominated by Secretary, Tourism Department and the tenure of these members shall change after every 3 years, provided that the same person shall be eligible for reappointment as a Member.

**(2) SIZE OF PLOT AND FSI**

Maximum area permissible as TDA out of a holding in SDZ shall be as follows:-

Special Development Zone		
Total SDZ Holding	Maximum TDA area permissible (fixed) (in ha.)	Maximum FSI Permissible
More than 2 but less than 5 Ha	40%	0.5 FSI over the TDA area subject to premium of 10% of A.S.R. over and above the Zonal (basic) F.S.I. i.e.0.025for SDZ, out of the amount of premium 50% is payable to State Government and 50% payable to MCGM
Equal to or more than 5 Ha but less than 6 Ha	50%	
Equal to or more than 6 Ha but less than 7 Ha	60%	
Equal to or more than 7 Ha but less than 8 Ha	70%	
Equal to or more than 8 Ha but less than 9 Ha	80%	
Equal to or more than 9 Ha but less than 10 Ha	90%	
Equal to or more than 10 Ha	100%	

**Explanation:**

1. After deducting the area of TDA, FSI will be available for the rest of the land in SDZ, as provided for the area in SDZ as per clause (VI) (xii).
2. In case of plots having area more than 2 ha in SDZ , no subdivision of plots shall be permitted.

**(a) Smaller Plots:**

For existing landholders having smaller plots in SDZ, the provisions of promotion of Tourism through bed-and-breakfast type arrangements for tourists shall be permissible, approved by the Govt. in Urban Development Department. These shall have the same FSI as per (A)(VI) of this regulation.

**PART-VII LAND USE CLASSIFICATION AND USES PERMITTED**

**(b)** Prohibition for Inclusion in Tourism Development Land falling in categories specified below shall not be permissible for TDA:

- i. Lands affected beyond permissible levels by pollution in land, water and air, as may be decided and certified by the MPCB.
- ii. Lands covered by mangroves.
- iii. Areas from SDZ directly abutting the Residential Zone without being separated by road having width not less than 18.30 m.

**(c)** Infrastructural Facilities:

All the infrastructural facilities required on site and as specified by the MCGM shall be provided by the developer at his own cost on the site. Proper arrangement for treatment and disposal of sewage and sullage and solid wastes shall be made to the satisfaction of the MCGM and MPCB. No untreated effluent shall be allowed to pass into the sea or any water body.

**(d)** Reserved Sites for Tourism Development:

Where the lands are located in a unique/unusual area, particularly suitable for development of tourism in view of an existing water body, scenic beauty, tree plantations or geological formation can be specified as TDA. The minimum area of such site however shall not be less than 1.00 ha. The floor space index available for development in such a site will be 0.20.

**(e)** Environment:

Places where rare species of migratory birds are known to visit and where there is a heritage of flora and fauna shall be given preference for development as TDA.

(f) The projects identified as Mega Tourism Projects by Tourism and Cultural Affairs Department of the State Govt. under the Tourism Policy of Maharashtra- 2016" shall be governed by the following special provisions :-

Mega Tourism Projects:-

- 1) The ground coverage shall be 1/2 of the plot area under TDA.
- 2) The uses which are not covered under this Regulation like studio and Film School with their shooting stages and screening rooms, performing Arts Academy, Students Hostels and faculty residences, Auditoria, Art Gallery, Museums, Multiplex, Food & Beverage areas and also a combination of compatible uses may be allowed, with the approval of the Urban Development Department of GOM.
- 3) The height up to 70m may be allowed for Building of Film Studio, subject to the provisions of Regulation 47.
- 4) The height of a room in occupancy mentioned at Sr. No.1(e) (ii) of Table15 of Regulation 37, may be permitted for Studio, Museum, Screening Rooms, Multiplex and Auditoria.
- 5) The 35% fungible Compensatory Floor Space Index may be allowed, subject to the provisions of Regulation 31(3).

Note: - The development in the Eco Sensitive Zone and Coastal Regulation Zone shall be governed and regulated as per MoEF's Notification in this regard and Circulars issued from time to time.

**(V) Amusement park:**

Amusement park in a plot of not less than 4 ha. in area, with recreational and amusement devices like a giant wheel, roller coaster, merry-go-round or similar rides, ocean -park, swimming pool, magic mountain and lake, ethnic village, shops for souvenirs, toys, goods, refreshments and beverages shall



**PART-VII LAND USE CLASSIFICATION AND USES PERMITTED**

be permissible with the special permission of commissioner. The Permissible FSI shall not Exceed 0.025 (excluding area of DP road)

- a) The entire land for the amusement park shall vest in a single ownership and the land shall not be sub-divided at any time.
- b) The required infrastructure, like proper and adequate access to the park, water supply, sanitation, conservancy services, sewage disposal and adequate off-street parking will have to be provided and maintained by the promoters of the project at their cost and to the satisfaction of the Commissioner.
- c) The promoters of the project shall provide adequate facilities for collection and disposal of garbage at their cost, and to the satisfaction of the Commissioner and will keep, at all times, the entire environment clean, neat and hygienic.
- d) Structures for ancillary activities, such as administrative offices, exhibition hall or auditorium, restaurant, open air theatre, essential staff quarters, store buildings, fast food shops, museum, souvenir and small shops, ancillary structures to swimming pool, may be permitted
- e) Structures permitted in the amusement park (except those intended for park apparatus, entertainment such as magic mountain etc. and other equipment) should be ground floor structures, with the construction blending with the surrounding environment and landscape.
- f) Except for minor dressing, hills and natural features, if any, shall be maintained in their natural condition and beautified with planting of trees etc.
- g) All trees already growing on the land shall be preserved to the extent possible, except that if it becomes necessary to cut any tree, the required permission of the Competent Authority should be obtained under the law. At least 5 trees per 100 sq. m shall be planted and grown within the area of the park.
- h) Structures, buildings or monuments of historical, aesthetical, architectural, or heritage importance, if any, shall be preserved and maintained properly.
- i) Sufficient parking facilities and ancillary facilities for cars, buses, transport vehicles etc. shall be provided on site as prescribed by and to the satisfaction of the Commissioner and Commissioner of Police.
- j) The promoters of the project will prepare a suitable layout with appropriate land-scaping of the recreational and other facilities and obtain approval of the Commissioner.
- k) No objection certificate of the Tourism Department shall be obtained.
- l) The development shall be regulated according to other requirements of these Regulations and subject to all other clearances as may be required.
- m) Proper arrangements for safety, regulations of traffic approaches to the park etc. shall be made to the satisfaction of the Commissioner of Police from the law and order and traffic aspects.

**(VI) Miscellaneous Uses:**

The following uses shall be permissible where the permissible FSI shall not exceed 0.025 (excluding area of DP road)

- (i) Agriculture, horticulture and animal husbandry (except for keeping animals on a commercial scale), subject to a limit of 10 head of cattle per acre and providing necessary buildings, garages, pig sties, stables and storage buildings
- (ii) Gardens and poultry farms;

**PART-VII LAND USE CLASSIFICATION AND USES PERMITTED**

- (iii.) Forestry;
- (iv.) Golf clubs and links;
- (v.) Public parks, private parks, play fields, stadia, gymkhanas, swimming pools, gliding facilities, temporary camps for recreation of all types.
- (vi.) Race tracks and shooting ranges.
- (vii.) Fish curing on open land/fish farming.
- (viii.) Salt manufacture from sea water.
- (ix.) Public utility establishments such as electric sub-stations, receiving stations, switch yards, overhead line corridors, radio and television stations, receiving stations, main stations for public gas distribution, sewage treatment and disposal works, Storm Water Drain Pumping Station, facilities for the disposal of Solid Waste, water works along with residential quarters for essential staff for such works, with the special permission of the Commissioner.
- (x.) Cemeteries and crematoria and structures incidental thereto.
- (xi.) Structure for watchmen's quarters each not exceeding 20 sq. m numbers of such structures in each plot to be decided by the Commissioner
- (xii.) A residential building, not more than ground and one story with a height not exceeding 9.75 m including the height of stilted portion.

**(VII) Periphery of Vihar and Pawai lake:**

In order to prevent erosion of soil and silting in lakes, an exclusive green belt of 100 m shall be provided around the periphery of Vihar and Pawai Lake, in which no construction whatsoever shall be allowed. If within 100 m from the periphery of Vihar and Pawai lake there exists Municipal/Public Road, then buffer of green belt beyond Municipal/Public Road may not be insisted

**3.5 Deleted****3.6 Deleted****3.7. Natural Areas (N A)**

It is an environmentally sensitive zone amenable to buildable development with the approval of the Competent Authority where following facilities may be permissible

- a) Board walks in mangroves, trekking facilities, Public Sanitary Conveniences for visitors, Sewerage Pumping Station.
- b) Uses permissible as per the notifications issued by the Ministry of Environment and Forest, if any, as amended from time to time.

Note: - 1. Structures constructed in NA, with due sanction of Competent Authority, before coming into force of these regulations stand protected.

2. Reservation proposed in Natural Area shall be allowed to be developed at par with other zones subject to approval of the Competent Authority and subject to compliance of conditions as mentioned in the notifications issued by the Ministry of Environment and Forest, if any, as amended from time to time.

**3.8 Green Zone (GZ)**

It is a large area predominantly with green cover where following facilities may be permissible

- a) Construction of Zoo with FSI of 0.025;
- b) Uses approved by GoM. with permission from the Ministry of Environment and Forest;
- c) Rehabilitation and Resettlement of the original inhabitants of the forest (adiwasis, tribals of Sanjay Gandhi National Park) as per the provisions of Regulation No.30 with Zonal (basic) FSI.

Note: - 1. Structures constructed in GZ, with due sanction of Competent Authority, before coming into force of these regulations stand protected.

2. Reservation proposed in Green Zone if any shall be allowed to be developed at par with other zones subject to approval of the Competent Authority and subject to compliance of conditions as mentioned in the notifications issued by the Ministry of Environment and Forest, if any, as amended from time to time.

**35. Development or redevelopment of lands of cotton textile mills (mills).-**

(1) Lands of sick and/or closed cotton textile mills:-With the previous approval of the Commissioner to a layout prepared for development or redevelopment of the entire open land and built-up area of a sick and/or closed cotton textile mill and on such conditions deemed appropriate and specified by him and as a part of a package of measures recommended by the Board of Industrial and Financial Reconstruction (BIFR) for the revival/rehabilitation of a potentially viable sick and/or closed mill, the Commissioner may allow:-

(a) The existing built-up areas to be utilised-

(i) For the same cotton textile or related uses subject to observance of all other Regulations;

(ii) For diversified industrial uses in accordance with the industrial location policy, with office space only ancillary to and required for such uses, subject to and observance of all other Regulations;

(iii) For commercial purposes, as permitted under these Regulations;

(b) Open lands and balance FSI shall be used as in the Table below:-

Serial No.	Extent	Percentage to be earmarked for Garden/ Playground or any other POS as specified by the Commissioner	Percentage to be earmarked and handed over for development by MHADA for Public Housing/for mill worker's housing as per guidelines approved by Government, to be shared equally	Percentage to be earmarked and to be developed for residential or commercial use (including uses permissible in residential or commercial zone as per these Regulations) or diversified Industrial uses as per Industrial Location Policy, to be developed by the owner
1	2	3	4	5
1	No limit	33	33	34

**(kept in abeyance)**

Notes-

(i) In addition to the land to be earmarked for garden/playground or any other open use as in column (3) of the above Table, open spaces, public amenities and utilities for the lands shown in columns (4) and (5) of the above Table as otherwise required under these Regulations shall also be provided.

(ii) Segregating distance as required under these Regulations shall be provided within the lands intended to be used for residential/commercial uses.

(iii) The owner of the land will be entitled for the FSI as per the Regulation No 30(A) (1) and (4), excluding area of notional plot of residential buildings/chawls located on the lands of Cotton Textile Mills if any.

(iv) Where FSI is in balance but open land is not available, for the purposes of column (3) and (4) of the above Table, land will be made open by demolishing the existing structures to the extent necessary and made available accordingly.

(v) Where the lands accruing as per Columns (3) & (4) are, in the opinion of the Commissioner, of such small sizes that they do not admit of separate specific uses provided for in the said columns, he may, earmark the said lands for use as provided in Column (3); the commissioner may allow any other POS Lands for any Mills received as Municipal Corporation of Greater Mumbai's share of Mill land as per column no.(3), to be earmarked for MHADA in exchange of such plots, for using as per column no. (4), special permission of Commissioner.

(vi) It shall be permissible for the owners of the land to submit a composite scheme for the development or redevelopment of lands of different cotton textile mills, whether under different/common ownership or otherwise, upon which the lands comprised in the integrated scheme shall be considered by the Commissioner in an integrated manner. The land to be handed over as per column no (3) and (4) shall be preferably handed over in the respective land of mills. Provided further that where owner intends to hand over the share of land as per column no (3) and (4) at other mill within the integrated scheme having different stamp duty ready reckoner rate then area to be handed over shall be in proportion to the stamp duty ready reckoner rate of these lands of mills.

(vii) Notwithstanding anything above, the layout of mill land shall be submitted by the mill owner within six months of closure of the mill or within six months from sanction of these Regulations whichever is later and the lands earmarked for MHADA & POS shall be handed over to the concerned Authority within six months after the approval of layout and such period of handing over shall not be more than six months.

**(2) Lands of cotton textile mills for purpose of modernization.**- With previous approval of the Commissioner to a layout prepared for development or redevelopment of the entire open land and/or built-up area of the premises of a cotton textile mill which is not sick or closed, but requiring modernization on the same land as approved by the competent authorities, such development or redevelopment shall be permitted by the Commissioner, subject to the condition that it shall also be in accordance with scheme approved by Government, provided that, with regards to the utilization of built up area, the provisions of clause (a) of sub-Regulation (1) of this Regulation shall apply.

**(3) Lands of cotton textile mills after shifting**--If a cotton textile mill is to be shifted outside Greater Mumbai but within the State, with due permission of the competent authorities, and in accordance with a scheme approved by Government, the provisions of sub-clauses (a) and (b) of Sub-Regulation (1) of this Regulation shall also apply in regard to the development or redevelopment of its land after shifting.

**(4)** The condition of recommendation by the Board of Industrial and Financial Reconstruction (BIFR) shall not be mandatory in the case of the type referred to in sub-Regulations (2) and (3) above.

**PART-VII LAND USE CLASSIFICATION AND USES PERMITTED**

(5) Notwithstanding anything contained above, the Commissioner may allow additional development to the extent of the balance FSI on open lands or otherwise by the cotton textile mill itself for the same cotton textile or related use.

(6) With the previous approval of the Commissioner to a layout prepared for development or redevelopment of the entire open land and/or built up area of the premises of a cotton textile mill which is either sick and/or closed or requiring modernization on the same land, the Commissioner may allow:--

(a) Reconstruction after demolition of existing structures limited to the extent of the built up area of the demolished structures, including by aggregating in one or more structures the built up areas of the demolished structures;

(b) Multi-mills aggregation of the built-up areas of existing structures where an integrated scheme for demolition and reconstruction of the existing structures of more than one mill, whether under common ownership or otherwise, is duly submitted, provided that FSI is in balance in the receiving mill land.

Provided further that FSI on each individual plot of integrated scheme of mill land as per column no 5 of table of sub-regulation 1(b) above (excluding the area of notional plot of residential buildings/chawls located on the lands of Cotton Textile Mills if any) shall not exceed 4 (**Clause 6(b) kept in abeyance**)

(7) Notwithstanding anything contained above---

(a) if and when the built up areas of a cotton textile mill occupied for residential/residential cum commercial purposes as on the 1st of January, 2000 developed or redeveloped, it shall be obligatory on the part of the land owner to provide to the occupants in lieu of each tenement covered by the development or redevelopment scheme, free of cost, an alternative tenement of the size of 405 sq ft carpet area; Provided that no such occupants shall be evicted till such time, he/she is provided with alternative accommodation of the size 405 sq ft carpet area in such development or redevelopment scheme. However, fungible compensatory area as permissible as per Regulation No 31(3) on the rehab component shall not be allowed for residential/ residential cum commercial. Fungible compensatory area as permissible as per Regulation No 31(3) shall be allowed only for nonresidential units or existing authorized area.

For reconstruction/redevelopment to be undertaken by landlord/or Co-op. Housing society of occupiers in respect of residential buildings/chawls located on the lands of Cotton Textile Mills, the following conditions shall apply.

i) In case of redevelopment of buildings occupying part of larger holding, the notional area of plot on the basis of Zonal (basic)FSI and the total built up area of the building shall be computed and thereafter considering such notional area of the plot, FSI of 4.0 shall be allowed.

ii) The FSI computation of 4.00 shall be as follows:

Rehab area shall be the total built up area required for rehabilitation of all the occupants of residential buildings/chawls with the carpet area of 37.63 sq m (405sq. ft) each or existing carpet area whichever is more. In case of authorized non-residential occupier existing on 1st January, 2000 the area to be given in the reconstructed building will be equivalent to the area occupied in the old building. Provided further that each eligible residential cum commercial occupant shall be entitled to a tenement of minimum carpet area of 37.63 sq. m ( 405 sq. ft.). However, fungible compensatory area as permissible as per Regulation No 31(3) on the rehab component shall not be allowed for residential/ residential cum commercial. Fungible compensatory area as permissible as per Regulation No 31(3) shall be allowed only for non residential units or existing authorized area.

Difference between FSI 4.00 and FSI used for rehabilitation of existing occupants shall be used and shared as follow:

**PART-VII LAND USE CLASSIFICATION AND USES PERMITTED**

- a) Available difference shall be divided into two parts in a ratio of 1:60.
- b) Out of these two parts, 1.00 shall be constructed by the mill owners in the form of additional tenements having 27.88 sq. m(300 sq. ft) carpet area each and shall be handed over to MHADA/Government and to be used for rehabilitation of mill workers.
- c) The mill owners shall be entitled for FSI of above 0.6parts as stated in (a) in lieu of construction done and handed over to MHADA/Government.
- d) Construction for rehabilitation of all the occupants of residential buildings/chawls shall be done by mill owner. No incentive FSI against such construction shall be shall be given to landlord/or Co-op. Housing society of occupiers.
- iii) All the occupant of the old building shall be re-accommodated in the redeveloped building.
- iv) In case of the case building, the list of occupants and area occupied by each of them in the old building shall be certified by MHADA and for other building it shall also be certified by MHADA.
- v) In case of dispute the matter shall be referred to the Monitoring Committee and the decision of the committee shall be binding on all parties.
- vi) An amount of Rs. 50.000/- per tenement have to be deposited by developer as a corpus fund with the society of the occupants at the time of completion of construction, for maintenance of the buildings.
- vii) Notwithstanding anything contained in these Regulation, the relaxations incorporated in clause 8 of regulation No. 33(7) of these regulations and amended from time to time, shall apply.
- (B) If and when a cotton textile mill is shifted or the mill owner establishes a diversified industry, he shall offer on priority in the relocated mill or the diversified industry, as the case may be, employment to the worker or at least one member of the family of the worker in the employ of the mill on the 1st January 2000 who possesses the requisite qualifications or skills for the job;
- (C) For purposes of clause (b) above, the cotton textile mill owner shall undertake and complete training of candidates for employment before the recruitment of personnel and starting of the relocated mill or diversified industry takes place.
- (D) Notwithstanding anything contained above, if and when a cotton textile mill is taken up for development / redevelopment for any industrial/commercial purposes, the mill owner or the developer or the occupier of the premises shall on priority provide employment to the worker or at least one member of the family of the worker in the employ of the mill on the 1st January, 2000 who possesses the requisite qualifications or skills for the job.
- (E) Notwithstanding anything contained above, the reconstruction / redevelopment to be undertaken by landlord / or co-op Housing Society of occupiers in respect of residential buildings/ chawls located on the lands of cotton Textile Mills shall be carried out simultaneously with the reconstruction / redevelopment of Mill Land.
- (8)(a) Funds accruing to a sick and/or closed cotton textile mill or a cotton textile mill requiring modernization or a cotton textile mill to be shifted, from the utilization of built up areas as per this Regulation shall be credited to an escrow account to be operated as hereinafter provided.
- (b) The funds credited to the escrow account shall be utilised only for the revival/ rehabilitation or modernization or shifting of the cotton textile mill, as the case may be, provided that the said funds may also be utilised for payment of workers dues, payments under Voluntary Retirement Schemes (VRS), repayment of loans of banks and financial institutions taken for the revival/rehabilitation or modernization of the cotton textile mill or for its shifting outside Greater Mumbai but within the State. The escrow account may be closed after compliance of all the terms and conditions.

**PART-VII LAND USE CLASSIFICATION AND USES PERMITTED**

(9)(a) In order to oversee the due implementation of the package of measures recommended by the Board of Industrial and Financial Reconstruction (BIFR) for the revival/rehabilitation of a potentially sick and/or closed textile mill, or schemes approved by Government for the modernization or shifting of cotton textile mills, and the permissions for development or redevelopment of lands of cotton textile mills granted by the Commissioner under this Regulation, the Government shall appoint a Monitoring Committee under the chairmanship of a retired High Court Judge with one representative each of the cotton textile mill owners, recognised trade union of cotton textile mill workers, the Commissioner and the Government as members.

(b) The Commissioner shall provide to the Monitoring Committee the services of a Secretary and other required staff and also the necessary facilities for its functioning.

(c) Without prejudice to the generality of the functions provided for in clause (a) of this Sub-Regulation, the Monitoring Committee shall:--

(i) lay down guidelines for the transparent disposal by sale or otherwise of built up space, open lands and balance FSI by the cotton textile mills;

(ii) lay down guidelines for the opening, operation and closure of escrow accounts;

(iii) approve proposals for the withdrawal and application of funds from the escrow accounts;

(iv) monitor the implementation of the provisions of this regulation as regards housing, alternative employment and related training of cotton textile mill workers.

(d) The Monitoring Committee shall have the powers of issuing and enforcing notices and attendance in the manner of a Civil Court.

(e) Every direction or decision of the Monitoring Committee shall be final and conclusive and binding on all concerned.

(f) The Monitoring Committee shall determine for itself the procedures and modalities of its functioning.

(10) Notwithstanding anything stated or omitted to be stated in these Regulations, the development or redevelopment of all lands in Gr. Mumbai owned or held by all cotton textile mills, irrespective of the operational or other status of the said mills or of the land use zoning relating to the said lands or of the actual use for the time being of the said lands or of any other factor, circumstance or consideration whatsoever shall be regulated by the provisions of this regulation and not under any other Regulation except TDR and Fungible Compensatory FSI.

However the lands reserved for public purposes which is owned or held by Cotton Textile Mills, shall not be regulated by the provisions of this regulations and reserved lands shall be handed over to MCGM or the Appropriate Authority in lieu of TDR or shall be developed as per the provisions laid down under Regulation No 17

If the residential buildings/chawls are situated on a reserved parcel of land, then land component of the chawl shall be developed as per the provisions of clause (7) of this Regulation without considering the reservation & remaining reserved land shall be developed as per the provisions laid down under Regulation No 17.

11) The provisions of sub Regulation no 1(b) of this Regulation shall not be applicable where the share of MHADA and MCGM land has already been handed over as per then prevailing Regulations.

**(Clause 11 kept in abeyance)**

12) "Notwithstanding anything contained above, the provisions of this regulation will not be applicable to any future amendments which may be proposed in the layouts of existing integrated Development

**PART-VII LAND USE CLASSIFICATION AND USES PERMITTED**

Schemes for Textile Mills which have been approved under Regulations 58 of DCR 1991 and where the proportionate share of land of MCGM/ MHADA as per the approved layout has been handed over to MCGM / Appropriate Authority prior to the coming in force of this regulation”

However, the total permissible FSI in such cases will be restricted to a maximum of 4 FSI. Provided further that in such cases the total permissible FSI may be allowed to be utilized by way of NTC FSI, TDR or Additional FSI by payment of premium in various combinations, at the option of the developer.

**(Clause 12 kept in abeyance)**



## PART VIII GENERAL BUILDING REQUIREMENTS

### 36. Occupancy Load

*Space requirements of various parts of Buildings, etc.*-This Part sets out the standard space requirements of various parts of a building and those of light and ventilation, the building services, fire safety, etc. Some of these items depend on the number of persons who would normally occupy the building, for which the occupant load should be worked out from Table No 13 hereunder:

**Table No: 13**

#### Occupant Load

Serial No. (1)	Type of Occupancy (2)	Occupant load per 100 sq. m. of plinth or covered area (3)
1	Residential	8
2	Educational	25
3	Institutional	6.6*
4	Assembly : (a)With fixed or loose seats and dance floor (b)without seating facilities including dining rooms	166.6** 66.6**
5	Mercantile : (a)Street floor and sales basement (b)Upper sales floors	33.3 16.6
6	Business and Industrial	10
7	Storage, Wholesale establishment	3.3
8	Hazardous	10

\*The occupant load in dormitory portions of homes for the aged, orphanages or mental hospitals, etc. where sleeping accommodation is provided shall be calculated at not less than 13.3 persons per 100 sq m.

\*\* The plinth or covered area shall include, in addition to the main assembly room or space, any occupied connecting room or space in the same storey or in the storeys above or below, where entrance is common to such rooms and spaces and they are available for use by the occupants of the assembly place. No deductions shall be made in the plinth/covered area for corridors, closets and other sub-divisions; that area shall include all space serving the particular assembly occupancy.

### 37. Requirements of parts of buildings

(1) **Plinth:** The plinth or any part of a building or outhouse shall be so located with respect to the surrounding ground level that adequate drainage of the site is assured.

(i) **Main Building:** The height of the plinth shall not be less than 30 cm with respect to the surrounding ground level or plinth shall not be less than 15 cm with respect to the surrounding ground level in case

of stilt/covered parking spaces. In areas subject to flooding, the height of the plinth shall be at least 60 cm above the high flood level or shall be at least 45 cm above the high flood level in case of stilt/covered parking spaces. Architect on record shall certify that the plinth has been proposed after taking due cognizance of High Flood Level (HFL) with reference to available Contour map.

(ii) **Interior court-yards, covered parking spaces and garages:** These shall be raised at least 15cm above the surrounding ground level and shall be satisfactorily drained.

**(2) Habitable Rooms/Rooms:**

(i) **Size and Width:** The minimum size and width shall be as given in the Table No 14 hereunder.

**Table No: 14**

**Minimum size and width of Habitable Rooms**

Serial No. (1)	Occupancy (2)	Minimum size in sq.m (3)	Minimum width in m (4)
1	Any habitable room.	----	2.4
2	Rooms in a two-room Kitchen tenement & above one of the rooms.	----	2.4
	other room/rooms	----	2.4
	Kitchen	--	1.8
3	One room Kitchen tenements one room	----	2.4
	Kitchen	----	2.1
4	Multipurpose Room (with provision of alcove)	12.5	2.4
5	Single-bedded room in a hostel.	7.5	2.4
6	Shop	6.0	1.2

Serial No. (1)	Occupancy (2)	Minimum size in sq.m (3)	Minimum width in m (4)
7	Vending stalls & kiosks	3.0	1.2
8	Class room in an Educational building	38.0 or area at the rate of 0.8 sq.m. per student or as decided by Govt. from time to time.	5.5
9	Institutional building (a) special room ..	9.5	3.0
	(b) general ward .. ..	40.0	5.5
10	Bathroom	1.50	1.10
11	Water Closet (W.C.)	1.10	0.90
12	Combined Bathroom and Water Closet (W.C.)	2.20	1.10
13	Cinema hall, theatre, auditorium, assembly hall, etc.	In conformity with the Maharashtra Cinema Rules.	
14	Multiplex/Multiplex theatre complex	In conformity with the Bombay Entertainment Duty Act 1923, Revenue and Forest Dept. Govt. of Maharashtra.	

(ii) **Height-**(i) The minimum and maximum height of a habitable room shall be as given in Table No 15 hereunder: -

(ii) Notwithstanding the above restriction as stated in Table No. 15, any telematics equipment storage or erection facility can have a height as required for effective functioning of that system.

(iii) Notwithstanding the above restrictions as stated in Table No.15, for cinema/TV films production, shooting, editing, recording studios, more height as required for their effective functioning shall be permitted.

Table No: 15

## Height of Habitable Room/s

Sr. No.	Occupancy	Minimum height in meters (m)	Maximum height in meters (m)
(1)	(2)	(3)	(4)
1.	Flat roof. (a) Any habitable room	2.75	4.2
	(b) Bathrooms, Water Closets, combined Bath & WC (Measured from the surface of the floor to the lowest point of the ceiling)	2.2	4.2
	(c) Air-conditioned habitable room.	2.4	4.2
	(d) i) Assembly halls, residential hotels of all types, institutional, educational, industrial, hazardous or storage occupancies, departmental stores, malls, entrance halls and lobbies to departmental stores and assembly, Data Centre, Data ware house, Large/ Big Box Retailors	3.6	6.0*
	ii) IT buildings, office buildings	2.75	4.2*
	(e) i) Exhibition cum Convention Centre, Sport facility requiring more height	4.2	8.8*
	ii) Sound Recording/Film Studio, Warehouse	4.2	12*
	(f) Shops.	2.75	4.2
2.	Pitched roof – (a) Any habitable room	2.75  (average with 2.4 m at the lowest point)	4.2  (Average with 2.8 m at the lowest point).

\* Subject to the special permission of the Commissioner greater height may be permitted.

Provided that- (i) the minimum clear head-way under any beam/tie beam of pitched roof shall be 2.4 m.

(ii) In all occupancies except those included in Sr. No. 1(d) & (e) in the table above, any height in excess of 4.2 m shall be deemed to have consumed an additional F.S.I. of 50% of the relevant floor area.

(iii) Other requirements- One full side of a habitable room must abut an exterior open space same as provided in sub-regulation(2) of Regulation 41.

(iv) Other Requirements of Kitchen- Every room to be used as a kitchen shall have-

- (a) unless separately provided in a pantry, means for the washing of kitchen utensils which shall lead directly or through a sink to a grated and trapped connection to the waste pipe;
- (b) on an upper floor, an impermeable floor;
- (c) at least a window not less than 1 sq.m in area, opening directly on to an interior or exterior open space.

**(3) Bathroom and water closets:**

(i) A sanitary block consisting of a bathroom and water closet for each wing of each floor at each mid-landing staircase level/stilt/podium/parking floor of the building for the use of domestic servants engaged on the premises may be permitted by the Commissioner

**(ii) Other Requirements Bathroom or Water Closet**

- (a) Every bathroom or water closet shall be so situated that at least one of its walls shall abut on to an exterior open space or an interior/exterior chowk or ventilation shaft of the size specified in clause (a) of sub-regulation (8) of Regulation 41 or a ventilation shaft of the size specified in sub-regulation (2) of Regulation 40 with the openings (windows, ventilators, louvers) not less than 0.3 sq.m in area or 0.3 m in width.
- (b) No bathrooms or water closet shall be situated directly over any room other than another water closet, washing place, bathroom or terrace unless the said floor is made impervious with adequate water-proofing treatment. However, in no case shall a water closet or bathroom be provided over a kitchen.
- (c) Every bathroom or water closet shall have the platform or seat or flooring made of water-tight non-absorbent material.
- (d) It shall be enclosed by walls or partitions and the surface of every such wall or partition shall be finished with a smooth impervious material to a height of not less than 1m above the floor of such a room.
- (e) It shall be provided with an impervious floor covering sloping towards the drain with a suitable grade and not towards a verandah or any other room.
- (f) Every water closet and/or a set of urinals shall have a flushing cistern of adequate capacity attached to it.
- (g) All the sewerage outlets shall be connected to the municipal sewerage system. Where no such system exists, a septic tank shall be provided within the plot conforming to the requirements of sub-regulation 27 of Regulation 37.

**(4) Loft:**

- (i) Location: Lofts may be provided over kitchens, habitable rooms, bathrooms, water closets and corridors within a tenement in residential buildings, in shops and in industrial buildings.
- (ii) Height: The height of the loft shall not be more than 1.5 m. If it exceeds 1.5 m, it shall be counted towards FSI.
- (iii) The lofts in non-residential buildings shall be located at least 2 M away from the entrance.

**(5) Mezzanine Floor:**

(i) The aggregate area of mezzanine floor in any room shall not exceed 50% of the BUA of that room. The size of mezzanine floor shall not be less than 9.5 sq.m if it is used as a living room. The area of the mezzanine floor shall be counted towards FSI.

Provided, however, that in existing authorized buildings having no balance FSI, area of the mezzanine floors constructed prior to 15th August, 1997 without approval, may be exempted from FSI with special permission of the Commissioner subject to the terms and conditions and payment of premium as may be specified by the Commissioner.

Note- (i) Lofts having head room more than 1.5 m above shall be treated as mezzanine floor.

(ii) Height-The minimum height/head-room above a mezzanine floor shall be 2.2m. The head-room under a mezzanine floor shall not be less than 2.2m.

(iii) Other Requirements-A mezzanine floor may be permitted over a room or a compartment, if

- (a) it conforms to the standards of living rooms in regard to lighting and ventilation in case its size is 9.5 sq. m or more;
- (b) it is so constructed as not to interfere under any circumstances with the ventilation of the space over and under it;
- (c) no part of it is put to use as a kitchen/sanitary block;
- (d) it is not closed, so that it could be converted into an unventilated compartment;
- (e) it is at least 1.8 m away from the wall deriving access of such room;
- (f) access to the mezzanine floor is from within the respective room below only;
- (g) where it is in an industrial building, NOC from the relevant authorities of the Industries Department is obtained for the additional floor area.

**(6) Garage:**

(i) *Size*-The size of a private garage shall not be less than 2.5 m x 5.5 m or 2.3 mx 4.5m as provided in clause (ii) and the note under it in sub-regulation (1) of Regulation 44.

(ii) *Location*-If not within the building the garage may be located at its side or rear, but at least 7.5 m away from any access road.

(iii) Area of garage shall be counted in FSI & it shall be at least 1.5m meter away from compound wall.

*Explanation:* For purposes of this Regulation, the term "garage" means a detached ground floor structure in the open space of the plot or on the ground floor of a building and intended for parking or shelter of mechanically controlled vehicles but not for their repairs.

**(7) Basement:**

(i) The basement may be allowed to be constructed beyond building line in the required front open space under the provision of these regulations provided clear distance of 3.0 m between plot boundary/edge of road and basement line is maintained. The open spaces from the other boundaries of the plot except front open space shall not be less than 1.5 m. Basement may be at one level or more.

Provided further that if total depth of basements exceed beyond 8.4 m then the open spaces from the boundaries of the plot shall be increased by 1.5 m for every 8.4 m or fraction thereof beyond the open spaces as described above.

- (ii) Height- The height of the basement from the floor to the underside of the roof-slab or ceiling or under side of a beam when the basement has a beam shall not be less than 2.4 m. The height of basement below soffit of the slab shall not be more than 3.9 m. In case of mechanical parking more height as per the requirement may be allowed.
- (iii) Ventilation- The extent of ventilation shall be the same as required by the particular occupancy for which the basement is used. Any deficiency must be made good by resort to a mechanical system, viz. blowers, exhaust fans, air-conditioning system, according to the standards in Part VIII Building Services Section I-Lighting and Ventilation, NBC.
- (iv) Uses permitted – A basement may be put to the following uses only:
- (a)(i) Storage of household or other non-hazardous goods;
  - (ii) Store rooms, bank lockers or safe deposit vaults;
  - (b) Air conditioning equipment/AHU and other machines used for services and utilities of the building;
  - (c) Parking spaces;
  - (d) DG set, meter room and Electric substation (which will conform to specified safety requirements);
  - (e) Effluent Treatment Plant, suction tank, pump room, Water Treatment Plant, Sewerage Treatment Plant, Laundry Room, Boiler Room;
  - (f) MRI, Cancer Radiation Area, X-Ray rooms and other uses allowed by GoM. from time to time;
  - (g) Shops and offices, recording studio;
  - (h) Commercial user except kitchen with flame. (kitchen without flame may be permitted)
  - (i) Sanitary facility
  - (j) Play area for school if other ancillary uses have not been proposed at that level of basement.
- Provided that the uses mentioned at (a), (g), (h) & (j) above shall be permitted in the 1st basement and the uses as mentioned in (f) above shall be permitted in lower basement only by counting in FSI subject to compliance of requirements of habitable rooms subject to following conditions:
- i) All requirements regarding access, safety (including fire safety), ventilation, etc. shall be complied with.
  - ii) All the planning standards (particularly as regarding parking) should be strictly adhered to.
- (v) Other Requirements-Every basement shall meet the following specifications:
- (a) The ceiling of an upper basement shall be at least 0.6 m and not more than 1.2 m above the average surrounding ground level within the building line & may be flush with the average surrounding ground level beyond building line, Provided further that the height of basement above average surrounding ground level within building line may be reduced up to 0.15 m case of stilt and 0.30 m in case ground floor, when basement beyond building line is flush with average surrounding ground level, subject to provision of artificial light and ventilation.
  - (b) Adequate arrangements shall be made to ensure that surface drainage does not enter the basement.
  - (c) The walls and floors of the basement shall be water-tight and the effect of the surrounding soil and moisture, if any, should be taken into account in design and adequate damp-proofing treatment shall be given.

- (d) Any access to the basement through a staircase or pedestrian ramp shall meet requirements of clause (16) of this Regulation. Open ramps may be permitted in the open spaces except in the front open space within plot boundary, subject to (b) above and the fire protection requirements.
- (e) Any access to the basement through vehicular ramps shall meet the requirements of item, (ii) of clause (16) of this Regulation.
- (8) Cabin:** Where cabins are provided, a clear passage not less than 0.9 m wide will be maintained. The size of a cabin shall not be less than 3 sq. m and the distance from the farthest space of cabin to the nearest exit shall not be more than 18.5 m. If the cabin does not derive direct light and ventilation from any open spaces/mechanical means, its maximum height shall be 2.2 m.
- (9) Office Room:** In every residential / non-residential building, constructed or proposed to be constructed for the use of a co-operative society or an apartment owners' /lessee's association, an office room one for each society will be permitted on any floor or parking floors or stilt floor. In an already developed property, it may be on an upper floor. The area of the room inclusive of toilet shall be limited to 20 sq. m.
- (10)(a) Letter Box Room:** A separate letter box room of appropriate dimensions shall be provided on the ground floor /stilt floor/over podium or any other convenient location in residential, commercial and industrial occupancy in each wing.
- (b) Letter Boxes-** Letter boxes of appropriate dimensions shall be provided at a convenient location on the ground floor/stilt floor/over podium or any other convenient location for every unit of residential, commercial and industrial occupancy in each wing.
- (11) Electric Meter/Service Utility Room:** An independent and ventilated Electric meter/Service utility room directly accessible from the outside common areas shall be provided on ground floor and/or on upper floors/Podium/Parking floor and in the first basement floor with proper ventilation, according to the requirements of the electric supply undertaking. The door to the room shall have fire resistance of not less than two hours.
- (12) Refuse Chute/Garbage Chute:** In all residential buildings, refuse chutes/garbage chute may be provided with openings on each floor or on mid-landing. Design and specifications of refuse chutes shall be in accordance with provisions of IS 6924.
- (13) Corridor:** The minimum width of a common corridor shall be as shown in Table No 16 hereunder. Provided that any corridor identified as an exit (vide Regulations 47) shall also conform the requirements therein.
- (14) Door:** Doors shall conform to the under mentioned provisions. In addition, in order to satisfy fire-fighting requirements, any doorway identified as an exit shall conform to the requirements stipulated in Regulation 47,
- (i) **Width-** A door shall be at least 0.9 m wide, except that doors to bathrooms, water-closets or stores may at least be 0.7 m wide.
- (ii) **Height-** The minimum height of a doorway shall be 2 m.
- (15) Stairway:** Stairways shall conform to the following provisions in addition to items (i) to (ix) below. In addition, in order to satisfy fire-fighting requirements, any stairway identified as an exit stairway shall conform to the requirements stipulated in Regulation 47
- (i) **Width-** The minimum width of a staircase other than a fire escape shall be as given in Table No 16 hereunder.



Table No: 16

**Minimum width of common Stairways/Corridors for various occupancies.**

Sr. No.	Type of Occupancy	Minimum width of stairway/corridor (in meters) for buildings upto 70.00 m height	Minimum width of stair- way/corridor (in meters) for buildings more than 70.00 m height
1	Residential buildings-		
	(a) General	1.50	2.00
	(b) Row housing (2 storeyed) or internal staircase in duplex flat	0.90	-
	(c) Hotels	1.50	2.0
2	Educational buildings		
	(a) Upto 32 m high	1.50	-
	(b) Over 32 m high	2.0	-
3	Institutional buildings	1.50	2.0
4	Assembly buildings	2.0	2.0
5	Mercantile storage, hazardous buildings	1.50	2.0
6	Industrial Building	2.00	

**Note:**

Width of stairways or corridor in case of 1(b) above shall be limited to 1.20 m.

(ii) *Flight*- No flight shall contain more than 12 risers, but in residential buildings, in narrow plots a single flight staircase may be permitted.

(iii) *Risers*- The maximum height of a riser shall be 17.50 cm in any occupancy. However, on an internal stairway within a dwelling unit a riser may be 25 cm high.

(iv) *Treads*- The minimum width of the tread without nosing shall be 25cm for staircases of a residential building, other than fire escapes. In other occupancies, the minimum width of the tread shall be 30cm it shall have a non-slippery finish.

(v) *Head-room*- The minimum head-room in a passage under the landing of a staircase and under the staircase shall be 2.2m.

(vi) *Floor Indicator*- The number of each floor shall be conspicuously painted in figures at least 15cm large on the wall facing the flights of a stairway or at such suitable place as is distinctly visible from the flights.

(vii) *Hand rail*- Handrails with a minimum height of 0.9m from the center of the treads shall be provided.

(viii) Except for the row houses or for the internal staircase of a duplex tenement, no staircase shall be made of wooden or other combustible material.

(ix) Corridors and Stairway side identified as fire exits shall conform to other relevant provisions of National Building Code.

**(16) Ramps:**

**(i) Ramps for pedestrians-**

(a) **General:** The provision applicable to stairways shall generally apply to ramps. A ramp in a hospital shall not be less than 2.25 m wide. In addition, to satisfy the fire-fighting requirements, a ramp shall conform to sub-regulation (7) of Regulation 48

(b) **Slope:** A ramp shall have a slope of not less than 1 in 8 for vehicular traffic & 1 in 12 for pedestrian. It shall be of non-slippery material.

Handrail- A handrail shall be provided on both the sides of the ramp with minimum height of 0.90 m above the surface of the ramp.

a) For every 9 m of ramp length, a landing of 1.5 m shall be provided

b) Landing of minimum 1.5 m length shall be provided at every entry & exit of ramp.

(ii) **Ramps for basement or podium, multi-storeyed parking-** For parking spaces in a basement and upper floors, ramps of adequate width as tabulated below and adequate slope shall be provided preferably at the opposite ends. Such ramps may be permitted in the side and rear marginal open spaces after leaving sufficient space for movement of fire-fighting vehicles subject to the provision of sub-regulation (7) of Regulation 48. Provided that, when a building abuts 3 or more roads, then ramps shall be allowed in front marginal open space facing the road having least width. Alternatively, for ingress & egress of vehicles minimum two numbers of car lifts for vehicles up to 200 parking and one additional car lift for every 100 parking beyond 200 parking or part thereof shall be provided.

Sr. No	Type of Vehicle	Clear width of Ramp in meters(m)	
		One Way Ramp	Two Way Ramp without central divider
I	Light Motor Vehicle (LMV)	3.00	6.00
ii	Medium Commercial Vehicle (MCV)	3.50	7.00
iii	Heavy Motor Vehicle (HMV)	4.50	9.00

Note- a) In case of two-way ramp with dividers, each carriageway will be considered as one way ramp.

b) At turnings, width of ramp mentioned above shall be enhanced/increased for smooth maneuvering as per the sketch of Annexure 23 appended herewith.

c) The gradient of the ramp shall not be more than 1 in 8.

d) Separate provision for ingress & egress shall be made.

**(17) Lifts:** Lifts shall conform to the provisions given below and to the provisions of sub-regulation (2) of Regulation 50.

(i) At least one lift shall be provided in every building more than 16m in height. In case of buildings more than 24m high at least two lifts shall be provided in order to serve each dwelling unit. One of

these lifts shall be fire lift & shall be in conformity with the fire safety regulations. It shall be ensured that atleast one lift must serve access to the lowest level of basement & may also extend up to terrace floor except in areas where civil aviation and other restrictions operate.

(ii) *Other requirements.* -

- a. The number, type and capacity of lift shall satisfy the requirements of part 8, Sec.5, and those of Installation of Lifts and Escalators National Building Code of India and modified provision thereof from time to time.
- b. At ground floor level, a grounding switch shall be provided to enable grounding the lift cars in an emergency.
- c. The lift machine room shall be separate and no machinery other than required for the lift shall be installed therein.
- d. The number of each floor shall be conspicuously painted in figures at least 15cm. large on the wall opposite the lift/lifts opening or on other suitable surface so as to be distinctly visible from the lift cage.
- e. In high rise residential buildings having height more than 70m, one of the lifts installed shall be a freight lift. The freight lift will be designed in such a way that it shall serve as stretcher lift also.
- f. A new lift with passage thereto in an existing building with height up to 16m may be permitted with the permission of the Commissioner.

**(18) Porch:** A porch, if any, shall be at least 1.5 m clear of the plot boundary, shall have a level difference of 0.3 m in relation to the level of the floor; the area of a porch upto 5.5 m in length (parallel to the main building) shall not be counted towards FSI. A parapet wall 0.23 m in height is permissible over a porch. The Commissioner may permit larger porches for mercantile, institutional, IT, Mall, Commercial, hotel and public buildings.

**(19) Canopy:** A cantilevered and un-enclosed canopy with level difference of 0.3 m in relation to the floor level may be permitted over each entrance and staircase, if a clear distance of at least 1.5 m is maintained between the plot boundary and the outer edge of the canopy. The minimum clear height of the canopy shall be 2.2 m. The Commissioner may permit larger canopies for mercantile, institutional, IT, Mall, Commercial hotel and public buildings.

**(20) Balcony:** Balconies may be permitted at each floor.

(i) No balcony shall reduce the minimum marginal open space to less than 3 m at the rear and sides and 1.5m in the front. The width of the balcony will be measured perpendicular to the building line and reckoned from that line to the balcony's outermost edge. Balcony shall not be enclosed. Balcony shall not be permissible on ground floor.

**(21) Roof:**

(i) Effective drainage of rain water- The roof of a building shall be so constructed or framed as to permit effective drainage of the rain water there from by means of rain water pipes at the scale of at least one pipe of 10cm diameter for every 40-sq.m of roof area. Such pipes shall be so arranged, jointed and fixed as to ensure that the rain water is carried away efficiently.

(ii) Rain water pipes shall be connected to Rain Water Harvesting system, if required to be provided under these Regulations or to a drain through a covered channel formed beneath the public footpath to connect the rain water pipes to the road side storm water drain or in any other approved manner.

(iii) Manner of fixing rain water pipes- Rain water pipes shall be affixed to the outside of the walls of the building or in recesses or chases cut or formed in such walls or in such any other manner as may be approved by the Commissioner.

**(22) Common Terraces:** Common Terraces shall not be sub-divided and shall be accessible by a common staircases/lift. The terraces may be used for additional recreational green area over and above the mandatory LOS requirement under these Regulations, provided that the terrace shall be designed and made impervious considering recreational green area. The terraces will also serve as community open spaces for the occupants of the building. The terraces may allowed for roof top farming/ gardening Overhang of terrace to the extent of 1.20 m beyond building line subject to requirement of open spaces as per Regulation no 42(e) & 42(f) may be allowed from elevation point of view.

Provided further that completely commercial buildings including buildings of residential hotels, terraces may be permitted to be used as restaurant; subject to condition that no inflammable material shall be used and safety and security shall be ensured. No construction whatsoever, temporary or permanent, except service platform & toilet block, shall be permissible.

**(23) Parapet:** Parapet walls and hand-rails provided on the edges of the roof terrace, balcony, etc. shall not be less than 1.50m from the finished floor level Parapet wall having height more than 1.50m may be allowed on top most common terrace level with the approval of commissioner. For the height of building beyond 32 m & up to 70 m parapet wall of height 2 m, for the building height beyond 70 m parapet wall with height up to 5 m with 60% voids in surface area beyond height of 1.30 m only on two sides of common terrace may be allowed.

**(24) Boundary wall and main entrance:**

**(i) Boundary wall-**

(a) Except with the permission of the Commissioner, the maximum height of a boundary wall shall be 2.4 m above the surrounding ground level of plot. A boundary wall more than 2.4 m height may be permitted if the top 0.9m is of open type construction, to facilitate through vision.

(b) At a corner plot, the height of the boundary wall shall be restricted to 0.75m for a length of 10m on the front and side of the inter-section and the balance height of 0.75m if required in accordance with (i) above may be made up of open type construction (through railings).

(c) The provisions of (a) and (b) above will not apply to the boundary walls of correction facilities (jails/prison/remand home).

(d) In case of transformer stations, institutional buildings like sanatoria, hospitals, educational buildings like schools, colleges, including hostels, industrial buildings and other uses of public utility undertakings, a height upto 2.4m may be permitted. However, in case of electric sub-stations a height up to 3.6 m may be permitted.

(e) In case a boundary wall around a POS such as Play Ground, is contemplated, the height of Boundary shall not be preferably higher than 0.45 m & shall have width of 0.45 m or wider (in any case the height of boundary wall shall not exceed 1.50 m or as per the requirements of Commissioner) with smooth top finish which can be comfortable for sitting purpose. However, for Gardens & Parks boundary wall up to 1.5 m height may be permitted if the top 0.9 m is of open type construction, to facilitate through vision.

(ii) **Main Entrance-**The main entrance to a plot accommodating a high rise or a special building shall be at least 4.5m wide and shall be so designed as not to obstruct easy movement of a fire-engine or truck. The entrance gate to it shall open inside and fold back against the compound wall.

Provided further that ornamental entrance gate with the height not less than 4.5m or as required for movement of fire Engine shall be permissible.

**(25) Bore well/Tube well/Open well:**

- (a) May be constructed with the locational approval from the Hydraulic Engineering Department of MCGM.
- (b) The construction shall be as per the provision of State Ground Water Survey Department.

**(26) Overhead Tanks:** Every overhead water storage tank shall be maintained in proper hygienic condition. The distance between terrace & soffit of the overhead water tank shall not exceed 1.5 m. The construction of the water storage tanks shall be as per the guidelines issued by Hydraulic Engineering Department of MCGM.

**(27) Septic Tanks-Location and sub-soil dispersion:** A sub-soil dispersion system shall not be closer than 12m to any source of drinking water such as a well, to mitigate the possibility of bacterial pollution of water supply. It shall not be closer than 3 m from Tube well/Bore well. It shall also be as far removed from the nearest habitable building as economically feasible but not closer than 2 m to avoid damage to the structure.

The construction of septic tank shall be carried out as per the relevant provisions of IS Code 2470-1985 Part I & II.

**(28) Yogalaya or Fitness Centre:** In every residential building, either existing or constructed or proposed to be constructed for the use of existing or proposed Co-Operative Housing Society or an Apartment Owners Association, a Yogalaya or Fitness Centre including toilet facilities will be permitted subject to following conditions:

- i. The application for the proposed Yogalaya or Fitness Centre shall be made by the Registered Co-Operative Housing Society/Apartment Owners Association of the buildings that has been issued the occupation certificate/BCC. The owner/developer may make an application for proposed Yogalaya or Fitness Centre with registered undertaking stating that constructed Yogalaya or Fitness Centre shall be handed over to proposed Co-Operative Housing Society/Apartment Owners Association; and in turn shall ensure the handing over on completion.
- ii. The area of such center shall be allowed free of FSI equivalent to 2(two) percent of the total BUA for every building distributed as desired.  
Any additional BUA, in excess of this limit would be counted towards FSI.
- iii. The center shall not be used for any purpose other than for fitness centre activities and Reading Room.
- iv. The Yogalaya or Fitness Centre activities shall be exclusively confined for to the members of the concerned housing society or an Apartment Owners Association.
- v. The ownership of the premises of the Yogalaya or Fitness Centre shall vest only with the concerned society or the apartment owner's association as the case may be.
- vi. In case of larger layout where there is existing/proposed Club House in layout RG under Regulation 27 of these regulations, then the Yogalaya or Fitness Centre in the individual building shall not be permissible free of FSI.

**(29) Special Provisions for Institutional, Assembly, Business or Mercantile and Industrial Buildings:** A Crèche of minimum 40 sq. m BUA shall be provided for Institutional, Assembly, Business or Mercantile Building where total number of employees is 1000or more.

**(30) Parking floor:** The parking floors above ground/stilt floor within building line, for the provision of parking, accessible either by ramp or by minimum two car lifts up to 200 parking and one additional car lift for every 100 parking beyond 200 parking or part thereof. The height of the parking floor shall not be more than 2.4m below soffit of the beam & maximum height of the floor permitted in this regulation below soffit of slab. In case of mechanical parking more height as per the requirement may be allowed.

**(31) Podium:** A podium may be permitted in plot measuring 1000 sq. m or more.

The podium provided with ramp may be permitted in one or more level, total height not exceeding 32 m above ground level.

Podium not provided with ramp but provided with car lifts may be allowed subject to minimum two numbers, for vehicles up to 200 parking and one additional car lift for every 100 parking beyond 200 parking or part thereof.

The podium shall be used for the parking of vehicles, provision of DG set, and substation as per requirement of electric supply company. Further, drivers' room, toilet block, society office, Air Handling Unit (AHU) and Yagalaya or Fitness Centre, swimming pool on top most podium open to sky may also be permitted without affecting recreational area if provided and if other requirements of these Regulations are fulfilled.

The LOS as laid down under Regulation No 27, may be provided as per note therein. The additional LOS, if any, may be provided on the podium.

Podium may be allowed to be constructed beyond building line in the required front open space under the provisions of these Regulations provided clear distance of 3.0 m between plot boundary/edge of road and podium line is maintained.

Such podium may be extended beyond the building line in consonance with provisions of DC Regulation 47(1)

Ramps may be provided in accordance with DC Regulation 37(16).

**(32) Service Floor:** A service floor of height not exceeding 1.8 m may be provided in a building exclusively for provision/diversion of services. Provided further that a service floor with height exceeding 1.8 m may be allowed in a building of medical use or in building having height more than 70 m with the special permission of Commissioner with reasons recorded in writing.

**(33) Helipad:** A helipad may be allowed on the rooftop of the building subject to

- (i) structural stability certificate from the registered Structural Engineer,
- (ii) All other statutory permissions.
- (iii) unrestricted access as required by MCGM/any Government agencies in case of emergency and submission of registered undertaking to that effect.

### **(38) Special Design Requirement For**

#### **(I) Educational Building:**

- (1) In addition to the class-rooms and other areas, every educational building shall be provided with-
  - (a) a tiffin room with a minimum area of 18 sq. m for every 800 students or part thereof;
  - (b) a separate tiffin room for teachers where strength of students exceeds 1000;
  - (c) a room/space with drinking water facilities for every 300 students or part thereof on each of the floors.

These requirements may be amended by the Commissioner in consultation with the Education Department of the State Government.

(2) *Play Ground-*

(a) In case of educational development by Educational Institution on their vacant land, at least 40% of the plot area at one place (inclusive of recreational area as required under Regulation No 27 shall be provided mandatorily for Play Ground. However as per these Regulations, for the educational purpose if additional FSI is due, then while allowing said due FSI, it is not necessary to increase the area of Play Ground.

(b) In case of educational development by Educational Institution on their land, if additional FSI is due and if the existing open area is less than 40% of the plot area, additional FSI can be sanctioned as per these regulations without reducing the open area further and without increasing the plinth coverage area, by ensuring structural stability of the existing building. Further where existing open area is more than 40%, then minimum 40% of plot area shall be maintained as open area (inclusive of recreational area as required under Regulation No 27) while allowing additional FSI as per these Regulations.

Note- 1) The permissible FSI shall be on the entire plot.

2) If existing Municipal Play Ground/POS is abutting to the plot of Educational Institute or may be across the road, then the provision of 40% of play area within plot of Educational Institution may not be insisted upon if the combined play area available is at least 40% of plot area. Provided further, if ownership of Play Ground/POS having area at least 40% of area abutting to the plot of Educational Institute is vesting with the Educational Institution, then the provision of 40% of play area within plot of Educational Institution may not be insisted upon.

3. 50% of the required Play Ground area may be allowed in stilt subject to condition that said carved out area will not be used for the parking or any other utility purpose by taking proper safety measures.

(II) *Building for Medical use-*

For Hospital, Maternity Homes and Health Centre, Sanatorium, Multi-Specialty

Hospitals:

a) minimum area of general wards shall be 40sq.m with no side less than 5.5 m;

b) the basic requirements for building put to medical use shall conform to IS 12433:2001

(III) *Public Building-*

A Crèche shall be provided as per the Regulation no 37(29)

### 39. *Special Regulations for Differently abled persons*

#### **Differently Abled People**

As per the provisions of the Persons with Disabilities Act, 1995, seven categories of disabilities have been identified viz., blindness, low vision, leprosy cured, hearing impairment, locomotor disability, mental retardation and mental illness. Persons falling under the above categories with a minimum of 40% disability are covered under Differently Abled People. The provisions made under Differently Abled People are also applicable to elderly, pregnant women and mothers with small children on prams.

#### **1 Scope:**

These bye laws are applicable to all existing and proposed public buildings & facilities having BUA more than 2000 sq. m.

In case of proposed residential buildings and public buildings/facilities having BUA less than 2000sq. m the access path and walkways up to lift/staircase on ground level/stilt/podium from drop off zone shall be provided for differently abled persons.

## 2. Site Development:

Level of the roads, access paths and parking areas shall be described in the plan along with specification of the materials.

### 2.1 Access path/walk way-

Access path from plot entry and surface parking to building entrance shall be of minimum 1.5 m width having even surface without any slope. Slope if any shall not have gradient greater than 1 in 20. Finishes shall have a nonskid surface with a texture traversable by a wheel chair. Where transfer has to be made from a vehicular surface to a pedestrian surface, the driveway and the pavement or footway surfaces shall be blended to a common level or ramp. Kerb Ramps shall be preferably provided.

#### (A) Kerb Ramps

Provision and Location	Kerb Ramps are to be provided where the vertical rise is less than 0.15m, located or protected to prevent obstruction by parked vehicles and should be free from any obstruction such as signposts, traffic lights, etc.
Dimensions and slopes	The gradient of a kerb ramp should not be steeper than 1:12, the flared sides should not be more than 1:10 and width should not be less than 0.9 m.
Design and Finish	A slip-resistant surface, should be designed not to allow water accumulating on the walking surface, should not project onto the road surface

#### B) Drop-off Zone

Provision & Location	Drop-off zones if provided should be at the same grade as the driveway
Dimensions	<ul style="list-style-type: none"> <li>• Min width of drop-off zone 1.5 m, and min length 4.5 m.</li> <li>• Change in level between the drop-off and the plinth should be through a ramp of maximum gradient 1:12</li> </ul>
Design & Finish	The surface of the drop-off zone should be finished with a non-skid material

#### C) Access Path:

Provision and Location	<ul style="list-style-type: none"> <li>• At least one continuous unobstructed accessible route or accessible path of travel shall be provided which connects all accessible elements and spaces in a building or facility for Differently Aabled individuals.</li> <li>• An accessible route shall be provided from public transportation stops, accessible parking, passenger loading zones and public streets or sidewalks to the accessible building entrances and lifts served.</li> <li>• Directional signs bearing the symbol shall be displayed at all other non-accessible entrances to direct to the accessible entrance.</li> <li>• The access path should have an even surface without any slope.</li> </ul>
------------------------	---



Dimensions	Access path from plot entry and surface parking to building entrance shall be of minimum 1.5 m width and for a two-way traffic, it should be 1.8 m wide.
Slope	<ul style="list-style-type: none"> <li>• Slope if any shall not have gradient greater than 1 in 20.</li> <li>• Such access shall be free from protrusion, hazards, steps, kerbs other than dropper kerbs, doors or doorways which will impede the passage of a wheelchair, or other form of barrier which will prevent access by Differently Aabled persons.</li> </ul>
Design and Finish	<ul style="list-style-type: none"> <li>• The surface of an access route shall be firm and non-slippery.</li> <li>• Tactile guiding path is requirement to ensure visually impaired person familiarize with the road and path. It shall be avoided with the vehicular movement.</li> </ul>

## D) Ramps:

Provision and Location	<ul style="list-style-type: none"> <li>• When the horizontal run of the approach ramp exceeds 9 m length, an alternative stepped approach (Refer Staircases section) is to be provided in addition to the ramp approach.</li> <li>• Where there is a large change in elevation that requires multiple ramps and landing combinations, other solutions such as elevators should be considered.</li> </ul>
Design and Finish	<ul style="list-style-type: none"> <li>• Single row of tactile warning blocks should be placed at beginning and end of each ramp at also at beginning and end of each run.</li> <li>• Ramps and landing surfaces should be slip resistant.</li> </ul>

## Dimensions

Level Difference	Minimum gradient	Ramp Width	Comments
≥ 0.15 m < 0.30 m	1:12	1.2 m	
≥ 0.30 m < 0.75 m	1:12	1.5 m	Landing every 5 m of ramp run
≥ 0.75 m < 3.0 m	1:15	1.8 m	Landing every 9 m of ramp run
≥ 3.0 m	1:20	1.8 m	Landing every 9 m of ramp run

2.2 Parking- For parking of vehicles by Differently abled individuals, the following provisions shall be made:

- a) Minimum two surface parking spaces for the first 100 parking spaces and one parking space for next 200 parking spaces or part thereof shall be provided near entrance for the Differently abled persons with maximum travel distance of 30 m from building entrance.
- b) The width of parking bay shall be minimum 3.6 m.
- c) The information stating that the space is reserved for wheel chair users shall be conspicuously displayed.
- d) Indication/directional signage along driveway showing the way leading to the parking spaces reserved for Differently abled persons should be provided

### 3. Building Requirements:

The specified facilities for the buildings for Differently abled persons shall be as follows:

1. Approach to plinth level.
2. Corridor connecting the entrance/exit for the Differently abled persons.
3. Stairways.
4. Lift.
5. Toilet.
6. Drinking Water.

3.1 Approach to Plinth Level- Every building shall have at least one entrance accessible to the Differently abled persons and shall be indicated by proper signage. This entrance shall be approached through a ramp together with the stepped entry.

3.1.1 Ramped Approach- Ramp to enter the building shall be finished with non-skid material. Minimum width of ramp shall be 1.5 m with maximum gradient 1:12. Length of ramp shall not exceed 9.0 m having 0.9 m high hand rail on both sides extending 0.3 m beyond top and bottom of the ramp. Minimum gap from the adjacent wall to the hand rail shall be 0.050 m.

3.1.2 Stepped Approach- For stepped approach size of tread shall not be less than 0.3 m and maximum riser shall be 0.15 m with provision of 0.9 m high hand rail on both sides of the stepped approach similar to the ramped approach.

3.1.3 Exit/Entrance Door: -The details shall be as under: -

Provision & Location	Publicly accessible buildings should preferably have automatic/self-closing doors, instead of manual doors. Manual doors should be easy and light in operation. Revolving doors should be avoided, but, in cases where a revolving door is the single means of entry, adequate space to accommodate wheelchair users should be provided.
Dimensions	<ol style="list-style-type: none"> <li>a. The minimum clear opening of doorways shall be 0.9 m measured between the face of the door and the face of the doorstop with the door open at 90° as illustrated in Sketch No 1 in Annexure 23</li> <li>b. Thresholds of doorways should not exceed 12 mm. Raised threshold and floor level changes at doorways should be leveled off with a slope on each side of threshold.</li> <li>c. Manual doors should incorporate kick plates 0.3 m-0.4 m high to withstand impact of wheelchair footrest (this is especially</li> </ol>

	<p>important where doors are glazed).</p> <p>d. All doors opening outwards (into a circulation space) should be fitted with vision panels between 0.9 m and 1.5 m from finished floor level.</p> <p>e. The doorway of a one-way swing door shall have maneuvering spaces on both sides for wheelchairs and the following clear spaces shall be provided adjacent to the leading edge of the door as illustrated in Sketch No 2 in Annexure 23</p> <ul style="list-style-type: none"> <li>▶ On Pull Side—Minimum space of 0.6 m</li> <li>▶ On Push Side—Minimum Space of 0.3 m</li> </ul> <p>Where two-way swing doors or sliding doors are used, a minimum space of 0.3 m adjacent to the leading edge of the door shall be provided on each side of the door.</p> <p>f. If frameless doors are used, it shall be prominently marked so as to make it visible.</p> <p>g. Double action self-closing door shall have a check mechanism to prevent the door swinging beyond closed position</p>
--	---

3.1.4 Entrance Landing- Entrance landing shall be provided adjacent to ramp with the minimum dimension 1.8 m x 2.0 m. It shall have a non-skid surface with a texture traversable by a wheel chair. Kerbs wherever provided should blend to a common level.

3.2 Corridor Connecting the Entrance/Exit for the Differently abled persons - The corridor connecting the outdoors to a place where information concerning the overall use of the specified building can be provided to visually impaired persons either by a person or by signs, shall be provided as follows:

- a) The minimum width shall be 1.5 m
- b) In case there is a difference of level, slope ways shall be provided with a slope of 1:12.
- c) Hand rails shall be provided for ramps/slope ways.
- d) No appliances, fixtures and fittings shall project beyond 90 mm from the surface of any wall in corridors, paths and lobbies below a level of 2000mm above the finished floor level unless they are unavoidable, in which case they shall also be extended downwards to the finished floor level or guided by tactile flowing materials.
- e) To facilitate the way-finding for persons with visual impairment, surfaces and finishes with luminous contrast between the wall and the ceiling, and between the wall and the floor should be adopted. Appropriate lighting design with adequate illumination should be considered.
- f) All corridors should have non-slippery-resistant surfaces.
- g) A minimum luminous contrast of 30% should clearly define between wall, floor and door surfaces.

3.3 Stair Ways- One of the stair-ways near the entrance/exit for the Differently abled persons shall have the following provisions:

- a) The minimum width shall be 1.5 m.

- b) Height of the riser shall not be more than 0.15 m and width of the tread 0.3 m. The steps shall not have abrupt (square) nosing.
- c) Maximum number of risers on a flight shall be limited to 12.
- d) Hand rails shall be provided on both sides and shall extend 0.3 m on both sides and shall extend 0.3 m on the top and bottom of each flight of steps.
- e) The minimum clear headroom in pedestrian area such as walkways, halls, corridors, passageways or aisles shall be 2.2 m.
- f) A detectable guardrail or other barrier having its leading edge at or below 0.580 m from the floor level shall be provided where the head room of an area adjoining an accessible route is reduced to less than 2.2 m as shown in the Sketch No 3 in Annexure 23
- g) The provision of Braille and high luminous contrast signs is recommended along with tactile guiding path

3.4 Lifts- Wherever lift is required as per bye-laws, provision of at least one lift shall be made for the wheel chair user with the following cage dimensions:

Clear internal depth:	1.2 m
Clear internal width:	1.4 m
Entrance door width:	0.9 m

- a) A hand rail not less than 0.6 m long at 1.0 m above floor level shall be fixed adjacent to the control panel. Also, switch control /call button shall be at an operating height of 0.9 m to 1.2 m.
- b) The lift lobby shall be of an inside measurement of 1.8 m x 1.8 m or more.
- c) The time of an automatically closing door should be minimum 5 second and the closing speed should not exceed 0.25 m/sec.
- d) The interior of the cage shall be provided with a device that audibly indicates the floor the cage has reached and indicates that the door of the cage for entrance/exit is either open or closed.
- e) The gap between the lift floor and floor landing shall not be more than 12 mm.
- f) Grab bars shall be placed on all three internal sides of the lift car at a height of 0.9 m from the finished floor level. Grab bars shall not have a gap of wider than 0.15 m at the corners as shown in the Sketch No 4 in Annexure 23.
- g) Audio announcement system in lift shall be provided.

3.5 Toilets- One special W.C. in a set of toilet with non-skid surface shall be provided for the use by the Differently abled persons with essential provision of wash basin near the entrance: -

- a) The minimum size shall be 1.5 m x 1.75 m
- b) Minimum clear opening of the door shall be 0.9 m and the door shall swing out.
- c) Suitable arrangement of vertical/horizontal handrails with 50 mm clearance from wall shall be made in the toilet.
- d) The WC seat shall be 0.5 m from the floor. The flushing control shall be mounted on the wide side of the cubicle at a height from 0.6 m to 1.05 m above the finished floor level.
- e) The wash basin shall be mounted with the rim not higher than 0.75 m above the finished floor level. A clearance of 0.55 m shall be maintained from the finished floor level to the bottom of the apron.

f) Two horizontal grab rails not less than 0.35 m to 0.50 m shall be provided on the rear side and on other side (different side from the one with wash basin). Drop down vertical grab bars shall be provided on both sides of WC. Grab bars shall have 50 mm clearance from the wall. The grip space shall be 0.30 m clear of mounting wall. One folding grab rail on the wide side of the cubicle adjacent to the WC at a height from 0.725 m to 0.75 m above the finished floor level when lowered from the wall.

g) If more than one urinal is provided, at least one urinal shall have a clear leveled space of not less than 0.80 m wide x 1.5 m deep in front. A vertical grab rail near urinal.

h) An emergency call bell shall be provided in an accessible WC cubicle.

3.6 Drinking Water- Suitable provision of drinking water shall be made for the Differently abled persons near the special toilet provided for them.

3.7 Designing for Children- In the buildings, including toilet, meant for the predominant use by children, it will be mandatory to adjust the height of the handrail and other fittings and fixtures, etc. suitably.

### 3.8 Protruded objects in the common areas or common ways

1. Objects or obstructions, with their leading edges at any height above 0.580 m from the floor level shall not protrude more than 0.1 m in to pedestrian areas as illustrated in Sketch No 5 in Annexure 23.

2. Objects or obstructions, with their leading edges upto a maximum height of 580 mm from the floor level, may protrude more than 0.1 m into pedestrian are as illustrated in Sketch No 5 in Annexure 23.

3. Free standing objects placed between the height of 0.58 m and 2.0 m from the floor level shall have an overhang of not more than 0.3 m as illustrated in Sketch No 6 in Annexure 23.

4. The maximum height of the bottom edge of free standing objects with a space of more than 0.3 m between supports shall be 0.58 m from the floor level as illustrated in Sketch No 6 in Annexure 23.

### 3.9 Special requirements at public spaces like auditorium and theatre

Provision & Location	<p>a. In cinemas, theaters, concert halls, stadia or other places of public recreation where permanent fixed seating arrangement is provided, a minimum of two wheelchair spaces shall be provided for every 200 seats or less. Additional one wheel chair space shall be provided for every subsequent addition of 200 seats or part thereof accessible seating should be distributed and integrated throughout seating areas of assembly rooms with different vantage points accessible to all persons with disabilities.</p> <p>b. Guideline: All entertainment and assembly areas should be able to cater for and accommodate Differently abled persons using various mobility aids.</p> <p>c. Wheelchair spaces should be an integral part of any seating plan. Efforts must be made to distribute such seating spaces throughout the seating area and in each pricing tier, arranged so as not to obstruct the view of persons who may be seated behind</p>
Dimensions	The wheelchair spaces, each measuring 0.9 m x 1.2 m shall be located alongside the fixed seats to enable wheelchair users to sit together with their able bodied or ambulant companion.

### 3.10 Proper signage

- a) Appropriate identification of specific facilities within a building for the differently abled persons should be done with proper signals.
- b) Visually impaired persons make use of other senses such as hearing and touch to compensate for the lack of vision, whereas visual signals benefit those with hearing disabilities. Signs should be designed and located so that they are easily legible by using suitable letter size (not less than 20 mm high).
- c) For visually impaired persons, information board in brail should be installed on the wall at a suitable height and it should be possible to approach them closely.
- d) Directional signs and tactile guiding path should readily identify and provide a logical sequence from a starting point to a point of destination and a clear indication of return routes to the named exits. Clear indication of the existence of steps or ramps on a route should be provided at both ends of the route
- d) To ensure safe walking, there should not be any protruding sign which creates obstruction in walking.
- e) Public Address System may also be provided in busy public areas.
- f) The symbols/information should be in contrasting colour and properly illuminated because people with limited vision may be able to differentiate amongst primary colours.
- g) International Symbol Mark for wheel chair be installed in a lift, toilet, staircase, parking areas, etc., that have been provided for the differently abled

### 4.0 *Design Guidelines – Streetscapes for Public Street*

Road Intersections, Median Refuge, Traffic Signals, Subways & Foot over Bridges

- a. Guide strips should be constructed to indicate the position of pedestrian crossings for the benefit of people with visual impairments and have kerb ramps
- b. Raised Median Refuges are to be cut through and levelled with the street and should have kerb ramps.
- c. A coloured tactile marking strip at least 0.6 m wide should mark the beginning and the end of a traffic island, to guide pedestrian with visual impairments to its location.
- d. Pedestrian traffic lights should be provided with clear audible signals and these acoustic devices should be installed on a pole at the point at the origin of crossing and not at the point of destination
- e. Signages for Foot over bridges and Subways are to be provided.
- f. There should be a provision of slope ramps/lifts at both ends to enable wheelchair accessibility.
- g. Provisions of a sidewalk are to be followed

### 5.0 *Guidelines and Provisions:*

For details & additional information/guidelines reference may be made to following

1. The Handbook on Barrier Free and Accessibility”, (2014), Central Public Works Department, Gol
2. Model Building Bye-Laws, (2016), Town and Country Planning organisation, Ministry of urban Development, Gol.
3. “National Building Code”, amended up to date (2005), Bureau of Indian Standards,

4. "National Policy for Persons with Disabilities", (2006), Ministry of Social Justice and Empowerment, Gol.

#### 40. **Lighting and Ventilation**

**(1) Adequacy and manner of provision-** All parts of any habitable room shall be adequately lighted and ventilated. For this purpose, every room shall have -

(a) one or more apertures, excluding doors, with area not less than one-sixth of the floor area of the habitable room, with no part of any habitable room being more than 7.50 m away from the source of light and ventilation. However, a staircase shall be deemed to be adequately lighted and ventilated, if it has one or more openings, their area taken together measuring not less than 1 sq. m per landing on the external wall;

(b) an opening with a minimum area of 1 sq. m in any habitable room including a kitchen, and 0.3 sq. m with one dimension of 0.3 m for any bathroom, water closet or store;

(c) all the walls, containing the openings for light and ventilation fully exposed to an exterior open space either directly or through a balcony not exceeding 2m. in width provided that a room meant for non-residential user shall be considered as adequately lighted and ventilated if its depth from the side abutting the required open space does not exceed 12 m and in case centrally air-conditioned building may be allowed to be exceeded up to 20 m.

**(2) Artificial ventilation shaft-** A bathroom, water closet, staircase or store/prayer room may abut on the ventilation shaft, the size of which shall not be less than the values given below:

Height of buildings in metres.(m)	Cross-section of ventilation shaft in sq. m	Minimum dimension of one side of shaft in metres (m).
Upto 12	2.8	1.2
Upto 18	4.0	1.5
Upto 24	5.4	1.8
Upto 30	8.0	2.4
Above 30	9.0	3.0

Mechanical ventilation system shall invariably be installed in such ventilation shafts. Further, such ventilation shaft shall be adequately accessible for maintenance.

**(3) Artificial Lighting & Mechanical Ventilation-** Where lighting and ventilation requirements are not met through day-lighting and natural ventilation, they shall be ensured through artificial lighting and ventilation in accordance with the provisions of Part VIII, Building Service Section I, Lightning and Ventilation, National Building Code.

(4) In any residential hotel where toilets are provided with a mechanical ventilation system, the size of the ventilation shaft prescribed in this Regulation may be suitably relaxed by the Commissioner

**41. Open Spaces within Building Plots/ Layout**

- (1) (a) **Open spaces separate for each building or wing.** -The open spaces required under these Regulations shall be separate or distinct for each building and where a building has two or more wings, each wing shall have separate or distinct open spaces as required under these Regulations;

Provided that if one of the wings does not depend for light and ventilation on the open space between the two wings, the said open space shall be the one required for the higher wing or one required for deriving the light and ventilation whichever is higher.

**Open spaces to be provided for the full consumption of FSI**-The open spaces to be left at the sides and rear shall relate to the height necessary to consume the full FSI permissible, for the occupancy in the zone.

(b) **Manner of computing front open space/setback where the street is to be widened**-If the building plot abuts any road which is proposed to be widened under the Development Plan or because of the prescription of regular lines of streets under the Mumbai Municipal Corporation Act, 1888, the front open space /road-side set back shall be measured from the resulting road widening line.

(c) The front open space shall be measured perpendicular to the road line. The open spaces for light and ventilation shall be measured perpendicular to the building line. The open spaces for dead wall shall be measured perpendicular to compound wall.

- (2) **Side and rear open space in relation to the height of the building for light and ventilation-**

(i) **Residential and Commercial Zones-**

(a) The open spaces on all sides except the front side of a building shall be as follows:

Table A

Sr. No.	Ht. of Building (H)	Side & rear marginal open space		Side & rear marginal open space	
		Plot up to 1000 sq. m or where average width/depth of plot is less than 20 m		Plot size more than 1000 sq. m and average width/depth of plot more than 20 m	
		Light & ventilation	Dead wall	Light & ventilation	Dead wall
1	Up to 32 m	Min - 3.6m in case of Residential building & 4.5 m in case of commercial building subject to H/5	3.6 m	Min - 3.6m in case of Residential building & 4.5 m in case of commercial building subject to H/4	3.6 m
2	More than 32 m & up to 70 m	H/5 subject to maximum 12 m	6 m	H/4 subject to maximum 12 m	6m
3	More than 70m & up to 120 m	-----		H/4 or 16 m Max.	9 m
4	More than 120 m	-----		20 m	9 m



- Note i) Provision of glass facade without construction of dead wall inside the facade shall be treated as side deriving Light & Ventilation.
- ii) In case of residential building Glass façade shall be permissible in the portion, which does not derive light and ventilation.
- iii) In case of High Rise building with height more than 32 m the requirements of Fire Safety as specified in these Regulations/Fire Brigade Authorities shall be fulfilled.

Provided further that;

1. the open space for separation between any building and a single storeyed accessory building need not exceed 1.5 m.
2. the marginal open space(distance)between building and LOS in the same lay-out shall not be less than 3 m.

In respect of tolerated Buildings/Approved buildings, additional BUA in lieu of the subsequent set back created due to prescription of Regular Line under MMC Act 1888/due to proposed widening of road by Appropriate Authority, after issuance of development permission/Commencement Certificate, may be permitted at upper floors with step-back to make up for deficiencies in the open space in case of new development as required under these Regulations subject to fulfillment of structural requirements or else TDR in lieu of subsequent set back area as provided under these regulations may be allowed.

(b) *Step-back at upper level-* The Commissioner may permit smaller step-backs at upper levels and also permit additional floor area upto a limit of 10sq. m over the permissible FSI to avoid structural difficulties or hardship but so as not to affect adversely the light and ventilation of an adjoining building or part thereof.

(c) *Tower-like structures-* Notwithstanding any provision to the contrary, a tower-like structure may be permitted only with 6 m open space at the ground level and one step-back at the upper levels provided that the total height does not exceed 32m. If it exceeds 32m but does not exceed 70m, the minimum open space at ground level shall be 6 m on rear and one side and 9m on another side accessible from road. In case of building exceeding the height of 70 m minimum open space at ground level shall be 9 m and two step-back at upper level up to the height of 70 m and for the height more than 70 m and up to 120 m three step-backs and for the height beyond 120 m four step-backs may be allowed. The step-backs shall be provided in such a way that the required open spaces as per the provisions of Regulation No. 41(1)(a),41(2)(i)(a) & 43(1) are maintained at upper level. The terrace created by the step-back shall be accessible through a common passage and /or common staircase only.

Provided further that such step backs as stated above may also be allowed on one or more sides, however on other sides than the step back, shall have to maintain the regular open spaces as per these regulations.

**(ii) Industrial Zone-**

- (a) Buildings upto 4 storeys or 16 m in height - The minimum width of the open space around each building shall be 6m.
- (b) Building more than 4 storeys or 16 m in height- The open space dimension prescribed in (a) above shall be increased by at least 0.25m for every 1 m of height or part thereof, above 4 storeys or 16 m.

Provided that no such increase in open spaces is necessary if (i) it is a front margin or (ii) when only store rooms and stairways derive light and ventilation from the open space.

**(3) Provisions in marginal open spaces if the height of the building is restricted-**

(a) Notwithstanding the provisions of sub-regulations (2) of this Regulation, the minimum open spaces in plots in residential and commercial zones may be relaxed to the values quoted in Table No 17 below, if the number of storeys are restricted to Ground and one upper floor or Stilt and two upper floors

**Table No 17**

**Provisions in Open Spaces for Plots in Residential and Commercial Zones**

Serial No.	Plot Area (Sq. m.)	Type of Development	Minimum open spaces (in meters)		
			(4)		
(1)	(2)	(3)	Front	Rear	Side
1	21 and above but less than 30	Row	0.75 (ii)	1.5	.....
2.	30 and above but less than 40	Row	0.75 (ii)	2.25	....
3.	40 and above but less than 60	Row/Semi-detached	1.00 (ii)	2.25	1.0 (i)
4.	60 and above but less than 125	Row/Semi-detached	1.5	3.0	1.0 (i)
5.	125 and above but less than 250	Row/Semi-detached/Detached	3.0	3.0	1.5 (i)

*Explanation to Table No 17:*

(i) Such side open space will not be required for row housing, but will be required for semi-detached structure which will have open spaces around the entire structure. Such side open space shall not be reckoned as the main source of light and ventilation for habitable rooms of the structure.

(ii) In plots, less than 60sq. m in area, no front open space need be provided if the means of access serving such plots is at least 3 m in width.

(iii) A row housing scheme developed as a block shall not be more than 45 m in length and the distance separating two such blocks shall not be less than 1.5 m.

(iv) Where the amenity open space is accessible from all the lay-out plots and has no exclusive means of access, the rear marginal open space in plots abutting such amenity open space shall not be less than 3 m

(b) In case of redevelopment in Gaothan / Koliwada/Adivasi Pada with the height restricted to 4 storeys or maximum 14 m, the ground coverage of the structure shall not be more than 75% of the plot area and open spaces left at side and rear shall be as to consume the FSI as permissible and not to affect adversely the light and ventilation of adjoining buildings and to provide proper drainage facilities.

**(4) Front Set-backs from the Street Line/Plot Boundary and set-backs from the zonal boundary in the different zones shall be as in Table No 18 hereunder.**

Table No 18

**A. Front set-back from Street Line/Plot Boundary (in meters)**

Serial No. (1)	Location of plot (2)	Residential Zone (3)	Commercial Zone (4)	Industrial Zone (5)
1	On express highways or roads wider than 52 m	6.0	6.0	22.5
2	Areas located in -island city -elsewhere	3.0 4.5	4.5 4.5	** **
3	Away from road- -island city -elsewhere	4.5 4.5	4.5 4.5	4.5 6.0
4	For plots in gaothans / Koliwadass/ Adiwasipada, in suburbs extended suburbs smaller than 250 sq. m. i) streets less than 6 m ii) streets 6m and more and less than 9m iii) streets 9m and more	NIL 1 1.5	N.A. N.A. N.A.	N.A. N.A. N.A.
5	On island city roads listed below*	4.5	4.5	Not applicable

\*\* Refer to sub-Regulations 41(2) (ii) of this Regulations.

\*Gopalrao Deshmukh Marg (Pedder Road), Bhulabhai Desai Road, Babasaheb Dahanukar Marg (Carmichael Road), Salebhoy Karim Barodawalla Marg (Altamount Road), Gamadia Road (Walkeshwar Road), Bal Gangadhar Kher Marg (Ridge Road), Laxmibai Jagmohandas Marg (Nepean Sea Road), Nyayamurti Sitaram Patkar Marg (Hughes Road), Chowpatty Sea-Face Road, Lala Lajpatrai Marg (Hornby Vellard), Dr. Annie Besant Road, Maulana Abdul Kalam Azad Road, Swatantrya Veer Sawarkar Marg (Cadell Road), Senapati Bapat Marg, Dr. Ambedkar Road from Byculla Bridge to Sion Causeway, Rafi Ahmed Kidwai Road.

NOTE: With the approval of the Corporation, the Commissioner may add, alter or amend this list of roads. For high rise buildings front marginal distance shall be as per Regulation No.43.

**B. Segregating distance from Zonal/plot Boundary in Industrial Zones (in meters)**

Serial No. (1)	Location of plots (2)	Type of building (3)	Set-back in zones(m) (4)
1	Island City	Industrial building	6 m
2	Island City	Residential building, if permitted, due to conversion of zone.	9 m
3	Island City	Other permissible non-industrial user if permitted in industrial zone.	(i) 6.00 m upto 32 m in height (ii) For heights, more than 32 m, 6.00 plus 0.25m for every meter or part thereof
4	Suburbs, extended suburbs and new reclamation areas at Wadala Salt Pans	Industrial Building- (a) If zone boundary coincides with the boundary of permanent public open space such as P.G. Garden, Park etc.	6m and 22.50 m in case of hazardous building
		(b) Otherwise	9 m and 52.50 m in case of hazardous building
5	Do.	Residential building if permitted due to conversion of zone.	9 m & 52.50m (For obnoxious or hazardous industries adjacent to residential development.)
6	Do.	Other non-industrial users permitted.	(i) 6m upto 32m in height. (ii) For height, more than 32 m, 6m plus 0.25m for every meter or part thereof.

*Explanation to Table B-*

(i) The minimum segregating distance between different zones shall be the distance as measured from the opposite edge of the road/Nalla/Watercourse (existing or proposed) in which the zone happens to abut.

(ii) These segregating distances from the adjoining plot as stated above shall not be insisted upon where non-industrial development has already been permitted by conversion of zone in the said adjoining plot situated in Industrial zone.

(iii) In the case of residential development and other non-industrial development permitted in the industrial zone, the area within the segregating distance as provided in the Table 18-B shall be planted with trees at the rate of not less than 5 per 100 sq.m of such area.

**(5) Provisions in open spaces for plots in Reconstruction/Redevelopment Schemes under the Maharashtra Housing and Area Development Authority Act, 1976, Slum Rehabilitation Authority and Redevelopment Scheme of municipal tenanted properties; in case of DCR 33(5), 33(6), 33(7), 33(7)(A),33(7)(B), 33(9), 33(9)(A), 33(9)(B),33(10), 33(10)(A),33(11),33(15) and 33(20)(A).**

The following provisions shall only be applicable in case of rehab and composite building. Composite building in Rehab scheme is the building where the rehab component is equal to or more than 50%.

(a) Notwithstanding the provisions contained in sub-Regulations (2) of this Regulation,

(i) For a building up to height 32m the front open space shall be 3.0 m.

(ii) For a building, up to height 32 m, side and rear marginal open spaces may be reduced to 3.0 m.

(iii) for a building with height more than 32 m but upto 70 m the side and rear marginal open spaces shall not be less than 6 m and for a building with height more than 70 m the side and rear marginal open spaces shall not be less than 9 mand 12 m beyond 120 m subject to fulfillment of fire safety requirement as specified in these Regulations.

**(6). Open spaces for various types of buildings-**

(a) Educational buildings, hospitals, mental hospitals, maternity homes, house of correction, assembly buildings, mangal karyalaya, markets, stadia, petrol filling and service stations:

A minimum space 6 m wide shall be left open on all sides from the boundaries of the plot.

(b) Cinemas/theatres:

(i) Front open space- A minimum open space 12 m wide from edge of the road or 37 m from the centre of National Highway/State Highway/Major District road, whichever is more is required.

Provided further that in case the cinema theater is proposed along with other permissible uses in building then open spaces as per requirement of special building will be considered deemed to be sufficient where waiting area for patron is provided within the building

(ii) Side and rear open space- The side and rear marginal distances to be left open shall not be less than 6 m wide.

(c) For high rise and special buildings, the provisions as stipulated in Regulation No. 47(1) shall apply.

**(7). Provisions regarding relaxation in open spaces in narrow plots-**

(a) Narrow plots in residential and commercial zones, viz those less than 15 m wide or deep will be permitted the relaxation shown in column 3 of Table No 19 hereunder subject to the restrictions in column 4 thereof.

**Table No: 19**

**Open Space Relaxation in Narrow plots in Residential and Commercial Zones.**

Serial No.	Plot size/dimension	Relaxation	Restrictions on building
(1)	(2)	(3)	(4)
1	Depth less than 15 m	Rear open space may be reduced to 3 m	No room except store-room and staircase derives light and ventilation from reduced open space.

2	Width less than 15 m but more than 11.5 m	Side open space may be reduced to 3 m	No room except store-room and staircase derives light and ventilation from reduced open space.
3	Depth less than 11.5 m but more than 9 m	Front open space may be reduced to 3 m and rear open space reduced to 1.8 m	(i) Depth of the building not to exceed 5.5 m (ii) Height not to exceed, 5storeys or 15 m.
4	Width less than 11.5 m but more than 9 m	One side open space may be reduced to 3 m and the other side open space may be reduced to 1.8 m	(i) Width of the building not to exceed 5.5m (ii) Height not to exceed 5 storeys or 15 m
5	Depth or width less than 11.5 m	Semi-detached structure on adjoining plots with open spaces as at Sr. Nos. 3 or 4 above.	(i) Depth of the building not to exceed 5.5 m (ii) Height not to exceed 5 storeys or 15 m
6	Depth or width less than 9 m	Open space may be reduced to 1.5 m all around	Only ground floor or stilt + one structure.

*Explanation to Table No 19*

1. No dimension of any building in a narrow plot shall exceed 30 m.

The relaxation in Table No 19 shall not apply to any narrow plot where in reconstruction/redevelopment scheme under the Maharashtra Housing and Area Development Authority Act, 1976 and Slum Act is undertaken

2. In areas when the majority of the plots is less than 11.5 m in width or depth, the Commissioner may prescribe building lines in which row houses would be permissible.

3. For the purpose of this regulation plot area/size shall be reckoned after deduction of area of the plot to be handed over to MCGM/Appropriate Authority' under these Regulations.

(b) Narrow plots in industrial zones, viz. those having one dimension smaller than 16 m will be allowed the relaxation subject to the restrictions in Table No 20 hereunder.

Table No: 20

## Open Space Relaxation in Narrow Plots in Industrial Zones

Sr.No	Relaxation granted in or condition imposed on	Width less than 10.5 m	Depth less than 10.5 m	Width between 10.5 m. upto 12 m	Depth between 10.5 m. upto 12 m	Width between 12m upto 18 m	Depth between 12m upto 18 m
(1)	(2)	(3)	(4)	(5)	(6)	(7)	(8)
1	Open space ...	Side open space may be reduced to 1.8 m	Rear open space may be reduced to 1.8 m	(i) May be reduced on one side to 4.5 m. (ii) The other side may be reduced to 1.8m	May be reduced at the rear to not less than 1.8 m	One side open space may be reduced to 1.8 m	Rear open space may be reduced 1.8 m
2.	Building dimensions, etc.- (i) Maximum width	6 m	30 m	6 m	30 m	6 m	30 m
	(ii) Maximum depth	30 m	6 m	30 m	6 m	30m	6 m
	(iii) Maximum height	4.5 m	4.5 m	8 m	8 m	8 m	8 m
	(iv) No. of storeys	One	One	Two	Two	Two	Two
	(v) Walls	Dead walls 40 cm thick on both sides.	Dead wall 40 cm thick on the rear side.	Dead wall 40 cm thick facing the reduced open space, as in Serial No.(i), (ii) above of this column.	Dead wall 40 cm thick facing the rear side.	Dead wall 40 cm thick facing the reduced open space.	Dead wall 40 cm thick facing the rear side.

Note: -i) The restriction in Table No 20 shall not apply to any narrow plot where in reconstruction/redevelopment scheme under the Maharashtra Housing and Area Development Authority Act, 1976 and Slum Act is undertaken.

ii) For the purpose of this regulation plot area/size shall be reckoned after deduction of 'area of the plot to be handed over to MCGM/Appropriate Authority' under these Regulations.

**(8) Interior open spaces (chowks)-**

(a) Inner chowk-Unless it abuts on a front, rear, or side open space, the whole/part of one side of every room other than a habitable room shall abut on an interior open space, courtyard or chowk, whose minimum width shall be 3 m. Such interior space, courtyard or chowk shall be accessible at least on one side at ground floor level through a common passage or space. Further, the inner chowk shall have an area at all its levels of not less than the square of one fifth of the height of the highest wall abutting the chowk:

Provided that the maximum dimension of an inner chowk may not be insisted more than the required open spaces as stipulated in this regulation.

Provided further that when any room (excluding the stairway bay, the bathrooms and water closet) depends for its light and ventilation on an inner chowk, the dimension shall be such as is required for each wing of the building.

(b) *Outer chowk.* - The minimum width of an outer chowk (as distinguished from its depth) shall be 2.4 m, but if the depth exceeds the width, the open space between the wings shall be regulated by Regulation 41(2)(i)(a), when any habitable room depends on light and ventilation on such outer chowk. A recess less than 2.4 m wide shall be treated as a notch and not as a chowk.

**(9). Open spaces to be unencumbered-** Every open space whether interior or exterior shall be kept free from any erection thereon and shall remain open to the sky except the feature covered by the next Regulation 42.

**42. Features permitted in open spaces**

Certain features may be permitted in the prescribed open spaces except in case of high rise buildings where minimum clear marginal open space shall be observed as per Regulation 47(1) as enumerated below:

**(i) Permitted in the side or rear marginal open spaces:**

(a) Where the facilities in an existing building are inadequate, a sanitary block (i) not exceeding 3 m in height and 4 sq. m in carpet area. (ii) at least 7.5 m from the road line or the front boundary and 1.5 m from other boundaries and (iii) at least 1.5 m away from the main building.

(b) Covered parking spaces at least 7.5 m away from any access road, subject to Regulation No. 44 (6)(d)

(c) Suction tank, pump room, electric meter room or sub-station, garbage shaft/refuse chute, facility for treatment of wet waste in situ, space required for fire hydrants, electrical and water fittings, water tank, dust-bin, etc.

**(ii) Other features permitted in open space:**

(a) A rockery, well and well structures, plant nursery, water pool, or fountain swimming pool (if uncovered and only beyond the required open space as required under these Regulations), platform around a tree, tank, bench, gate, slide, swing, ramp, compound wall without affecting maneuverability of vehicles;



- (b) A cantilevered and unenclosed canopy over each entrance and staircase not more than 5.5 m long may be permitted as specified in Regulation No 37(19)
- (c) An unenclosed porch open on three sides, not more than 5.5 m in length parallel to the main building in front of common entrance only and except rear open space with level difference of 0.3 m in relation to the floor level as specified in Regulation No. 37 (18). No part of such porch shall be less than 1.5 m from the plot boundary.
- (d) A balcony may be permitted as specified in Regulation No.37(20).
- (e) (i) A chajja, cornice, weather shade, sun-breaker; at lintel level, only and Vertical fins (excluding columns) projecting not more than 1.2 m from the face of the building. No chajja, cornice, weather shade, sun-breaker etc. shall reduce the width of the required open space to less than 2.5 m . Further chajja, cornice, weather shade, sun breaker or other ornamental projections etc. shall be permissible upto 0.60m in Gaothan area for the plots admeasuring upto 250 sq.m. However, in case of redevelopment scheme under Regulation No. 33(7) where marginal distances are less, chajja projection maximum up to 0.45 m may be allowed.
- (ii) The ornamental projection, flower beds, etc. projecting not more than 1.2 m from the face of the building. No ornamental projection, flower beds, etc. shall be permissible, which will reduce the width of the required open space to less than 2.5 m
- (iii) Platform of width not more than 0.45 m and length 2.0 m at the height not less than 0.60 m above floor level for installation of Air-conditioning split unit not reducing the open spaces as per above
- (f)(i) A chajja, cornice, weather shade, sun-breaker over a balcony or gallery, its projection not exceeding 0.75 m from the balcony or gallery face with a level difference of 0.6 m in relation to the floor level. However, in case of redevelopment scheme under Regulation No. 33(7) where marginal distances are less, chajja projection maximum up to 0.45 m may be allowed.
- (ii) The Ornamental projection, flower bed etc. over a balcony or gallery, its projection not exceeding 0.75 m. from the balcony or gallery.
- (iii) Platform of width not more than 0.45 m and length 2.0 m at the height not less than 0.60 m above floor level for installation of Air-conditioning split unit not reducing the open spaces as per above.
- (g) Watchman's booth not over 3 sq. m in area. In case of larger layouts having plot area more than 4000 sq. m. and accessible from more than one public road, than watchman's booth of 3sq.m on each access road may be allowed, provided it is not highway. Watchman booth should be located in such a way that it should not affect maneuvering of Fire Tender.

#### 43. **Height of Buildings**

(1) Height vis-à-vis the road width- The height of a building shall not exceed three times the total of the existing or prescribed width of the street on which it abuts and the required front open space. The restrictions of height of the building spelt out in this Regulation shall however, cease to apply in case where the plot fronts on road having width as specified in Regulation No.19 and where front marginal open space of minimum 9m in case of abutting road having width up to 9m & 12 m in case of abutting road having width more than 12 m or more is available, provided that open spaces as on other sides are made available as required from the fire safety point of view.

Explanation- (i) "Prescribed width" here means the width prescribed in the DP or the width resulting from the prescription of a sanctioned regular line of the street under the MMC Act, whichever is larger.

(ii) If a building abuts two or more streets of different widths, it shall be deemed for the purpose of this Regulation to abut the wider street

Provided however, that restrictions on height spelt out in this Regulations shall not be applicable for reconstruction and redevelopment undertaken under Regulations 33(5), 33(6), 33(7), 33(7)(A), 33(9),33(9)(B) ,33(10) ,33(10) (A), 33(11), 33(15) and 33(20) (A)of these Regulations.

(2) Buildings intended for hazardous godowns, storage of inflammable materials or storage of explosives shall be single-storied structures only.

(3) The height and character of an industrial chimney in the area for which clearance of the Civil Aviation Authorities is required under these Regulations shall be prescribed by the Civil Aviation Authorities.

#### 44. **Parking Spaces**

Wherever a property is developed or redeveloped, parking spaces at the scale laid down in these Regulations shall be provided. When additions are made to an existing building, the new parking requirement will be reckoned with reference to the additional space only and not to the whole of the building and to the area where the use is changed.

##### (1) **General Space Requirement-**

(i) Types-The parking spaces mentioned below include parking spaces in basements, parking floor, and podium or on a floor supported by stilts, or on upper floors, covered or uncovered spaces in the plot.

(ii) Size of Parking Space-The minimum sizes of parking spaces to be provided shall be as shown below-

Type of Vehicle	Minimum size/Area of parking space
(a) Motor vehicle	2.5 m x 5.5 m
(b) Scooter, Motor-cycle	3 sq.m (Least dimension shall be minimum1.2 m)
(c) Bicycle	1.4 sq.m
(d) Transport Vehicle / School Bus	3.75 m x 7.5 m

Note- In the case of parking spaces for motor vehicles, upto 50 per cent of the prescribed space may be of the size of 2.3 m x 4.5 m.

(iii) Marking of Parking Spaces-Parking spaces shall be paved and clearly marked for different types of vehicles.

(iv) Maneuvering and other ancillary spaces- Off-street parking space must have adequate vehicular access to a street, and the area shall be exclusive of drives, aisles and such other provisions required for adequate maneuvering of vehicles.

(v) Ramps for Basement Parking-Ramps for parking in basements shall conform to the requirements of sub-regulations (16) of Regulation 37.

(2) **Quantitative Requirements**-Four wheeled auto-vehicles-Parking spaces for four wheeled auto vehicles shall be provided as in Table No 21 below, any fractional space of more than half resulting from the ratios in column (3) thereof being rounded off upward to the nearest integer.

Provided that the Government may change parking requirements, as per the recommendations of the committee constituted by the Government in this regard.

Table No: 21

## Off Street Parking Spaces

Sr. No. (1)	Occupancy (2)	Parking Space required (3)
1	(i)Residential	In the Island City areas, Suburbs and Extended Suburbs;  One parking space for every. a) 4 tenements having carpet area upto45 sq.m each. b) 2 tenements with carpet area exceeding 45sq.m but not exceeding 60sq.m each. Provided further that in case of (a) & (b), at the option of owner/developer, may provide one parking for each tenement. c) 1 tenement with carpet area exceeding 60sq.m but not exceeding 90sq.m d) 1/2 tenement with carpet area exceeding 90 sq.m In addition to the parking spaces specified in (a), (b),(c)& (d) above, parking for visitors shall be provided to the extent of 25 per cent of the number stipulated above, subject to minimum of one. Provided that for the redevelopment under Regulation 33(5), 33(6), 33(7), 33(7)(A),33(9),33(9)(B), 33(10) 33(10)(A),33(11) (A),33(15) & 33(20) (A)the parking shall be as follows. One parking space for every. a) 8 tenements having carpet area upto45sq.m each b) 4 tenements with carpet area exceeding 45sq.m but not exceeding 60 sq.m each c) 2 tenements with carpet area exceeding 60 sq.m but not exceeding 90sq.m each. d) 1 tenement with carpet area exceeding 90sq.m
		In addition to the parking spaces specified in (a), (b), (c) & (d) above, parking spaces for visitors shall be provided to the extent of 25 per cent of the number stipulated above, subject to minimum of one
	(ii)For five, four and three star hotels. For all starred category hotels	One parking space, for every 100sq.m of total floor area.
	(iii)For lodging establishments.	One parking space, for every 120-sq.m of total floor area of a lodging establishment.

Sr. No. (1)	Occupancy (2)	Parking Space required (3)
	iv) For Hotels	One parking space for every 100 sq. m of total floor area of a lodging establishment  b) For hotels and eating houses, one parking space for every 25 sq.m of restaurant including hall, dining room, pantry & bar
2	Educational	One Parking space for 35 sq. m carpet area of the administrative office area and public service area.
3	Assembly and assembly halls or auditorium (including those for educational uses and hostels)	a) One parking space for 12 seats / persons. b) Without fixed seats, one parking space for every 15-sq.m of floor area. c) For canteen, bar and restaurant additional parking required under these Regulations for other permissible users as per provisions made herein for such purposes shall be provided.
4	Government or semi-public or private office business buildings	One parking space for every 37.5 sq. m of office space up to 1500 sq. m and for every 75-sq.m of additional space for areas exceeding 1500 sq. m in other areas.
5	Mercantile (Markets, Departmental stores, Shops and other commercial uses). (I.T.Parks)	One parking space for every 40-sq.m of floor area up to 800 sq. m and one parking space for every 80-sq.m of space for areas exceeding 800 sq. m provided that no parking space need to be provided for floor area up to 50 sq. m
6	Industrial	One Parking space for every 150-sq.m thereof subject to a minimum of two spaces
7	Storage	One Parking space for every 150-sq.m thereof subject to a minimum of two spaces
8	Hospitals and Medical Institutions	One parking space for every 150-sq.m of total floor area, except that it would be one parking space for every 600-sq.m of the total floor area in the case of Govt. and Municipal hospitals and Medical institutions. In addition, one parks space for ambulance parking measuring 10 m x 4 m for hospitals or medical institutions with bed strength of 100 or more.
9.	Cinemas and theatres	Parking spaces equivalent to eight per cent of the total number of seats with additional parking as otherwise also required for other permissible users in conjunction with that of cinema/theatre.
10.	Shopping/Convenience Shopping (not included under Mercantile Occupancy)	One parking space for every 150-sq.m of total floor area in the case of shopping user with each shop up to 20 sq. m in area and one parking space for every 50 sq.m of total floor area for shops each over 20 sq. m area.

Sr. No.	Occupancy	Parking Space required
(1)	(2)	(3)
11	Stadia and Clubs (included under Assembly Occupancy)	One parking space for every 100 seats plus additional parking as in these Regulations for occupancies like those of restaurants, etc. within such stadia or clubs

Note:

(i) In gaathan/koliwada/Adivasipada are as and on narrow plots up to 9m in width, the requirement of parking spaces may not be insisted upon. Further in case of addition/alteration/reconstruction/redevelopment of Heritage Grade I & II structures where plinth/façade of building is required to be retained, requirement of additional parking spaces as per this Regulation, over and above the existing parking shall not be insisted.

(ii) The provision of parking spaces in case of redevelopment schemes under DCPR 33(5), 33(6), 33(7), 33(7)(A), 33(9), 33(9)(B), 33(10), 33(10) (A), 33(11), 33(15) & 33(20) (A) where sale component is proposed in separate building or in case of non-composite building, may be allowed as per the regular development.

(iii) In case of uses of Data Centre, Data ware houses, the requirements of the parking to the extent of 50% as stated in this regulation shall be permissible. However, in future if change of user/activity is sought in such case then provision of parking requirement as per this regulation will have to be provided.

(iv) In case of educational buildings Sr. No 2 of Table 21, school bus parking (3.75 m x 7.5 m each) at the rate of 1 bus for 40 Number of students for 50% strength of students may be provided at the option of owner/ developer

(3) **Other vehicles**-For all non-residential, assembly and non-assembly occupancies, 10 per cent additional parking spaces, subject to a minimum of two spaces shall be provided in addition to what is prescribed in these Regulations.

(4) **Two wheeled motor cycle** - Two wheeled motor cycle parking space one for every two residential tenements may be provided. For other occupancies, two wheeled motor cycle parking space equal to the required number of four wheeled parking spaces may be provided. If such parking for two wheeled motor cycle is proposed, the same may be distinctly shown in the plan.

(5) **Transport Vehicles**- In addition to the parking spaces provided for mercantile (commercial) buildings like offices, markets, departmental stores and for industrial and storage buildings, parking spaces for transport vehicles shall be provided at the rate of one space for each 2000 sq. m of floor area or part thereof exceeding the first 400 sq. m of floor area. The space shall not be less than 3.75mx 7.5 m in size and more than 6 spaces need not be insisted upon.

(6) **Parking Spaces:** Where to be accommodated-The parking spaces including mechanical/automated may be provided-

(a) Underneath the building, in basements, podiums, within its stilted portion, or on upper parking floors or in separate structures if exclusively used for parking.

Note:

(i) The deck parking inclusive of car lifts & passages thereto shall be counted in FSI. Moreover, in Mall, the provision of parking can be made at the floor level wherein shopping has been proposed,

separated by the construction of shear wall with a gap of 1.5 m. between Mall building and parking floor.

(ii) Additional parking spaces beyond the parking spaces as stipulated in this regulation at the option of developer is proposed then the construction area for the additional parking to the extent of 25% shall be allowed on payment of premium at the rate of 25% of ASR of open land (for FSI 1), beyond 25% and upto 50% on payment of premium at the rate of 50% of ASR of open land (for FSI 1) and beyond 50% on payment of premium at the rate of 100% of ASR of open land (for FSI 1). For this purpose, maximum area of construction per car parking space shall be considered at. 40 sq. m including the area required for effective maneuvering, passages, slopes/ramps columns, car lifts etc.

(iii) Where entire parking is proposed by mechanical/automatic means, additional parking to the extent of 10% of the required parking shall be permitted free of FSI as vehicle holding area.

(b) In the side and rear open spaces, but not in the amenity open spaces, if-

(i.) they are unenclosed but uncovered except as provided in (d) below;

(ii.) they do not consume more than 50 percent of the open space;

(iii) a minimum distance of 3 m around the building is kept free of parking for proper maneuverability of vehicles;

(iv) they are atleast 7.5 m from the road boundary in case of detached covered garages;

(v) the parking layouts meet the requirements of the Chief Fire Officer in the case of multistoried, high rise and special buildings.

(c) in a residential zone, beyond the compulsory side and rear open spaces stipulated in Sr. No g of Regulation 28 of, if other conditions under sub-rule (b) above are satisfied. Here the parking space may be an unenclosed covered space.

(d) in a residential zone, with covered parking garages with open type enclosures of a size of 2.5 m x 5.5 m with a height of 2.75 m above ground level, at the rate of one covered garage for every 400-sq.m or part thereof of plot area, in side or rear open spaces, at a distance of not less than 7.5 m from any street line or the front boundary of the plot:

Provided that the same is 1.5 m from the building and the condition in (b) (v) above is complied with.

**(7) Cinemas, Theatres and Assembly Halls**-Subject to the provisions of sub regulation (6) above, in sites of cinemas, theatres, auditoria and assembly halls, one row of uncovered parking may be allowed in the front margin space of 12 m or more, if the clear vehicular access way is not reduced to less than 6 m

**(8) Common Parking Space** if the total parking space required by these Regulations is provided by a group of adjoining property owners for their mutual benefit, such use of this space may be construed as meeting the off-street parking requirements under these Regulations subject to the approval of the Commissioner. If such common parking space is proposed for a group of buildings, the owners of such buildings shall submit a parking layout thereof and also a registered undertaking stating that the area earmarked for the parking space will not be built upon.

#### 45. **Restrictions on Development in certain areas**

*Height and other restrictions in certain areas*

##### **(A) Funnel of Vision**

**(a) Preserving the view from the Phirozshah Mehta Garden-**

Notwithstanding anything contained in these Regulations, to preserve the western view from the Phirozshah Mehta Garden on Malabar Hill, two funnels of visions have been marked on the land use (Development) plan of “D” Ward.

- (i) No development will be permitted in the inner funnel of vision, and
- (ii) a building within the outer funnel of vision shall not be erected or raised above Reduced Level 75.44; with reference to Town Hall Datum.

**(b) Preserving the eastern and southern view of the Backbay Area, Marine Drive-**

Notwithstanding anything contained in these Regulations, to preserve the eastern and southern view of the Backbay and the Marine Drive area from Kamla Nehru Park on Malabar Hill, a funnel of vision has been marked on the land use (development) plan of “D” Ward.

No building shall in this funnel of vision shall be raised or erected to the height of more than 21.35 m or such lesser height as the Commissioner may prescribe which would include the terrace, staircase or lift room, elevated water storage tank or any other building feature.

Provided that the Commissioner may, permit a building more than 21.35 m high after due consideration of the contours of the area, surrounding developments and plot location, the objective being not to obstruct the view within the funnel of vision. For this purpose the Municipal Commissioner shall get prepared a detailed report/ Model from IIT, Mumbai considering the datum level of each plot falling within the funnel, so as to ascertain the permissible height in such each plot

(c) The Commissioner may, for reasons to be recorded in writing, prescribe for any building or structure a maximum height, which may be less than that permissible otherwise under these Regulations.

(d) The height restriction as in clauses (a) and (b) above will apply only to the portion of plot falling within the lines of the funnel of vision as marked on the DP

**(B) Height restrictions in the vicinity of aerodromes**

(I) For structure, installations or buildings including installations in the vicinity of aerodromes,

- a) The height shall be restricted to permissible top elevation as mentioned on Colour Coded Zoning Maps (CCZM) prepared by the Airport Authority of India (AAI) published on its web site.
- b) For any additional height beyond that mentioned in a) above, prior NOC from AAI shall be submitted.
- c) For the areas depicted in red colour on CCZM prior NOC from AAI shall be submitted.

Note-

The height permitted by CCZM is indicated Above Mean Sea Level i.e AMSL

Building height permitted i.e. Above Ground level (AGL) shall be calculated as CCZM height minus the site elevation of the plot.

Height of building (AGL)=CCZM height – site elevation.

Note: Provided that if due to the aforesaid restrictions, the Zonal (Basic) FSI/Protected BUA as per Regulation No. 30 (C) cannot be consumed fully, then the unconsumed Zonal (Basic) FSI/Protected BUA can be availed in the form of TDR .

Explanation(I) Irrespective of their distance from the aerodrome, even beyond the 20-km limit from the aerodrome reference point, no building, radio masts or similar installation exceeding 150 m in height shall be erected without the permission of the Civil Aviation Authorities.

(II) The location of a slaughter house/abattoir/butcher house or other areas for activities like depositing of garbage which may encourage the collection of high flying birds, like eagles and hawks, shall not be permitted within 10 km from the aerodrome reference point.

**(C) Building sites abutting railway track boundary-** Subject to the requirements of set-backs from roads and side and rear marginal open spaces under the relevant Regulations, no new construction of a building or reconstruction of an existing building shall be allowed within a distance of half the height of the said building from the railway track boundary, and in any case not within a distance of 3 m from such boundary.

Building sites situated within 30 m from Railway Track Boundary:

No Objection Certificate from the concerned railway shall be insisted upon before granting Commencement Certificate for the proposed building between the railway track boundary and the distance of 30 m from it. The development of such plot shall be carried out as per terms and conditions stipulated by the Railway Authority.

No NOC from Railway Authority will be required wherever any construction is undertaken beyond 30 m from the Railway track boundary subject to the condition that no part of building shall project within 30 m from the Railway track boundary.

**(D). Distance from electricity lines-** No verandah, balcony or the like shall be constructed/reconstructed or any additions or alterations shall be made to a building on a site within the distance stated below from any overhead electric supply line:

		Vertically	Horizontally
(a)	Low and medium voltage lines and service lines	2.5 m	1.2 m
(b)	High voltage lines upto and including 33,000 V.	3.7 m	2.0 m
(c)	Extra High voltage beyond 33,000 V.	3.7 m (Plus 0.3 m for every additional 33,000 V or part thereof)	2.0 m (Plus 0.3 m for every additional 33,000 V or part thereof)

Explanation- (i) the minimum clearance as above shall be measured from the maximum sag for vertical clearance and maximum deflection due to wind pressure for horizontal clearance.

(ii) In the development of plot affected by overhead transmission electric lines the portion of plot under overhead electric supply lines may be used as LOS as required under Regulation No 27 by observing all safety measures without allowing any habitable construction in the said LOS under said Regulation and shall be free of encumbrances.

The electric company shall phase out removal of these overhead electric supply lines in time bound manner as per prevailing section of Central Electricity Authority Regulations, 2010.



**(E) Other restrictions in height-** For the purpose of operational requirement of buildings, structures or installations or for the purpose of telecommunications or other forms of communications of the Departments of the Government of India or the State Government or public sector undertakings, the Commissioner may for reasons to be recorded in writing, restrict the height of any building in the vicinity of such buildings, structures or installation, and may also permit the prescribed heights to be exceeded for such buildings, structures or installations themselves or for any other statutory communication requirement.

**(F) Restriction on Development of sites of existing Fuel Station-**

Notwithstanding anything contained in these regulation, in the redevelopment sites of existing filling and service station of Petrol, Diesel, Compressed Natural Gas or any other Motor Vehicle Fuel, change of use may be permitted by retaining minimum area required as per these Regulations for existing filling and service station of Petrol, Diesel, Compressed Natural Gas or any other Motor Vehicle Fuel, for the uses as permissible under these Regulations with separate plot & access subject to NOC from Controller of Explosive and CFO.

**(G) Structures not included in reckoning height-**

The following appurtenant structures shall not be included in reckoning the height of a building except while considering the requirement of Civil Aviation Authorities and other statutory communications requirements:

Roof tanks and their supports, ventilation/air-conditioning shafts, lift-rooms and similar service equipment, stair covers, chimneys and parapet walls, architectural features not exceeding 1.5 m in height, television antenna, booster antenna, IT Equipment and wireless transmitting and receiving towers.

Govt. will prepare a separate policy. **(Kept in Abeyance)**

**46. Signs and Outdoor Display Structures**

(1) National Building Code to apply- The display of advertising signs and outdoor display structures on buildings and land shall be in accordance with Part X-Signs and Outdoor Display Structures, National Building Code of India as amended from time to time.

(2) Residential/Commercial/Industrial Building-The following non-flashing and neon signs with illumination not exceeding 40 Watt light-

(a) One name plate with an area not exceeding 0.1 sq. m for each dwelling unit/unit.

(b) For other uses, permissible in the zone, one identification sign or bulletin board with an area not exceeding 10 sq. m provided the height of the sign does not exceed 1.5 m.

(c)"For sale" or "For rent" signs for real estate, not exceeding 2 sq. m in area provided they are located on the premises offered for sale or rent.

(3)No advertising sign or outdoor display structures shall be permitted on buildings of architectural, aesthetical, historical or heritage importance as may be decided by the Commissioner, or on Government buildings, save that in the case of Government buildings only such advertising signs or

outdoor display structures may be permitted that relate to the activities of the said buildings and related programs.

(4) In no case, the sign/display structure erected on buildings shall exceed the height of topmost part of the Building/height prescribed by the Civil Aviation Authority

(5) No signs /display structure shall obstruct the light and ventilation of the building.

## PART IX URBAN SAFETY REQUIREMENTS

### 47. Fire Protection Requirements

(1) **General:** The planning, design and construction of any building shall be such as to ensure safety from fire. For this purpose, unless otherwise specified in these Regulations, Fire Protection Chapter, National Building Code as amended time to time shall apply.

For high rise and special buildings, additional provisions relating to fire protection contained in Appendix I shall also apply,

(A) For proposal under regulations 33(5), 33(6),33(7),33(7)(A),33(9),33(9)(A), 33(9)(B), 33(10), 33(10)(A), 33(11), 33(15), 33(20)(A)

a) In case of rehabilitation/composite buildings having height more than 32 m up to 70 m, at least one side other than road side, shall have clear open space of 6 m at ground level, accessible from road side.

Provided, if the building abuts another road of 6 m or more, this condition shall not be insisted upon.

Provided if the building abuts on two roads having width of 6.0 m, the clear space of 9m shall be available including abutting Road in front of the building and the 6m roads shall be connected to the road of having width of at least 9m.

However, if podium is proposed it shall not extend beyond 6 m from building line so as to have clear open space of 6 m at ground level beyond podium accessible for fire appliances.

No ramps for the podium shall be provided in these side open spaces.

b) In case of rehabilitation/composite buildings having height more than 70 m, at least one side other than road side, shall have clear open space of 9 m at ground level, accessible from road side.

However if the podium is proposed it shall not extend beyond 6m from building line and shall have clear open space of 9m at ground level OR if the podium is proposed it shall not extend beyond 6m from building line and shall have clear open space of 6 m beyond podium & 9m at ground level with clear height of 4.5 m from ground to podium (below soffit of the beam) for accessibility of fire appliances.

No ramps for the podium shall be provided in these side open spaces.

(B) For the proposals, other than (A) above

(a) Buildings having height more than 32 m upto 70 m, at least one side, accessible from road side, shall have clear open space of 9 m at ground level.

Provided, if the building abuts another road of 6 m or more and clear space of 9m at ground level is available including abutting road or building abuts another road of 9m then this condition shall not be insisted upon.

However, if the podium is proposed it shall not extend beyond 6m from building line and shall have clear open space of 9m at ground level OR if the podium is proposed it shall not extend beyond 6m from building line and shall have clear open space of 6m beyond podium & 9m at ground level with clear height of 4.5 m from ground to podium (below soffit of the beam) for accessibility of fire appliances.

No ramps for the podium shall be provided in these side open spaces.

- (b) Buildings having height more than 70 m, at least two sides, accessible from road side, shall have clear open space of 9 m at ground level.

However, if the podium is proposed it shall not extend beyond 6 m from building line and shall have clear open space of 9 m at ground level OR if the podium is proposed it shall not extend beyond 6m from building line and shall have clear open space of 6 m beyond podium & 9m at ground level with clear height of 4.5 m from ground to podium (below soffit of the beam) for accessibility of fire appliances.

No ramps for the podium shall be provided in these side open spaces.

- (c) Courtyard/ramp/podium accessible to fire fighting appliances (fire engines and other equipment) shall be capable of taking the load up to 10 Kg/cm<sup>2</sup>.
- (d) These open spaces shall be free from any obstruction & shall be motorable.

**Note-**The additional fire safety requirements shall be as per fire manual approved by Municipal Commissioner based on the Fire Act and Fire Protection Chapter of NBC amended time to time.

(2) **Construction Materials:**

- a) All construction material used in stairways, corridors and façades shall be non-combustible/fire resistance.
- b) Materials used for interior finishes shall not have a flame spread ability rating exceeding Class I, section 3.4.15.2 and 3.4.15.3 of Part 4 of National Building Code & amended from time to time.

- (3) **Exits:** Every building meant for human occupancy shall be provided with exits sufficient to permit safe escape of its occupants in case of fire or other emergency for which the exits shall conform to the following:

- (i) **Types:** Exits should be horizontal or vertical. A horizontal exit may be a door-way, a corridor, a passage-way to an internal or external stairway or to an adjoining building, a ramp, a verandah or a terrace which has access to the street or to the roof of a building. A vertical exit may be a staircase or a ramp, but not a lift.

- (ii) **General requirements:** Exits from all the parts of the building, except those not accessible for general public use, shall-

(a) provide continuous egress to the exterior of the building or to an exterior open space leading to the street;

(b) be so arranged that, except in a residential building, they can be reached without having to cross another occupied unit;

(c) be free of obstruction;

(d) be adequately illuminated;

(e) be clearly visible, with the routes reaching them clearly marked and signs posted to guide any person to the floor concerned;

(f) be fitted, if necessary, with firefighting equipment suitably located but not as to obstruct the passage, clearly marked and with its location clearly indicated on both sides of the exit way;

(g) be fitted with a fire alarm device, if it is either a high-rise, high-use or a special building so as to ensure its prompt evacuation;

(h) remain unaffected by any alteration of any part of the building so far as their number, width, capacity and protection thereof is concerned;

- (i) be so located that the travel distance on the floor does not exceed the following limits: -
- (i) Residential, educational and institutional: 22.5 and 30 m with sprinklers in passages and Corridors.
- (ii) Assembly, starred category hotels business, mercantile, industrial, hazardous occupancies and storage buildings: 30m

Note- The travel distance to an exit from the dead end of a corridor shall not exceed half the distance specified above. When more than one exit is required on a floor, the exits shall be as remote from each other as possible:

Provided that, in case of high rise and special buildings, a minimum of two enclosed type staircases shall be provided, at least one of them opening directly to the exterior, to an interior open space or to any open place of safety.

(iii) *Number and width of exits*

The width of an exit, stairway/corridor and exit door to be provided at each floor in occupancies of various types shall be as shown in columns 3 and 5 of Table No 22 here under. Their number shall be calculated by applying to every 100-sq.m of the plinth or covered area of the occupancy, the relevant multiplier in columns 4 and 6 of the said Table, fractions being rounded off upward to the nearest whole number.

**Table No: 22**

**Width and Number of Exits for various Occupancies**

Serial No.	Type of Occupancy	Stairway/Corridor		Door Minimum width in m	Exit Multiplier
		Minimum width in m	Multiplier		
(1)	(2)	(3)	(4)	(5)	(6)
1	Residential Dwellings	1.2	0.145	....	} 0.053
	row-housing/Duplex Flats (2 storeys)	0.90	0.213		
	hotels	1.5	0.107		
2	Educational- -upto 32m high	1.5	0.333	....	} 0.667
	-over 32 m high	2.0	0.250	....	
3	Institutional i.e. Hospitals- -upto 10 beds	1.5	0.089*		0.044
	-over 10 beds	2.0	0.067*	....	0.044

4	Assembly** -fixed seats or loose seats and dance floor.	.... 2.0	.... 0.694	1.0 ....	.... 0.926
	-no seating facilities and dining rooms	2.0	0.278	....	0.370
5	Mercantile- -street floor and basement	1.5	0.222	.....	0.222
	-upper sales floors	1.5	0.111		0.111
6	Business, Industrial	1.5	.067	....	0.067
7	Storage	1.5	.022	....	0.022
8	Hazardous	1.5	.133	....	0.125

\*For the dormitory portions of homes for the aged, orphanages, mental hospitals, etc., these multipliers shall be doubled.

\*\*The plinth or covered area shall include, in addition to the main assembly rooms or space, any occupied connecting room or space in the same storey or in the storey above or below where entrance is common to such rooms and space and they are available for use by the occupants of the assembly place.

No deductions shall be made in the gross area of the corridors, closets or other sub-divisions. All space serving the particular assembly occupancy shall be reckoned.

#### 48. **Requirements of Exits**

The detailed requirements of individual exits at each floor are given below:

##### (1) **Corridors:**

- (a) Exit corridors shall be of a width not less than the total required width of exit doorways leading from them in the direction of travel to the exterior/stairway.
- (b) Where stairways discharge through corridors, the height of the corridors shall not be less than 2.4 m.
- (c) Where there is more than one staircase serving a building, there shall be at least one smoke-stop door in the space between the staircases.

##### (2) **Doorways:**

- (a) Every exit doorway shall open into an enclosed stairway, a horizontal exit or a corridor or passageway providing continuous and protected means of egress;
- (b) An exit doorway shall open outwards i.e. away from the room, but shall not obstruct the travel along any exit. No door, when opened, shall reduce the required width of a stairway or landing to less than 90 cm.
- (c) An exit door shall not open immediately upon a flight of stairs; a landing equal to atleast the width of the door shall be provided in the stairway at each doorway; the level of the landing shall be the same as that of the floor which it serves.
- (d) Exit doorways shall be open able from the side which they serve, without the use of a key.

**(3) Revolving doors:**

- (a) Revolving doors shall not be used as required exits except in residential, business and mercantile occupancies; they shall not constitute more than half the total required door width.
- (b) When revolving doors are considered as required exit ways-
  - (i) the multiplier in Table 22 shall be increased by 33 1/3 per cent, and;
  - (ii) revolving doors shall not be located at the foot of a stairway. Any stairway served by a revolving door shall discharge through a lobby or foyer.

**(4) Internal stairways-**

- (a) Stairways shall be constructed of non-combustible materials throughout.
- (b) Any interior staircase shall be constructed as a self-contained unit with at least one side adjacent to an external wall and shall be completely closed.
- (c) A staircase shall not be arranged around a lift shaft unless the latter is entirely enclosed by a material of fire resistance rating as that for type of construction itself. For high rise and special buildings, the staircase location shall be to the satisfaction of the Chief Fire Officer.
- (d) In high rise and special buildings, access to main staircases shall be gained through at least half-an-hour fire-resisting automatic closing doors, placed in the enclosing walls of the staircases. They shall be swing type doors opening in the direction of the escape.
- (e) No living space, store or other space, involving fire risk, shall open directly into a staircase.
- (f) The external exit door of a staircase enclosure at ground level shall open directly to the open space or should be accessible without passing through any door other than a door provided to form a draught lobby.
- (g) In high rise and special buildings, exit signs with arrows indicating the escape route shall be provided at a height of 1.5 m from the floor level on the wall and shall be painted with fluorescent paint. All exit way signs should be flush with the wall and so designed that no mechanical damage to them can result from the moving of furniture or other heavy equipment.
- (h) Where a building has a single staircase, it shall terminate at the ground floor level, and the access to the basement shall be by a separate staircase. Where the building is served by more than one staircase, one of the staircases may lead to the basement level, by either a ventilated lobby or a cut-off screen wall without opening, having a fire resistance of not less than 2 hours with discharge point at two different ends or through enclosures. It shall also be cut-off from the basement area at various basement levels by protected and ventilated lobby/lobbies. Staircase leading from basement shall be staggered at ground floor and then diverted to upper floors

**(5) (A) Additional Staircase:**

- (a) In case of high-rise Residential buildings of 70 m or less, additional staircase shall be necessary.  
Provided, however, it will not be necessary, if,
  - (i) Travel distance does not exceed that mentioned in sub regulation (3)(ii)(i)(I & ii) of regulation 47 and;
  - (ii) If floor area on any floor does not exceeds 500 sq. m

Note: These staircases shall be of enclosed type having minimum width of 1.5m.
- (b) Buildings having height 70 m or more, shall be provided with two enclosed type staircases, each having width not less than 2.0 m.

- (c) Whenever two staircases are necessary, both the staircases shall open & terminate at ground floor or to any other place of safety. The staircases shall be as remote as possible from each other
- (d) Staircase leading from basement shall be staggered at ground floor and then diverted to upper floor
- (e) The fire escape staircase other than one required per building/wing shall be free of FSI without charging premium.

**(B)**In case of Institutional/Special Buildings, non-residential high-rise buildings minimum two staircases shall be necessary.

**(6) Fire Escape Balcony:**

- (a) For industrial buildings, a fire escape balcony not exceeding 1.5 m in width shall be provided at the periphery of every floor level and shall be connected to staircase and shall have a railing / parapet of 1.1 m height on external sides.
- (b) Requirement of Fire Escape Balcony
  - (i) It shall always be kept free from obstructions & no partitions shall be erected.
  - (ii) It shall be provided with wall type sprinklers at every floor level.

Note: Fire Escape balcony shall be counted in FSI.

**(7) Ramp:**

- (a) All the requirements of sub regulation (4) of this Regulation shall apply to any ramp as they apply to a staircase.
- (b) Ramps shall lead directly to outside open spaces at ground level or courtyards or other safe places.
- (c) In a high rise and special building, access to ramps from any floor shall be through a smoke-stop door.

**(8) Refuge area**

- (a) (i) The refuge area shall be preferably provided within building line at floor level.
  - (ii) In case of high rise buildings having height more than 32 m, first refuge area shall be provided at 24 m or at 1st habitable floor, whichever is higher. Thereafter, the refuge area shall be provided at every 7th habitable floor. The refuge area shall be 4% of the habitable floor area it serves, and will be free of FSI. With the permission of Commissioner due to planning constraints it may be allowed to be exceeded up to maximum limit of 4.25%. If it exceeds 4.25%, the excess area shall be counted in FSI.
- (b) For buildings having height upto 70 m, as an alternate, Refuge areas can be provided as RCC cantilever projections at the alternate mid-landing levels of staircase, free of FSI. Each refuge area at mid-landing shall have a minimum width of 3.0 m, and minimum area of 10.0 sq. m for residential and 15 sq. m for non-residential buildings.
- (c) In case of buildings upto 32 m height, the terrace floor of the building shall be treated as the refuge area.

**(9) Fire Escape Chutes/ Controlled Lowering Device for evacuation-**

- (A) (i) High rise building having height more than 70 m shall necessarily be provided with fire escape chute shaft/s for every wing adjacent to staircase.
  - (ii) Walls of the shaft shall have 4 hours' fire resistance.



- (iii) One side of the shaft shall be at external face of the building with proper ventilation.
- (iv) The dimension of the shaft shall not be less than 2.5 m x 1.5m.
- (v) The access to the fire escape chute's shaft shall be made at every floor level from lobby area or from staircase mid-landing with self-closing door having fire resistance of at least one hour.
- (vi) The fire chute shall be of staggered type with landing of each section at the vertical height of not more than 21 m.

Alternatively,

(B) For High rise building having height more than 70 m, shall be provided with fire tower at landing/ mid-landing level with smoke check lobby with fireman lift being integral part of the fire escape staircase or fire evacuation lift (Hydro pneumatic/ electrically operated) on the external face of the building having opening within the fire escape staircase at landing/ mid-landing level with smoke check lobby as approved by CFO shall be provided.

Note- Both the smoke check lobby with evacuation lift shall have positive level difference of minimum 75 mm with respect to staircase landing or mid-landing level to avoid ingress of water in fireman lift shaft.

#### 49. **Structural Safety and Services**

##### (1) **Structural Design:**

(a) The structural design of foundations, elements made of masonry, timber, plain concrete, reinforced concrete, pre-stressed concrete and structural steel shall conform to the provisions of Part VI Structural Design Section 1- Loads, Section 2-Foundation, Section 3-Wood, Section 4-Masonry, Section 5-Concrete, Section 6-Steel, National Building Code of India and as per relevant IS code.

(b) The structural design shall comply with Indian Standard Codes of structural design for structural safety, seismic safety and against cyclone/wind storms as listed below and as amended upto date:

- a. Indian Standard Code of Practice for Earthquake Resistant Design IS1893, IS4326
- b. Indian Standard Seismic Code of Practice for Seismic Design IS1893(Part1):2002
- c. Indian Standard Code of Practice for Wind Pressure (IS:1875Part3-1987)
- d. IS Code as would be made applicable by Bureau of Indian Standard from time to time

##### (2) **Structural Safety for Protection of Buildings against Natural Hazard:**

In Natural Hazard, prone areas viz, Earth quake Prone areas as per IS: 1893, the cyclone prone areas as per IS: 875 Part-3 and flood prone areas as per the Flood Atlas prepared by the Central Water Commission and/or the Disaster Management Department of MCGM, development shall be regulated to ensure special protection from hazards for any type of development irrespective of use of zones.

The supervision certificate and the completion certificate of every such building shall contain a certificate recorded by the Structural Engineer that the norms of IS: 1893-2002 have been followed in the design and construction of buildings for making the buildings resistant to earthquake and compliance with other structural safety and fire safety requirements

It will be the responsibility of the structural engineer on Record for adequacy of structural design & safety of structure as specified in as per sub-regulation (1) above and execution of work as per structural design.

The instructions of structural engineer structural design, safety & execution of work are binding on owner/ developer & professionals on record including contractor engaged for the work. The noncompliance of the instructions of the structural engineer shall be intimated to Commissioner.

(3) **Quality of materials and workmanship:**

- i. The quality of all materials and workmanship shall conform to accepted standards and Indian Standard Specifications and Codes as included in Part V Building Materials and Part-VII Constructional Practices and Safety, National Building Code of India amended from time to time.
- ii. All burrow pits dug in the course of construction and repair of buildings, roads, embankments, etc., shall be deep and connected with each other in the formation of a drain directed towards the lowest level and properly stepped for discharge into a river, stream, channel or drain, and no person shall create any isolated burrow pit which is likely to cause accumulation of water that may breed mosquitoes.

(4) **Tests:**

Whenever there is insufficient evidence of compliance with the provisions of these Regulations or evidence that any material or method of design or construction does not conform to the requirements of these Regulations, in order to substantiate claims for alternative materials, designs or methods of construction, the Commissioner may require tests, sufficiently in advance, as proof of compliance. These tests shall be made by an approved agency at the expense of the owner as follows:

(1)**Test Methods:** Test method shall be as specified by these Regulations for the material or design or construction in question. If there are no appropriate test methods specified in these Regulations, the Commissioner shall determine the test procedure. For methods of tests for building materials, reference shall be made to the relevant Indian standards as given in the National Building Code of India published by the Bureau of Indian Standards.

(2)**Test Results:** Copies of the results of all such tests shall be submitted to the Commissioner.

**50. Building services**

(1) **Electrical installation:** The planning, design and installation of electrical air-conditioning and heating work shall conform to the provisions of Part VIII Building Service Section 2- Electrical Installations. Section 3- Air-conditioning and Heating National Building Code of India.

(2) **Lifts:**

(a) **Planning and design:** The planning and design of lifts including their number, type and capacity depending on the occupancy of the building, the population on each floor based on occupant load and the building height shall be in accordance with section 5- Installation of lifts and Escalators, National Building Code of India.

(b) **Maintenance:**

(i) The lift installation should receive regular cleaning, lubrication, adjustment and adequate servicing by authorized competent persons at such intervals as the type of equipment and frequency of service demand. In order that the lift installation is maintained at all times in a safe condition, a proper maintenance schedule shall be drawn up in consultation with the lift manufacturer and rigidly followed. A log book to record all items relating to general servicing and inspection shall be maintained. The electrical circuit diagram of the lift with the sequence of operation of different components and parts shall be kept readily available for reference by

persons responsible for the maintenance and replacement, where necessary, to the satisfaction of the competent authority i.e., Lift Inspector of the Government of Maharashtra.

(ii) Any accident arising out of operation or maintenance of the lifts shall be duly reported to the competent authority i.e., Lift Inspector of the Government of Maharashtra.

## PART X SPECIAL PROVISIONS

### 51. *Parking Authority*

MCGM, with approval of Corporation in consultation with GoM, shall constitute a Parking Authority at MCGM level to plan, regulate and manage all on/off street parking and public parking places under the physical jurisdiction of Greater Mumbai. The constituted Parking Authority, inter alia, will fix and promulgate parking fees as well as penalties for various areas/zones in MCGM.

### 52. *Conservation of Heritage*

#### 1. *Definition:*

(i) "Conservation" means all the processes of looking after a place so as to retain its historical and/or architectural and/or aesthetic and/or cultural significance and includes maintenance, preservation, restoration, reconstruction and adoption or a combination of more than one of these.

(ii) "Preservation" means and includes maintaining the fabric of a place in its existing state and retarding deterioration.

(iii) "Restoration" means and includes returning the existing fabric of a place to a known earlier state by removing accretions or by reassembling existing components.

(iv) "Heritage Site" means the area within the boundary / extent of the heritage building / Precinct / natural area included in the heritage list and as shown on the map.

(v) "Natural heritage site" shall include, natural sites or precisely delineated natural areas which are of outstanding value from the point of view of science, heritage conservation or natural beauty; geological and physiographical formations and precisely delineated areas which constitute the habitat of threatened species of animals and plants and are of outstanding value from the point of view of ecology or conservation; natural features consisting of physical and biological formations or groups of such formations, which are of outstanding (special) value from the aesthetic or scientific point of view.

#### 2. *Applicability:*

This Regulation shall apply to the heritage list as shall be notified by GoM from time to time (hereinafter referred to as Listed Heritage Buildings/Structures/Precincts/Sites) and to any draft Heritage List (s) as published by the GoM. /Municipal Commissioner.

#### 3. *Restriction on Development/Redevelopment/Repairs, etc.:*

(i) Development, additions / alterations, repairs, restoration, in respect of graded heritage buildings or buildings in heritage precincts or heritage sites shall be in accordance with the provisions mentioned at 9 (C & D) of this regulation.

(ii) Provided that in exceptional cases, for reasons to be recorded in writing, using his powers of special permission, the Commissioner, may overrule the recommendation of the MHCC. The decision of the Municipal Commissioner shall not be subject to challenge by the MHCC thereon shall be final.

(iii) In relation to religious buildings in the said List, the changes, repairs, additions, alterations and renovations required on religious grounds mentioned in sacred texts or as a part of holy practices laid down in religious codes shall be treated as permissible, subject to their being in accordance and consonance with the original structure and architecture designs, aesthetics and other special features thereof. Provided that before arriving at his decision, the Commissioner shall take into consideration the recommendations of the Mumbai Heritage Conservation Committee.

**4. Preparation of list of Heritage Buildings and Heritage Precincts:**

The said heritage list of Heritage Buildings/Structures/Precincts to which this Regulation applies shall not form part of this Regulation for the purpose of Sections 37 of the MR&TP Act, 1966. This List may be supplemented, altered, deleted or modified from time to time by Government on receipt of proposals from the Commissioner or by the Government suo-motu, provided that objections and suggestions from the public be invited and duly considered by the Commissioner and/or by GoM before notification.

Provided that any draft list which is published and pending for the approval of GoM shall, in the interim period, be deemed to be part of the heritage list and provisions of this regulation shall be applicable to the said draft list.

**5. Grant of Transferable Development Rights in case of loss of Development Rights -**

Owners of heritage buildings, structures, sites will, on application for preservation /conservation/restoration of the heritage buildings/structures/sites or if any application for development of Heritage Building/s is refused under this Regulation and conditions are imposed while permitting such development which deprive the owner/lessee of any unconsumed DRs will be entitled for grant of DRC in terms of TDR as provided in these Regulations. The extent of TDR permissible will be the difference between Zonal (basic) FSI plus area of plot and the consumed BUA of the Heritage structure. The grant of TDR shall be subject to a contract between the owner/lessee and MCGM binding the owner/lessee to conserve the heritage building in the prescribed manner as recommended by MHCC and approved by Municipal Commissioner. In such cases the potential of the plot shall be perpetually reduced to the extent of existing BUA of the Structure.

The TDR may be given in two stages

- i. An appropriate % of the available DRC after approval of plans for the conservation of the heritage structure will be granted by the Municipal Commissioner on the recommendations of the MHCC.
- ii. After getting completion certificate for the conservation of the heritage structure from the appropriate authority and on recommendation of the MHCC, whatever is considered appropriate of the residual or entire residual DRC will be granted by the Municipal Commissioner.

**6. Maintaining Sky-Line:**

Buildings included in listed/published draft Heritage Precincts shall, as far as possible, maintain the sky-line in the precincts as may be existing within the Precinct boundary excluding any high-rise new development. so as not to diminish or destroy the value and beauty of the said listed Heritage buildings/Heritage Precincts. The development within the precincts shall be in accordance with respective Precinct guidelines as formulated by the Municipal Commissioner in consultation with MHCC or as may be decided by the Municipal Commissioner, shall require sanction by Government. Guidelines for display of hoarding, signage, advertisement boards, street furniture, pavement shall be formulated by the MHCC.

**7. Heritage Conservation Fund:**

Non-cessed buildings included in the said list shall be repaired/restored by the owners/lessees of the said buildings themselves or if they are cessed buildings, those can be repaired/restored by MHADA or by the owner or by the Co-operative Society of the owners and/or occupiers of the building. With a view to give monetary help for such repairs/restoration, a separate fund may be created, which would be kept at the disposal of the Commissioner, who may consult Heritage Conservation

Committee while disbursement of such funds. Provisions for such a fund may be made through District Planning and Development Council Budget or any other budget.

#### **8. Development Plan Reservation:**

If there are any DP Reservations on listed heritage structure and due to development of such site if adversely affects its character, then Municipal Commissioner on recommendation of MHCC shall initiate the process of modification/deletion of such reservation following due procedure.

#### **9. Grading of the Listed Buildings/ Sites & Listed Precincts:**

In the last column of the said list of Heritage Building, Heritage precincts, “Grades” such as I, II, or III have been indicated. The chart showing definition meaning of these Grades and basic guidelines for development permissions and Precincts, objectives, scope for changes and procedure for obtaining development permission are as follows

Grade – I	Grade – II	Grade – III/PRECINCT
<p>A. Definition –</p> <p>Heritage Grade – I comprises buildings, and precincts sites of national or historical importance, embodying excellence in architectural style, design, technology and material usage; they may be associated with a great historical event, personality, movement or institution. It may also comprise natural sites of heritage value eg. Waterfronts, creeks, mangroves, Hillocks, forest lands, open spaces, etc. They have been and are the prime landmarks of the City.</p> <p>Vista of Grade I :</p> <p>An area within 100 m. Periphery or as may be delineated on plan by the Municipal Commissioner in consultation with MHCC shall be considered as the vista of a Grade – I structure/entry.</p>	<p>A. Definition –</p> <p>Heritage Grade - II comprises building/ precincts, of regional or local importance, possessing special architectural or aesthetical merit or cultural or historical value, though of a lower order than that of Heritage Grade - I. They are local landmarks contributing to the image and identity of the city. They may be the work of master craftsmen or may be models of proportion and ornamentation, or designed to suit particular climate.</p> <p>Heritage Grade - II buildings within the premises (open space/compound) of which independent/separate additional building(s) /structure(s) may be permitted to be constructed, owing to the availability of adequate surrounding open space and unconsumed FSI, have been assigned Grade- IIB. The remaining Grade- II buildings have been assigned Grade –IIA.</p>	<p>Definition –</p> <p>Grade – III</p> <p>Heritage Grade -III Comprises buildings and precincts of importance for townscape, they evoke architectural aesthetic or sociological interest though not as much as in Heritage Grade – II. These contribute to determine the character of the locality, and can be representative of a life style or a particular community or region and may also be distinguished by setting on a street line or special character of the façade and uniformity of height, width and scale.</p> <p>PRECINCT</p> <p>A. Definition –</p> <p>A heritage precinct is an area of heritage value and cultural significance. Such area within a specified boundary may possess a setting reminiscent of significant urban scape / townscape attributes and comprising a number of buildings and spaces, within a structure of streets / roads and other landscapes and qualifies to have cultural or heritage significance worthy of recognition and conservation.</p> <p>Such area espouses special quality of cohesiveness (mass, scale, style, architecture etc.) between</p>

Grade – I	Grade – II	Grade – III/PRECINCT
		its various elements, lending a unique sense of place and cultural setting.
<p>B. Objective—</p> <p>Heritage Grade – I richly deserves careful preservation.</p>	<p>B. Objective—</p> <p>Heritage Grade – II deserves intelligent conservation.</p>	<p>Objective—</p> <p>Grade – III</p> <p>Heritage Grade -III Deserves protection of unique features and attributes.</p> <p>PRECINCT</p> <p>Precincts deserve sensitive development in terms of mass, scale, setting and require conservation of its heritage and cultural significance.</p>
<p>C. Scope for Changes – i)No interventions would be permitted either on the exterior or interior unless it is necessary in the interest of strengthening and prolonging the life of the buildings or any part or features thereof. For this purpose, absolutely essential and minimum changes would be allowed and they must be in accordance with the original.</p> <p>Repairs shall follow conservation norms based on proven standards with use of like to like or similar material.</p> <p>ii)Additional buildings /new interventions in a Grade-I complex shall be permitted only if the development does not mar the grandeur, scale, setting and view of the main Grade-I structure and the new development is in harmony with the main heritage structure.</p> <p>iii)Development in surrounding area/vista :</p> <p>All the development (excluding repairs) in the vista of a Grade - I heritage, within 100 m.</p>	<p>Scope for development ---Grade - II A: In addition to the scope for development permissible for Grade –I, internal changes, and adaptive reuse may be generally allowed. In certain circumstances, extension of a Grade - IIA heritage building may also be allowed; provided that such extension shall be in harmony with (and shall not detract from) the Grade - II A heritage building concerned or precinct, especially in terms of height and/or façade. External changes too may be permitted, subject to strict scrutiny. Care should be taken to ensure the conservation of all special aspects/features of Grade – II A building concerned.</p> <p>Grade –II(B):</p> <p>In addition to above, additional building(s) in the same plot or compound may, in certain circumstances, be allowed; provided that, such additional building(s) shall be in harmony with (and shall not detract from) the Grade-IIB heritage building(s) or precinct, especially in terms of height and/or façade</p>	<p>Grade – III</p> <p>External and internal changes and adaptive reuse would generally be allowed. Changes can include extensions / additional buildings in the same plot or compound provided that extension / additional building is in harmony with and does not detract from the existing heritage building / precincts especially in terms of height and/or façade.</p> <p>ii) Reconstruction / redevelopment shall be allowed with the permission of Commissioner as detailed below.</p> <p>PRECINCT</p> <p>i)Sensitive additions, alterations, extensions, interior renovations shall be permissible but these should not alter the character of the precinct. The new interventions could be contemporary but subtle or inspired by the original character but should not be a pastiche/ tasteless imitation of it.</p> <p>ii) Essential structural and non-structural repairs shall be allowed for structural stability while</p>

Grade – I	Grade – II	Grade – III/PRECINCT
<p>Periphery or as may be delineated on plan, shall be regulated and controlled ensuring that it does not mar the grandeur of or views from Heritage Grade – I.</p> <p>Development permission may be granted within this regulated area provided that the proposed development does not mar the grandeur, scale and setting of, or view of or from Heritage Grade-I.</p> <p>In case of world Heritage sites, the directives given by the Govt. from time to time will be applicable.</p>	<p>and such building shall be termed as Grade-II (B).</p>	<p>retaining the original architectural features.</p> <p>iii) Reconstruction / redevelopment shall be allowed with the permission of Commissioner as detailed below.</p>
<p>D. Procedure</p> <p>Development permission for the changes shall be given by the Commissioner in consultation with/taking into consideration the recommendation of the MHCC</p> <p>Repairs to existing structures in delineated vista of a Grade-I structure shall be permissible as per these Regulations/policy without insisting NOC of MHCC.</p>	<p>Development permission shall be given by the Commissioner in consultation with/taking into consideration the recommendation of the MHCC.</p>	<p>Grade – III</p> <p>a) In respect of minor/structural repairs, periodic maintenance (e.g. Waterproofing, repairs to flat/ sloping roof, existing plumbing, re-plastering), interior renovation / furniture work etc. in respect of a Grade-III heritage structure; approval may be granted by Commissioner as per these Regulations/ policy without insisting NOC of MHCC by ensuring that the intended minor works do not affect the original façade, fenestration pattern/bands/cornices, ornamental features, railings , window grid &amp; pattern etc. as the case may be.</p> <p>b) In case of reconstruction or redevelopment of Grade – III heritage buildings, height up to 32 m. shall be permitted by Commissioner. If the height of the building to be reconstructed /redeveloped exceeds 32 m. special permission from the Commissioner shall be obtained.</p> <p>However, before allowing demolition of a Grade-III listed</p>



Grade – I	Grade – II	Grade – III/PRECINCT
		<p>heritage building/structure, complete documentation of facade elevations/material specifications, detailing etc. should be prepared by the owner through an architect and shall be submitted to Commissioner along with any reconstruction/redevelopment proposal so that cognizance of any special features etc. can be taken while finalising the design/elevations of the new building.</p> <p>PRECINCT</p> <p>a)In respect of minor/structural repairs, periodic maintenance (e.g. Waterproofing, repairs to flat / mangalore tiled roof, existing plumbing, re-plastering), interior renovation / furniture work etc. in respect of buildings in Precincts; approval may be granted by Commissioner as per these Regulations/policy without insisting NOC of MHCC by ensuring that the intended minor works do not affect the original façade, fenestration pattern/bands/cornices, ornamental features , railings , window grid &amp; pattern etc. as the case may be.</p> <p>b)In case of reconstruction or redevelopment of buildings in heritage Precincts, height up to 32 m. shall be permitted by Commissioner. If the height of the building to be reconstructed/redeveloped exceeds 32 m., special permission from the Commissioner may be obtained, who may take into consideration guidelines if any in respect of listed Precincts.</p> <p>c)However, before allowing demolition of a Precinct building / structure , complete documentation of faced elevations / material</p>

Grade – I	Grade – II	Grade – III/PRECINCT
		<p>specifications , detailing etc. should be prepared by the owner through an architect and shall be submitted to approving authorities along with any reconstruction / redevelopment proposal so that cognizance of any special features etc. Can be taken while finalising the design / elevations of the new building.</p> <p>It shall be ensured that external appearance, elevation shall be in harmony / consonance with the characteristics of listed Precinct.</p>

**53. Under Ground Public Utility/Conveniences/Amenity Provision**

Subject to the conditions as may be prescribed by the Commissioner, MCGM, Sewage Treatment Plant, storage and allied facilities as per design and specification and at location as may be considered necessary by the Commissioner for treatment of sewage/effluent, water pumping station and storage facility, Electric Substation/Distribution/Receiving Station, underground parking and shopping shall be allowed below existing or proposed DP Roads and below lands reserved for Playground/Gardens/Parks and Public Open Spaces both existing and proposed and to be used at one or two levels below the ground. Provided no such uses will be allowed below the following.

Oval Maidan, Cross Maidan, Azad Maidan, Shivaji Park, all parade grounds, Nare Park, Jambhori Maidan, Five Gardens and Recreational Ground opposite Scottish School, Dadar, Cadell Road (Veer Sawarkar Marg) situated to the north of Hinduja Hospital.

And provided further that the area to the extent of 10 m along the road side below the surface within the boundary of the aforesaid Maidans/Parks/Gardens/Public Open Spaces may be used for the purpose of ingress and egress to the underground area.

**54. Uses Permissible below Flyovers:**

Following uses may be permitted below the flyovers:

- (1) Garden, park, Promenades
- (2) Electricity Distribution Stations;
- (3) Municipal chowkies, road depot, municipal store, public toilet;
- (4) Police chowky, RTO vehicle chowky, pay and park facility/bus stands /taxi stands/auto-rickshaw stand;
- (5) Homeless shelters, welfare centres for street children/activities centers for destitute
- (6) BEST street light chowky, BEST electricity bill & cash collection centre, BEST relief shelter with toilet block for bus operation staff.

Provided further that the plantation/green space of width not less than 1.0 m shall be developed all along the edge of carriageway below the flyover or central median with width not more than width of pillar, except the accesses wherever necessary or as may be required by the Commissioner.

**55. *Alignment of Metro/Mono/Coastal Road /Elevated Corridors/Corridors of Mass and Rapid Transport System***

Any alignment modifications introduced in Metro/Mono/Coastal Road /Elevated Corridors/Corridors of Mass Rapid Transport System, including BRTS, by the Appropriate Authority and sanctioned by Government shall stand automatically amended on the Development Plan as modified.

Furthermore, any new “Transport Corridor” such as Metro/Mono/Coastal Road /Elevated Corridors/Corridors of Mass Rapid Transit System, including BRTS, proposed by Appropriate Authority and sanctioned by Government, shall stand automatically added on to Development Plan.

After finalization of site for Metro Car shed by the Competent Authority, the portion of land reserved/earmarked for the Metro Car Shed in DP, if not required by the Competent Authority subsequently, shall be deemed to be deleted from the said reservation and included in adjoining predominant zone. In such case, the Municipal Commissioner shall issue a written, well reasoned, speaking order modifying the DP to that effect and copy of such order along with certified part plan, shall be forwarded to Govt. and Director of Town Planning, Pune for record.

**56. *Forest Land***

Development in the forest land which has been designated as Natural Area in DP will be governed by the notifications issued by the Ministry of Environment and Forest as amended from time to time.

The land owned by Forest Department and reserved for public purpose shall have to be developed with the special permission of the Municipal Commissioner as per the provisions of Forest Act.

**PART XI MISCELLANEOUS PROVISIONS****57. Temporary Constructions**

The Commissioner may grant permission for temporary construction of a period not exceeding six month at a time and in the aggregate, not exceeding a period of three years. Such permission may be given by him for the construction of the following, namely:

- (i) Structures for protection from the rain or covering of the terraces during the monsoon only;
- (ii) Pandals for fairs, ceremonies, religious functions, circus, jatra, folk dance etc;
- (iii) Structures for godowns /storage of construction materials within the site;
- (iv) Temporary site offices and watchmen chowkies and labourer hutments with crèche, sales office/sample or show flat within the site only during the phase of construction of the main building;
- (v) Structure for exhibitions/circuses, etc.;
- (vi) For factories in industrial lands, structures within the site for storage of machinery before installation;
- (vii) Structures for ancillary works for quarrying operations in conforming zones;
- (viii) Milk booths and telephone booths;
- (ix) Transit accommodation for persons to be rehabilitated in a new construction:
- (x) Structures for educational and medical facilities within the site of the proposed building during the phase of planning and constructing the said permanent buildings:
- (xi) On site, Ready Mix Concrete (RMC) plant for the use at site under development/construction.

Provided that temporary construction for structures, etc. mentioned at (iii), (iv), (vi), (ix), (x) and (xi) maybe permitted to be continued temporarily by the Commissioner but in any case, not beyond completion of construction of the main structure or building, and that structure in (viii) may be continued on annual renewable basis by the Commissioner beyond a period of three years.

**58. Common Antenna for Television Transmission Reception/ Telecommunication /Digital Communication/Service: -**

In every Building the provision for

- (1) Installation of common Television Transmission Reception/Antenna and Ducting for telecommunication lines and optical fiber cable for Digital Data communication/transmission shall be made.
- (2) Ducting for laying of piped gas connection service in the surrounding of building.

**59. Special Purpose NOCs**

Wherever necessary, special purpose NOCs shall be required to be submitted for the development of plot/s depending upon the location & type of work as specified in these Regulations. Observance of requirements of these and all other NOCs shall be the responsibility of Owner/Developer/Project Proponent. The Commissioner may grant permissions/approvals for development based on an undertaking by the Owner/Developer/Project Proponent that he shall comply with all the requirements of special NOCs ,Laws, and Regulations that are applicable from time to time. The illustrative list of special purpose NOC's is mentioned in Appendix III.

**60. Repairs to Existing Building**

The structural/extensive repairs to the existing buildings, which have been constructed with the approval from the competent authority or were in existence prior to 17.04.1964 in respect of residential structures and 01.04.1962 in respect of non-residential structures and which are in need of structural/extensive repairs, may be allowed without change in footprint/planning. Under the guise of repairs, addition/alterations/vertical & horizontal extension to the existing structures shall not be permissible. The structural /extensive repairs to the existing buildings may be allowed as described in Appendix IV.

**60(A). Approvals of Building Permission on Fast Track based on Risk Based categorization**

Notwithstanding anything contained in DCR/DCPR of the respective said Authority, the Regulations regarding approval of Building Permission by the Architect/L.S./Engineer at the stage of Commencement, Plinth checking and Completion cum Occupancy shall be as per Risk Based Classification of Building given in Table below:-

Sr. No.	Parameters to be consider for Risk Base.	Risk Category	
		Low Risk Category	Moderate Risk Category
1	<b>Plot Area considered for Risk Based Assessment.</b>	Buildings on a plot area upto 150 sq.m.	Buildings on a plot area between 151 sq m and upto 200sq.m.
2	<b>Permissibility In Development Plan Zone</b>	Residential Zone, Commercial zone and Public-Semi-public Zone	Residential Zone, Commercial zone and Public-Semi-public Zone
3	<b>Plot status</b>	The plot should be vacant. The Plot Status, Plot criteria and permissibility in above land use zone shall be as per respective DCPR.	The plot should be vacant. The Plot Status, Plot criteria and permissibility in above land use zone shall be as per respective DCPR.
4	<b>Type of building</b>	Residential and other buildings as per DCPR	Residential and other buildings as per DCPR
5	<b>Proposed Structure of Building/Storey</b>	G.F. / P+1 RCC./Load Bearing	G.F.+1/P+2 RCC./Load Bearing
6	<b>Front and side open spaces, Provision of Basement, Parking requirement and other requirements.</b>	As per the provisions of Development Control Regulations.	As per the provisions of Development Control and Promotion Regulations.
7	<b>Tree cutting/ Tree replantation.</b>	Not permitted.	Not permitted
8	<b>Experience Criteria for Architect /L.S./Engineer for</b>	As per Annexure-10 of the respective DCPR regarding	As per Annexure-10 of the respective DCPR regarding

	<b>self-certification and all approval mentioned in this regulation.</b>	licensing and qualifications of the technical person.	licensing and qualifications of the technical person.
9	<b>NOCs and Documents</b>	Wherever required as per the respective DCPR	Wherever required as per the respective DCPR
10	<b>Site inspection and Computer based allocation of inspector for site inspection.</b>	No site inspection is necessary by the Planning Authority at any stage. Approval Procedure is to be followed as mentioned in Point No.11 excluding point no 11 (c).	Site inspection at Plinth level is necessary by the Planning Authority. Approval Procedure is to be followed as mentioned in Point No.11 including point no 11 (c).

### 11. Procedure for Building Permission

Architect/ License Surveyor (L.S.)/Engineer (Architect registered with Council of Architecture & License Surveyor & Engineer registered with Planning Authority) are empowered to grant provisional approval with self-certification to the building proposal plans categorized as Low Risk & Moderate Risk in Table given above, subject to the following:-

#### **Building Permission/Commencement Certificate:-**

**a) Submission of Proposal:-** The proposal shall comprise of application u/s 44/69 of MR&TP Act, 1966, in format prescribed by Municipal Commissioner/Chief Officer/Chief Executive Officer, along with documents and undertakings required for the proposal as per regulation & required by the Municipal Commissioner/Chief Officer/Chief Executive Officer from time to time. All the required documents shall be certified and signed by the Architect /L.S./Engineer confirming with the original documents. The documents required shall be as per the DCPR of the said Authority.

**b) Commencement Certificate (CC) :-**After receipt of the application, the Demand Note regarding payment of Scrutiny Fee, Development Charges and other Charges based on the proposed Plans/Drawing submitted shall be given by the concern Engineer of the authority within 10 days. The owner / Architect /L.S./Engineer shall deposit the Charges as demanded. Upon deposit of such Charges with the Planning Authority, the concerned Architect/ License Surveyor (L.S.)/Engineer are empowered to grant provisional approval in the form of self-certification certifying that the plan / entire building proposal is strictly in conformity with the DCPR. This self-certification shall be treated as Commencement for the construction work.

The owner/concern Architect/License Surveyor (L.S.)/Engineer shall submit the said self-certified plan to the Authority within 10 days. Upon such submission, The Junior most Officer/Junior Engineer at ward level, authorized by Municipal Commissioner/Municipal Chief Officer shall countersign the plans without any scrutiny and issue Commencement Certificate Under Section-45 of Maharashtra Regional and Town Planning Act, 1966 within 10 days from the receipt of such plan. The Scrutiny at Authority level need not be necessary. Concern Architect/L.S./Engineer is empowered/Authorized to issue the copies of such approved plans &Certificates with his signature.

**c) Plinth Checking for Moderate Risk building proposal:** -The concern Architect /L.S./Engineer shall apply for certificate of plinth checking in prescribed application for Moderate Risk building proposal only. The inspection shall be done by the concern Junior Engineers. The inspection report shall be prepared and uploaded within 48 hours. The Plinth checking certificate shall be grant within the period of 7 days from the receipt of the application, if found as per the sanctioned plan.

**d) Building completion certificate :** -On completion of work, the concern Architect/L.S./Engineer shall issue the Building completion certificate and Occupation certificate, as required as per the provision of DCPR to the completed building/structure and submit two set of completion plan along with the required certificate and all site inspection report to the authority. The concerned Engineer authorized by Municipal Commissioner / CEO MHADA/ SRA shall countersign the said Completion Plan along with Occupancy Certificate within 10 days without any scrutiny and site inspection.

## **12. Responsibility of the Architect/L.S./Engineer**

**a)** The work shall be supervised by the concerned Architect/L.S./Engineer who will ensure that the same is carried out strictly as per the approval. Confirmation of ownership of land / plot area and land boundaries in the name of applicant shall be joint responsibility of concerned Architect/L.S./Engineer and the owner.

**b)** It will be the responsibility of the concern Architect /L.S./Engineer, Site Supervisor & Structural Engineer appointed for the proposed development, jointly or severally to ensure that all plans shall be in consonance with provisions of Development Control Regulations. All the requirements of the DCPR shall have to be complied with due care and the work is carried out as per the approval only. Any deviation required during the construction shall be approved by Architect/L.S./Engineer before execution. The concerned Architect /L.S./Engineer shall be empowered for any amendments in the plan in process of construction within the purview of DCPR

**c) Frequency of Inspection by the Architect/L.S./Engineer: -**

The Architect/L.S./Engineer shall inspect and submit the site inspection report along with photographs/video clips, at various stages while submitting the building proposal, after completion of plinth work, and finally at the time of Building completion certificate to the authority. Such inspection reports shall be submitted and uploaded within 48 hours from the date of inspection.

**d)** After submitting the application or during the construction of building if the Architect/L.S./Engineer are changed, he shall intimate the competent authority immediately that he is no longer responsible for the project from the date of intimation. The construction work shall have to be suspended until the new Architect/L.S./Engineer as the case may be appointed by the owner. Owner's intimation regarding change of licensee shall be considered to be final. After intimation of the new appointed licensee shall then undertakes and start the project.

## **13. Authorisation to Authority: -**

**a)** In case of any deviations/irregularities noticed in the process or after completion, the Planning Authority may immediately issue notice to the owner and or to the concerned licensee to suspend the further work and rectify the deviations/irregularities. Only after satisfaction of rectification made by the owner or concerned licensee, the Planning Authority issue intimation

to start the work. In major violations, the Planning Authority shall authorise to take appropriate action against Architect/L.S./Engineer as the case may be, as per the DCPR or as per respective Acts and Laws.

- b) Municipal Commissioner/Chief Officer, as the case may be, of the respective Authority are authorised to prepare common application forms, proformas, affidavit etc. wherever required for the smooth implementation of this regulation.

The above procedure shall be integrated with the Online Building Permission Management System (BPMS) by the concerned Authority.

**14. Exceptions from this Procedure:** -The above Procedure for Building Permission shall not bar the owner/ Architect/L.S./Engineer to obtain development permission as per Regular provisions of the DCPR. Also, this stipulations shall not be applicable to the proposals who desired to obtain Development Permission as per Type Design Pattern which was issued by Government vide TPS-1813/3200/CR 520/13/UD 13, Dated 03/01/2015.



## PART- XII ENVIRONMENTAL SUSTAINABILITY

### 61. **Public Sanitary Convenience (PSC) Blocks/Toilets**

With the approval of the Commissioner, PSC block may be constructed, maintained and made available for general public use on Municipal/Govt. plots, which are reserved/ existing amenity for public purpose in the following manner:

- i) The location of PSC blocks shall be such that the same are accessible for general public use.
- ii) The toilets shall be maintained by the user of the plot or as decided by the Commissioner.
- iii) On plots having non-buildable/POS reservation/existing amenity and having area more than 4,000 sq. m, 2 toilets and 2 urinals each for ladies and gents may be constructed and preferably one toilet for differently abled persons and one urinal for children shall be constructed.
- iv) On plots having non-buildable/POS reservation/existing amenity and having area less than 4,000 sq. m, 1 toilet and 2 urinals each for ladies and gents maybe constructed.
- v) On plots having buildable reservation/ amenity and having area more than 2000 sq. m, 1 toilet and 2 urinals each for ladies and gents and preferably one toilet for differently abled persons and one urinal for children shall be constructed while developing the plot. On plots having buildable existing amenity and having area more than 2000 sq. m, 1 toilet and 2 urinals each for ladies and gents and preferably one toilet for differently abled persons and one urinal for children may be constructed. The PSC so proposed preferably shall have access directly from the public street and shall be located in such a way that, it shall not cause nuisance to the occupants of the plot and same shall have to be maintained as decided by the Commissioner in hygienic condition. Efforts shall be made to construct PSC blocks at a distance of every 3 km. especially near the bus stop along highway/major roads taking in to consideration other requirements for provision of PSC block.
- vi) Construction of such PSC may be allowed touching the plot boundary and accessible from Public Street. The joint open space between the structure of primary user and the structure for PSC shall not be less than required front open space for structure of primary user or 3 m whichever is higher.
- vii) The PSC to the extent specified shall be permissible free of FSI.
- viii) Availability of PSC shall be displayed in such a way that it is clearly seen from Public Street.
- ix) Substation can be provided above PSC as per the requirement of Electric Supply Company subject to NOC from CFO.

### 62. **Rain Water Harvesting (RWH)**

**General:** The Rain Water Harvesting (RWH) arrangement shall be provided in case of Development/Redevelopment of plots having area of 500sq. m and more. It shall have one or more RWH structures having a minimum total capacity as detailed in schedule below;

Provided that the professional on record shall certify that the RWH System /Structures have been constructed as per the specification or of specifications different from those in Schedule, subject to the minimum capacity of RWH System being ensured in each case.

The owner/society of every building shall ensure that the RWH structure/system is maintained in good condition for storage of water for non-potable purposes or recharge of ground water at all times.

The Authority may impose a levy of not exceeding Rs.1000/- per annum for every 100 Sq.Mt. of built-up area for the failure of the owner of any building mentioned above to provide or to maintain Rain Water Harvesting structures as required under these byelaws.

**SCHEDULE**

RWH in a building site includes storage or recharging into ground of rain water falling on the terrace or on any paved or unpaved surface within the building site.

1. The following systems may be adopted for harvesting the rain water drawn from terrace and the paved surface.
  - (i) Open well of a minimum diameter of 1m and minimum depth of 6m OR open well of a minimum diameter of 0.3 m and minimum depth of 2 m at every 6 m in the Storm Water Drain, in to which rain water may be channeled, after filtration for removing silt and floating material. The well shall be provided with ventilating covers. The water from the open well may be used for non-potable domestic purposes such as washing, flushing and for watering the garden.
  - (ii) RWH for recharge of ground water may be done through a bore well around which a pit of one meter width may be excavated upto a depth of at least 3 m and refilled with stone aggregate and sand. The filtered rain water may be channeled to the refilled pit for recharging the borewell.
  - (iii) An impervious surface/underground storage tank of required capacity may be constructed in the open space and the rain water may be channeled to the storage tank. The storage tank shall always be provided with ventilating covers and shall have drawn-off taps suitably placed so that the rain water may be drawn off for domestic washing, gardening and such other purposes. The storage tanks shall be provided with an overflow.
  - (iv) The surplus rain water after storage may be recharged into ground through percolation pits or trenches or combination of pits and trenches. Depending on the geomorphological and topographical condition, the pits may be of the size of 1.20 m width x 1.20 m length x 2.00 m to 2.50 m depth. The trenches can be of 0.60 m width x 2.00 to 6.00 m length x 1.50 to 2.00 m depth. Terrace water shall be channeled to pits or trenches. Such pits or trenches shall be back filled with filter media comprising the following materials.
    - a) 40 mm stone aggregate as bottom layer up to 50% of the depth;
    - b) 20 mm stone aggregate as lower middle layer up to 20% of the depth;
    - c) Coarse sand as upper middle layer up to 20% of the depth;
    - d) A thin layer of fine sand as top layer;
    - e) Top 10% of the pits/ trenches will be empty and a splash is to be provided in this portion in such a way that roof top water falls on the splash pad.
    - f) Brick masonry wall is to be constructed on the exposed surface of pits/ trenches and the cement mortar plastered.  
The depth of wall below ground shall be such that the wall prevents loose soil entering into pits/trenches. The projection of the wall above ground shall be atleast 15 cm.
    - g) Perforated concrete slabs shall be provided on the pits/trenches.
  - (v) If the open space surrounding the building is not paved, the top layer upto a sufficient depth shall be removed and refilled with coarse sand to allow percolation of rain water into ground.
  - (vi) For effective drainage of rain water, the roof of building shall be so constructed or framed as to permit effective drainage of the rain water therefrom by means of rain water pipes. Such pipes shall be so arranged, joined and fixed so as to ensure that the rain water is carried away from the building without causing dampness in any part of the walls or foundation of the building or those of adjacent buildings.

2. The terrace shall be connected to the open well/borewell/storage tank/recharge pit/ trench by means of HDPE/PVC pipes through filter media. A valve system shall be provided to enable drain away the first washings from roof or terrace catchment, as they would contain undesirable dirt. The mouths of all pipes and openings shall be covered with mosquito (insect) proof wire net. For the efficient discharge of rain water, there shall be at least two rain water pipes of 100 mm dia. for a roof area of 100 sq. m.
3. RWH structures shall be so sited as not to endanger the stability of building or earthwork. The structures shall be designed such that no dampness is caused in any part of the walls or foundation of the building or those of an adjacent building.
4. The water so collected/ recharged shall as far as possible be used for non-drinking and non-cooking purpose.

Provided that when the rain water in exceptional circumstances will be utilised for drinking and/ or cooking purpose, it shall be ensured that proper filter arrangement and the separate outlet for by passing the first rain-water has been provided.

Provided further that it will be ensured that for such use, proper disinfectants and the water purification arrangement have been made.

**63. *Special Provisions; for installation of Solar Water Heating (SWH) Systems.***

Solar Water Heating (SWH) Systems shall be installed in the buildings for Hospitals, Hotels, Guest Houses, Police/Army Barracks, Canteens, Laboratories and Research Institutions, Hostels of Schools and Colleges and other Institutions.

1. The SWH systems shall be mandatory in hospitals and hotels, where the hot water requirement is of continuous nature. In these buildings, the system shall be provided with auxiliary electrical back-up.
2. The use of SWH system is recommended in the following type of buildings in Govt/Semi-Govt and Institutional buildings where the hot water requirement may not be continuous/permanent:
  - 1) Guest House
  - 2) Police/Army barracks
  - 3) Canteens
  - 4) Laboratory and Research Institutions where hot water is needed
  - 5) Hostels of Schools and Colleges and other Institutes.
3. The use of SWH system may be allowed in any other building.

The installation of the electrical backup in all such water heating systems shall be optional depending on the nature of requirement of hot water.

It is suggested that SWH systems of the capacity of about 100 liters per day on thermosyphon with necessary electrical back-up be installed at residential buildings like hostels.

In order to facilitate the installation of the SWH systems, the new buildings of aforesaid types shall have the following provisions.

- 1) All such buildings where SWH systems are to be installed will have open sunny roof area available for installation of SWH system.
- 2) The roof loading adopted in the design of such building should be at least 50 kg/sq. m for the installation of SWH system.

- 3) SWH systems can also be integrated with the building design. These can either be put on the parapet or could be integrated with the south facing, vertical wall of the building. The best inclination of the solar energy collector for regular use throughout the year is equal to the local Latitude of the place. The solar energy collector should be facing south. However, for only winter use, the optimum inclination of the solar energy collector would be Latitude+15 degrees of the south.
- 4) All the new buildings of aforesaid types to be constructed shall have an installed hot water line from the roof top and also insulated distribution pipelines to each of the points where hot water is required in the building.
- 5) The capacity of the SWH system to be installed on the building shall be decided on the basis of the average occupancy of the buildings. The norms for hospitals, hotels and other buildings are given below:

Sr. No.	Type of Building	Per capita capacity recommended (litres per day).
1	Hospitals	100
2	Hotels	150
3	Hostels & other such buildings	25
4	Canteen	As required
5	Laboratory & Research Institutions	As required.
6	Other buildings	As required.

- 6) An open area of 3 sq. m would be required for installation of a solar energy collector which supplies about 100 liters of water per day. At least 60 per cent of the roof area may be utilised for installation of the system.
- 7) The specification for the SWH system laid down by the Ministry of Non-Conventional Energy Sources can be followed. Flat plate Collector conforming to IS 12933 shall be used in all such solar water heating systems.

- Note:
1. The Commissioner may add to the list of buildings mentioned above on which installation of SWH systems can be made mandatory.
  2. The Commissioner may insist on installation of solar energy collectors on the terraces of the buildings for harnessing solar energy for purposes other than water heating as well.
  3. The construction of SWH system shall be in conformity with IS12976.

#### 64. Waste (Grey)Water Recycling and Reuse

(1) Development/redevelopment of the plots which attract requirements/provisions of Notifications of Ministry of Environment and Forest (MoEF), Government of India, issued from time to time shall have the provision for recycling and reuse of waste water.

Provision of recycling and reuse of waste water system may also be permissible in any development other than mentioned above. The professional on record shall certify the detailed scheme for the recycle and reuse of waste water.

The Waste Water Recycling System shall include the following:

- i) Waste water other than from water closet, laundries, and hospitals shall be recycled.
- ii) The system shall not constitute a nuisance of foul gases and/or cause public hazard due to its installation and operation.
- iii) The waste water recycling system shall be designed considering the anticipated occupancy load and seasonal fluctuations in discharge.
- iv) Separating of Waste Water:
  - (a) The waste water shall be recycled by installing recycling plant.
  - (b) Separate plumbing network shall be installed to collect waste water from kitchens, bath rooms, washing machines and dish washers leading to recycling plant with separate underground and overhead tanks provided for this purpose.
  - (c) The entire connecting network shall be painted in purple blue color.
  - (d) Recycled Waste Water system shall be maintained in good condition and shall comply with the requirements of Maharashtra Pollution Control Board (MPCB), if any.

(2) Reuse of Waste Water:

- i) The treated waste water shall be used only for gardening, toilet flushing, landscape, irrigation, cooling towers, car washing, etc. and in no case for drinking, bathing, or washing clothes and utensils.
- ii) The output water quality shall conform to the standards of non-potable water as may be prescribed by the MPCB.
- iii) A clause must be included by the owner/developer in the purchase agreement with the purchaser, owner of the premises/organization or society of the occupiers or the society of purchasers stating that recycled waste water system has been provided in the development and shall have to be maintained in good condition as per the requirements of MPCB, if any.

#### **65. Sewage Treatment Plant (STP) & Disposal**

Development/redevelopment of the plots which attract requirements/provisions of relevant Notification of Ministry of Environment and Forest (MoEF), Government of India issued from time to time shall be provided with Sewage Treatment Plant (STP) and disposal system.

Provision of STP and disposal system may also be permissible in any development other than mentioned above. The professional on record shall certify the detailed scheme for the STP and disposal system.

STP shall comply with the following:

- a) STP structure shall be of compact design with due approval of relevant competent Authority
- b) There shall not be any foul odour around the STP area or in the ambient environment.
- c) STP shall not require continuous monitoring and operation and shall work well with inconsistent inflow.
- d) Treated water quality shall be of non-potable standards and can be reused for gardening, toilet flushing, landscape, irrigation, cooling towers, car washing, etc. but in no case for drinking, bathing, or washing clothes and utensils.

- e) Treated water shall be environmentally safe to dispose of in Land or Water.
- f) A clause must be included by the owner/developer in the purchase agreement with the purchaser, owner of the premises/organization or society of the occupiers or the society of purchasers stating that, STP has been provided in the development and shall have to be maintained in good condition as per the requirement of the Maharashtra Pollution Control Board (MPCB).

#### **66. Solid Waste Segregation**

All buildings shall be provided with separate coloured bins to collect dry waste (paper, plastic, metal, glass, etc.) and wet waste (organic waste). Dedicated space shall be allocated for collecting waste before transferring waste for recycling/disposal separately.

Separate bins shall be provided for safe disposal of hazardous waste (batteries, e-waste, lamps, medical waste, etc.) as provided in hazardous waste management guidelines prescribed by the Ministry of Environment and Forest (MoEF), Government of India.

Provision for treating the wet waste in situ will have to be made and a clause must be included by the owner/developer in the purchase agreement with the purchaser, owner of the premises/organization or society of the occupiers or the society of purchasers stating that, wet waste will be treated in situ and shall have to be maintained in operational condition as per the requirement of MCGM if any.

The planning design, construction and installation of Solid Waste Management System shall be as per the National Building Code of India, Part 9 Plumbing Services, Section 1- Water Supply, Drainage and Sanitation (Including Solid Waste Management) Paragraph 6.

On the plots having total construction area 20,000 Sq.mt & above Bio-degradable Waste Treatment Plant of required capacity shall be provided and maintained.

The area under construction of Solid Waste Management System /Bio-degradable waste treatment plant shall be free of FSI.

The Completion Certificate for the Solid Waste Management System /Bio-degradable Waste Treatment Plant issued by Environmental Consultant shall be submitted before asking for Occupation Certificate/Building Completion Certificate.”

#### **67. Tree Plantation Provisions for Enhancing/Conserving/Preserving Biodiversity**

i) The development in any plot of land shall be such as to preserve, as far as practicable, the existing trees. Where trees are required to be felled, twice the number of trees shall be planted for every tree to be felled.

ii) Every plot of land shall have at least

(a) at the rate of 5 trees per 100 sq.m or part thereof of the said recreational space, to be grown within the entire plot.

(b) at the rate of 1 tree per 80 sq. m or part thereof to be grown in a plot for which a sub-division or layout is not necessary.

iii) Trees shall be planted taking care that they shall not obstruct the maneuvering of firefighting vehicles during an emergency.

iv) In between the trees planted along the boundary of plot, shrubs with grass shall be planted.

**68. Coastal Regulation Zone (CRZ)**

Notwithstanding anything contained in these Regulations, any development within CRZ areas shall be governed by the amended Coastal Regulation Zone Notification No.S.O.19(E), dated 6th Jan, 2011 Ministry of Environment and Forest (MoEF), Government of India as amended from time to time, wherever applicable. Lands shown as Natural Area in DP and situated on the seaward side of High Tide Line, if after modification to High Tide Line, falls on the landward side of modified High Tide Line, then in such case the said land will be deemed to have been situated in the zone of adjoining land unless, said land is forest/salt pan land/occupied by mangroves/mud flats.

**69. Environment Impact Assessment (EIA)**

This Regulation shall be applicable to developments as specified in provisions of amended Environmental Impact Assessment Notification No.S.O.1533 dated 14.09.2006 as amended from time to time. The compliance of conditions of NOC/Remarks shall be the responsibility of the owner/developer/project proponent.

**70. Energy Efficient Buildings**

Owner/Developer/Project proponent at his option may opt for the certification of Indian Green Building code (IGBC)/Energy Conservation Building Conservation Code (ECBC). The provisions of appliances/fitting as per IGBC/ECBC shall be as per direction of GOI/GOM if any from time to time.

**APPENDIX- I**  
**(Regulation 47)**

**Additional Fire Protection Requirements for High Rise and special Building: -**

**1. General**

In addition to the provisions of fire Protection, National Building code of India, the Chief Fire Officer may insist on suitable provisions in, high rise and special buildings or premises from the fire safety and fire-fighting point of view depending on their occupancy and height.

**2. Construction: -**

(1) Building materials: -

(i) Load bearing elements of construction and elements of construction for which the required fire resistance is one hour or more shall be of non-combustible material. Interior finish materials (wall paneling, floor coverings etc.) may be permitted of materials having their rating for flame spread and smoke developed not exceeding a very low flame spread limit in accordance with IS:1642,1960 (Class I) Ceiling linings shall be non-combustible or of plasterboard.

(ii) Stairways and corridors shall not contain combustible materials.

(2) Structural members such as supports and load bearing walls shall have fire resistance rating of 3 hour, transoms and ceilings at least 2 hours.

(3) Internal walls and partitions separating corridors from areas on floors that are used for any purpose other than circulation shall have a fire resistance of not less than one hour. There shall be no openings in such walls other than for doors or delivery hatches with fire resistance not less than half an hour. Fire sections (fire walls) sub-dividing the building to prevent fire spread, shall have a fire resistance, rating not less than two hours.

(4) Facades excluding windows and doors shall consist of non-combustible building materials. The minimum distance between the top of the opening on a lower floor and the sill of that on the floor above it shall be 0.9 m., so that the fire would have to travel at least 0.9 m. between storeys.

**3. Staircase enclosures: -**

(1) The internal enclosing walls of staircase shall be of brick or R.C.C. construction with a fire resistance of not less than two hours. All enclosed staircases shall be reached via a ventilated lobby and shall have access through self-closing doors of at least half an hour fire resistance. These shall be single swing doors opening in the direction of the escape. The door shall be fitted with check section door closers. The floor landing of staircases shall not form part of common corridor.

(2) The staircase enclosures on the external wall of a building shall be ventilated to the atmosphere at each landing or mid-landing.

(3) A permanent vent at the top equal to 5 per cent of the cross-sectional area of the enclosure and open able sashes at each landing level with area not less than 0.5 sq. m. on the external wall shall be provided. The roof of the shaft shall be at least 1 m. above the surrounding roof. There shall be no glazing or glass bricks in any internal enclosing wall of a staircase. If the staircase is in the core of the building and cannot be ventilated at each landing, a positive pressure of 5 mm. water gauge by an electrically operated blower shall be maintained.

(4) The mechanism for pressuring the staircase shaft shall be so installed that it operates automatically and also manually when the automatic fire alarm operates.

**4. Lift enclosures: -**



- (1) The walls enclosing the lift shafts shall have a fire resistance of not less than two hours. Shafts shall have permanent vents at the top not less than 1800 m. m. (0.2 sq. m.) in clear area. Lifts motor rooms should preferably be sited at the top of the shaft and shall be separated from lift shafts by the enclosing wall of the shaft or by the floor of the motor rooms.
- (2) Landing doors in lift enclosures shall open into the ventilated or pressurised corridor/lobby and shall have fire resistance of not less than one hour.
- (3) The number of lifts in one lift bank shall not exceed four. The shaft for the fire lift in a lift bank shall be separated from each other by a brick masonry or R.C.C. wall of fire resistance of not less than two hours. Lift car doors shall have fire resistance of not less than one hour.
- (4) If the lift shaft and lift lobby are in the core of the building, a positive pressure of not less than 2.5 mm. and not more than 3 mm. water gauge by an electrically operated bower shall be maintained in the lift lobby and positive pressure of not less than 5 mm. water gauge shall be maintained in the lift shaft. The mechanism for pressuring the lift shaft and lift lobby shall be so installed that they shall operate automatically and also manually when the detector & automatic fire alarm operates. The mechanism shall have facilities to operate manually.
- (5) Exit from the lift lobby, if located in the core of the building, shall be through a self-closing smoke stop door of a half-hour fire resistance.
- (6) The lift machine room shall be separate and no other machinery shall be installed therein.
- (7) Lifts shall not normally communicate with the basement. However, one of the lifts may be permitted to reach the basement level provided the lift lobby at each basement level shall be pressurized and separated from the rest of the basement areas, by a smoke-actuated fire resisting door of two hours' fire resistance. These doors can also be kept in hold-open position by an electro-magnetic device to be linked with a smoke detector.

#### **5. External windows.**

The area of the open able external windows on a floor shall be not less than 2 1/2 per cent of the floor area. The locks for these windows shall be fitted with budget lock of the carriage key type (which can be opened with the point of a fireman's' axe).

#### **6. Fire lifts**

The following provisions shall be made for a fire lift. -

- (a) To enable fire services personnel to reach the upper floors with minimum delay, one or more of the lifts shall be so designed as to be available for the exclusive use of such personnel in an emergency and be directly accessible to every dwelling/lettable floor space of each floor.
- (b) The lift shall have a floor area of not less than 1.4 sq. m. with a minimum dimension of 1.12 m. It shall have a loading capacity of not less than 545 kg. (8 persons lift) with automatic closing doors.
- (c) There shall be an alternate electric supply from a generator of an adequate capacity apart from the electric supply in the building and the cables shall run in a route safe from fire, i.e. within the lift shaft. In case of failure of normal electric supply, it shall automatically trip over to alternate supply. For apartment buildings, this change over of supply could be done through a manually operated change-over switch.
- (d) The operation of a fire lift shall be by a simple toggle or two button switch situated in a glass fronted box adjacent to the lift at the entrance level. When the switch is on, landing call-points will become inoperative and the lift will be on care control only or on priority control device. When the switch is off, the lift will return to normal working. This lift can be used by the occupants in normal times.

- (e) The words 'FIRE LIFT' shall be conspicuously displayed in fluorescent paint on the lift landing doors at each floor level.
- (f) Collapsible gates shall not be permitted for lifts; the lifts shall have solid doors with fire resistance of at least one hour.
- (g) The speed of the fire lift shall be such that it can reach the top floor from ground level within one minute.

#### **7. Basements: -**

- (1) Each basement shall be separately ventilated. Vents with cross, sectional area (aggregate) not less than 2.5 percent of the floor area spread evenly around the perimeter of the basement shall be provided in the form of grills or breakable stall boards lights or pavement lights or by way of shafts. Alternatively, a system of air inlets shall be provided at basement floor level and smoke outlets at basement ceiling level. Inlets and outlets may be terminated at ground level with stall boards or pavement lights as before but ducts to convey fresh air to the basement floor level shall have to be laid. Stall boards and pavement lights should be in position easily accessible to the Fire Brigade personal and rescue teams and clearly marked 'SMOKE OUTLET' or AIR INLET' with an indication of area served at or near the opening.
- (2) The staircase of basements shall (a) be of enclosed type having fire resistance of not less than two hours; (b) be situated at periphery of the basement to be entered at ground level only from the open air and in such a, position that smoke from any fire in the basement shall not enter and exit serving the ground and upper storeys of the building; and (c) communicate with basement through a lobby provided with fire-resisting self-closing doors of one hour fire resistance. If the travel distance exceeds the values mentioned in Regulation No 47(3)(i) (I &ii), additional staircases at proper places shall be provided.
- (3) Intake ducts may serve all basement levels but each basement and basement compartment shall have separate smoke outlet duct or ducts.
- (4) Mechanical extractors for smoke-venting system from lower basement levels shall also be provided. The system shall be of such design as to operate on actuation of heat sensitive detectors or sprinklers if installed and shall have a considerably higher performance than the standard units. The system should also have an arrangement to start it manually and shall be designed to function at a temperature not less than 550°C.
- (5) Kitchens working on gas fuel shall not be permitted in basements.

#### **8. Floor space division (fire sections)**

The floor space division on floors and in basements shall be as per provisions of N.B.C.

#### **9. Service ducts.**

- (1) Service ducts shall be enclosed by walls having a fire resistance of not less than two hours. Doors for inspection or access shall also have a fire resistance of not less than two hours.
- (2) If the cross-sectional area of a duct exceeds 1 sq. m it shall be sealed where it passes a floor with non-combustible light material. The seal within the duct may be pierced for any service pipe or ventilated trunk and shall fit as closely as possible around any such pipe or trunk.
- (3) A permanent vent shall be provided at the top of the service shaft of cross-sectional area not less than 460 sq. cm or 6.25 cm. for each 900-sq. cm of the area of the shaft, whichever is more.

#### **10. Refuse chutes and refuse chambers.**

- (1) Hoppers under refuse chutes shall be situated in a well-ventilated position and the chutes shall be continued upwards with an outlet above roof level and with an enclosure wall of non-combustible material with fire resistance of not less than two hours. The hoppers shall not be located within the staircase enclosure.
- (2) Inspection panels and hopper (charging station) opening shall be fitted with light fitting, metal doors, covers, having a fire resistance of not less than one hour. Flap doors/covers i.e. push-in or lift-up type shall not be permitted.
- (3) Refuse chutes shall not be provided in staircase walls and air conditioning shafts, etc.
- (4) Refuse chambers shall have walls and floors or roofs constructed of non-combustible and impervious material and shall have a fire resistance of not less than two hours. They shall be located at a safe distance from exit routes.

## **11. Building services**

### **(1) Electrical Services**

- (a) The electric distribution cables wiring shall be laid in a separate duct. The duct shall be sealed at every floor with non-combustible materials having the same fire resistance as that of the duct.
- (b) Water mains, telephone lines, inter-com lines, gas pipes or any other service line shall not be laid in the duct for electric cables.
- (c) Separate circuits for water pumps, lifts, staircase and corridor lighting and blowers for the pressurizing system shall be provided directly from the main switch gear panel and these circuits shall be laid in separate conduit pipes so that a fire in one circuit will not affect the others. Master switches controlling essential services circuits shall be clearly labelled.
- (d) The inspection panel doors and any other opening in the shaft shall be provided with air-tight fire doors having a fire resistance of not less than two hours.
- (e) High, Medium and low voltage wiring running in shafts, and within a false ceiling, shall run in metal conduits.
- (f) An independent and well ventilated service room shall be provided on the ground floor with direct access from outside or from the corridor for the purpose of termination of electric supply from the licensees' service and alternative supply cables. The doors provided for the service room shall have fire resistance of not less than two hours.
- (g) If the licensees agree to provide meters on upper floors, the licensees' cables shall be segregated from consumers' cables by a partition in the duct. Meter rooms on upper floors shall not open into staircase enclosures and shall be ventilated directly to open air outside.
- (h) PVC cables should have an additional sheathing or protection provided by compounds sprayed on after installation.

### **(2) Town gas/L.P. Gas supply pipes**

These pipes shall be run in shafts exclusively for this purpose and shall be on external walls, away from the staircases. There shall be no inter-connection between these shafts and the rest of the floors, Gas meters shall be housed in a suitable constructed metal cupboard located in a well-ventilated space at ground level.

### **(3) Staircase and Corridor Lightings**

- (a) The staircase and corridor lighting shall be on separate circuits and shall be independently connected so that they could be operated by one switch installation on the ground floor easily

accessible to fire-fighting staff at any time irrespective of the position of individual control of light points, if any.

- (b) Staircase and corridor lighting shall also be connected to alternate supply as defined in sub-Regulations (4). However, for assembly and institutional buildings less than 32 m. when the alternate source of supply may be provided by battery continuously trickle-charged from the electric mains.
- (c) Double throw switches should be installed to ensure that the lighting in the staircase and the corridor do not get connected to two sources of supply simultaneously. A double throw switch shall be installed in the service room to terminate the stand-by-supply.
- (d) Emergency lights shall be provided in the staircase/corridors for multistoried high rise and special buildings.

**(4) Alternate source of electric supply**

A stand-by electric generator shall be installed to supply power to staircase and corridor lighting circuits, fire lifts, the stand-by fire pump, pressurization fans and blowers, smoke extraction and damper systems in case of failure of normal electric supply. The generator shall be capable of taking starting current of all the machine and circuits stated above simultaneously. If the stand-by pumps are driven by diesel engine, the generator supply need not be connected to the stand by pump.

**(5) Transformer**

- (a) If transformers are housed in basement, they shall be necessarily in the first basement in a separate fire resisting room of four house rating, at the periphery of the basement. The rooms shall be protected by carbon dioxide or BCF fixed installation system to protect transformers. The entrance to the room shall be provided with a steel doors of two hours' fire rating. A curb (sili) of a suitable height shall be provided with at the entrance in order to prevent the flow of oil from a ruptured transformer into other parts of the basement. Direct access to the transformer room shall be provided preferably from outside. The switch gears shall be housed in a separate room separated from the transformer bays by a fire resisting wall with fire resistance of not less than four hours.
- (b) If housed in basement, the transformer shall be protected by an automatic high pressure water spray system (emulsifying).
- (c) Transformers housed at ground floor level shall be cut-off from the other portion of the premises by fire resisting walls of four hours' fire resistance.
- (d) They shall not be housed on upper floors except stilt at upper level & podium if dry type.
- (e) A tank of RCC construction of capacity capable of accommodating the entire oil of the transformers shall be provided at lower level, to collect the oil from the catch-pit in an emergency. The pipe connecting the catch-pit to the tank shall be of non-combustible construction and shall be provided with a flame-arrester.

**(6) Air-conditioning**

- (a) Escape routes like staircases, common corridors, lift lobbies etc. shall not be used as return air passages.
- (b) The ducting shall be constructed of substantial gauge metal in accordance with IS-655-1963 Metal Air Ducts (Revised).

- (c) Wherever the ducts pass through fire-walls or floors, the opening around the ducts shall be sealed with fire-resisting materials such as asbestos rope or vermiculite concrete glass wool.
- (d) As far as possible, metallic ducts shall be used even for the return air instead of space above the false ceiling.
- (e) The materials used for insulating the duct system (inside or outside) shall be of non-combustible materials such as glass wool, spun glass with neoprene facing.
- (f) Area more than 750 sq. m on the individual floor shall be segregated by a fire-wall and automatic fire dampers for isolation shall be provided where the ducts pass through fire walls. The fire dampers shall be capable of operating manually.
- (g) Air ducts serving floor areas, corridor etc. shall not pass through the staircase enclosure.
- (h) The air handling units shall as far as possible be separate for each floor and air ducts for every floor shall be separate and in no way interconnected with the ducting of any other floors.
- (i) Automatic fire dampers shall be provided at the inlet of the fresh air duct and the re-turn air duct of each compartment on every floor. They shall be so arranged as to close by gravity in the direction of the air movement and to remain tightly closed upon operation of a smoke detector.
- (j) If the air handling unit serves more than one floor, the requirements given above shall be compiled with an addition to the conditions given below: -
  - (i) Proper arrangements by way of automatic fire dampers working on smoke detectors for isolating all ducting at every floor from the main riser shall be made.
  - (ii) When the automatic fire alarm operates, the respective air handling units of the air-conditioning system shall automatically be switched off.
- (k) The air filters of the air-handling units shall be of non-combustible materials.
- (l) The air handling unit room shall not be used for storage of any combustible materials.
- (m) Inspection panels should be provided in main trunking to facilitate the cleaning of the duct of accumulated dust and to obtain access for maintenance of fire dampers.
- (n) No combustible material shall be fixed nearer than 15 cm. to any duct unless such duct is properly enclosed and protected with non-combustible material (glass wool) or spun glass with neoprene facing enclosed and wrapped with aluminum sheeting) at least 3.2 mm. thick and which does not readily conduct heat.
- (o) Materials used for false ceilings, runners and suspenders shall be of non-combustible type.

**(7) Boiler room**

Boiler and boiler rooms shall conform to the Indian Boilers Act. The following additional aspects should be taken into account in the location of boiler/boiler room:

- (a) Boilers shall not be allowed in a lower basement but may be allowed in basements at first level and away from the escape routes.
- (b) The boilers shall be installed in a fire-resisting room of 4 hours' fire resistance rating situated on the periphery of the basement. Catch-pitch shall be provided at the low level.
- (c) Entry to this room shall be provided with a composite door of two hours' fire resistance.

- (d) The boiler room shall be provided with fresh air inlets and smoke exhausts directly to the atmosphere.
- (e) The furnace oil tank for the boiler, if located in the adjoining room, shall be separated by fire resisting walls 4 hours rating. The entrance to this room shall be provided with double composite doors. A kerb of suitable height shall be provided at the entrance in order to prevent the flow of oil into the boiler room in case of tank rupture.
- (f) Foam inlets shall be provided on the external walls of the building near the ground level to enable the fire services to use foam in case of fire.

### 12. Provision of First Aid and Fire-fighting Appliances

- (1) First-aid firefighting equipment shall be provided on all floors including basements lift rooms, etc. in accordance with IS: 2217-1963 Recommendations for providing First-Aid Fire Fighting Arrangements in Public Buildings.
- (2) The firefighting appliances shall be distributed over the building in accordance with IS: 2190-1971 Code of Practice for Selection, Installation and Maintenance of Portable First-Aid Fire Appliances.

### 13. Fixed Fire-Fighting Installations

- (1) Buildings shall be protected by wet riser, wet riser-cum-down corner, automatic sprinkler, installation, high pressure water spray or foam generating system as prescribed in sub-Regulations (2) to (6) below: -
- (2) The wet riser/riser-cum-down comers' installation with capacity of water storage tanks and fire pumps shall conform to the requirements specified in Table hereunder.

**Table**

**Firefighting installation requirements: -**

Sr. No.	Type of the building occupancy	Requirements				
		Water Supply			Pump Capacity	
		Type of Installation	Underground Static Tank	Terrace Tank	Near the underground Static Tank	Terrace Level
(1)	(2)	(3)	(4)	(5)	(6)	(7)
1	a) Residential buildings below 15 m. in height	Fire Extinguisher, dry Riser, Automatic sprinkler system Require see note 2)	Nil	5000 (10000) ltrs ( see note 3-4)	Nil	Nil

1	b) Residential buildings 15 mts & above upto 32 in height	Fire Extinguisher, Hose reel, Down comer, Automatic sprinkler system  Require see note 2	Nil	15000 ltrs	Nil	900 litres per minute giving a pressure not less than 3.2 kg/cm <sup>2</sup> at the topmost hydrant.
2	Residential buildings- (a) Above 32 m. and not exceeding 70 m. (if plot area is less than 600 sq. m) with shopping/commercial up to two upper floor	Wet riser-cum-down comer.	50,000 litres	30000 litres	2400 litres per minute giving a pressure not less than 3.2 kg/cm <sup>2</sup> at the topmost hydrant.	900 litres per minute giving a pressure not less than 3.2 kg/cm <sup>2</sup> at the topmost hydrant.
	(b) Above 32 m. and not exceeding 70 m. (if plot area is more than 600 sq. m) with shopping/commercial up to two upper floor	Wet riser cum-down comer.	1,50,000 litres	30,000 litres	2,400 litres per minute giving a pressure not less than 3.2 kg/cm <sup>2</sup> at the topmost hydrant.	900 litres per minute giving a pressure not less than 3.2 kg/cm <sup>2</sup> at the topmost hydrant.
	(c) Exceeding 70 m.	Wet riser cum down corner	3,00,000 litres	50,000 litres	2800 litres per minute giving pressure not less than 3.2 kg/cm <sup>2</sup> at the top most hydrant.	900 litres per minute giving pressure not less than 3.2 kg/cm <sup>2</sup> at the top most hydrant.

(3)	Non-residential /Special type buildings-	Nil	50,000 litres	Nil	Nil	Nil
	(a) Upto 15 m. in height.					
	(b) Above 15 m. but not exceeding 32 m. in height except educational buildings.	Wet riser-cum-down corner.	1,00,000 litres	20,000 litres	1400 litres per minute giving a pressure not less than 3.2 kg/cm <sup>2</sup> at the topmost hydrant	900 litres per minute giving a pressure not less than 3.2 kg/cm <sup>2</sup> at the top hydrant.
	(c) Above 32 m. but not exceeding 70 m. in height except educational buildings. (If area of plot is less than 600 sq. m)	Wet riser-cum-down corner	1,00,000 litres	30,000 litres	2400 litres per minute giving a pressure not less than 3.2 kg/cm <sup>2</sup> at the topmost hydrant.	900 litres per minute giving a pressure not less than 3.2 kg/cm <sup>2</sup> at the top hydrant.
	(d) Above 32 m. but not exceeding 70 m. (If area of plot is more than 600 sq. m)	Wet riser-cum-down corner.	1,50,000 litres	30,000 litres	2400 litres per minute giving a pressure not less than 3.2 kg/cm <sup>2</sup> at the topmost hydrant.	900 litres per minute giving a pressure not less than 3.2 kg/cm <sup>2</sup> at the top hydrant.
	(e) Above 70 m. in height buildings. (If area of plot is more than 600 sq. m)	Wet riser-cum-down corner.	3,00,000 litres.	50,000 litres	2800 litres per minute giving a pressure not less than 3.2 kg/cm <sup>2</sup> at the topmost hydrant.	900 litres per minute giving a pressure not less than 3.2 kg/cm <sup>2</sup> at the top hydrant.

- Note – 1) Height of the building permitted as per Maharashtra fire Prevention and life safety Act 2006  
 2) Required to be installed in the basement if area of basement exceeds 200 sq. m.  
 3) Required to be provided in the basement if basement area exceeds 200 sq. m.  
 4) value given in parenthesis shall apply if the basement area exceeds 200 sq. m



Note:

1. Any of the above categories may incorporate an automatic sprinkle/a drencher system, if the risk is such that it requires such protective methods.
2. A minimum of two hydrants shall be provided within a courtyard.
3. Wet riser-cum-down corner is an arrangement for firefighting within the building by means of vertical rising mains of not less than 10 cm. Internal dia, with hydrant and hose reel on each floor landing connected to an overhead water/storage tank for firefighting purpose through a booster pump, check valve and a non-return valve near the tank end and a fire pump, gate and non-return valve over the underground static tank. A fire service inlet at ground level filled with a non-return valve shall also be provided to the rising main for charging it by a fire service pump in case of failure of static fire pumps over the underground static tanks.
4. The performance of pumps specified above shall be at R.P.M. not exceeding 2,000.
5. The above quantities of water shall be exclusively for firefighting and shall not be utilised for domestic/or other use. The layout of underground static water tank shall be as per the requirement of CFO/CFO manual.
6. The size of the riser in the non-residential buildings over 32 m. high shall be 15 cm. (internal dia.) with twin hydrant outlets and hose reel on each floor.
7. A facility to boost water pressure in the riser directly from the mobile pump shall also be provided to the wet riser system with suitable fire service inlets (collecting head with two 63 mm inlets for 10 cm rising main and four 63 mm inlets with check valves for 15 cm. Dia rising main) and a non-return valve and a gate valve.
8. Hose Reel-The Internal diameter of rubber hose for the hose reel shall be a minimum of 19 mm. A shut-off branch with a nozzle of 4.8 mm. size shall be provided.

### **(3) Wet Riser Installation**

They shall conform to IS: 3644-1966 Code of Practice for Installations of Internal Fire Hydrants in high-rise buildings. In addition, the wet-riser shall be designed for zonal distribution ensuring that unduly high pressure does not develop in risers and hose pipes.

In addition to wet-riser, wet riser-cum-down corner, first aid hose reels shall be installed on the floors of buildings above 32 m. and shall conform to IS :884-1969 Specifications for First Aid Hose Reel for Fire Fighting (Fixed Installation). The first aid hose reel shall be connected to one of the female couplings of twin couplings of landing valves directly to the wet riser in the case of single outlet of the wet riser installations by means of adapter: -

- (i) Static Water Storage Tank: - A satisfactory supply of water for the purpose of firefighting shall always be available in the form of an underground static storage tank with capacity specified for each building with arrangements of replenishment by main or alternative source of supply at 1,000 liters per minute. The static storage water supply should easily be accessible to fire engines. Provision of suitable number of manholes shall be made available for immersion, repairs and inspection of suction hose etc. The covering slab shall be able to withstand a vehicular load of 18 tonnes. The domestic suction tank connected to the static water storage tank shall have an overflow capable of discharging 2250 litres per minute to a visible drain point from which by a separate conduit the overflow shall be conveyed to a storm water drain.

- (ii) To prevent stagnation of water in the static water storage tank, the suction tank of the domestic water supply shall be fed only through an overflow arrangement to maintain the level therein at the minimum specified capacity.

The static water storage tank shall be provided with a fire brigade collecting breaching with four 63 mm. Dia. (two of 63 mm. dia. for pump with capacity 1,400 liters/minute) instantaneous male inlets arranged in a valve box at a suitable point at street level and connected to the static tank by a suitable fixed pipe of not less than 15 cm dia. to discharge water into the tank when required at a rate of 2250 litres per minute.

- (iv) Automatic Sprinklers: - Auto-sprinklers shall be installed in accordance with provisions of NBC, amended up to date:

**(4) Automatic High Pressure Water Spray (emulsifying):** - This system shall be provided for protection of indoor transformers of a substation in a basement area.

**(5) Foam Generating System:** - This system shall be provided for protection of boiler rooms with ancillary, storage of furnace oils in a basement.

**(6) Carbon-dioxide (Co2) Fire Extinguishing System:** - Fixed Co2 fire extinguishing installation shall be provided as per IS: 6382-1971 Code of Practice for Design and Installation of Fixed Co2 Fire Extinguishing System on premises where water or foam cannot be used for extinguishing fire because of the special nature of the contents of the buildings/areas to be protected. Where possible, BCF installation may be provided instead of Co2 installation.

#### 14. Fire Alarm System: -

All buildings mentioned below shall be equipped with fire alarm systems as given below: -

**(i) Special buildings above 15 m. in height and Business and Industrial buildings above 32 m in height-**

- (a) Such buildings shall be equipped with a manually-operated electrical fire alarm system with one or more call boxes located at each floor. The call boxes shall be so located that one or other of them shall be accessible to all occupants of the floor without having to travel more than 30 m.
- (b) The call boxes shall be of the 'break-glass' type without any moving parts where the call is transmitted automatically to the control room without any other action on the part of the person operating the call box.
- (c) All call boxes shall be wired in a closed circuit to a control panel in the control room located as given in this rule so that the floor number where the call box is actuated is clearly indicated on the control panel. The circuit shall also include one or more batteries with a capacity of 48 hours normal working at full load. The battery shall be arranged to be continuously trickle-charged from the electric mains. The circuit may be connected to an alternate source of electric supply.
- (d) The call boxes shall be arranged to sound one or more sounders so as to ensure that all the occupants of the building are warned whenever any call box is actuated.
- (e) The call boxes shall be so installed that they do not obstruct the exit-ways and yet their location can easily be noticed from either direction. The base of the call box be at a height of 1 m. from the floor level.

- (ii) All other buildings exceeding 32 m. height excluding those mentioned in clause (i) above: -**

These buildings shall, in addition to the manually operated electrical fire alarm system, be equipped with an automatic fire alarm system. The latter shall be in addition to any automatic fire-extinguishing system installed in any particular occupancy in accordance with these rules. The detectors for the automatic fire alarm shall conform to the relevant IS Specification Heat Smoke Sensitive Type Fire Detector and the system shall be installed in accordance with IS: 2189-1976 Code of Practice for Automatic Fire Alarm System of any other relevant Indian Standard, prescribed from time to time.

Provided that, no automatic detector shall be required in any room or portion of a building which is equipped with an approved installation of automatic sprinklers.

### **15. Lightning Protection of Buildings**

The lightning protection systems for buildings shall be in accordance with the provisions of Part III, National Building Code of India amended up to date.

### **16. Control Room**

For all buildings mentioned in clause no 14 above except residential buildings, there shall be a control room on the entrance floor of the building with communication system (suitable public address system) to all floor planers along with the details of firefighting equipment and installations shall be maintained in the control room. The control room shall also have facilities to detect a fire on any floor through indicator boards connecting fire detecting and alarm systems on all floors. The staff in-charge of the control room shall be responsible for the maintenance of the various services and firefighting equipment and installations. Control room shall be manned around the clock.

### **17. Fire drills and fire orders**

Fire notices/orders shall be prepared indicating the requirements of firefighting and evacuation of the building in the event of fire or another emergency. Occupants shall be thoroughly familiarised with their contents and action needed in the event of an emergency. Such notices should be displayed prominently.

### **18. Location of Refuge Area: -**

#### **i) Manner of providing refuge area: -**

- a) The refuge area shall be so located that it shall preferably face the access road/s or otherwise face the wider open space on the side of the building perpendicular to the main access road.
- b) The cantilevered Refuge area on cantilever will be permissible at the mid-landing of the staircase only. All other refuge areas shall be within the building line only.
- c) The cantilevered refuge area shall necessarily be of RCC type.
- d) The refuge area shall be provided with railing / parapet of 1.20 m.
- e) R.C.C. covering shall be provided above the topmost cantilever refuge area.
- f) The refuge area shall have a door which shall be painted or fixed with a sign in luminous paint mentioning "REFUGE AREA"
- g) The lift/s shall not be permitted to open into the refuge areas.
- h) The refuge area provided within building line shall be accessible from common passage/ staircase.

#### **ii) Use of refuge area: -**

- a) The refuge area shall be earmarked exclusively for the use of occupants as temporary shelter and for the use of Fire Brigade Department or any other organization dealing with fire or other

emergencies when occur in the building and also for exercises/drills if conducted by the Fire Brigade Department.

- b) The refuge areas shall not be allowed to be used for any other purpose and it shall be the responsibility of the owner/occupier to maintain the same clean and free of encumbrances and encroachments at all times.

**iii) Facilities to be provided at refuge area: -**

- a) Adequate emergency lighting facility shall be provided.
- b) Toilet may be provided within refuge area.
- c) Drinking water shall be provided.

**iv) Terrace floor as a refuge floor: -**

- a) The necessary facilities such as emergency lighting, drinking water etc. shall be provided.
- b) The access door/s from the enclosed staircase/s to the terrace floor shall have louvers at top half portion of the door. The entrance doors to the terrace shall be painted or fixed with sign painted in luminous paint mentioning "REFUGE AREA"

**19. Glass Façade**

All the buildings having glass façade shall comply with fire safety requirements as per Model Building Bye Laws/NBC

## APPENDIX- II

[Regulations 10.1, 10(3) (iii), (iv)]

Form of Notice and first Application for development Under Sections 44,45,58,69 of the Maharashtra Regional and Town Planning Act 1966 and to erect a building under section 337/342 of the Mumbai Municipal Corporation Act, 1888.

To,

The .....

Municipal Corporation of Greater Mumbai,

Mumbai.

Sir,

I intend to carry out development in the site/to erect, to re-erect/to make material alteration in the building.....on/in plot No. C.S.No./C.T.S. No.....of.....Division/village/Town Planning Scheme No.....situated at Road/Street.....

ward.....and in accordance with section 44,45, 58,69 of the Maharashtra Regional and Town Planning Act, 1966/section 337, 342 of the Mumbai Municipal Corporation Act, 1888, and the Maharashtra Development Plan Rules, 1970.

2. I enclose the following plans and statements (Items 1 to 6) wherever applicable, in quadruplicate , signed by (Name in block letter).....

Licensed surveyor/engineer/structural engineer/supervisor, License No.....

or architect, who has prepared the plans and designs on my behalf and copies of other statements/documents as applicable (Items 7 to 14): -

- 1) Key Plan (Location Plan)
- 2) Site Plan
- 3) Sub-division/layout plan
- 4) Building Plan
- 5) Particulars of development in the form in Annexure-4
- 6) Ownership Title documents and ownership title submitted by Solicitor/Advocate
- 7) Attested copy of receipt for payment of building permit fee
- 8) Self-certification from owner/developer regarding municipal tax clearance.
- 9) No objection certificate/s, where required.
- 10) Appointment letter in favour of licensed technical personnel or architect.
- 11) Supervision memorandum of licensed technical personnel or architect.
- 12) Property register card, and city survey plan for plot in original signed by the Competent City Survey Authority not issued prior to 12 months,
- 13) Owners' affidavit regarding area of the plot.
- 14) Architect's certificate for plot area along with area calculations by triangulation method.

Please approve the proposed development/construction and permit me to execute the work.

Yours faithfully,

Date: .....

Signature of Owner -----

Name of Owner ----- (in block letters)

Address of Owner -----

**Appendix III**  
**Regulation NO 59**

*Table. List of special purpose NOCs.*

Sr.No.	Authority	Location
1	Airport	For height of buildings as per the provisions of Regulation No 45(f)
2	Police	For Construction of Religious Structures
3	Jail Authority	Required by the Competent Authority and as notified by Urban Development Department, GoM
4	Railway	If situated within 30 m from Railway Track Boundary.
5	Defence	Required by the Defence Authority around defence installation and as notified by Urban Development Department, GoM
6	MHCC	For development related to Heritage Structures and in Heritage Precincts as specified in the Regulation No 52.
7	ASI (Archeological Survey of India)	As notified by the Competent Authority
8	MHADA /MBRR Board	In case of development of lands belonging to MHADA /development in MHADA layout, Cessed Buildings
9	MCZMA	For development in areas affected by Coastal Regulation Zone
10	MoEF	For development attracting the EIA Notification
11	Highway	Plot falling within highway buffer as shown on DP
12	MMRDA	In influence zone of Metro/Monorail as may be notified by the Competent Authority.
13	Estate Department of MCGM	Land of Improvement Trust
14	Collector	Government land/ NA/ ULC wherever applicable
15	Director of Industries	As specified in these Regulations

- The above cited list shall stand amended through additions/deletions mandated by GoM from time to time.

**Appendix IV**  
**(Regulation 60)**

**Repairs to existing Building**

**(1) Repairs to be carried out can be categorized as detailed below:**

Partial repairs- The repairs to the extent of 75% of BUA will be termed as partial repairs. The partial repairs shall be allowed with the permission of the Commissioner.

Extensive repairs- The repairs beyond 75% of BUA will be termed as extensive repairs which shall be allowed with the special permission of the Commissioner.

**(2) Type of Repairs:**

Category- I-The building neither affected by the road widening nor by DP Reservations.

Category-II-The buildings affected by the road widening or by reservations or by both

**(3) Pre-requisites while submitting the proposal:**

- (i) Notice under section 342 of MMC Act and notice under section 44/69 of MR & TP Act 1966 duly signed by owner/NOC Holder.
- (ii) NOC from M.B.R & R Board (if cessed building)
- (iii) Structural audit report/Statutory Notice issued by MCGM/MHADA
- (iv) Photographs showing condition of building as under:
  - a) Front roadside view from ground to top floor in one or more photographs as possible.
  - b) Side view elevation photographs wherever possible.
  - c) Dangerous portions proposed for repairs
  - d) Type of existing material in mode of construction
  - e) Roof photographs.
- (v) Plan showing block plan, location plan and all the details existing on site
- (vi) List of all the existing tenants/occupants signed by NOC Holder and countersigned by Architect, in case of non cessed building and list of all the existing tenants/occupants signed by Ex. Engineer M.B. R. & R Board in case of cessed building.
- (vii) Owner's consent for the proposed repairs/authority under section 499 of MMC Act where Owner's consent for proposed repairs is not possible.
- (viii) The onus of submitting authenticity of the structure for which repairs have been proposed shall entirely vest with owner/NOC holder

**(4) Guidelines**

- (1) The buildings which are in need of Extensive Repairs shall be preferably developed or redeveloped under the provisions of these Regulations. However, if development/redevelopment is not possible due to various reasons such as size/shape of plot, disputes and other reasons, then Extensive Repair may be allowed.
- (2) Except those buildings affected by setback of important roads from the point of view of their widening, in all other cases repairs will be allowed inclusive of setbacks, with registered undertaking for not claiming any compensation on account of repairs for the structure and shall



handover the portion of road setback as per prevailing policy/provision, when required by MCGM. The provision of Twin column arrangement shall be insisted at the sanctioned R.L / D.P. Road so as to detach the part of the building falling within the setback as and when required by MCGM for widening of roads.

- (3) When repairs are allowed in the setback/widening of the road portion only then, Standing Committee shall be intimated as per the section 297(3) of MMC Act.

If a road is already widened on either side of the building which is to be taken up for repairs, such building can be taken up for repairs in conformity with (2) and (3) above, if it requires extensive repairs.

- (4) Repairs may be allowed on sites under reservation, if the same is not under acquisition.

In case of reserved sites which are under acquisition, the repairs may be allowed with special permission of the Commissioner. In both the cases, registered undertaking shall be insisted upon from the NOC holder/owner stating that no compensation will be claimed on account of repairs for the structure as and when the property is acquired, and grant of permission for repairs will not in any way affect the process of acquisition and shall not be used as a tool to impede the process of acquisition.

- (5) It shall be the responsibility of the owner/NOC holder to ensure that the existing tenements/existing authorised uses are maintained.

- (6) No repairs to the unauthorised structure/unauthorised part of structure shall be allowed.

- (7) In case of cessed properties MHADA/MBRRB may carry out repairs of buildings after obtaining remarks from MCGM as per provisions of the MHADA Act. Remarks and observations if any as stated in these guidelines shall be complied with during the course of repairs.

Notes:

1. The repairs to the non-tallying portion which forms part of common amenities such as toilet block, washing places, common passage, and staircase can be considered at Dy. Ch. E (BP)'s level.
2. In case applicant submits documentary evidence from Government Authority to prove the existence of non-tallying portion prior to 01/04/1962 for non-residential and 17/4/1964 for residential buildings, repairs can be allowed
3. In case of partial/extensive structural repairs of buildings owned by Government/Semi Government organizations/Municipal Corporation/B.E.S.T. Undertaking/Government-Semi Government Undertakings, approval of the Head of department/Competent Authority of Concerned organization shall be sufficient. Structural Audit as per the requirement of MCGM and compliance thereof shall have to be observed by the concerned organization/Authority.

APPENDIX- V

MUNICIPAL CORPORATION OF GREATER MUMBAI

No. Dy.Ch.E./BP/

of

Office of the:

Dy. Chief Engineer (B.P.)

ADVANCE POSSESSION RECEIPT

Sub: -Handing over and taking over the advance possession of plot/Area of D.P. Road/Reservation/amenity area etc. as per provisions of DCR 2034 out of Survey No./H.No. ...., CTS No. /C.S. No./ F.P. No. .... of village /Division/ T.P. Scheme No. .... in ..... Ward.

..... working as Assistant Engineer in the Office of Dy. Ch.E. (B.P.)..... and ....., the owner of the said plot of land have respectively taken over on behalf of MCGM as per provisions of DCR and handed over the representative possession of the above said land respectively. The possession of the land mentioned below has been taken as required by the Deputy Superintendent Land Records as per Indian Registration Act, 1908, for the rectification in the Land Record. This possession Receipt does not mean that MCGM have taken final possession of the said land.

The final possession receipt shall be issued only after ascertaining the actual area as per provisions of DCR & joint measurement plan and physically taken over the possession of plot by MCGM and handed over by the owner. The cost of any transaction involved shall be borne by the owner or lessee.

The particulars of land considered for initial stage of representative advance possession receipt is as mentioned below-

Survey No.	H.No.	CTS No./C.S.No./F.P.No.	Village/Division/TPS	Area in Sq. M.

Conditions to be complied with before handing over final possession of the subject land.

- The construction of compound wall with gate wherever necessary.
- The necessary provision of storm water drain.
- Joint Measurement Survey with C.T.S.O
- The Title Clearance has been certified by Advocate/Solicitor who has experience in this field of a minimum 10 years.
- The owner/developer agreeing to rectify the defects in the works, if any, in terms of Undertaking separately given by the owner.
- Any other conditions as may deem fit and proper in the interest of general public.

On..... Day of the month of .....

Handed over by	Taken over by
----------------	---------------

OWNER Address :	Sub Engineer/Assistant Engineer Bldg. Proposal (   Ward)
--------------------	---

Disclaimer: This advance possession receipt is issued on the request of applicant and as per Provisions of Regulation No.....of DCR 2034. This advance possession receipt will not entail land owner/lessee to serve Purchase Notice under Section 49/127 of M.R. & T.P. Act, 1966 amended up to date.

## APPENDIX- VI

(Final Possession Receipt from Owner to DP Department &amp; DP Department to Estate Department)

## MUNICIPAL CORPORATION OF GREATER MUMBAI

No. Ch.E./DP/

of

OFFICE OF THE:

Chief Engineer (Development Plan)

Brihanmumbai Mahanagarपालिका,

Municipal Head Office,

5<sup>th</sup> floor, Annexe Building,

Mahapalika Marg,

Fort, Mumbai-400 001.

## FINAL POSSESSION RECEIPT

Sub:- Handing over and taking over of D.P. Road /Reservation/Amenity area out of Survey No. /H .No. ...., CTS No. /C.S. No. / F.P. No. .... of village /Division/ T.P. Scheme No. .... in..... Ward.

Ref:-1) Advance possession Receipt No. Dy.Ch. E. /BP/..... dtd.....

\_\_\_\_\_ working as Assistant Engineer in the Office of Ch.E. (D.P.) and \_\_\_\_\_, the owner for the said plot of the land have respectively taken over and handed over the possession of the above mentioned vacant land.

The particulars of land are as mentioned below-

Survey No.	H. No.	CTS No./ C.S. No./F.P. No.	Village/Division	Area in Sq. m.

- The compound wall with gate wherever necessary is provided.
- The necessary provision of storm water drain is made.
- The area of the D P Road/Reserved land/Amenity area has been ascertained on the basis of Joint Measurement Survey with SLR/C.S. Office under M.R. Plan No. .... dated ..... with communication No. .... dated ..... and as per the provisions of these Regulations.
- The Title Clearance has been certified by Advocate/Solicitor who has experience in this field of a minimum 10 years
- Any other conditions as may deem fit and proper in the interest of general public.
- The possession of above land is taken over subject to the owner/developer agreeing to rectify the defects in the works and in terms of Undertaking separately given by the owner.
- Ownership of land so handed over shall be transferred in the name of MCGM in land revenue records. The cost of any transaction involved shall be borne by the owner or lessee

NOTE:-In case of constructed built up amenity to be handed over along with plot as per the provisions of these Regulations, then the details such as built up area of amenity, number of tenements/non-residential galas, along with requirements like number of parking with their earmarking on the occupation plans and details Occupation/Completion Certificate shall be clearly mentioned in the possession receipt.

On ..... Day of the month of .....

Handed over by

Taken over by

OWNER

Sub/Asstt. Engineer Development Plan (    Ward)

Address:

MUNICIPAL CORPORATION OF GREATER MUMBAI

No. Ch.E. /DP/ of

FINAL POSSESSION RECEIPT

Sub:- Handing over and taking over possession of D.P.Road/Reservation/Amenity out of Survey No./H.No. ...., CTS No. /C.S. No./ F.P. No. .... of village /Division/ T.P.Scheme No. .... in ..... Ward.

..... working as Assistant Engineer in the Office of Ch.E.(D.P.) and ....., working as Assistant Engineer in the Office of Assistant Commissioner (Estates) / Ward for the said plot of the land have respectively handed over and taken over the possession of the above mentioned vacant land.

The particulars of land is as mentioned below-

Survey No.	H. No.	CTS No./ C.S. No./F.P. No.	Village/Division	Area in Sq. m.

- The compound wall with gate wherever applicable is provided.
- The necessary provision of storm water drain is made.
- The area of the D P Road/Reserved land/Amenity area has been ascertained on the basis of Joint Measurement Survey with SLR/C.S. Office under M.R. Plan No. .... dated ..... with communication No. .... dated ..... and as per the provisions of these Regulations.
- The Title Clearance has been certified by Advocate/Solicitor who has experience in this field of a minimum 10 years
- Any other conditions as may deem fit and proper in the interest of general public.
- The possession of above land is taken over subject to the owner/developer agreeing to rectify the defects in the works and in terms of Undertaking separately given by the owner.
- Ownership of land so handed over shall be transferred in the name of MCGM in land revenue records. The cost of any transaction involved shall be borne by the owner or lessee

NOTE:-In case of constructed built up amenity to be handed over along with plot as per the provisions of these Regulations, then the details such as built up area of amenity, number of tenements/non-residential galas, along with requirements like number of parking with their earmarking on the occupation plans and details Occupation/Completion Certificate shall be clearly mentioned in the possession receipt.

On ..... Day of the month of .....

Handed over by  
Sub/Assistant. Engineer  
Development Plan ( Ward)

Taken over by  
Sub/Assistant Engineer  
Assistant Commissioner (Estates) / Ward

**ANNEXURE - 1**

(Part of Appendix II Item 5)

**Particulars of Development**

- 1) (a) (i) Applicant's Full Name .....
- (in block letters) .....
- (ii) Applicant's address .....
- (a) Name and address of Licensed Surveyor/Engineer/Structural Engineer or Supervisor/Architect employed/Professionals on Records .....
- .....
- (c) No. and date of issue of license ..... Valid up to .....
- 2) Is the plot affected by any reservation or road lines? If so, are these correctly and clearly marked on the block plan?
- 3) \* (a) What is the total area of the plot according to the document?
- \* (b) Does it tally with the Collector's record?
- \* (c) What is the actual area available on site measured by the licensed surveyor/architect/engineer/supervisor or architect?
- (d) If there is any deduction in the original area of the plot on account of road lines or reservation? Please state the total area of such deductions.
- (e) If so, what is the net area?
- (f) Is the clearance under Urban Land (Ceiling and Regulations) Act, 1976 obtained? If so, what is the area allowed for development? Clearance under Urban Land (Ceiling and Regulations) Act, 1976 else an undertaking.
- \* Permission will be based on the minimum of areas in (a), (c) or (f) above.
- Note. -INDICATE DETAILS ON THE SITE/BUILDING PLAN AS IN FORM 1.
- 4) Are all plans as required under Regulations 10(3) enclosed?
- 5) (a) Is the plot part of a city triangulation survey number, revenue survey number or hissa number or a final plot number (city survey number) of a Town Planning Schemes or a part of an approved layout?
- (b) Please state sanction number and date of sub-division/layout.
- 6) (a) In what zone does the plot fall?
- (b) What is the permissible Floor Space Index of the Zone?
- (c) What is the number of tenements per net hectare permissible in the zone?
- 7) (a) Is the use of every room in the proposed work marked on the plans?
- (b) Is it in accordance with the Regulations?
- (c) Does the building fall in the category of-
- (i) Special building as defined in Regulations 2(iv)(17)(n)
- (ii) High rise building as defined in Regulations 2(iv)(75)

8 If the work is in connection with an industry-

- a) Please briefly describe the main and accessory processes.
- b) Please state the maximum number of workmen and the total KW likely to be employed per shift in the factory.
- c) Under what industrial classification does it fall? (Reference to relevant Regulation should be given).
- d) Is the proposal for relocation of an existing industry? If so, give the name and address of the existing industry.

Note. - The permission will be based on the area which is minimum.

- e) If the proposal is for the establishment of a new industry or for the expansion of an existing industry, is a copy of the "No Objection Certificate" from the Department of Industries enclosed [see Regulations No. 18(k) wherever applicable?
- f) Will the building be away from the boundary of a residential or commercial zone or as per Table 18(B) in Regulations 41(4)?
- g) Is the proposal for a service industrial estate on a plot reserved for service industries or in industrial zone?
- h) Nature and quantum of industrial waste/effluents and methods of disposal be stated.

9) (a) What is the average-

- (i) Prescribed width and
- (ii) Existing width of the street?

(If the plot abuts two or more streets, information for all streets should be given).

(b) What is the height of the building-?

- (i) above the average ground level of the plot?

Does it comply with Regulations 43?

10) (a) If there are existing structures on the plot-

- (i) Are they correctly marked and numbered on the site plan?
- (ii) Are those proposed to be demolished immediately coloured yellow?
- (iii) What is the plinth area and total floor area of all existing structures to be retained?  
(Please indicate in the appended Statement 'A' with details)
- (iv) What is the number of existing tenements in the structure(s) to be retained?

(b) What is the plinth area and total floor area of the proposed work or building?

(Please indicate in appended statement 'B' with details

(c) What is the number of tenements proposed?

Note. - INDICATE DETAILS OF THE BUILDING PLAN AS IN FORM 1.

11) (a) Please state the plinth area and total floor area, existing and proposed (i.e. totals of items 10) a) (iii) and 10(b).

- b) Please state the Development Rights, if any, proposed to be used and the floor space index credit available there under.



- c) Please state the overall floor space index [Item 11(a) divided by Item 3(e)] plus the floor space index available due to Development Rights.
- d) Does the work consume the full floor space index of the plot, as given in item 6(b)?  
If not, why not?
- e) Is the building proposed with setbacks on upper floors?
- f) What is the total number of tenements [Item 10(a) (iv) plus Item 10(c)]?

Note. -INDICATE DETAILS ON THE BUILDING PLAN AS IN FORM 1.

12) (a) What is the width of the front open space? If the building abuts two or more streets, does the front open space comply with Regulations 41(1)

(b) Please state which of the sub-Regulations of Regulations 41 and/or any other Regulations is applicable for the open space?

13) Does the front open space comply with the Regulations?

14) (a) What is-

- (i) the width of side open space (s)?
- (ii) the width of rear open space (s)?
- (iii) the distance between buildings?

(b) Do they comply with Regulations 41(2)(i)(a)?

Regulations 41(6)?

(c) Are there two or more wings to the buildings?

If so, are the open spaces separate or distinct for each wing as required by Regulations 41(1)(a)

15) If the plot is narrow, which clause under Regulations 41(7)(a) or Regulations 41(7)(b), do you propose to take advantage of (whatever applicable)?

16) (a) What are the dimensions of the inner or outer chowk?

(b)(i) Does any room depend for its light and ventilation on the chowk? If so, are the dimensions as required for each wing of the buildings?

(ii) If not, is the area at least equal to square of one-fifth of the height as per Regulations 41(8)

(17) If the height of the building is greater than 16 m. above the average ground level, is provision for lift (s) made?

If so, give the following details of the lift(s): -

(a) Details of lift

Type | Passenger Capacity | No. of lifts | Types of doors

(b) Details of fire lift.

Type | Passenger Capacity | No. of lifts | Types of doors

18) (a) Does the building fall under the purview of clause 2(iv)71 or (n) of sub-Regulations (17), Regulations 2?

(b) If so, do the proposed fire protection requirements conform to those in Appendix I?

(c) If not, give reasons.

19) (a) (i) What is the requirement of parking spaces under Regulation 44(2) and (3)?

(ii) How many are proposed?

(iii) How many lock-up garages are proposed?

(b) (i) Are parking spaces for transport vehicles provided (Regulations 44(5))?

(ii) If so, what is the requirement?

(iii) How many are proposed?

NOTE: -INDICATE DETAILS ON BUILDING PLAN AS IN FORM 1.

20) (a) (i) What are the maximum widths of balconies?

(ii) Will they reduce the required open space to less than the provisions of the Regulation?

(iii) Do they serve as a passage to any part of the building?

(iv) What is their total area?

(v) What is the maximum width of weather-frames, sun-shades (chajja), sun-breakers, cornices, caves, or other projections?

(c) (i) Are any porches/canopies proposed?

(ii) Do they comply with requirements of Regulations 42?

21) (a) What is the width of the means of access?

(b) What is its clear height?

(c) Will it be paved, drained and kept free of encroachment?

22) Is the recreational or amenity open space provided as required under Regulations 27(I), 27(2)?

23) (a) Are any accessory buildings proposed? If so, for what purpose?

(b) What are their heights?

(c) Are they 7.5 meters away from the street or front plot boundary and if located within the open spaces, 1.5 meters from any other boundary?

(d) Is their area calculated in floor space Index?

24) (a) What is the proposed height of the compound wall?

Is it at a junction?

(b) Does it comply with Regulations 37(24)?

25) (a) (i) Is the proposal in the airport zone?

(b) (ii) Is a "No Objection Certificate" for height and character of smoke from chimneys obtained from Civil Aviation Authorities (Attach copy).

(c) Does the proposal fall in the category of tower-like structure vide Regulation 2(iv)124 and 41(2)(i)(c)? If so, does it comply with the requirement thereof?

26) Indicate provision for common conventional antenna for receipt of television transmission in residential building with more than ten tenements (Regulations 42)

27) Does the proposal fall in any of the areas/zones such as those of the Mumbai Metropolitan Region Development Authority/ Maharashtra Housing and Area Development Authority/Railway/Highway/Slum Authorities/Power Transmission line/Coastal Area/No Development Zone/Tourism Development Zone/Communication Authorities etc.?

28) (a) Does any natural water course pass through the land under development?

(b) Is the necessary set back provided according to Regulations 18(b)?

29) (a) Is the plinth level proposed to be above the level of the surrounding ground level?

(b) Will the proposed plinth level be above 27.55 m Town Hall Datum?

(c) Is the plot proposed to be filled upto the level of the abutting road or Reduced Level (R.L.) 27.55 m Town Hall Datum, whichever is more?

30) The details of the materials to be used in construction with specifications are as follows:

Roofs-----

Floors-----

Walls-----

Columns-----

Beams-----

Any other Material-----

“Note:- Building material to be used in construction such as brick etc. shall contain fly ash. Fly ash shall also be used for construction and road/ maintenance as permissible as per I.S. specification”

31) The number of water closets, urinals, kitchens, and baths to be provided are as follows:

Water closets | Baths | Urinals | Kitchen

Existing-----

Proposed-----

32) Details of the source of water to be used in the construction.

33) Distance from the sewer.

34) How much municipal land, if any, will be used for stacking building material?

35) Please explain, in detail, in what respect the proposal does not comply with these Regulations and the reasons therefore, attaching separate sheets for this information, if necessary.

I am the owner-lessee/mortgagee in possession/----- of the plot on which the work is proposed and that the statements made in this Form are true and correct.

Date:

Address:

Signature of the applicant.

Form of certificate be signed by the Licensed Surveyor/Engineer/Structural

Engineer/Supervisor or Architect/ Professionals on Records employed by the Applicant

I (Name) ----- have been employed by the applicant as his Licensed Surveyor/Engineer/Structural Engineer/Supervisor or Architect. I have carefully pursued his covenant or conveyance in respect of this plot and have examined the boundaries and the area of the plot

and I certify that I have personally verified all the statements made by the applicant who is the owner/lessee/mortgage in possession of the plot & possess ownership/absolute development rights as in the above Form and the attached Statements A and B and found them to be correct.

Date:

Address

Signature of Licensed Surveyor/Architect

Engineer/Structural Engineer/Supervisor

Note: - INDICATE IN BUILDING PLAN AS IN FORM II.

**STATEMENT 'A'**

(Serial No. 10(a)(iii) in ANNEXURE 1)

Existing Building to be retained

Existing Building No. (1)	Floor No. (2)	Plinth Area (3)	Total floor area of the Existing Building (4)	Use or Occupancy of floors (5)

**STATEMENT 'B'**

[Sr. No. 10(b) in ANNEXURE "1"]

Proposed Work/Buildings

Building No.	Floor No.	Area	Total Floor Area of proposed work	Use or Occupancy of Floors

**FORM I**

(Sr. No. 2, 9,10,11,19 in ANNEXURE "1")

(At right top corner of site/building plan at Ground Floor Level)

**I. Area Statement**

Square meter

## 1. Area of plot

- a) Area of Reservation in plot
- b) Area of Road Set back
- c) Area of D P Road

## 2. Deductions for.

## (A) For Reservation/Road Area

- (a) Road set-back area to be handed over (100%) (Regulation No 16)
- (b) Proposed D P road to be handed over (100%) (Regulation No 16)
- (c) (i) Reservation area to be handed over (Regulation No 17)
- (ii) Reservation area to be handed over as per AR (Regulation No 17)

## (B) For Amenity area

- (a) Area of amenity plot/plots to be handed over as per DCR 14(A)
- (b) Area of amenity plot/plots to be handed over as per DCR 14(B)

(c) Area of amenity plot/plots to be handed over as per DCR 35(abeyance)

(C)Deductions for Existing Built up area to be retained if any/ Land component of Existing BUA / Existing BUA as per Regulation under which the development was allowed.

3. Total deductions: [ 2(A) +2(B) +2(C) as and when applicable.]
4. Balance area of plot (1 minus 3)
5. Plot area under Development after areas to be handed over to MCGM / Appropriate Authority as per Sr. No. 4 above.
6. Zonal (basic) FSI (0.50 or 0.75 or 1 or 1.33)
7. Built up Area as per Zonal(basic) FSI (5 \* 6)

**(In case of Mill land Permissible BUA kept in abeyance)**

8. Built up area equal to area of land handed over as per Regulation 30(A)
  - (i) As per 2(A) and 2(B) except 2(A)(c)(ii) above with in cap of “Admissible TDR as column6 of Table – 12 on remaining / balance plot
  - (ii) In case of 2(A) (c)(ii) permissible over and above permissible BUA on remaining / balance plot.
9. Built up Area In lieu of Cost of construction of built up amenity to be handed over (within the limit of permissible BUA on remaining plot)
10. Built up area due to “Additional FSI on Payment of Premium” as per Table No 12 of Regulation No 30 (A) on remaining / balance plot
11. Built up area due to admissible “TDR” as per Table No 12 of Regulation No 30(A) and 32 on remaining / balance plot
12. Permissible Built up Area {as the case may be with /without BUA as per 2( c)}
13. Proposed Built Up Area{as the case may be with /without BUA as per 2( c)}
14. TDR generated if any as per regulation 30 (A) and 32
15. Fungible Compensatory Area as per Regulation No 31(3)
  - a) i)Permissible Fungible Compensatory area for Rehab component without charging premium
  - ii) Fungible Compensatory area availed for Rehab component without charging premium
  - b) i) Permissible Fungible Compensatory area by charging premium.
  - ii) Fungible Compensatory area availed on payment of premium
16. Total Built up Area proposed including Fungible Compensatory Area [13 +15(a)(ii) +15(b)(ii)]
17. FSI consumed on Net Plot [13/ 4]

**(II) Other Requirements**

**(A) Reservation/Designation**

- a) Name of Reservation
- b) Area of Reservation affecting the plot
- c) Area of Reservation land to be handed/handed over as per Regulation No.17
- d) Built up area of Amenity to be handed over as per Regulation No.17

- e) Area/Built up Area of Designation
- (B) Plot area/Built up Amenity to be Handed Over as per Regulation No
  - (i) 14(A)
  - (ii) 14(B)
  - (iii) 15
- (C) Requirement of Recreational Open Space in Layout/Plot as per Regulation No.27
- (D) Tenement Statement
  - (i) Proposed built up area (13 above)
  - (ii) Less deduction of Non-residential area (Shop etc.)
  - (iii) Area available for tenements [(i) minus (ii).]
  - (iv) Tenements permissible (Density of tenements/hectare)
  - (v) Total number of Tenements proposed on the plot
- (E) Parking Statement
  - (i) Parking required by Regulations for. -
    - Car
    - Scooter/Motor cycle
    - Outsiders (visitors)
  - (ii) Covered garage permissible
  - (iii) Covered garages proposed
    - Car
    - Scooter/Motor cycle
    - Outsider (Visitors)
  - (iv) Total parking provided
- (D) Transport Vehicles Parking
  - (i) Spaces for transport vehicles parking required by Regulations
  - (ii) Total No. of transport vehicles parking spaces provided

Note – The Proforma is for an illustrative guideline only. The proforma may be modified to suit the provisions of DCR under which the development is proposed.

FORM II

(At right bottom corner of plans/below Form I)

Contents of sheet

Stamp of date of receipt of plans

Stamp of approval of plans

Revision

	Date	Description Signature
--	------	--------------------------

Certificate of Area

Certified that I have surveyed the plot under reference on..... and that the dimensions of the sides, etc. of the plot stated on the plan are as measured on site and the area so worked out is\* ..... Square meters and tallies with the area stated in the document of ownership/Town Planning Scheme records.

Signature of Licensed Surveyor/Architect/Engineer/Structural Engineer/Supervisor or Architect

Description of proposal and property

Name of owner

Job No.

Drg no. Scale Checked by

Drawn by

North Line

Signature, Name (in block letters) and Address of Licensed Surveyor/Engineer/Structural Engineer/Supervisor or Architect.

\*Area to be stated in figures and also in words



## ANNEXURE 2

## FORM OF SUPERVISION ACCEPTANCE

(By Architect/Licensed Surveyor for Building Permission)

To

The..... Municipal  
Corporation of Greater Mumbai, Mumbai

Subject: Acceptance of supervision of proposed development

Sir,

The development work of the

Full Particular of the work	
On plot bearing C.S.No./C.T.S.No./F.P.No.	
Of Division/village/T.P. Scheme No.	
Type of Development	
Road Name:	
Ward	
Name of Architect/Licensed Surveyor	

Will be carried out under my supervision. All the materials (type and grade) and the workmanship of the work will generally tally with the general specifications submitted along with the plans and the work will be carried out according to the sanctioned plans. I shall be responsible for the execution of the work in all respects.

Yours faithfully,

Name of the Architect/Licensed Surveyor
License No.
Address:
Tel. No.:
Signature:
Date:

**ANNEXURE 3**

PLOT AREA CERTIFICATE

(On the letter head of Architect/Licensed Surveyor)

Date: \_\_\_\_\_

To,  
 Executive Engineer,  
 Building Proposal \_\_\_\_\_ ward, M.C.G.M.

Subject: Proposed development on plot

Full Particular of the work	
On plot bearing C.S.No./C.T.S.No./F.P.No./	
Of Division/village/T.P. Scheme No.	
Ward	
Name of Owner	

Reference: Building Proposal File  
 No. \_\_\_\_\_

Sir,

I have submitted a proposal on behalf of my/our client Shri/M/s. \_\_\_\_\_  
 \_\_\_\_\_ for the proposed development on the above referred plot. The area of the plot is \_\_\_\_\_ sq. m as per the P.R. Cards obtained from city Survey office dated \_\_\_\_\_. In order to verify the plot area, I/We have carried out the survey of the said plot through our staff to ascertain correctness of the area mentioned in the Property Register Card. The said survey has been carried out on the basis of the boundaries of the plot shown by the Owner/client.

The said area as per the survey no works out to \_\_\_\_\_ sq. m and FSI is claimed for the plot area \_\_\_\_\_ sq. m

Thanking you,

Yours faithfully

Name of the Architect/Licensed Surveyor
Registration No.:
Address:
Tel.No.:
Signature:
Date:

ANNEXURE 4

OWNER'S PLOT AREA AFFIDAVIT

(To be typed on stamp Paper of Requisite value)

To  
The Executive Engineer,  
B.P. \_\_\_\_\_ ward Mumbai.

Subject: Proposed development on property bearing C.S./C.T.S.No./ F.P.  
No. \_\_\_\_\_, Of Division/village/T.P. Scheme No. \_\_\_\_\_ at \_\_\_\_\_ Road  
in \_\_\_\_\_ ward.

Reference: Building Proposal File No./Proposal No. \_\_\_\_\_

I \_\_\_\_\_, possessing the right of development by virtue  
of conveyance/Lease/Development Agreement/Power of Attorney dated \_\_\_\_\_ for the  
property bearing C.S./C.T.S.No./F.P.No. \_\_\_\_\_, of Division/village/T.P. Scheme No \_\_\_\_\_ at  
\_\_\_\_\_ Road in \_\_\_\_\_ ward and having my residence/office at \_\_\_\_\_

\_\_\_\_\_ solemnly affirm and say as under:

I have submitted the plans through my Architect/Licensed surveyor \_\_\_\_\_ having License  
No. \_\_\_\_\_ for development of the aforesaid property.

In order to verify the area, I have also carried out survey of the said plot through my Architect/ Licensed  
surveyor to ascertain the correctness of the area.

I say that my Architect/Licensed Surveyor has certified the said area on the basis of the property register card  
duly certified by the Superintendent of Land Records and/or on the basis survey carried out as per the  
boundaries of the property shown by me/us.

The said area works out to \_\_\_\_\_ sq. m (in words \_\_\_\_\_ sq. m. \_\_\_\_\_ and F.S.I is  
claimed for the plot area \_\_\_\_\_ sq.m.

It may also be stated here that I/we do not hold /own any contiguous land with the subject land.

SOLEMNLY AFFIRMED AT MUMBAI

DATED THIS \_\_\_\_\_ DAY OF

(Name & Signature of Owner/C.A. to Owner)

BEFORE ME.

Note: To be submitted in original duly notarized.

**ANNEXURE-5**

**SUPERVISION MEMO OF STRUCTURAL ENGINEER**

(On the Letter Head of STRUCTURAL ENGINEER)

Name of Structural Engineer

License No.

Date: \_\_\_\_\_

To,  
 Executive Engineer,  
 Building Proposal \_\_\_\_\_ ward, M.C.G.M.

Subject: Proposed development work of .....

Building proposal No	
Full Particular of the work	
On plot bearing C.S.No./C.T.S.No./F.P.No./Of Division/village/T.P. Scheme No	
Type of development	
Road Name	
Ward	
Name of Architect / Licensed Surveyor	
Name of Owner	

With reference to the letter of our appointment dated \_\_\_\_\_ addressed to you, by the Owner, I hereby confirm that I have agreed to act as the Consulting Structural Engineer for the above proposal.

I further confirm that the structural design and calculations shall be in conformity with the provisions of IS Code nos. 1875, 1893 & 4326 taking into consideration the seismic forces etc. as required by the planning authority.

Thanking you,

Yours Faithfully

Name of the Consulting Structural Engineer
Registration No
Address:
Tel. No.:
Signature:
Date:

- C.C.to: 1. Owner.  
 2.. Architect /Licensed Surveyor

## ANNEXURE 6

## SUPERVISION MEMO OF LICENSED PLUMBER

(On the Letter Head of Licensed Plumber)

Name of Plumber

License No.

To,

Date \_\_\_\_\_

Executive Engineer,

Building Proposal \_\_\_\_\_ ward,

M.C.G.M.

Subject: Drainage &amp; Sanitation work of proposed development

Building proposal No	
Full Particular of the work	
Building comprising of (no of wings and floors)	
On plot bearing C.S.No./C.T.S.No./F.P.No./ Of Division/village/T.P. Scheme No	
Type of development	
Road Name:	
Ward	
Name of Architect / Licensed Surveyor	
Name of Owner	

This is in reference to the letter of appointment issued by the Owner/Developer, I hereby confirm having agreed to act as Licensed Plumber for the above proposal.

Thanking you,

Yours faithfully,

Name of the Licensed Plumber
License No.
Address:
Tel.No.:
Signature:
Date:

Copies submitted to:

- i) Architect/Licensed Surveyor
- ii) Structural Engineer
- iii) Owner/Developer

**ANNEXURE 7**

**SUPERVISION MEMO OF Site Supervisor**

(On the Letter Head of Site Supervisor)

Name of Site Supervisor

License No.

Date

To,

Executive Engineer, Building Proposal

\_\_\_\_\_ ward, M.C.G.M.

Dear Sir,

Subject: Proposed development work of

Building proposal No	
Full Particular of the work	
On plot bearing C.S.No./C.T.S.No./F.P.No./ Of Division/village/T.P. Scheme No	
Type of development	
Road Name	
Ward	
Name of Architect/ Licensed Surveyor	
Name of Owner	

With reference to the letter of my appointment dated addressed to you, by the Owner, I hereby confirm that I have agreed to act as the Site Supervisor for the above proposal.

I further confirm that the workmanship and material quality and material testing shall be in conformity with the provisions of IS standards and the development work shall be as per approved plans and the structural design etc.

Thanking you,

Yours Faithfully

Name of the Site Supervisor	
Registration No	
Address:	
Tel.No.:	
Signature:	
Date:	

C.C.to:1.Owner.

2.Architect /Licensed Surveyor

**ANNEXURE 8**  
**SUPERVISION MEMO OF OTHER PROFESSIONAL ON RECORD**

(On the Letter Head of Professional)

To,  
Executive Engineer, Building  
Proposal  
\_\_\_\_\_ ward, M.C.G.M.

Name of Professional  
License No.  
Date: \_\_\_\_\_

Dear Sir,

Subject: Proposed development work of

Building proposal No	
Full Particular of the work	
On plot bearing C.S. No./C.T.S .No./F.P. No./ Of Division/village/T.P. Scheme No	
Type of development	
Road Name	
Ward	
Name of Architect /Licensed Surveyor	
Name of Owner	

With reference to the letter of my appointment dated addressed to you, by the Owner, I hereby confirm that I have agreed to act as the for the above proposal.

I further re confirm that the work will be carried out in conformity with the provisions of IS standards and as per requirements of Regulations, Annexure for Duties and Responsibilities of Professional on Record and the development work shall be as per approved plans and the structural design etc.

Thanking you,

Yours Faithfully

Name of the Professional	
Registration No	
Address:	
Tel.No.:	
Signature:	
Date:	

C.C.to:

1.Owner. 2.Architect/Licensed-Surveyor

**ANNEXURE 9**

[Regulations 10 (3) (ix)]

Form for Supervision

To

The .....

Municipal Corporation of Greater Mumbai,

Mumbai.

Sir,

The development/erection/re-erection/demolition or material alteration of the building ..... on Plot No./C.S. No./C.T.S. No. .... of Division/village/Town Planning Scheme No. .... situated at Road/Street.....ward.....will be carried out under my supervision. All the materials (type and grade) and the workmanship of the work will generally tally with the general specifications submitted along with the plans and the work will be carried out according to the sanctioned plans. I shall be responsible for the execution of the work in all respects.

Yours faithfully,

Signature of Licensed/ Surveyor/Engineer/  
Structural Engineer/supervisor of Architect.

Name: ..... (in block letters)

License No: .....

Address: .....

Date: .....



## ANNEXURE-10

## DETAILS OF THE QUALIFICATION, DUTIES, RESPONSIBILITIES AND REGISTRATION PROCESS

Sr. No	Professionals	Qualification	Registration	Duties	Responsibilities
1	Architect	The Architect must have degree in architecture from recognized college/ university and minimum of two years of experience in a practice of architecture.	Registration with the Council of Architecture, India, issued as per the provisions of the Architects Act, 1972	To design and carry out work related to development permission as given below and to submit a) all plans/ documents/ information/ area certification & other details as specified in DCPR connected with development permission; b) Work Start Notice Certificate of plinth completion. Certificate of supervision completion certificate for building with plans.	The Architect/ Licensed Surveyor shall be responsible for designing the building in conformity with these Regulations, for authentication of documents submitted except legal document and for ensuring that the development is carried out as per approved plans, else get amended plans approved and intimating the Authority.
2	Town Planner	The minimum qualification for a town planner shall be the Associate Membership of the Institute of Town Planners or graduate or post graduate degree in town and country planning.	town planner shall be the Associate Membership of the Institute of Town Planners or graduate or post graduate degree in town and country planning.	The registered town planner shall be competent to carry out the work related to the development permit as given below : a) Preparation of plans for land sub division / layout and related information connected with development permit for all areas. b) Issuing of certificate of supervision for development of land of all areas.	Town Planner shall be responsible for designing the building in conformity with these Regulations, for authentication of documents submitted except legal document and for ensuring that the development is carried out as per approved plans, else get amended plans approved and intimating the Authority.

Sr. No	Professionals	Qualification	Registration	Duties	Responsibilities
3	Licensed Surveyor	The "Licensed Surveyor" shall have diploma/ degree in Civil/Construction Engineering from recognized college/board/University or Corporate memberships (civil) of the Institution of Engineers (India) and minimum of 2 years of experience in a practice of relevant field.	Registration with Municipal Corporation with the valid license issued as per the procedure adopted by MCGM	To design and carry outwork related to development permission as given below and to submit a) all plans/documents/information/ area certification & other details as specified in DCR connected with development permission; b) Work Start Notice Certificate of plinth completion. Certificate of supervision completion certificate for building with plans.	The Architect/ Licensed Surveyor shall be responsible for designing the building in conformity with these Regulations, for authentication of documents submitted except legal document and for ensuring that the development is carried out as per approved plans, else get amended plans approved and intimating the Authority.
4	Structural Engineer	The minimum qualifications for a Structural Engineer shall be Graduate in Civil Engineering of recognized Indian or foreign university or Associate Membership in Civil Engineering Division of Institution of Engineers (India) and with minimum 3 years of experience in Structural Engineering Practice with designing and field work.  The 3 years of experience shall be relaxed to 2 years in the case of post graduate degree of recognized Indian or foreign university in the branch of Structural Engineering. In case of Doctorate in Structural Engineering, the experience required would be 1 year	Registration with Municipal Corporation with the valid license issued as per the procedure adopted by MCGM	To carry out work related to development permission as given below and to submit – a) All structural plans and related information connected with development permission b) structural details and calculation of all parts of buildings c) certificate of plinth completion d) Certificate of supervision and completion certificate for building with completion plans.	The structural engineer shall be responsible for the structural safety and stability of development carried out on site. He shall ensure that the development is as per the structural requirements given by him. Further, the structural design given shall match with approved plans. If he notices any difference he shall be responsible for intimating the Authority.

Sr. No	Professionals	Qualification	Registration	Duties	Responsibilities
5	Advocate or Solicitor on Record	<p>The Advocate or Solicitor on Record must hold a valid registration with the Bar Council of India.</p> <p>The Advocate or Solicitor on Record must have a minimum of ten years of experience in a practice of Land related matters.</p>	Registration with the Bar Council of India.	<p>To render services related to development permission and to submit-</p> <p>a) Title Clearance Certificate for the Land under development after exercising the procedure of search etc. at the time of submission of proposal, ownership for each CTS No. along with all rights on proposed development at the time of Submission of proposal.</p> <p>b) Details of any earlier court matters related to land at the time of submission of proposal.</p>	<p>Advocate or Solicitor shall be responsible for certification of title of the land</p> <p>Certifying the authentication of rights of the owner/ developer to carry out development on the land concerned.</p>
6	Site Supervisor	<p>The "Site Supervisor" must hold a diploma in Civil/ Construction Engineering or any other qualification in the field of Civil Engineering recognized by the board / universities in Maharashtra</p> <p>The "Site Supervisor" must have a minimum of two years of experience in Supervision of building works.</p> <p>Note – Earlier registered site supervisor Grade II and Grade III with MCGM may be continued.</p>	Registered with the Municipal Corporation with the valid license issued as per the procedure adopted by MCGM.	To carry out work in accordance with the development permission and approved plans and to submit- Certificate of supervision of buildings and to carry out material testing on site and ensuring the quality of work as per the specifications, NBC & relevant Code of Practice	The Site Supervisor shall be responsible for the workmanship and material quality and tests of material required in development carried out on site. The failure of test results shall be intimated to MCGM. He shall ensure that the development is as per the structural design and approved plans and If he notices any deviation he shall be responsible for intimating the Authority.

Sr. No	Professionals	Qualification	Registration	Duties	Responsibilities
7	Licensed Plumber	The "Licensed Plumber" must hold a diploma in Civil Engineering or any other qualification in the field of Civil Engineering recognized by the board / universities in Maharashtra. Licensed Plumber must have a minimum of two years of experience in Plumbing works.	Registered with Municipal Corporation with the valid license issued as per the procedure adopted by MCGM.	To carry out plumbing work related to development permission and approved plans and to submit- a) Certificate of supervision of buildings for Plumbing & water supply and to carry out details and calculations of all parts of building w.r.t. Plumbing & bye law 4(c) according to approved development permission and b) Drainage Completion Certificate along with plans.	The Licensed Plumber shall be responsible for the workmanship and material quality and tests of material required for plumbing and water supply. The failure of test results shall be intimated to MCGM. He shall ensure that the plumbing layout proposed is as per approved plans and If he notices any deviation he shall be responsible for intimating the Authority.
8	Consultant for Rain Water Harvesting	The Consultant for Rain Water Harvesting (RWH) must hold a Diploma/Degree in Civil Engineering. The Consultant for Rain Water Harvesting on record must have a minimum of two years of experience in the field practice in RWH.		To carry out work related to Rain Water Harvesting and to submit- a) Certificate & all related information connected with development permission for Rain Water Harvesting; b) Details for Rain Water Harvesting system with proposal/ plans. c) Completion Certificate with respect to Rain Water Harvesting for Building stating that RWH system has been installed and tested.	The Consultants for Rain Water Harvesting shall be responsible for the work of Rain Water Harvesting carried out on site as per approval. He shall ensure that the work is carried out as per approval and If he notices any deviation he shall be responsible for intimating the Authority.

Sr. No	Professionals	Qualification	Registration	Duties	Responsibilities
9	Consultant for Grey Water Recycle	<p>The Consultant for Grey Water Recycle must hold a degree in Environmental/Public Health /Civil Engineering.</p> <p>The Consultant for Grey Water Recycle on record must have a minimum of two years of experience in a field practice in gray water recycling.</p>		<p>To carry out work related to Grey Water Recycle and to submit-</p> <p>a) certificate &amp; all related information connected with development permission for Grey Water Recycling;</p> <p>b) Details for Grey Water Recycling Plant with proposal / plans.</p> <p>c) Completion Certificate with respect to completion plan respect to Grey water</p>	<p>The Consultants for Grey Water Recycle shall be responsible for the work of Grey Water Recycle carried out on site as per approval. He shall ensure that the work is carried out as per approval</p> <p>And If he notices any deviation he shall be responsible for intimating the Authority.</p>
10	Consultant for conservation of Energy	<p>The Consultant for Conservation of Energy must hold any valid degree in Electrical/Mechanical Engineering and must have a minimum of two years of experience in a field practice in energy conservation.</p>		<p>a. To submit certificate &amp; all related information connected with Conservation of Energy;</p> <p>b. To submit details for Conservation of Energy Plant with proposal for implement in.</p> <p>c. To submit Completion Certificate with completion plan with respect to Conservation of Energy for building</p>	<p>The Consultants for Conservation of Energy shall be responsible for the work of Conservation of Energy carried out on site as per approval and the ECBC codes. He shall ensure that the work is carried out as per approval and If he notices any deviation he shall be responsible for intimating the Authority</p>
11	Consultant for Fire Safety Measures	<p>Fire Protection Consultant shall be a licensed agency under the Fire Prevention &amp; Fire Safety Measures Act, 2006.</p>	<p>Must be registered with Director, Maharashtra Fire Services</p>	<p>To carry out work related to development permission with respect to Fire Safety measures and to submit-</p> <p>a) Certificate &amp; all related information</p>	<p>The consultant for fire protection shall be responsible for design and implementation of firefighting system and shall also responsible for its implementation on site in consultation with fire department</p>

Sr. No	Professionals	Qualification	Registration	Duties	Responsibilities
				<p>concerned with development permission in accordance with requirement of FireAct2008;</p> <p>b) details for fire safety measures for all parts of building</p> <p>Completion Certificate along with plans for building stating all fire safety measures as per CFO NOC has been installed and tested with completion plans.</p>	<p>of MCGM.</p>
12	Consultant for Heating/Ventilation and Air Condition (HVAC)	HVAC Consultant shall be a graduate in Electrical Engineering and must possess minimum two years of experience in installation of HVAC		<p>To carry out work related to HVAC system and to submit</p> <p>a) Certificate &amp; all related information concerned with HVAC;</p> <p>b) details for HVAC for implementation.</p> <p>Completion Certificate along with plans with respect to HVAC installation, their testing and proper functioning.</p>	The consultant for HVA Can be responsible for planning, designing and implementation of HVAC system as per the NBC and relevant code of practices.
13	Consultant for Solid Waste Management (SWM)	SWM Consultant shall be a graduate in Civil/Environmental Engineering or Environmental Planning and must possess minimum two years of experience in field of SWM.		<p>To carry out work related to SWM system and to submit-</p> <p>a) Certificate &amp; all related information concerned with SWM;</p> <p>b) Details for SWM for implementation regarding waste segregation, onsite treatment and disposal.</p>	The consultant for SWM shall be responsible for planning, designing and implementation of SWM system as per the NBC and relevant code of practices.

Sr. No	Professionals	Qualification	Registration	Duties	Responsibilities
				c) Completion Certificate along with plans with respect to SWM system installation, their testing and proper functioning.	

**Note:- Latent Defect Liability :—**

(a) Any or all of the following shall be held liable for any structural flaws or defects in the building with BUA 750 sq.mt. and above for period of Ten (10) years after the date of grant of occupation cum building completion certificate, except in case of natural calamities, damages, due to war, riots,

- i. Architect/License Surveyor
- ii. Structural Engineer
- iii. Site Supervision/Site Engineer :
- iv. Construction Company including contractor, sub-contractor
- v. Consultants appointed for various activities involved in the construction work.

(b) The above mentioned professional and the Construction Company including contractor and sub-contractor may take decennial professional liability insurance to cover such liability.

ANNEXURE 11

Regulation (10) (5)(i)

Form of sanction of development permission, building permission and Commencement certificate.

To

.....  
.....  
.....

Sir,

With reference to your application No. ....dated.....for Development Permission and grant of Commencement Certificate under sections 44 and 69 of the Maharashtra Regional and Town Planning Act, 1966, to carry out development and building permission under section 346 of the Mumbai Municipal Corporation Act 1888, to erect/additions /alterations to building .....

On plot No./CS/C.T.S./F P No.....Div./village/Town Planning Scheme no.....situated at Road/street.....ward.....the Commencement certificate/building permit is granted on the following conditions :-

- 1. The land vacated in consequence of the enforcement of the set-back line/road widening line shall form part of the public street.
- 2. No new building or part thereof shall be occupied or allowed to be occupied or used or permitted to be used by any person until occupancy permission has been granted.
- 3. The commencement certificate/development permission shall remain valid for one year commencing from the date of its issue.
- 4. This permission does not entitle you to develop land which does not vest in you.
- 5.....
- 6.....

Yours faithfully,

Executive Engineer (Building Proposal)(.....Ward)

Municipal Corporation of Greater Mumbai.

Office No. ....

Office Stamp .....

Date .....



ANNEXURE 12

[Regulation 10(5) (i)]

Form of refusal of Development Permission, Building Permission and Commencement Certificate

To

.....  
.....  
.....

Sir,

With reference to your application

No.....dated.....for the grant of sanction of the development works;  
the erection of a building/execution of work for Building on .....plot  
No./C.S.No./C.T.S.No/F.P No .of.....Divn./Village/Town Planning Scheme  
No.....Situated at..... Road/Street  
.....Ward....., I regret to inform you that the sanction is  
refused on the following grounds under Section 346 of the Mumbai Municipal Corporation Act, 1888, and  
under Section 45/69 of the Maharashtra Regional and Town Planning Act, 1966.

- 1. ....
- 2. ....
- 3. ....
- 4. ....
- 5. ....
- 6. ....

Yours faithfully,

Executive Engineer, (Building Proposal)(.....Ward)

Municipal Corporation of Greater Mumbai.

Office No. ....

Office Stamp .....

Date .....

ANNEXURE 13

[Regulations No.11(2) and Section 347(i)(a) of the Mumbai Municipal Corporation Act, 1888]

Form of Notice for Start of Work

To

The Executive Engineer  
(Building Proposal),.....Ward,  
Municipal Corporation of Greater Mumbai,  
Mumbai.

Sir,

The development work/erection/re-erection/demolition or material alteration in/of Building No.  
.....on/in Plot No./C.S. No./C.T.S.No/F.P No. ....Division/Village/Town  
Planning Scheme No.

.....situated at .....Street/Road .....Ward  
.....will start on .....in accordance with your permission  
No.  
.....date.....

Under the supervision of .....

Licensed Surveyor/ Engineer /Structural Engineer/ Supervisor, or Architect License No

.....and in accordance with the plans sanctioned.

Yours faithfully,

Signature of Owner .....

Name of the Owner .....

In Block Letters .....

Address of Owner .....

Date: .....

ANNEXURE 14

[Regulations No.11(4)]

Form of intimation of Completion of Work upto Plinth Level

To

The Executive Engineer  
(Building Proposal) .....Ward,  
Municipal Corporation of Greater Mumbai.

Sir,

The construction upto plinth/column upto plinth level has been completed in Building  
No.....on/in Plot No./C.S. No./ C.T.S.No/F.P No. ....  
Division/Village/Town Planning Scheme No. ....  
Road/Street.....Ward.....in accordance with your  
permission No. ....dated .....under my supervision and in  
accordance with the sanctioned plan.

Please check the completed work and permit me to proceed with the rest of the work.

Yours faithfully,

Signature of Licensed Surveyor/  
Engineer/Structural Engineer/Supervisor or Architect  
Name.....(in block letters)  
Address.....  
Date : .....

ANNEXURE 15

[Regulations No.11(4)]

Form of Approval/Disapproval of Development Work upto Plinth Level

To

.....  
.....

Sir,

Please refer to your intimation No. ....dated .....regarding the completion of construction work up to plinth/columns up to plinth level in Building No.....on/in Plot No/C.S. No./C.T.S. No/F.P No. ....Division/Village/Town Planning Scheme No. ....situated at .....Road/Street .....Ward .....You may/may not proceed with the further work as per sanctioned plans/as the construction up to plinth level does/does not conform to the sanctioned plans.

Yours faithfully,

Executive Engineer (Building Proposal (.....Ward)

Municipal Corporation of Greater Mumbai.

Office No. ....

Office Stamp .....

Date : .....

ANNEXURE 16

(Regulations No.11(6)& (7))

Form for Development completion certificate

To

The executive Engineer  
(Building Proposal),.....Ward,  
Municipal Corporation of Greater Mumbai,

Sir,

I certify that the erection/re-erection or part/full development work in/on building/part building No. ....on/in Plot No., C.S.No./C,T,S, No/F.P No. ....

Division/Village/Town Planning Scheme No. .... Situated at.....  
Road/Street.....Ward.....

has been supervised by me and has been completed on.....according  
to the plans sanctioned (office communication No. ....

dated.....). The work has been completed to my best satisfaction the workmanship and all the materials (type and grade) have been used strictly in accordance with general and detailed specifications. No provisions of the Act or Development Control Regulations or no requisitions made, conditions prescribed or orders issued thereunder have been transgressed in the course of the work. I am enclosing three copies of the completion plans, one of which is cloth mounted. The building is fit for occupancy for which it has been erected/re-erected or altered, constructed and enlarged.

I have to request you to arrange for the inspection and give permission for the occupation of the building.

Yours faithfully,

Signature of Licensed surveyor/Engineer/Architect/

Structural Engineer/Site Supervisor/ Architect.

Name ..... (In Block letters)

Address .....

License No.....

Date : .....

ANNEXURE 17

(Regulations No. 11(6))

(See sub-section (3) of section 259-A of the Mumbai Municipal Corporation Act, 1888)

Drainage Completion Certificate

To

Assistant Engineer.....

.....

Sir,

The following work .....

.....(insert full particulars of the work) has been completed to my satisfaction; the workmanship and the whole of the materials used are good; and no provision of the Act or the Development control Regulations or building Bye-laws and no requisition made, condition prescribed or order issued there under, has been transgressed in the course of the work,

Yours faithfully,

Signature of Licensed Plumber.....

Name (in Block letters) .....

Address .....

Licence No. ....

Date : .....

**ANNEXURE 18**  
**(Regulations No. 11(6))**

**(See sub-section (I) of section 353-A of the Mumbai Municipal Corporation Act, 1888)**

**Building completion Certificate**

To

Executive Engineer.....

Sir,

The following building work (insert full particulars of the work) has been supervised by me and has been completed to my satisfaction; the workmanship's and the whole of the materials used are good; and no provision of the Act or the Regulations, Bye-laws and no requisitions made, condition prescribed or order issued there under, has been transgressed in the course of the work.

Yours faithfully,

Signature of Licensed Surveyor/  
Engineer/Structural  
Engineers/Supervisor or Architect,

Name (in block letters)\_\_\_\_\_

Address .....

Date : .....

License No. ....

ANNEXURE 19  
(Regulations 11(6) and 11 (7))

Form of Acceptance of Drainage Completion Certificate

Municipal Corporation of Greater Mumbai

No.....of

To,

.....

Subject :

Reference :

Sir,

The Completion certificate submitted by you on .....for the above work is hereby accepted

Yours faithfully)

Executive Engineer/Asst. Engineer.....Dn.

Municipal Corporation of Greater Mumbai

Zone .....

Date :

Office Stamp :

No. ....of

Copy forwarded to

.....Dn.

The Assistant Engineer/

Executive Engineer,

Development Plan/

Chief Engineer,

Vigilance,

.....For information

Executive Engineer Zone.....



ANNEXURE 20  
(Regulation 11(7))

Form for Occupancy certificate

To

.....  
.....  
.....

Sir,

The part/full development work/erection/re-erection or alteration in/of building/part building No. ....on/in Plot No. ....

Block No. ....situated at .....Road/

Street .....C.S No/C.T.S. No/F.P no. S. No.  
Division/Village/Town Planning scheme No. ....Situating at.....

Road/Street.....Ward.....

..... completed under the supervision of .....

Licensed surveyor/Engineer/Structural Engineer/Supervisor, Architect/License No.....

.....may be occupied on the following conditions:-

- 1)
- 2)
- 3)
- 4).....
- .....

A set of certified completion plans is returned herewith.

Yours faithfully,

Executive Engineer(Building Proposal) (.....Ward)

Municipal Corporation of Gr. Mumbai.

Office No. ....

Office Stamp.....

Date .....

ANNEXURE 21  
(Regulation 11(8))

Form of Indemnity for Part Occupancy Certificate

To

.....

Municipal Corporation of Greater Mumbai

Mumbai.

Subject:

Sir,

While thanking you for letting me occupy a portion of the above building before acceptance of the Completion Certificate of the whole building for the plans approved in communication No. .... dated ..... I, \*indemnify the Municipal Corporation of Greater Mumbai against any risk, damage and danger which may occur to occupants and users of the said portion of the building and also undertake to take necessary security measures for their safety. This undertaking will be binding on me/us, our heirs, administrators and our assignees.

Yours faithfully,

Signature of Owner .....

Name of the Owner .....

(in block letters)

Witness

(Signature and name in block letters) .....

Address : .....

.....

Date : .....

\*of such value as decided by the Commissioner.

ANNEXURE 22  
(Regulations 11(6))

Form of Acceptance of Completion Certificate

Municipal Corporation of Greater Mumbai

No.....of

To

.....

Subject:

Reference:

Sir,

The Completion certificate submitted by you on .....for the above work is hereby accepted and the premises may be occupied.

Yours faithfully,

Executive Engineer/Asst. Engineer.....Dn.

Municipal Corporation of Greater Mumbai

Zone .....

Date :

Office Stamp:

No. ....of

Copy forwarded to

.....Dn.

The Assistant Engineer/

Executive Engineer,

Development Plan/

Chief Engineer,

Vigilance,

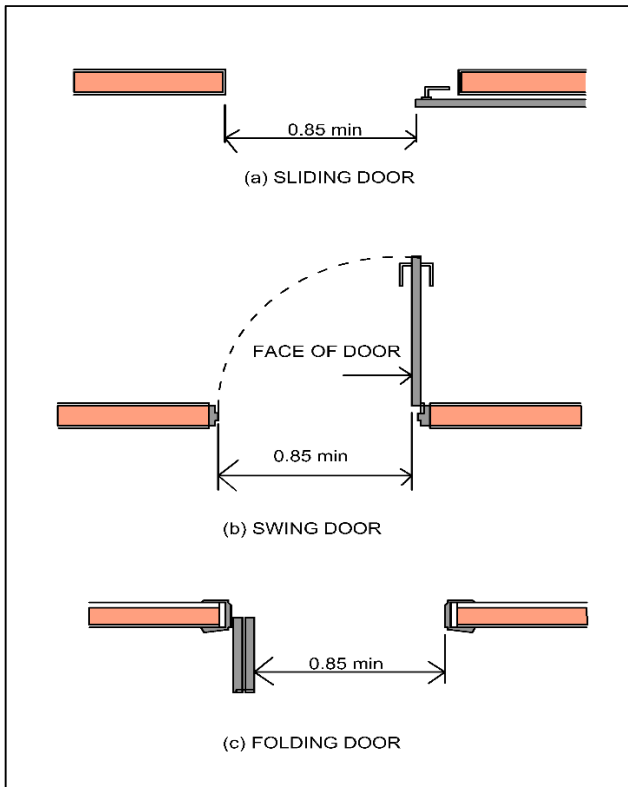
.....For information

Executive Engineer Zone.....

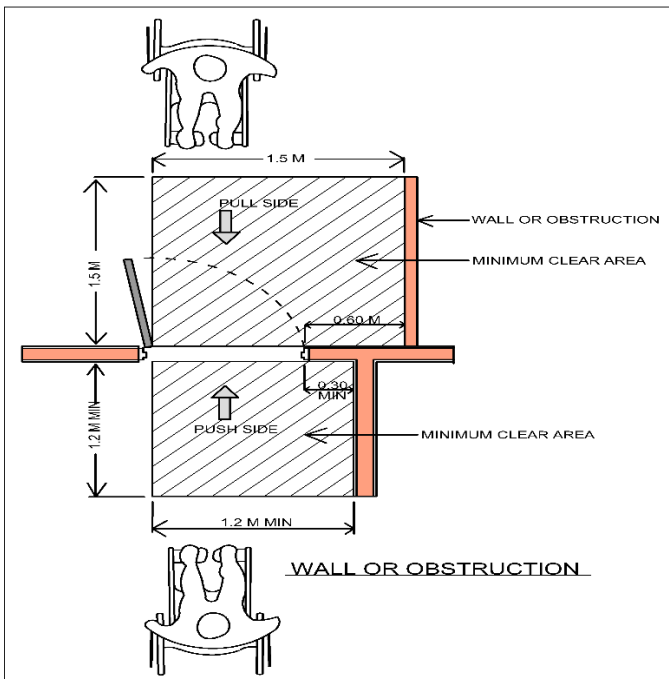
ANNEXURE 23

Sketches

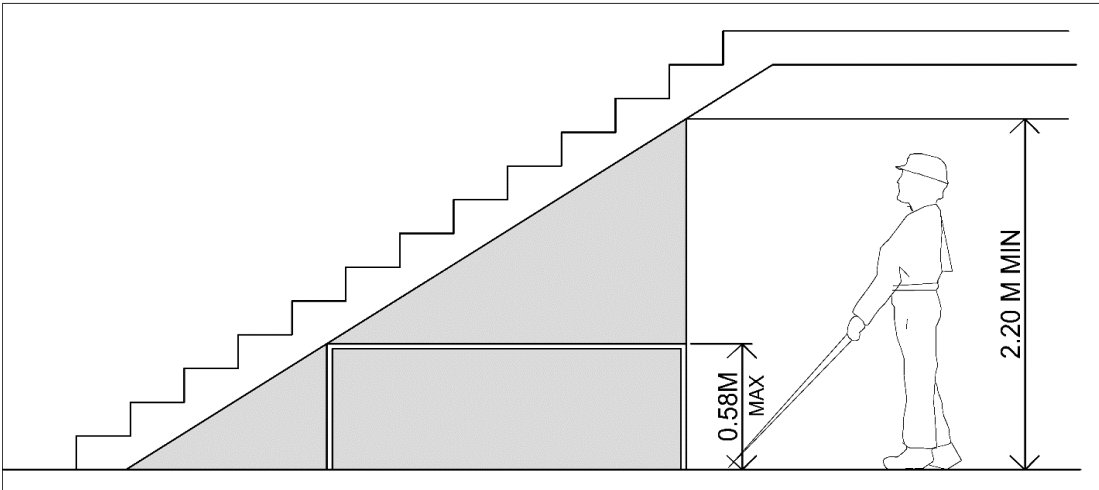
Sketch No 1



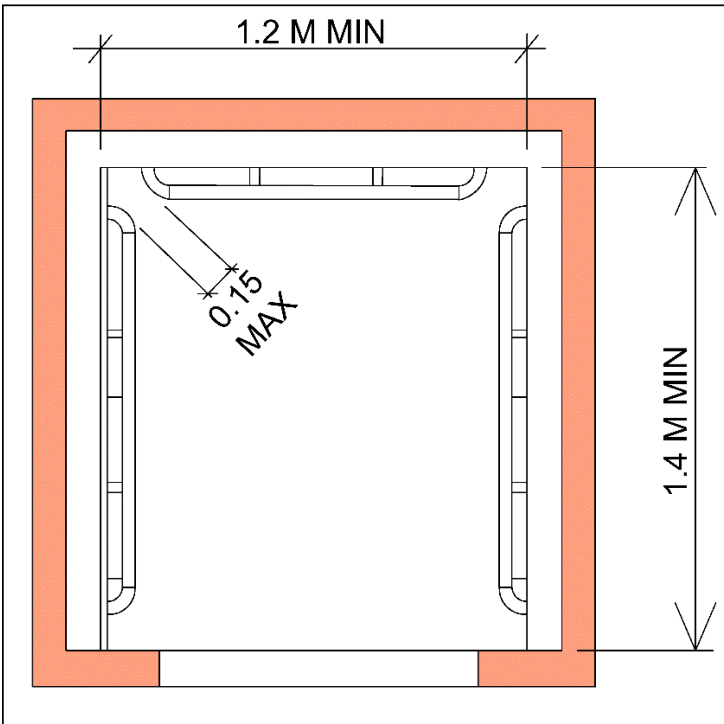
Sketch No.2

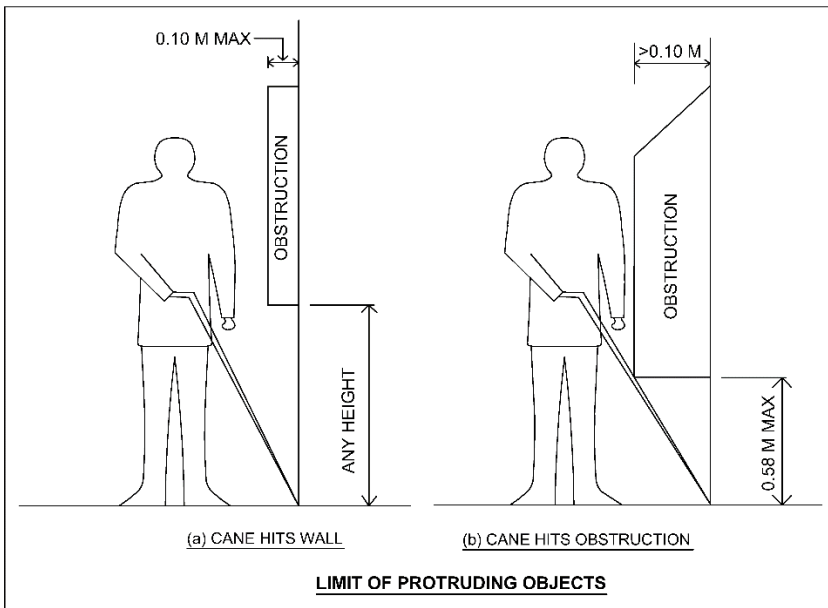


Sketch No. 3



Sketch No. 4





Sketch No 5

Sketch No. 6

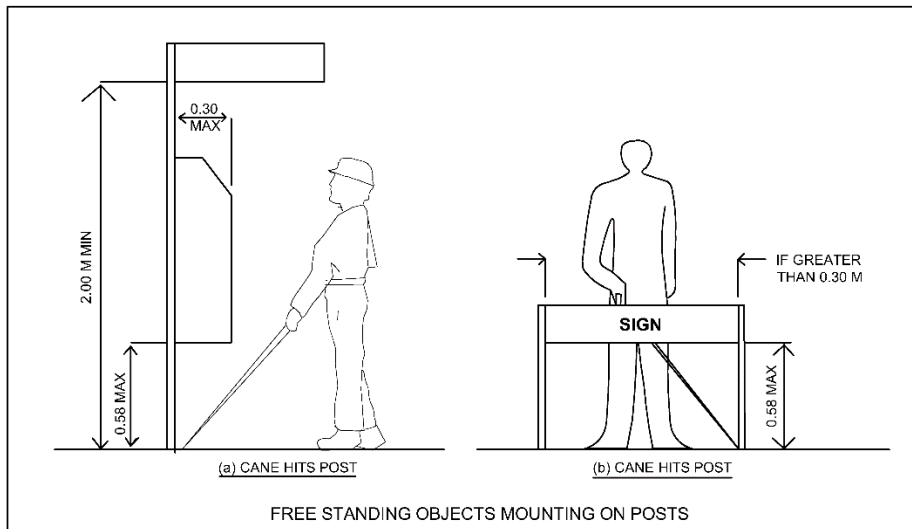
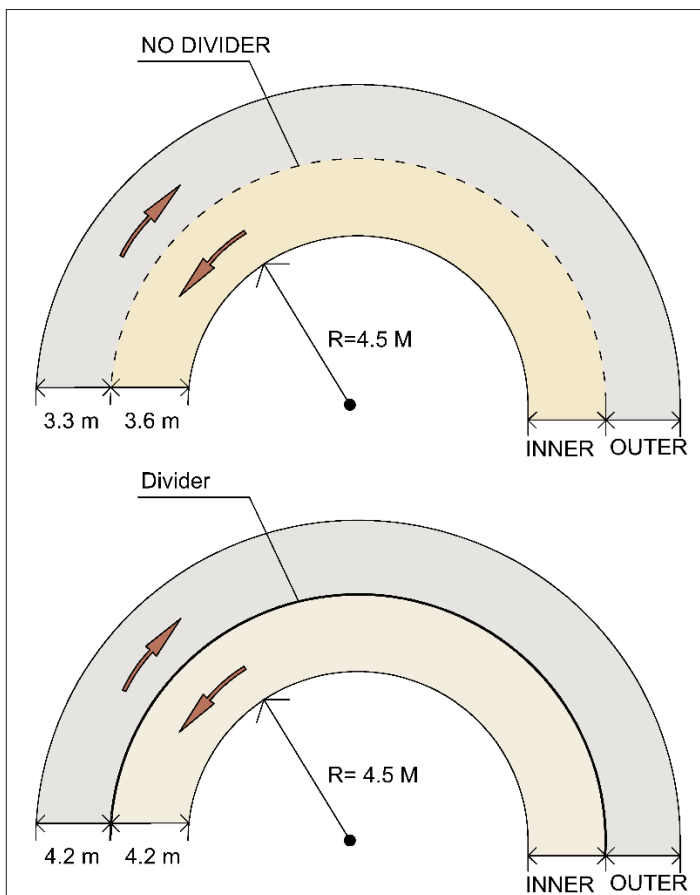
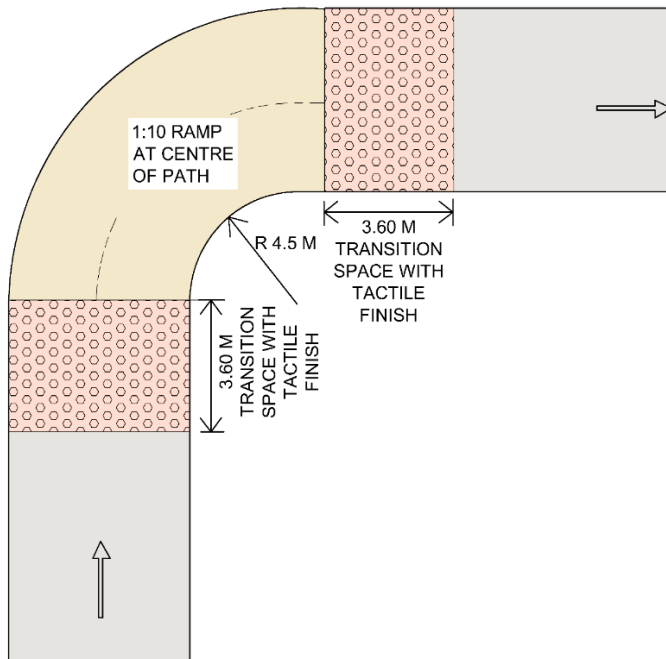


Fig 7- Illustrative example:



Note – Sketches not to scale

**Annexure 24**  
**Appropriate Authority**

Sr. No	Reservation main Category	Reservation Sub Category		Appropriate Authority
		Code	Name	
1	Education	RE1.1	Municipal School	MCGM
2		RE1.2	Primary and Secondary School	MCGM / School Education & Sports Department, GOM
3		RE1.3	Special School	Social Justice & Special Assistance Department, GOM
4		RE2.1	Higher Education	Higher & Technical Education Department, GOM
5		RE3.1	Other Education	Higher & Technical Education Department, GOM (In case of Medical College - Medical Education & Drug Department, GOM)
6		RE 4.1	Urban Planning Institute	Higher & Technical Education Department, GOM
7		RE 4.2	Medical Institute	MCGM/Medical Education & Drug Department, GOM
8		RE 4.3	Financial Institute	Higher & Technical Education Department, GOM
9		RE 4.4	Other Institutes	Higher & Technical Education Department, GOM
10	Health	RH1.1	Municipal Dispensary/ Health Post	MCGM
11		RH1.2	Hospital	MCGM/ Medical Education & Drug Department, GOM / Public Health Department, GOM
12		RH1.3	Municipal Maternity Home	MCGM
13		RH3.1	Rehabilitation Centre	MCGM/ Social Justice and Special Assistance Department, GOM



Sr. No	Reservation main Category	Reservation Sub Category		Appropriate Authority
		Code	Name	
14		RH3.4	Veterinary Hospital	MCGM / Agriculture, Animal Husbandry Department, GOM
15	Municipal Services	RMS1.1	Road Depot	MCGM
16		RMS1.2	Municipal Chowky	MCGM
17		RMS1.3	Municipal Facilities	MCGM
18		RMS2.1	Transport Garage	MCGM
19		RMS3.1	Solid Waste Management Facilities and Allied Activity	MCGM
20		RMS3.2	Land Fill Site	MCGM
21		RMS3.3	Scrap Yard	MCGM
22		RMS4.1	Sewage Treatment Plant/Facilities	MCGM
23		RMS4.3	Sewage Pumping Station	MCGM
24		RMS5.1	Reservoir	MCGM
25		RMS5.2	Water Pumping Stations	MCGM
26		RMS5.3	Water Treatment Plant	MCGM
27		RMS5.5	Hydraulic Engineering Store/Office	MCGM
28		RMS6.1	Storm Water Pumping Station	MCGM
29	Public Offices	RO1.3	Municipal Office	MCGM
30		RO2.1	Government Office	Concerned Department of State/Central Govt.
31		RO3.1	Disaster Management Facility	MCGM
32		ROS1.2	Promenades	MCGM
33		ROS1.4	Play Ground	MCGM

Sr. No	Reservation main Category	Reservation Sub Category		Appropriate Authority
		Code	Name	
34	Public Open Spaces	ROS 1.5	Garden/ Park	MCGM
35		ROS2.1	Club/ Gymkhana	MCGM
36		ROS2.3	Zoo	MCGM
37		ROS2.4	Municipal Sports Complex	MCGM
38		ROS2.5	Sports Complex/ Stadium	MCGM / School Education & Sports Department GOM
39		ROS2.8	Botanical Garden	MCGM
40		Primary Activity	RP1.1	Fish & Net Drying yards
41	RP2.1		Dhobi Ghat	MCGM
42	Public Utilities & Facilities.	RPU 1.1	Fire Station	MCGM
43		RPU2.1	Fuel Station	Ministry of Petroleum, GOI /Fuel Supply Companies recognized by Ministry of petroleum
44		RPU 3.1	Police Station	Home Department, GOM
45		RPU 3.2	Police Chowky	Home Department, GOM
46		RPU3.3	Correction Facilities	Home Department, GOM
47		RPU3.4	Police Facilities	Home Department, GOM
48		RPU 3.5	Courts	Law & Judiciary Department, GOM
49		RPU4.1	Post &Telegraphic Office	Post & Telegraph Department of GOI.
50		RPU5.2	Electricity Transmission &Distribution Facility	Energy Department, GOM/ Authorized Electric Supply Provider like MSEB / BEST/ Reliance Energy / Tata etc.
51		RPU 6.1	Service Industrial Estate	MCGM

Sr. No	Reservation main Category	Reservation Sub Category		Appropriate Authority
		Code	Name	
52	Housing	RR1.1	Municipal Staff Quarters	MCGM
53		RR1.2	Police Staff Quarters	Home Department, GOM
54		RR1.3	Government Staff Quarters	Concerned Department of State/Central Govt
55		RR 1.5	Municipal Housing	MCGM
56		RR1.6	Police Housing	Home Department, GOM.
57		RR1.7	Government Housing	Concerned Department of State/Central Govt
58		RR2.1	Rehabilitation & Resettlement	MCGM
59		RR2.2	Social Housing	MCGM
60		RR3.1	Koli Housing	MCGM
61		Social Amenities	RSA1.1	Municipal Market with Vending Zone
62	RSA1.2		Retail Market with Vending Zone	MCGM
63	RSA2.1		Multi-Purpose Community Centre	MCGM.
64	RSA2.7		Students Hostel	MCGM / Social Justice and Special Assistance Department, GOM/Women & Child Welfare Department, GOM
65	RSA2.9		Homeless Shelter	MCGM
66	RSA3.3		Cultural Centre/ Drama Theatre/Theater	MCGM /Tourism & Cultural Affairs, GOM

Sr. No	Reservation main Category	Reservation Sub Category		Appropriate Authority	
		Code	Name		
67		RSA3.5	Museum	MCGM /Tourism & Cultural Affairs, GOM	
68		RSA3.6	Art Gallery	MCGM /Tourism & Cultural Affairs, GOM	
69		RSA3.7	Leisure Park	MCGM	
70		RSA4.8	Cemetery	MCGM	
71		RSA4.9	Old Age Home	MCGM	
72		RSA5.2	Multi-Purpose housing for working Women	Women & Child Welfare Department, GOM	
73		RSA6.1	Care Centre	MCGM	
74		RSA6.2	Adhar Kendra with skill development centre	MCGM / Skill Development Department, GOM	
75		RSA6.3	Public Convenience	MCGM	
76		RSA 7.1	Film Studio/ TV Studio	Tourism & cultural Affair Department, GOM	
77		RSA 8.1	Animal shelter	Agriculture, Animal Husbandry Department, GOM	
78		Transport	RT1.1	Truck Terminus	MCGM/Transport Department, GOM
79			RT1.2	State Transport Depot	Transport Department GOM
80			RT1.4	BEST Bus Facilities	BEST
81	RT1.6		Parking Lot	MCGM	
82	RT2.1		Water Transport Terminal	Port and Transport Department, GOM	
83	RT2.2		Jetty	Port and Transport Department, GOM	
84	RT3.1		Metro/Mono Rail Car shed	Urban Development Department, GOM	

Sr. No	Reservation main Category	Reservation Sub Category		Appropriate Authority
		Code	Name	
85		RAM	Reservation Amenity	MCGM
86	Higher Education	RE 2.1	National Law University	concerned Department of Govt. of Maharashtra

## ANNEXURE 25

## Abbreviation of criteria (classification) for heritage listing

(a) Value for architectural historical or cultural reasons	.. A
-- architectural .. A(arc)	
-- historical	.. A(his)
-- cultural	.. A(cul)
(b) The date and / or design and / or unique use of the building or artefact	.. B
-- period	.. B(per)
-- design	..B(des)
-- use	..B(uu)
(c) Relevance to social or economic history	..C(seh)
(d) Association with well-known persons or events	..D(bio)
(e) A building or groups of buildings and / or areas of a distinct architectural design and / or style historic period or way of life having sociological interest and / or community value.	E
-- style	
-- historical	
(f) The unique value of a building or architectural features or artefact and / or being part of a chain of architectural development that would be broken if it were lost.	F
(g) Its value as a part of a group of buildings	..G(grp)
(h) Representing forms of technological development	..H(tec)
(i) Vistas of natural / scenic beauty or interest, including water-front areas, Distinctive and / or planned lines of sight, street line, skyline or topographical.	.. I(sce)
(j) Open spaces sometimes integrally planned with their associated areas having a distinctive way of life and for which are and have the potential to be areas of recreation.	J